



US00D400669S

United States Patent [19]
Hannigan

[11] **Patent Number: Des. 400,669**

[45] **Date of Patent: **Nov. 3, 1998**

[54] **BASEBOARD HEATER COVER**

Attorney, Agent, or Firm—Collard & Roe, P.C.

[76] Inventor: **Mark Hannigan**, 1205 Saxon Ave.,
Bay Shore, N.Y. 11706

[57] **CLAIM**

[**] Term: **14 Years**

The ornamental design for a baseboard heater cover, as shown and described.

[21] Appl. No.: **82,754**

DESCRIPTION

[22] Filed: **Jan. 6, 1998**

FIG. 1 is a perspective view of my design for a baseboard heater cover;

[51] **LOC (6) Cl. 23-03**

FIG. 2 is a front view thereof;

[52] **U.S. Cl. D23/389; D23/386**

FIG. 3 is a rear view thereof;

[58] **Field of Search D23/386-393;
D25/121; 454/287**

FIG. 4 is a side view thereof, the opposite side being a mirror image of that shown;

FIG. 5 is a top view thereof; and,

FIG. 6 is a bottom view thereof.

[56] **References Cited**

U.S. PATENT DOCUMENTS

D. 149,300	4/1948	Reinecke	D23/335
D. 164,421	9/1951	Hodgman	D23/389
1,488,090	3/1924	Buttr	D23/389
2,839,659	6/1958	Cotts et al.	D23/389

The baseboard heater cover has been shown broken-away in the middle in FIGS. 1, 2, 3, 4, 5 and 6 to indicate indeterminate length. The broken-line showing of environmental structure in FIG. 1 is for illustrative purposes only and forms no part of the claimed design.

Primary Examiner—Lisa Lichtenstein

1 Claim, 2 Drawing Sheets

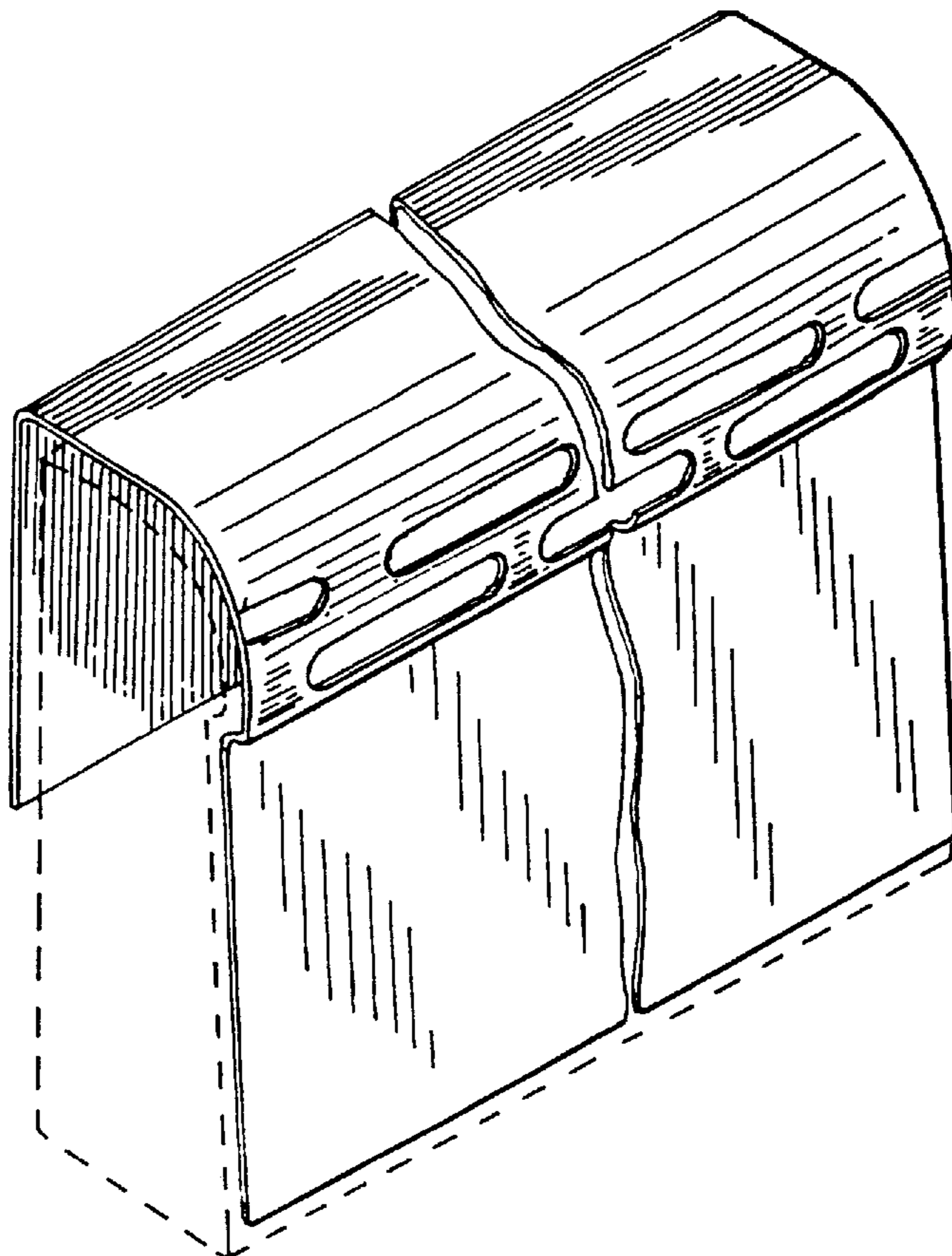


FIG. 1

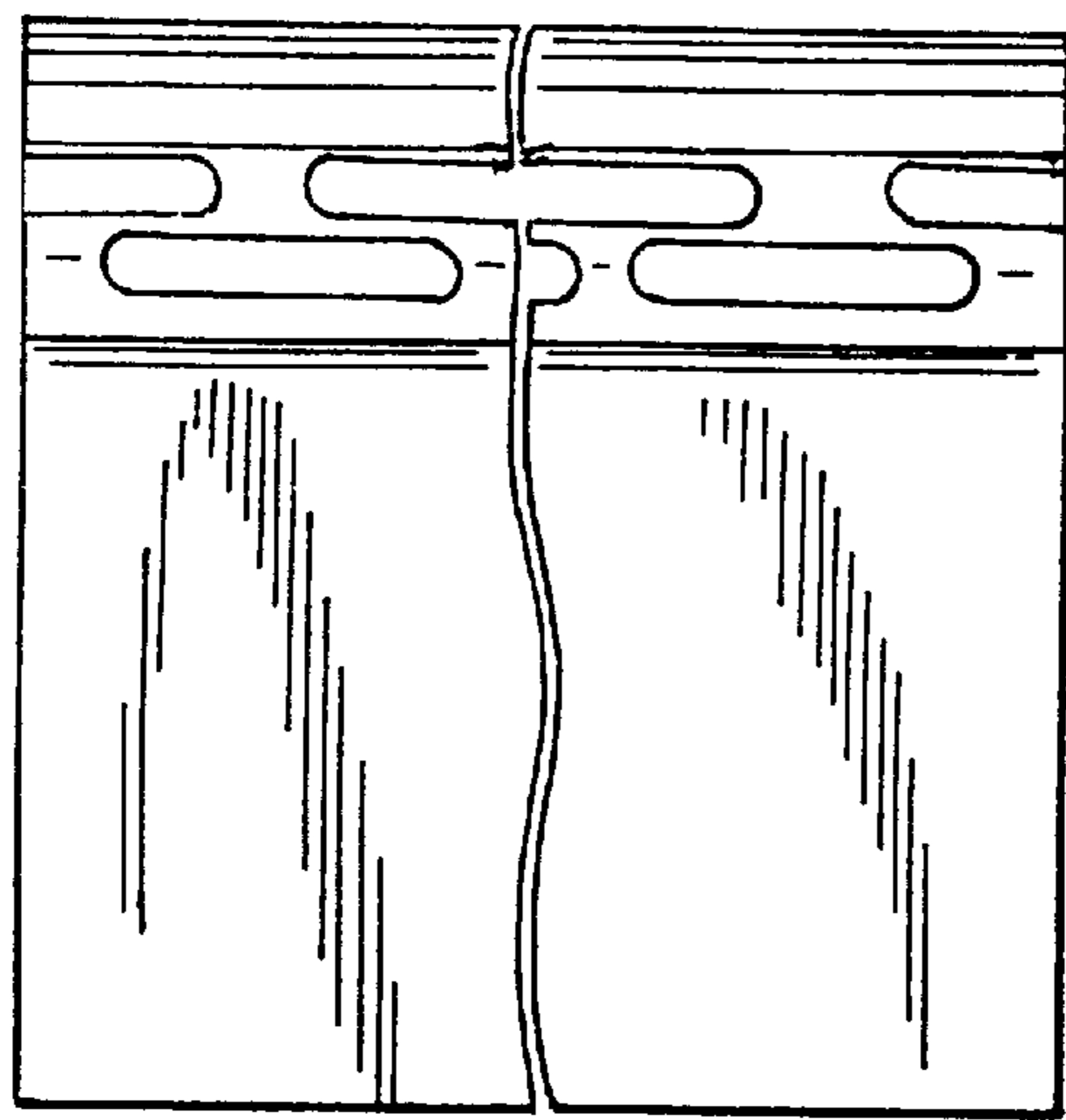
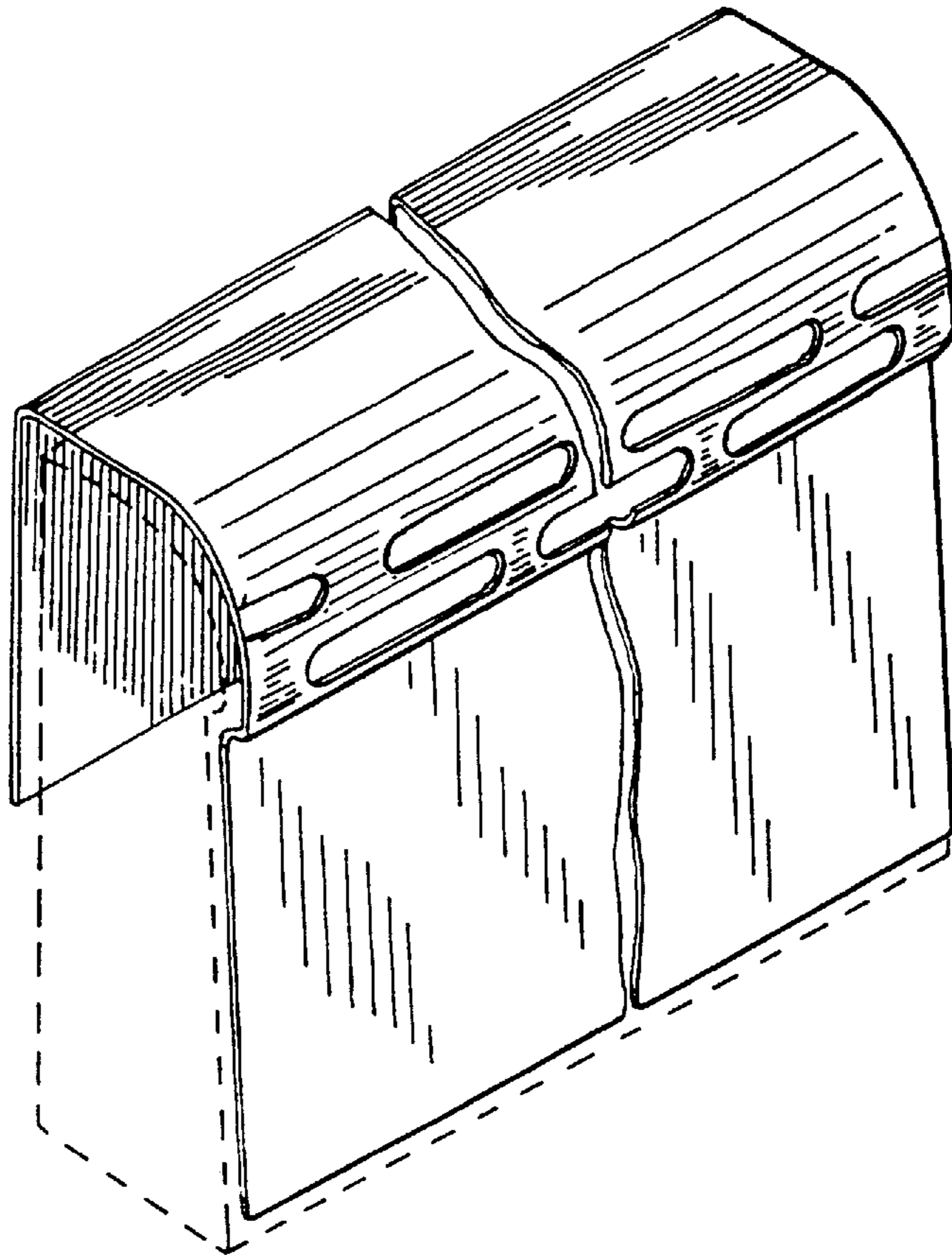


FIG. 2

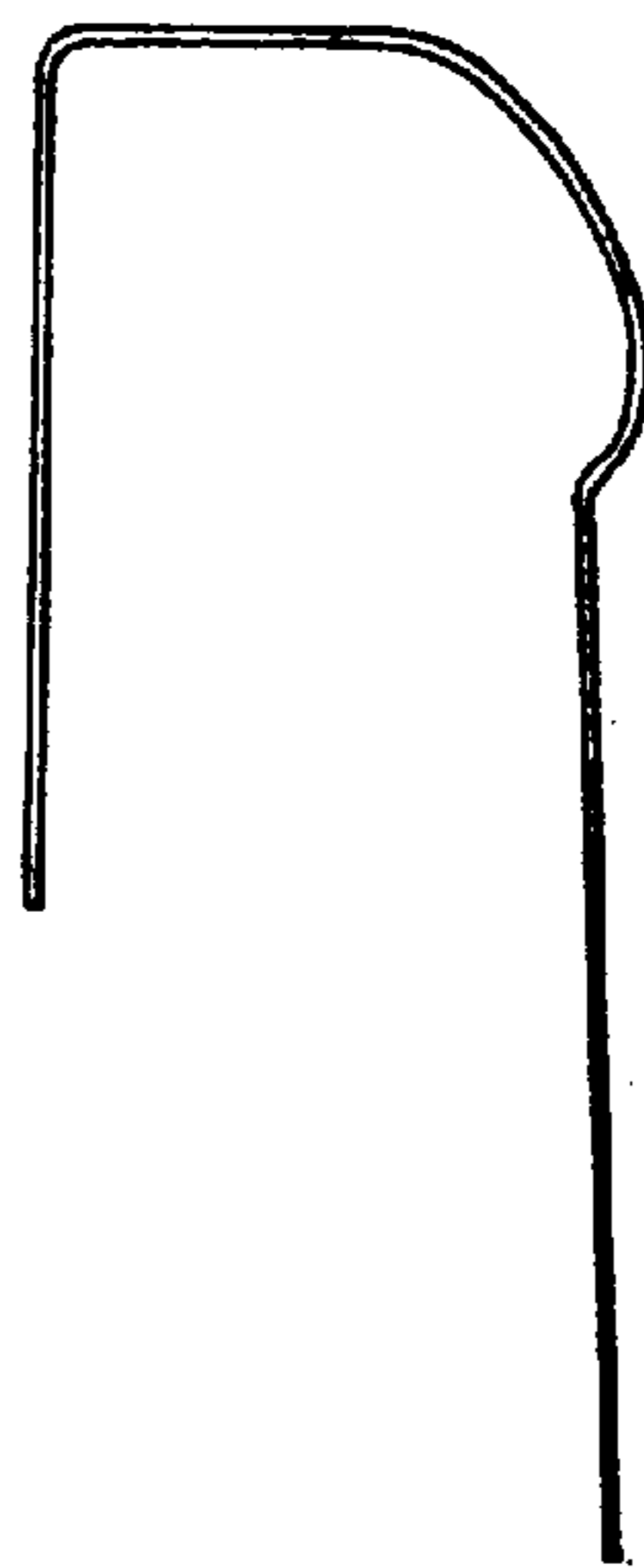


FIG. 4

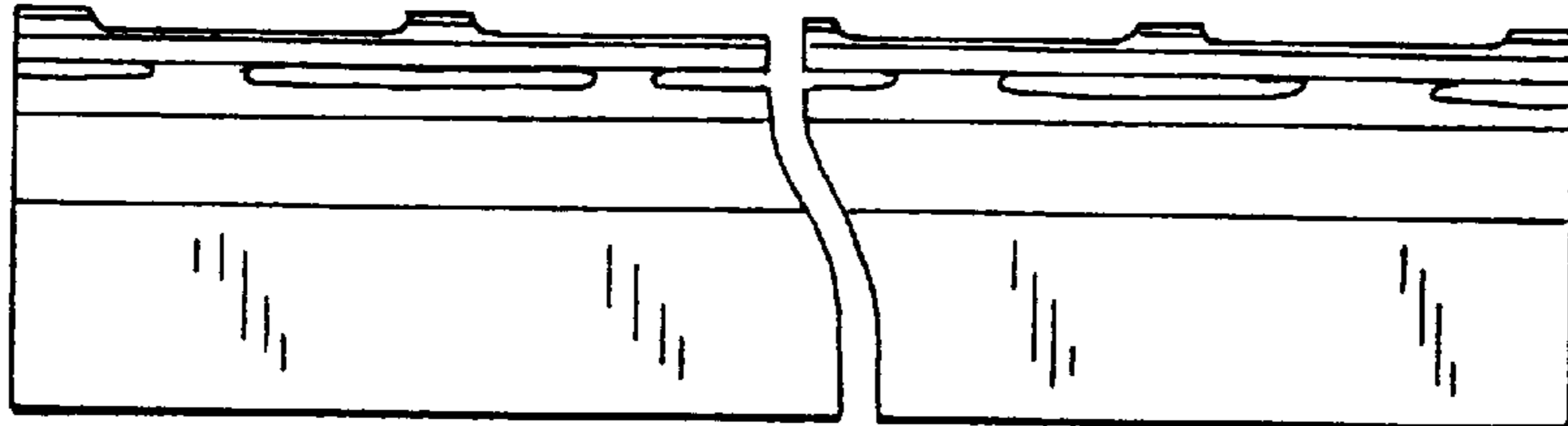


FIG. 5

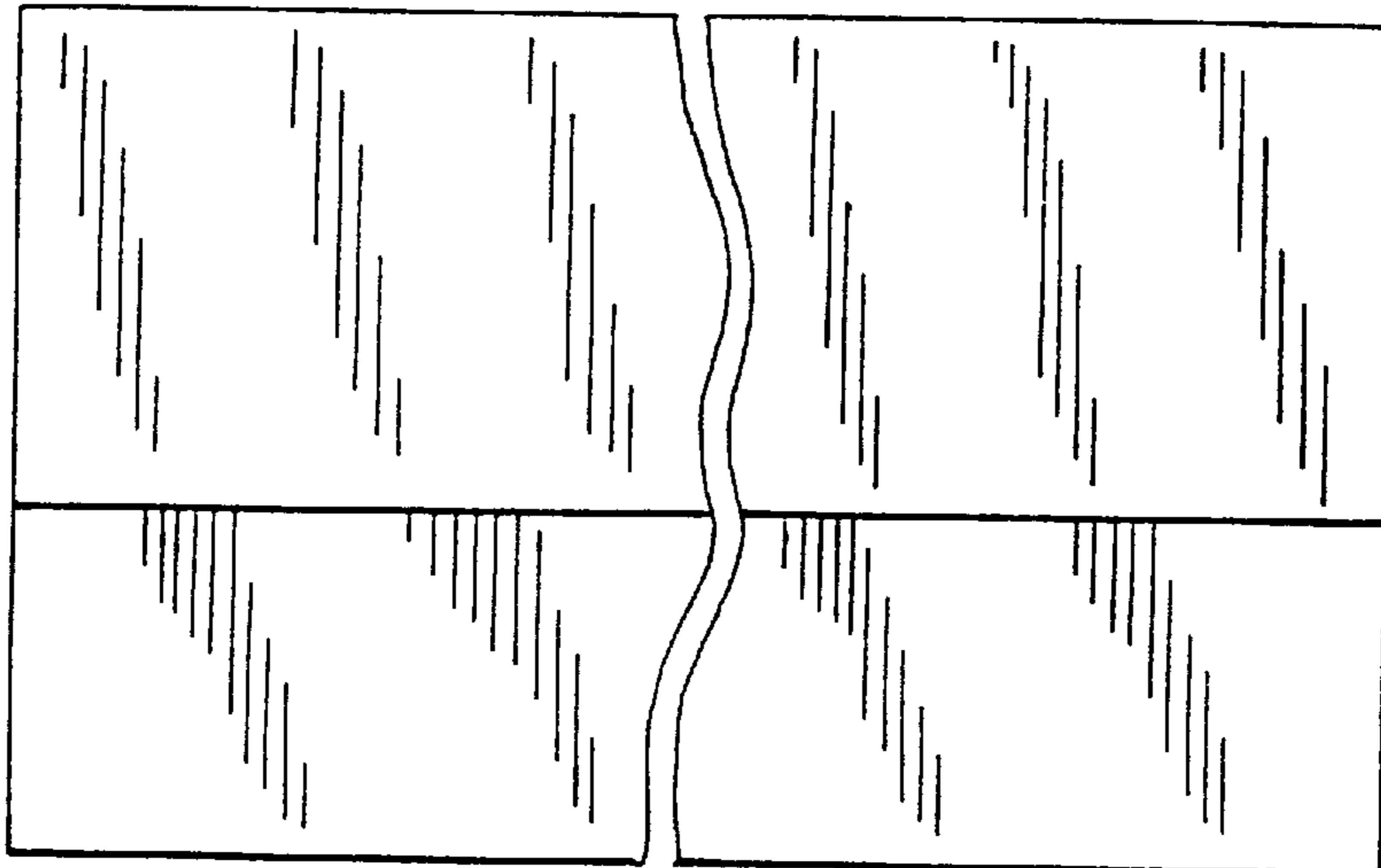


FIG. 3

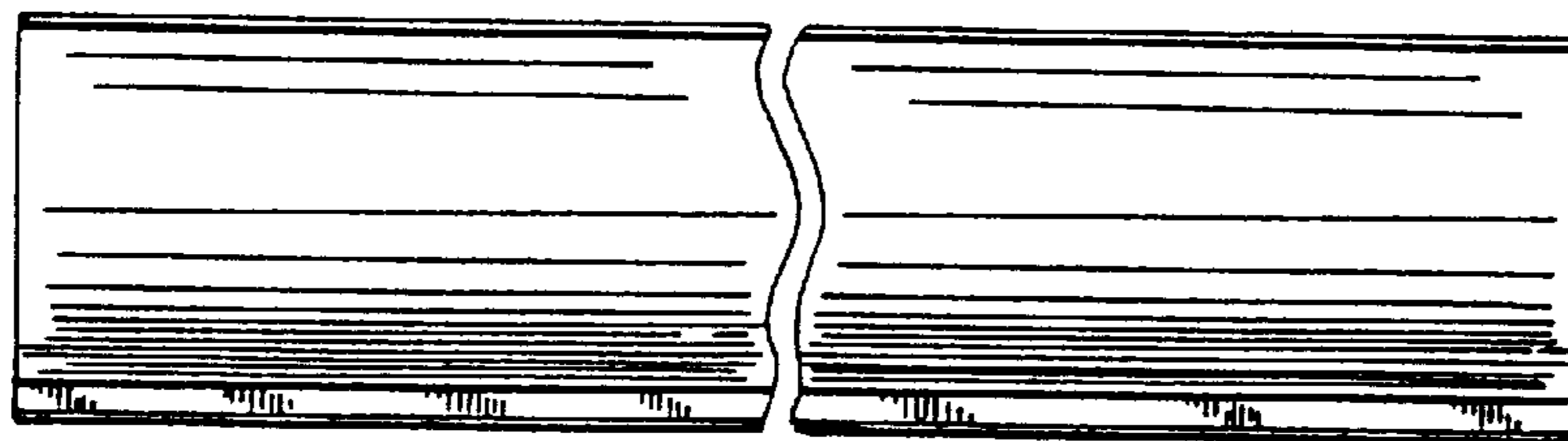


FIG. 6