



US00D400667S

United States Patent [19]

Moody et al.

[11] Patent Number: **Des. 400,667**

[45] Date of Patent: ****Nov. 3, 1998**

[54] **COMBINED CEILING FAN AND LIGHT FIXTURE**

[75] Inventors: **John Moody**, Bunker Hill, Ill.; **Stanfield Young**, Cypress, Calif.; **David Lathrop**, Edwards Ville, Ill.; **Craig Johnson**, Chesterfield, Mo.

[73] Assignee: **Emerson Electric Co.**, St. Louis, Mo.

[**] Term: **14 Years**

[21] Appl. No.: **83,455**

[22] Filed: **Feb. 10, 1998**

[51] **LOC (6) Cl.** **23-04**

[52] **U.S. Cl.** **D23/377; D23/379; D23/385**

[58] **Field of Search** **D23/377, 379, D23/385, 411, 413; 416/5; 392/364; 362/96; D26/81-86, 88, 72, 59, 51**

[56] **References Cited**

U.S. PATENT DOCUMENTS

- D. 346,438 4/1994 Caldwell D23/379
- D. 357,978 5/1995 Young D23/379

D. 377,975 2/1997 Young D23/379

Primary Examiner—Lisa Lichtenstein
Attorney, Agent, or Firm—Arnold, White & Durkee

[57] **CLAIM**

The ornamental design for a combined ceiling fan and light fixture, as shown and described.

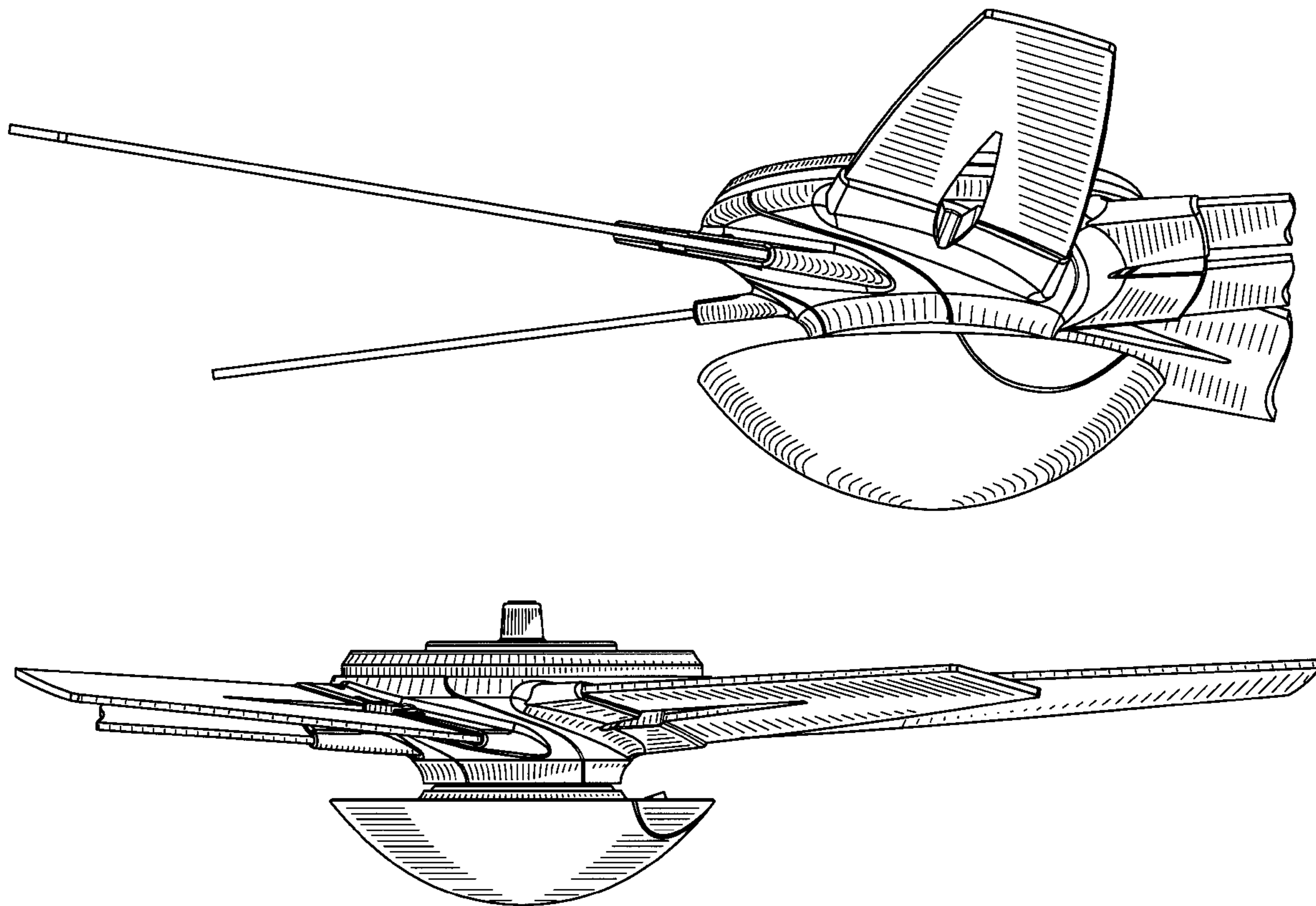
DESCRIPTION

FIG. 1 is a perspective view of an embodiment of the combined ceiling fan and light fixture; FIG. 2 is a side view illustrating a representative side of the combined ceiling fan and light fixture of FIG. 1; FIG. 3 is an enlarged bottom view of the combined ceiling fan and light fixture of FIG. 1; and, FIG. 4 is a top view of the combined ceiling fan and light fixture of FIG. 1.

The up-light fixtures and lamps received therein, shown with broken lines in FIG. 4, are illustrative only and form no part of the claimed design.

Some of the blades have been shown broken-away in FIGS. 1-4 for ease for illustration.

1 Claim, 4 Drawing Sheets



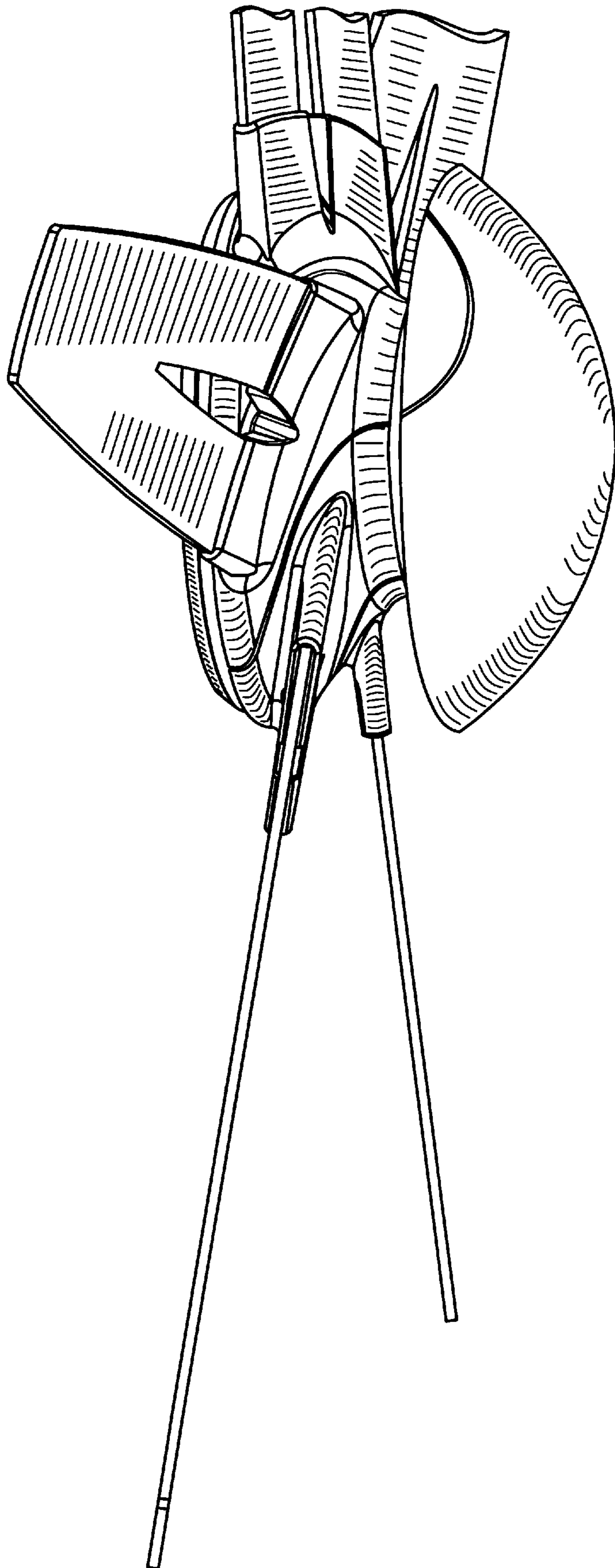


FIG. 1

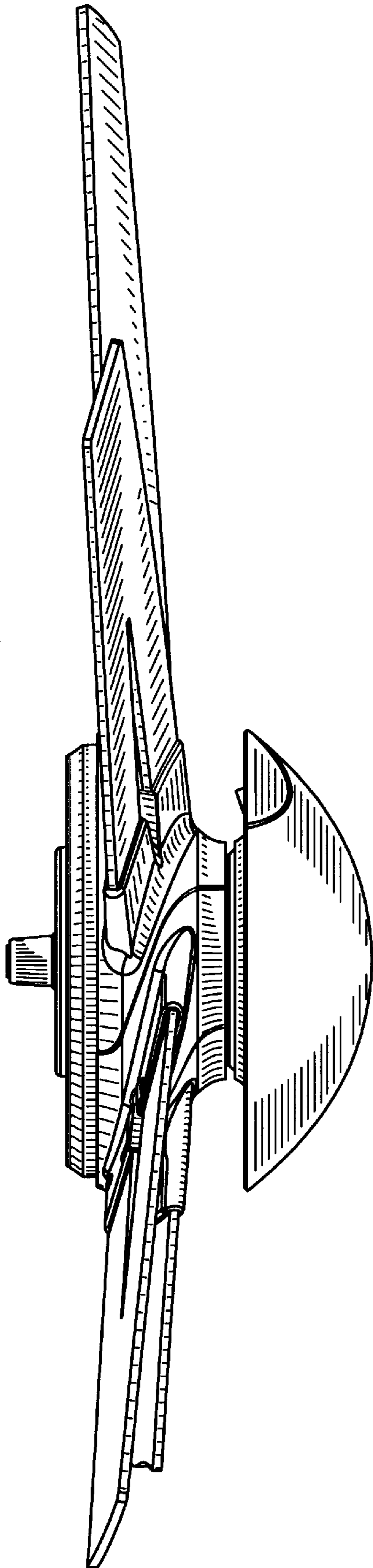


FIG. 2

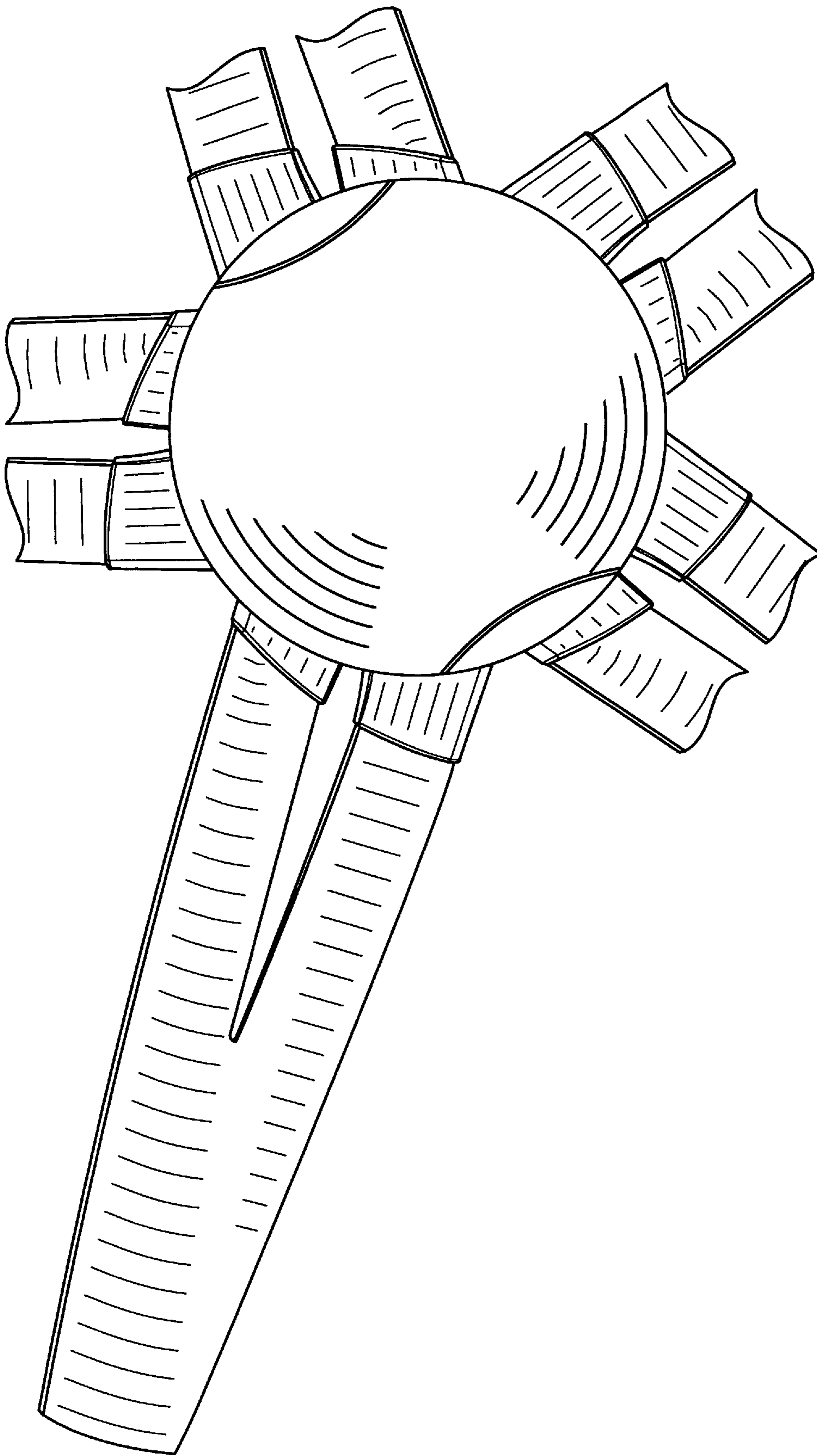


FIG. 3

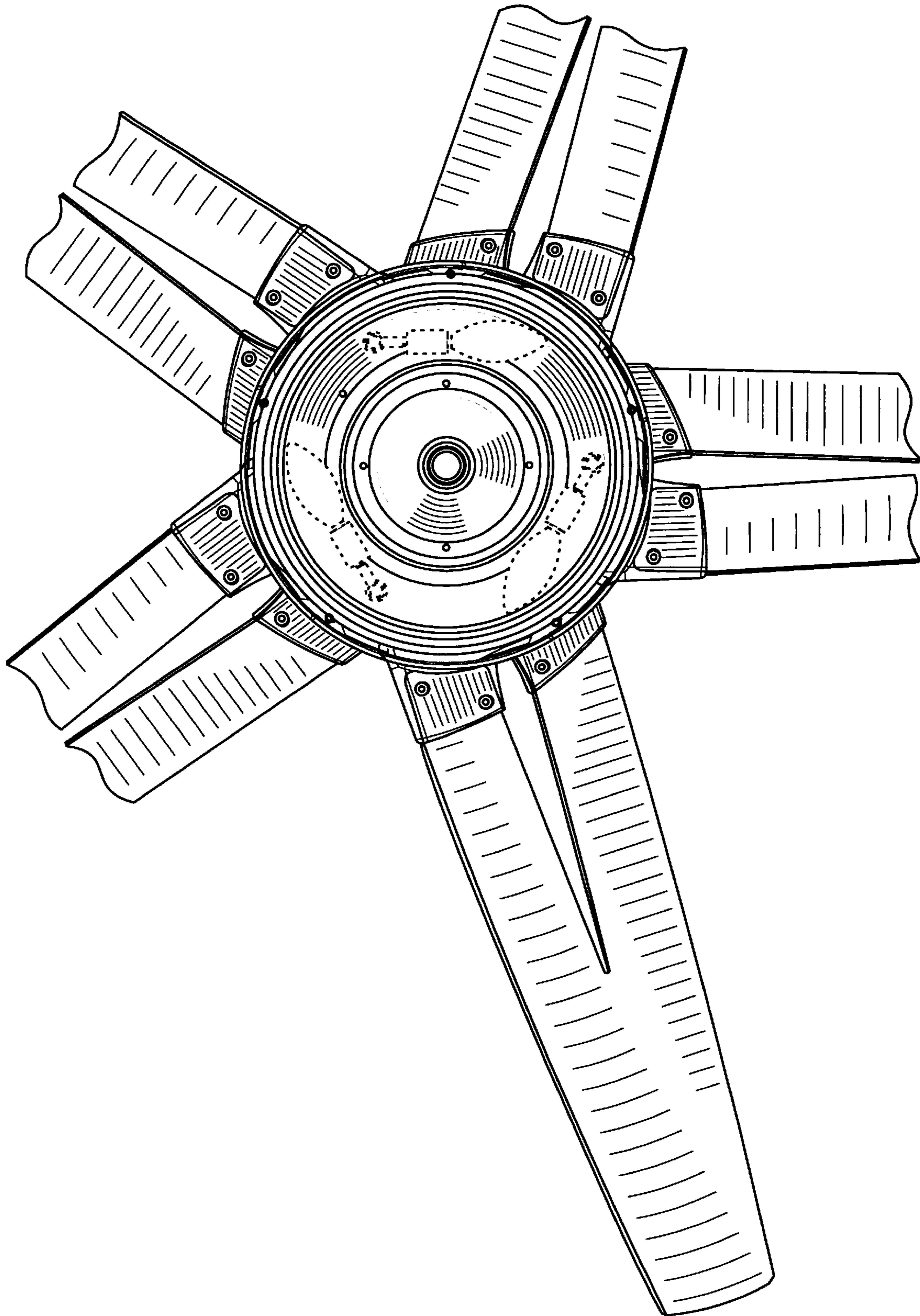


FIG. 4