



US00D400662S

United States Patent [19] Davis

[11] **Patent Number:** **Des. 400,662**
[45] **Date of Patent:** ****Nov. 3, 1998**

[54] **HEATED VOLATILE DISPENSER**

[76] Inventor: **Brian T. Davis**, 540 Madison St., Burlington, Wis. 53105

[**] Term: **14 Years**

[21] Appl. No.: **83,302**

[22] Filed: **Jan. 30, 1998**

[51] **LOC (6) Cl.** **23-04**

[52] **U.S. Cl.** **D23/366; D23/360**

[58] **Field of Search** **D23/366-369, D23/356-363; 239/135, 136; 392/390, 392; 422/305, 120, 121**

[56] **References Cited**

U.S. PATENT DOCUMENTS

D. 159,407	7/1950	Costello	D23/366
D. 349,157	7/1994	Rymer	D23/369
2,513,919	7/1950	Costello	.	
4,214,146	7/1980	Schimanski	239/136
4,391,781	7/1983	van Lit	239/136
4,467,177	8/1984	Zobebe	392/390
5,402,517	3/1995	Gillett et al.	.	

FOREIGN PATENT DOCUMENTS

4001138 1/1989 Brazil .

0 498 278 A1	1/1992	European Pat. Off. .
0 511 853 A2	4/1992	European Pat. Off. .
2 614 178 -		
A1	4/1987	France .
27 30 855 A1	8/1977	Germany .
3513307 A1	4/1985	Germany .
PCT/US95/		
03234	3/1995	WIPO .

Primary Examiner—Lisa Lichtenstein

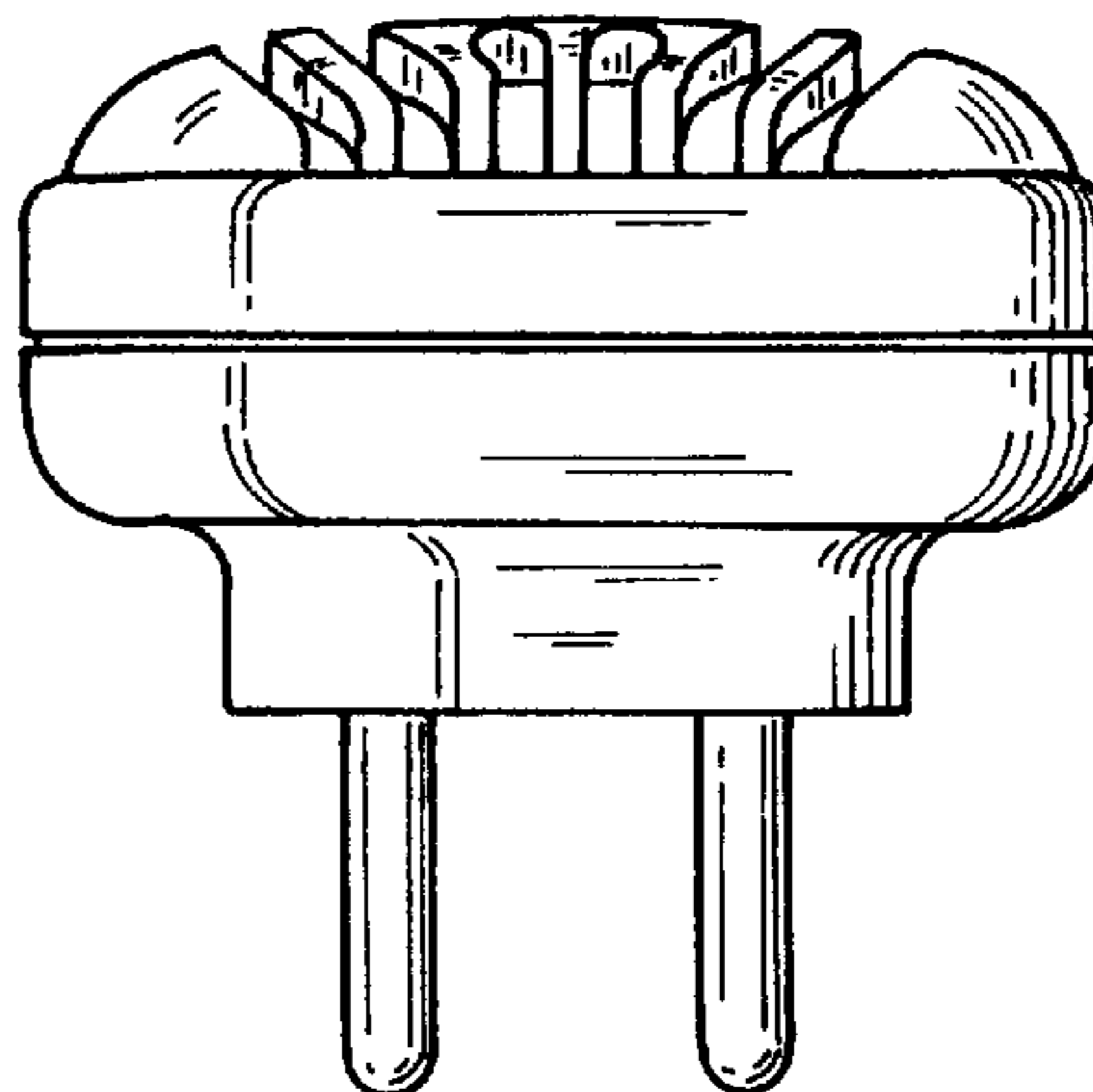
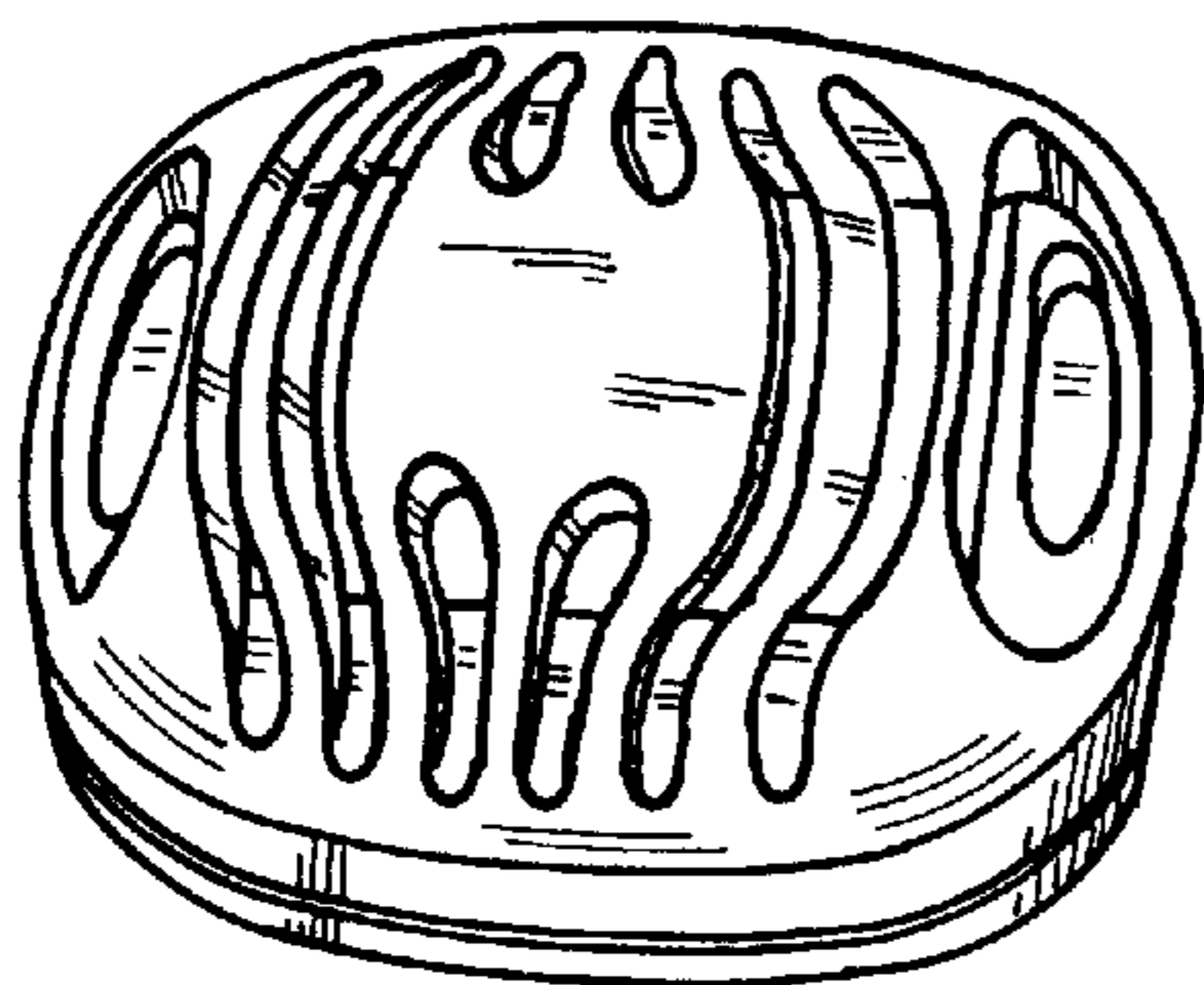
[57] **CLAIM**

The ornamental design for a heated volatile dispenser, as shown and described.

DESCRIPTION

FIG. 1 is a front perspective view from beneath and to one side of a heated Volatile dispenser showing the new design; FIG. 2 is a front elevational view of the dispenser of FIG. 1, the back elevational view being identical thereto; FIG. 3 is a left side elevational view of the dispenser of FIG. 1, the right side elevational view being identical thereto; FIG. 4 is a top plan view of the dispenser of FIG. 1; and, FIG. 5 is a bottom plan view of the dispenser of FIG. 1.

1 Claim, 1 Drawing Sheet



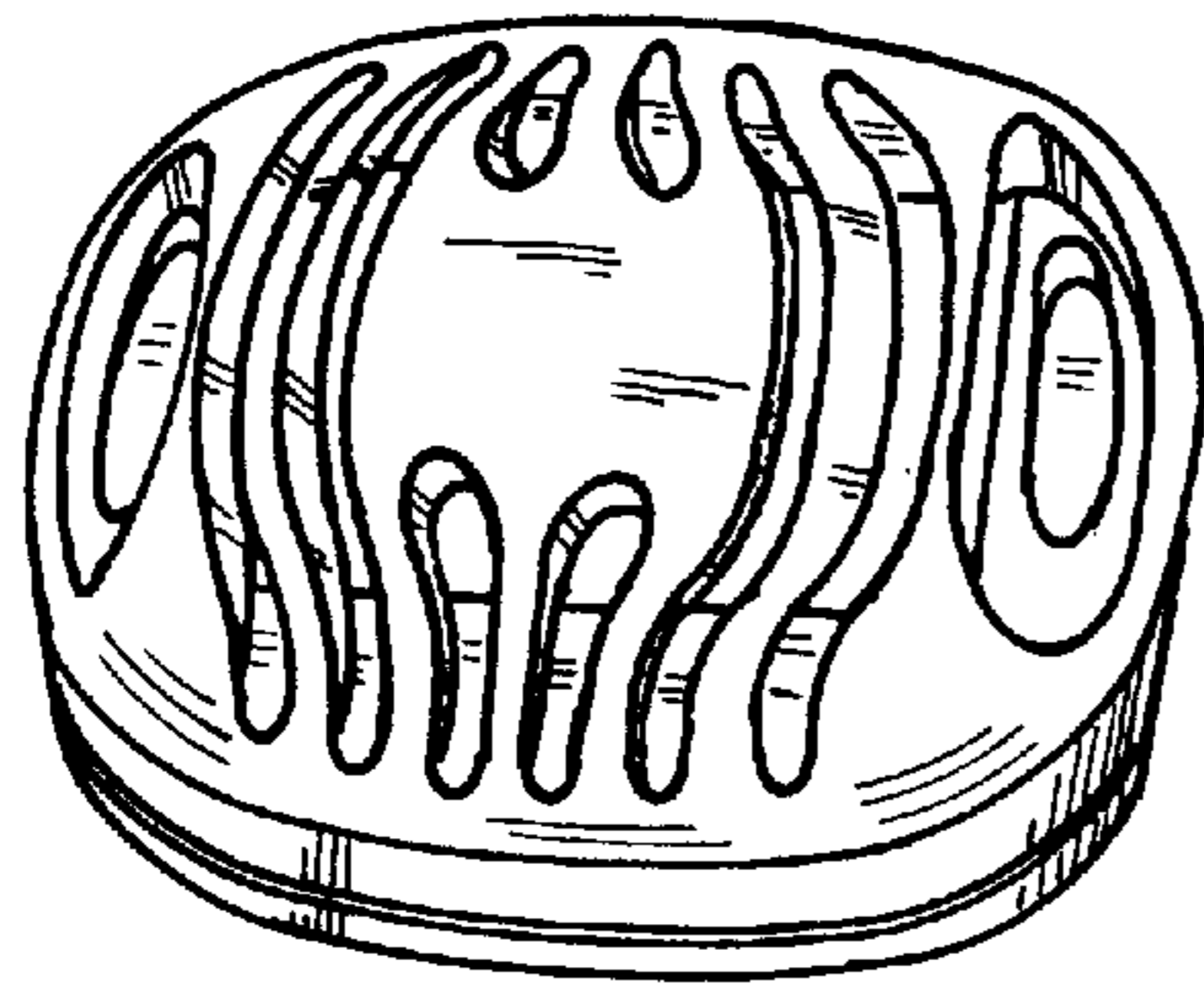


FIG. 1

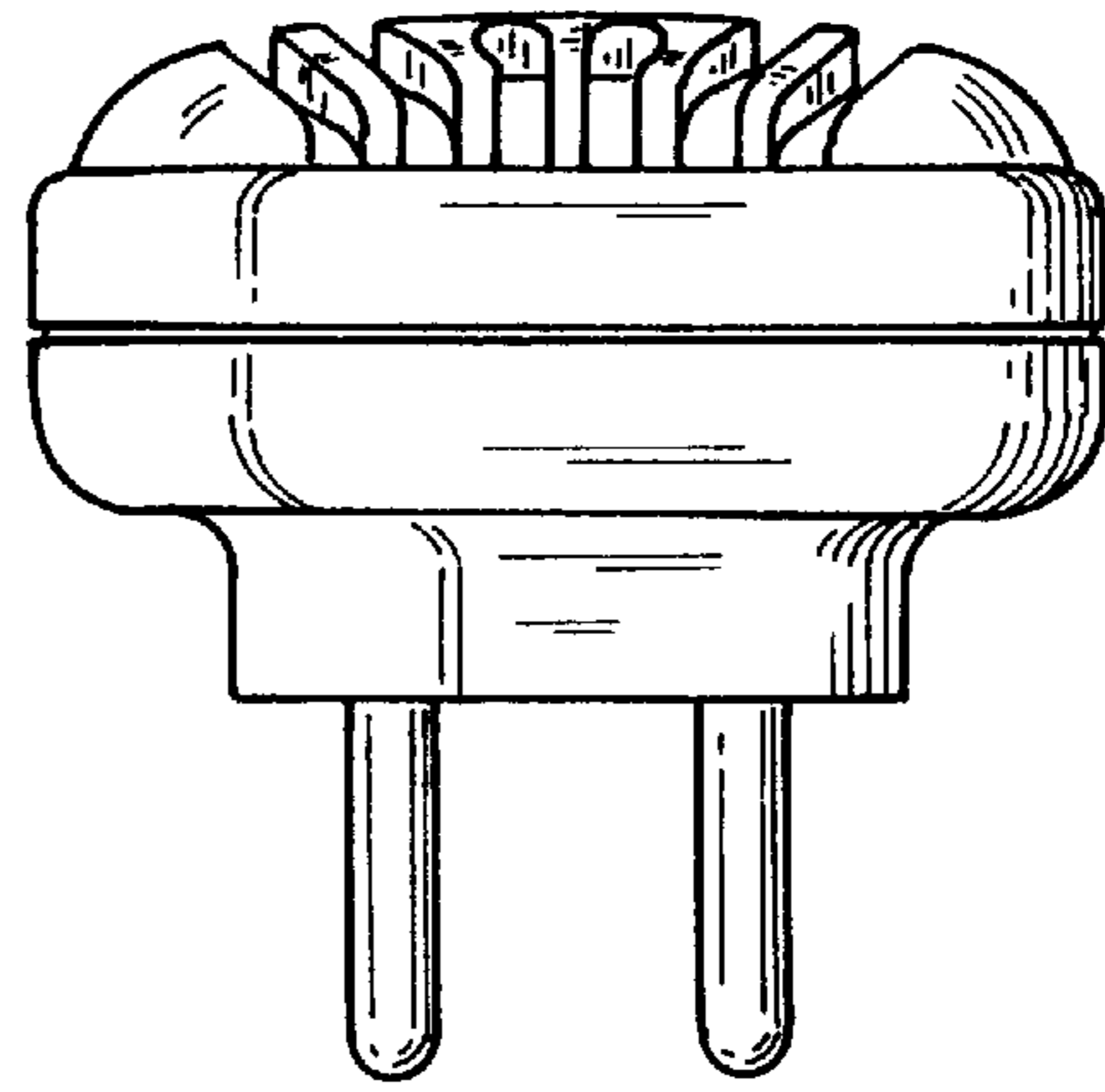


FIG. 2

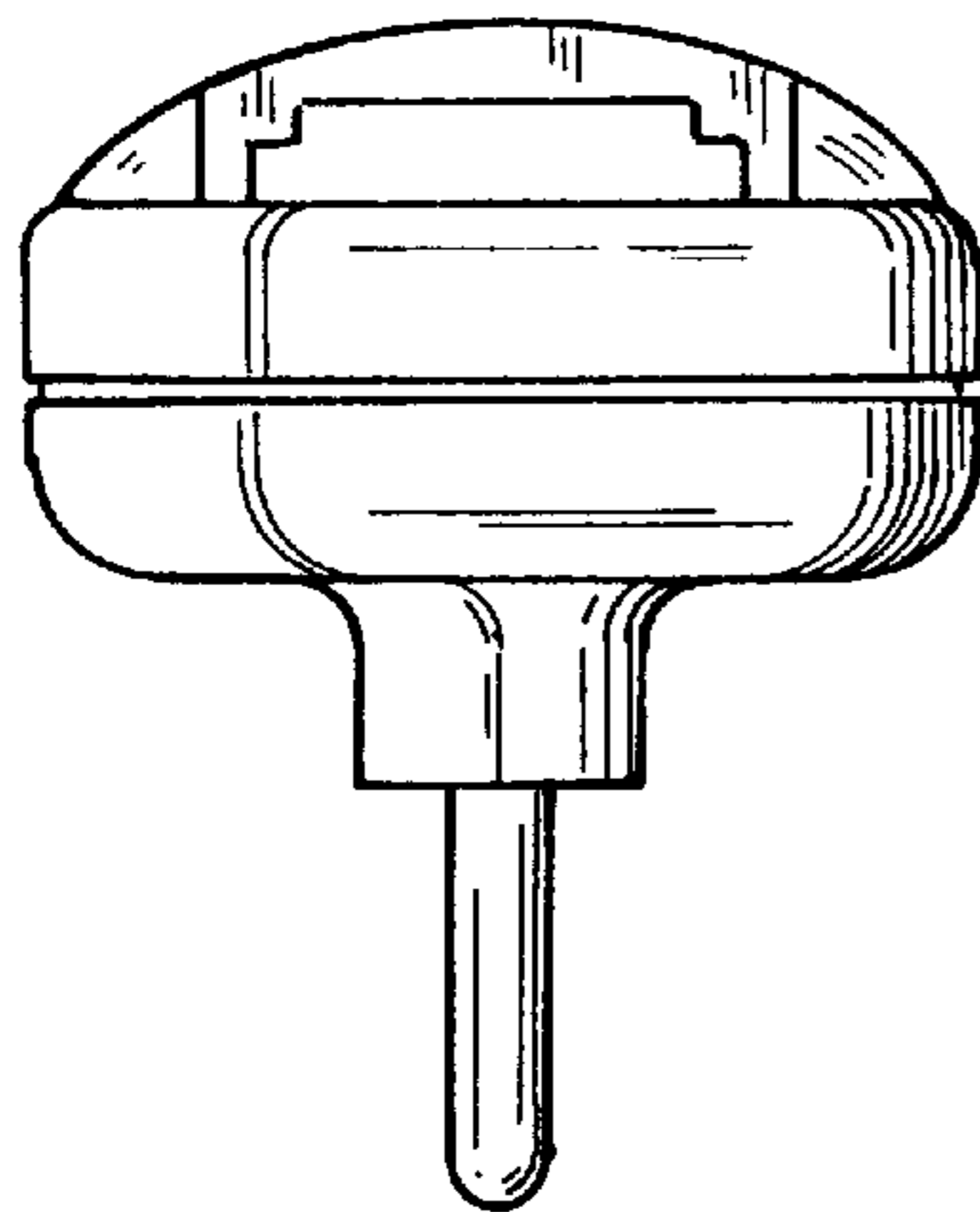


FIG. 3

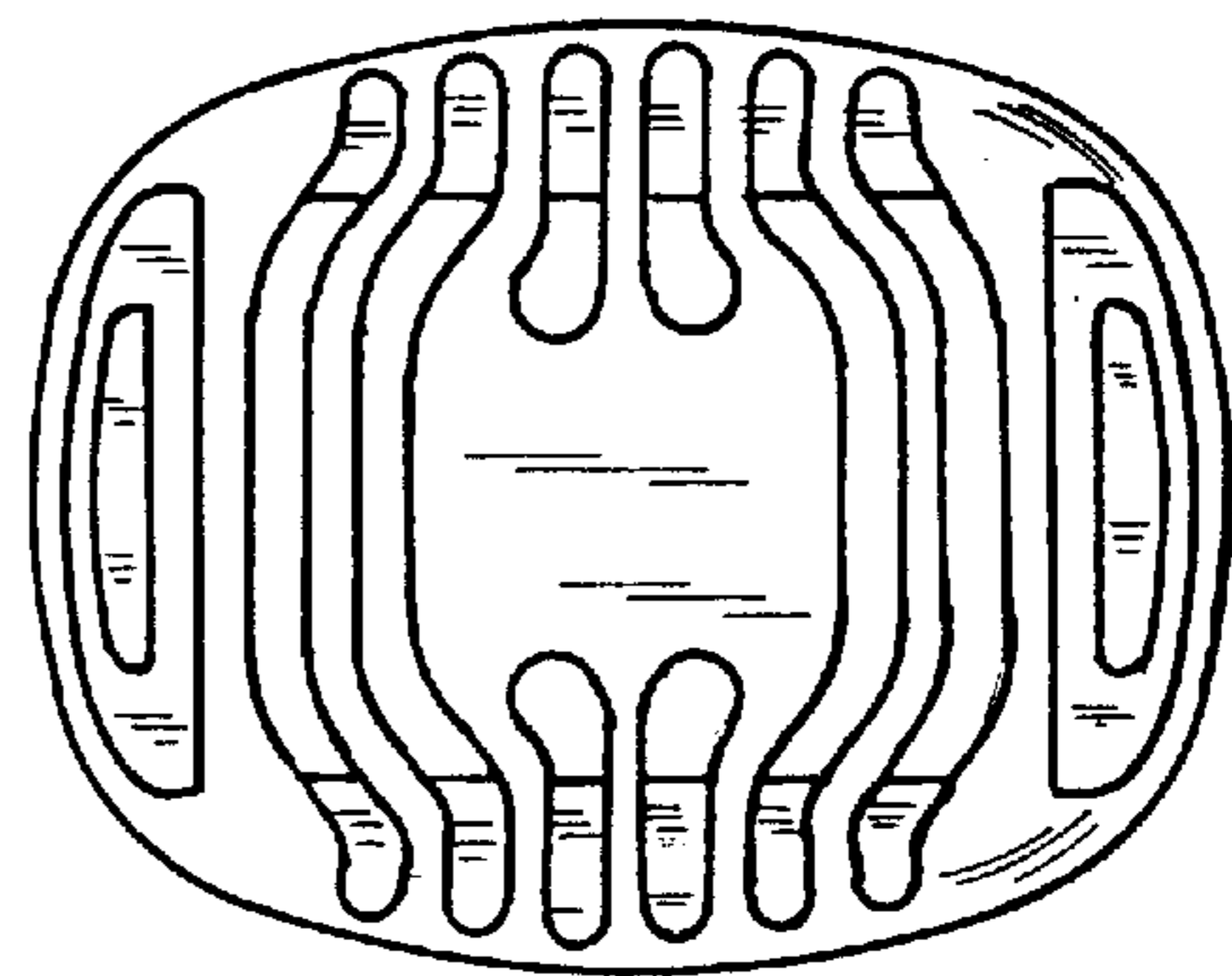


FIG. 4

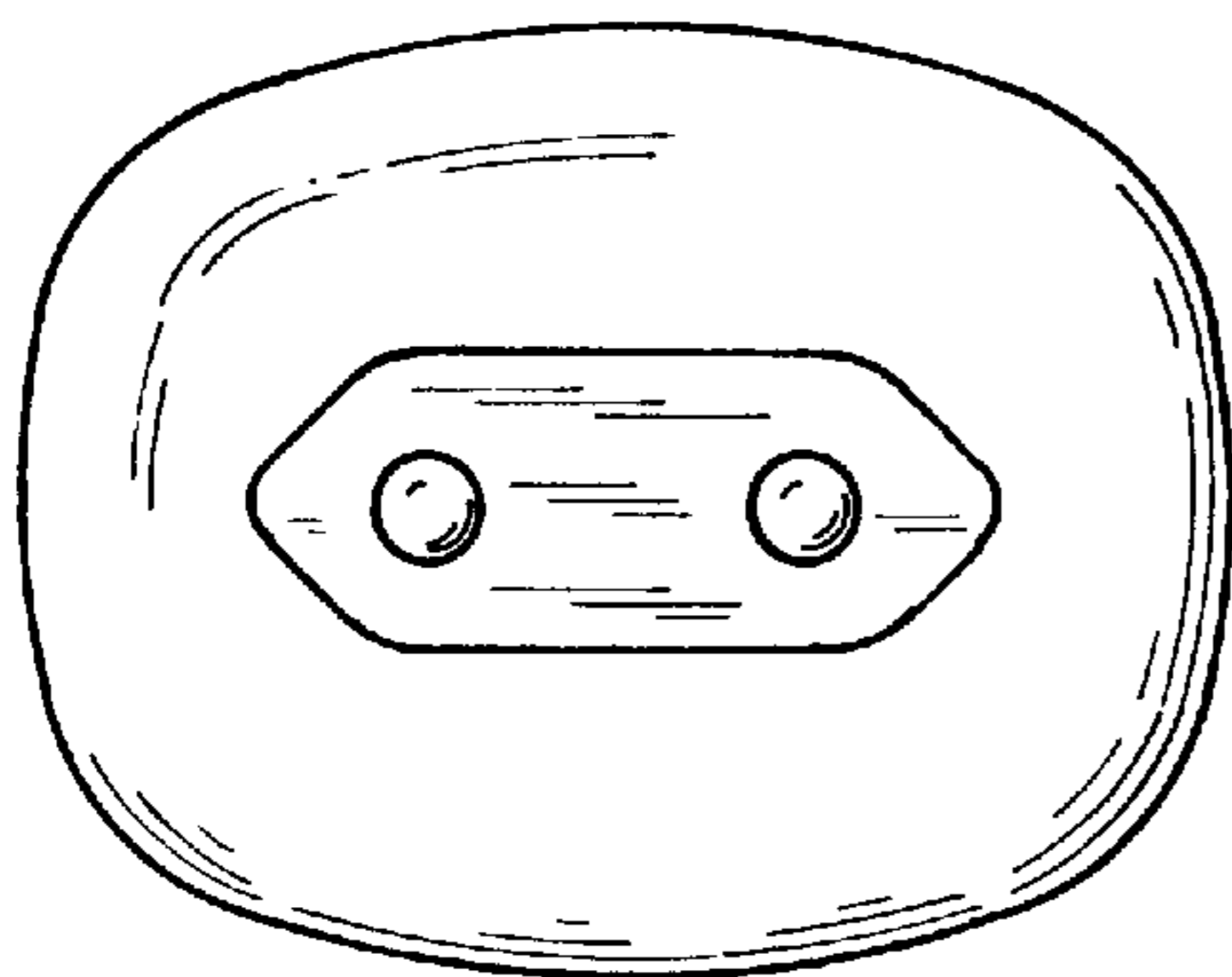


FIG. 5