



US00D400661S

United States Patent [19]
Ko

[11] **Patent Number:** **Des. 400,661**

[45] **Date of Patent:** ****Nov. 3, 1998**

[54] **ELECTRONIC AIR PURIFIER**

5,143,655 9/1992 Chiu et al. 261/24

[76] Inventor: **Li-Sheng Ko**, 3/F., No. 245, Jao-Ho St.,
Taipei City, Taiwan

Primary Examiner—Lisa Lichtenstein
Attorney, Agent, or Firm—Rosenberg, Klein & Bilker

[**] Term: **14 Years**

[57] **CLAIM**

[21] Appl. No.: **81,683**

The ornamental design for an electronic air purifier, as shown.

[22] Filed: **Jan. 8, 1998**

DESCRIPTION

[51] **LOC (6) Cl.** **23-04**

FIG. 1 is a perspective view of an electronic air purifier showing my new design;

[52] **U.S. Cl.** **D23/364; D23/355**

FIG. 2 is a top plan view thereof;

[58] **Field of Search** D23/364, 355,
D23/365, 370, 381; 422/120; 261/24; 96/97

FIG. 3 is a bottom plan view thereof;

FIG. 4 is a front elevational view thereof;

[56] **References Cited**

U.S. PATENT DOCUMENTS

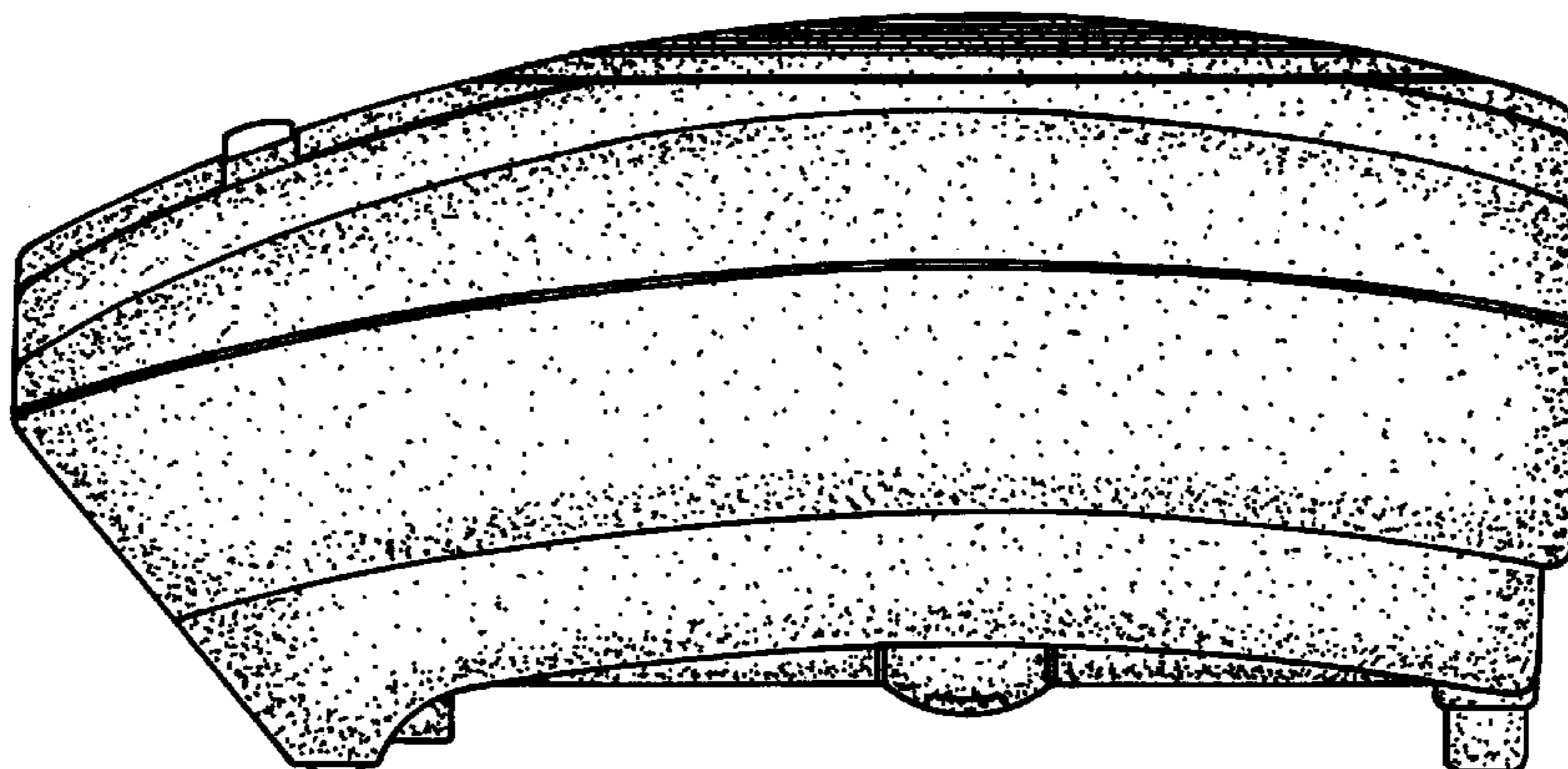
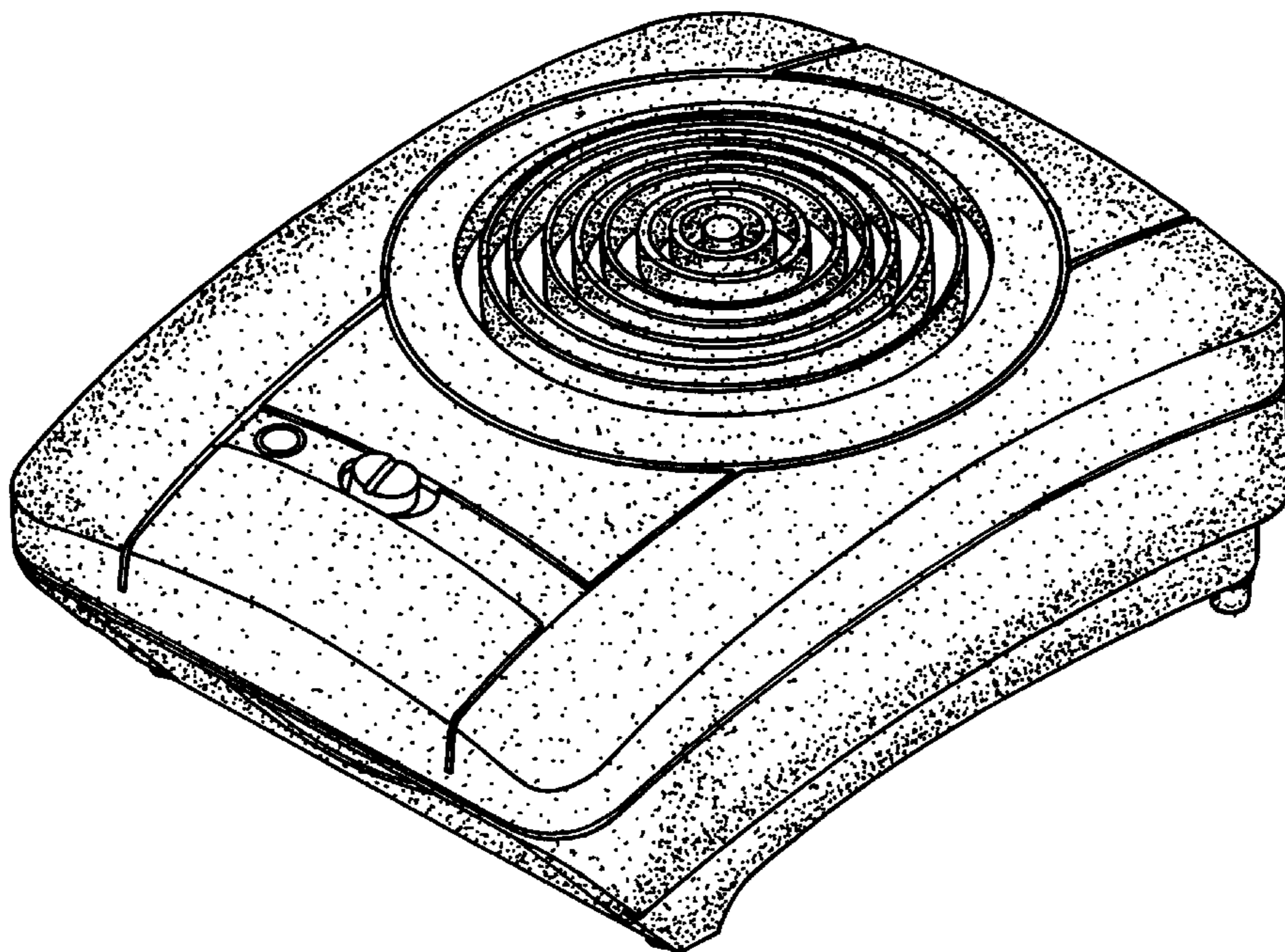
FIG. 5 is a rear elevational view thereof;

FIG. 6 is a left side elevational view thereof; and,

FIG. 7 is a right side elevational view thereof.

- D. 338,521 8/1993 Ganor D23/364
- D. 374,278 10/1996 Ganor D23/364
- 2,774,581 12/1956 Bowersox 261/24

1 Claim, 4 Drawing Sheets



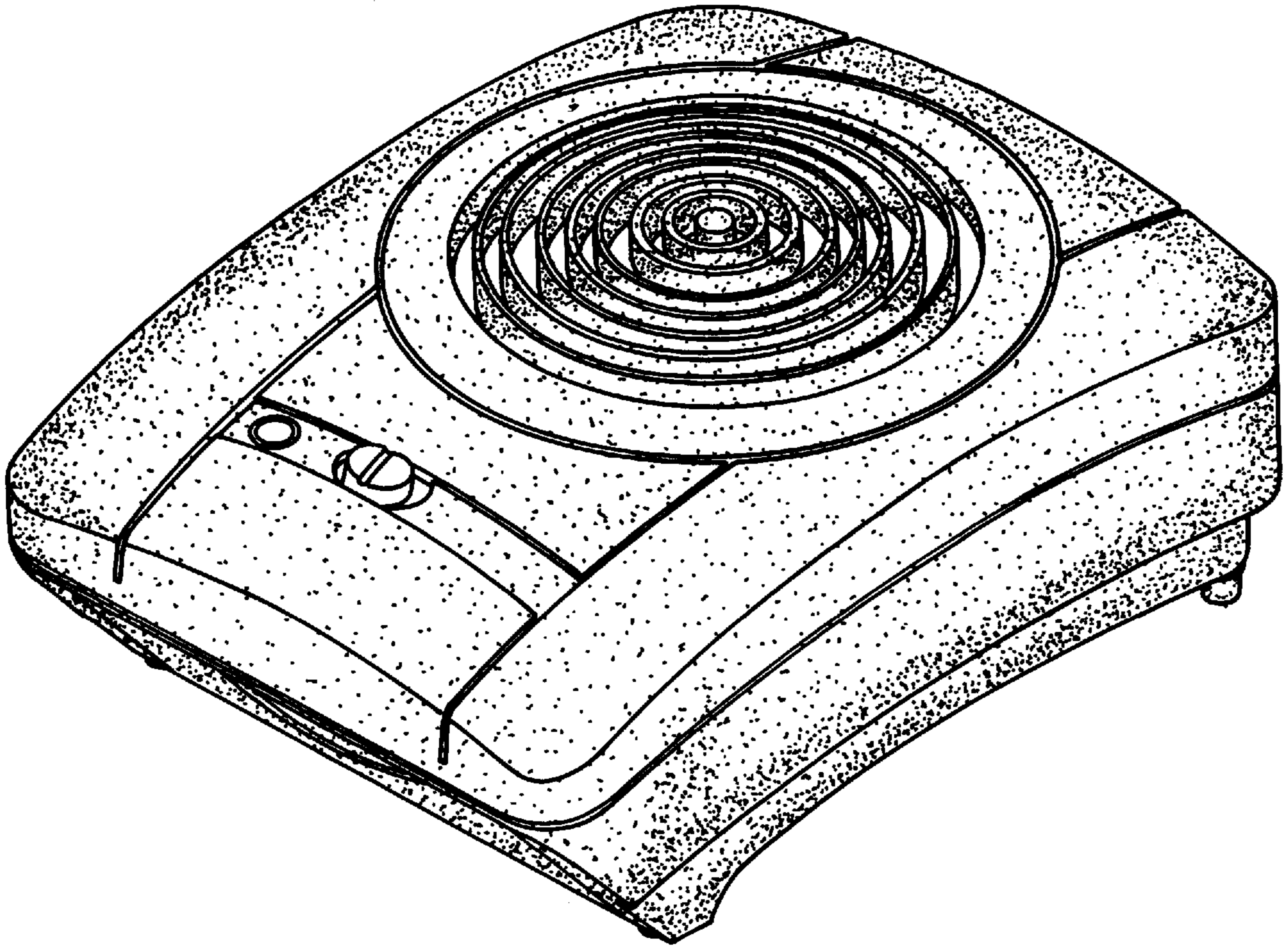


FIG.1

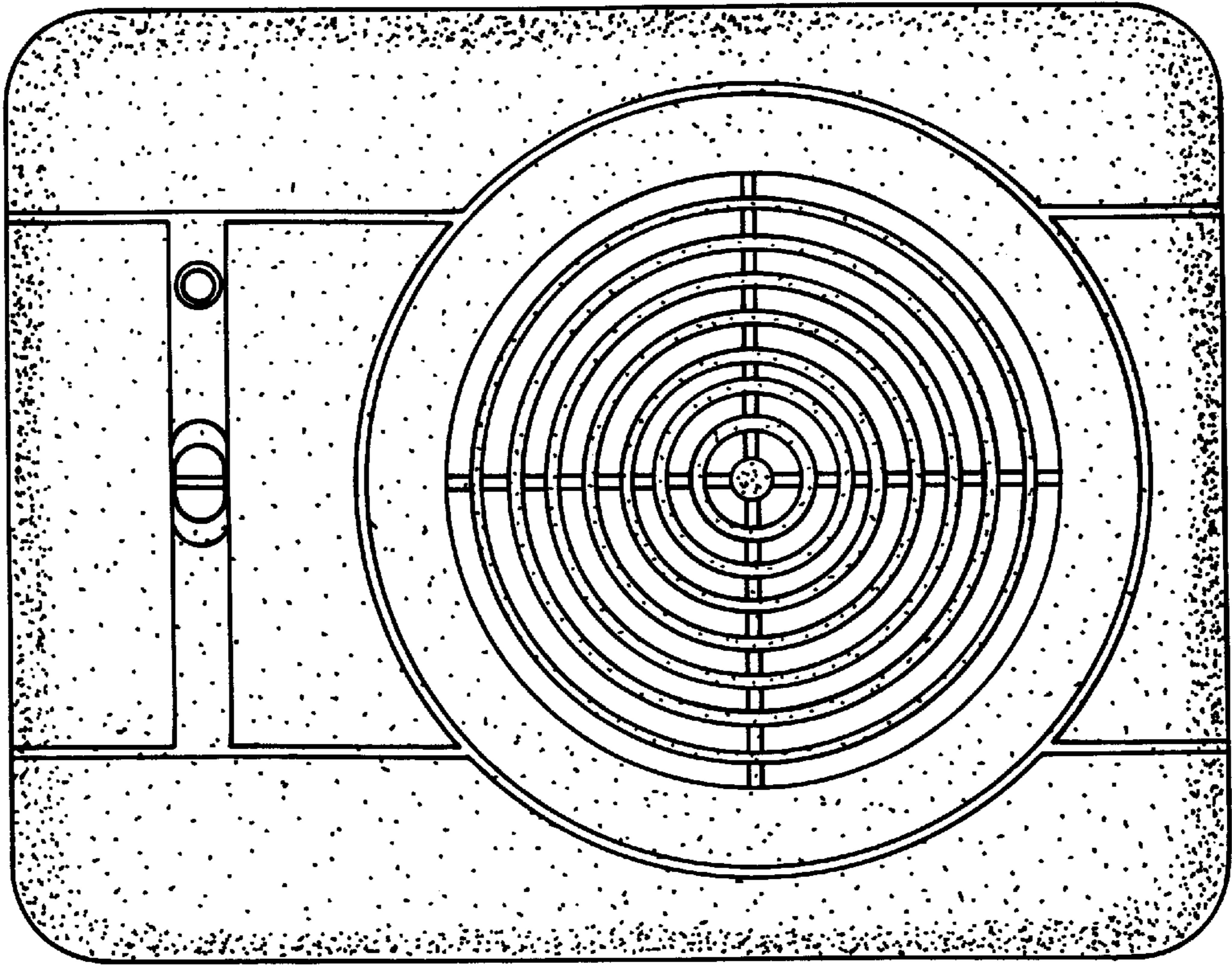


FIG. 2

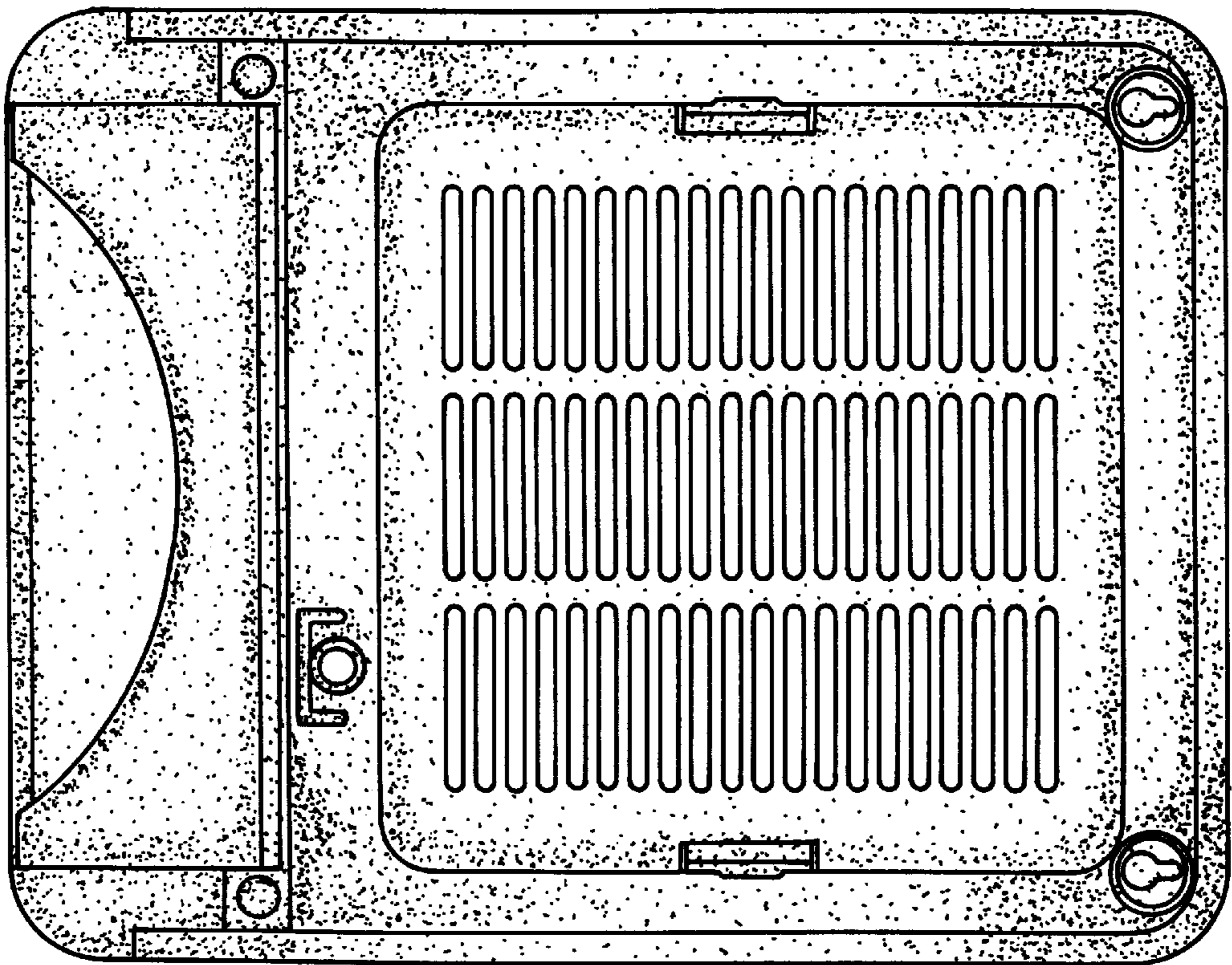


FIG. 3

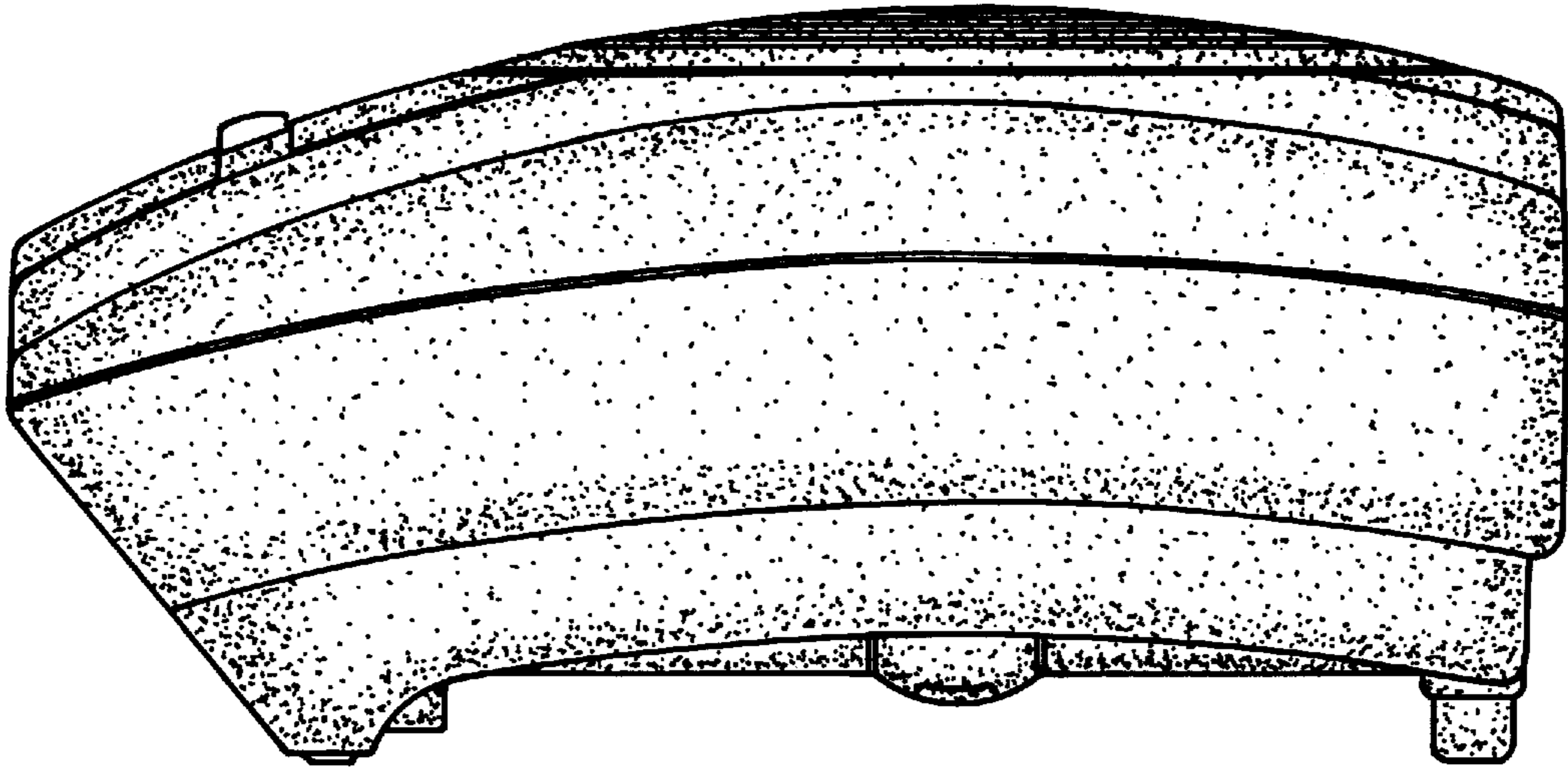


FIG. 4

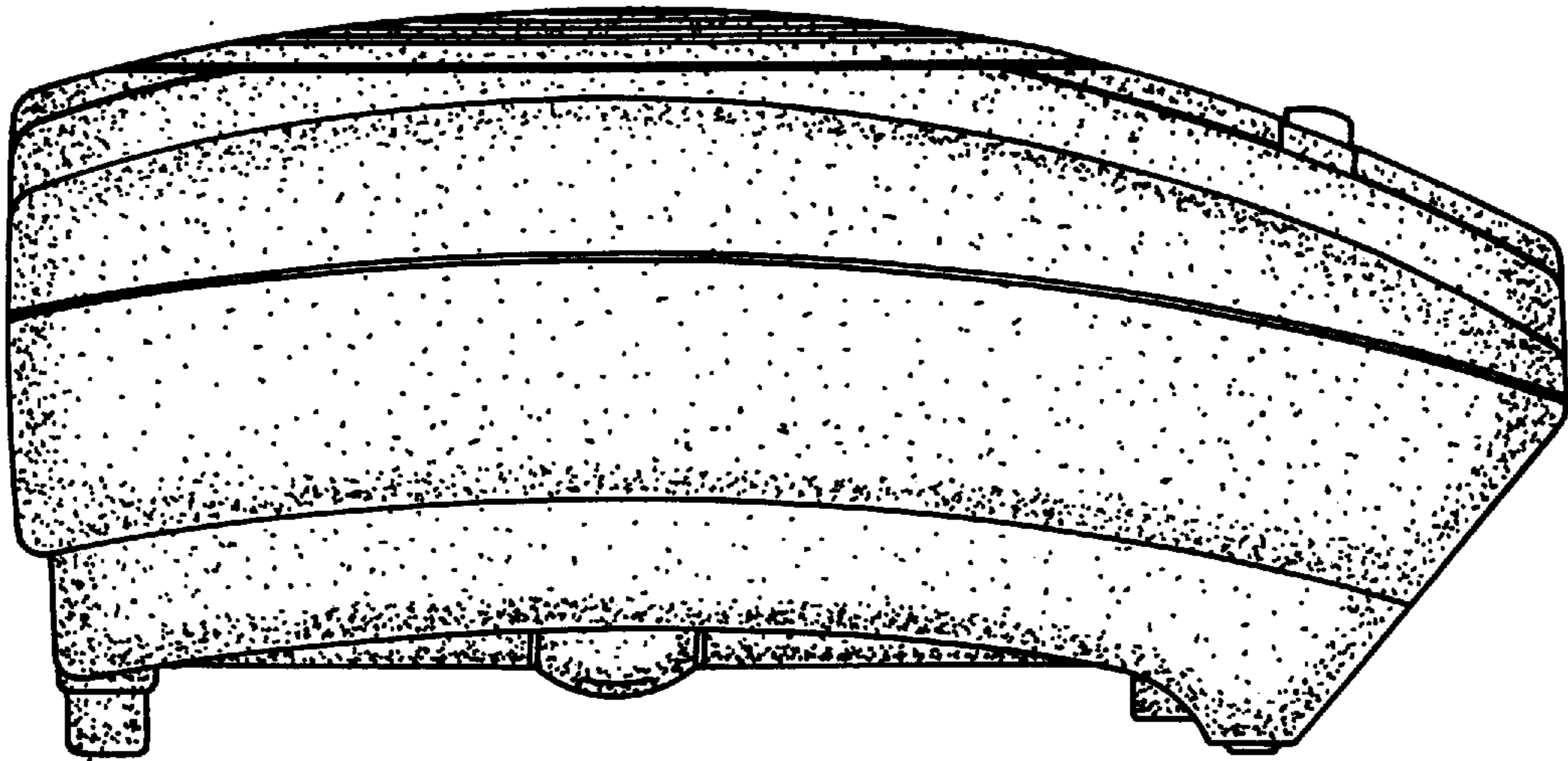


FIG. 5

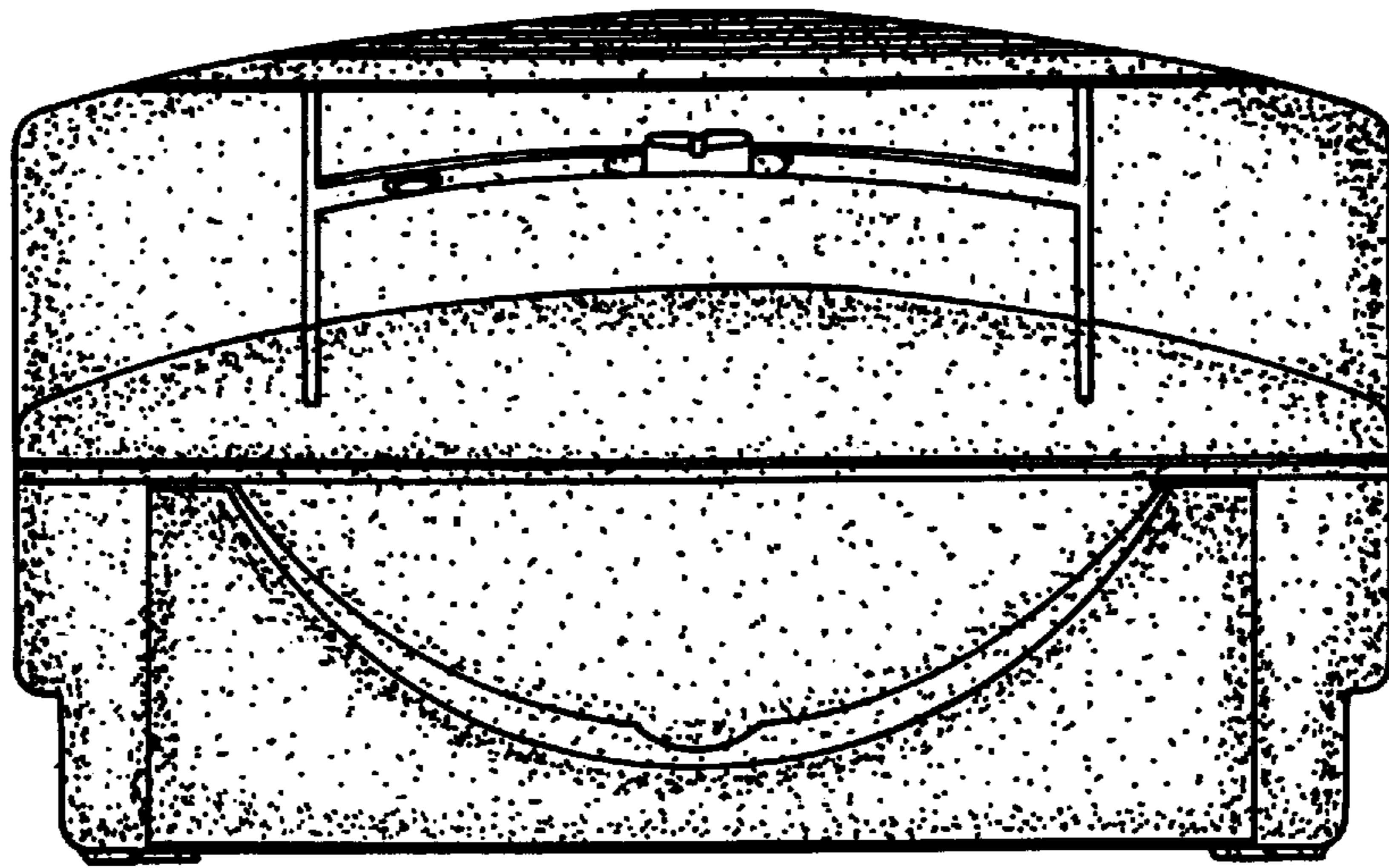


FIG. 6

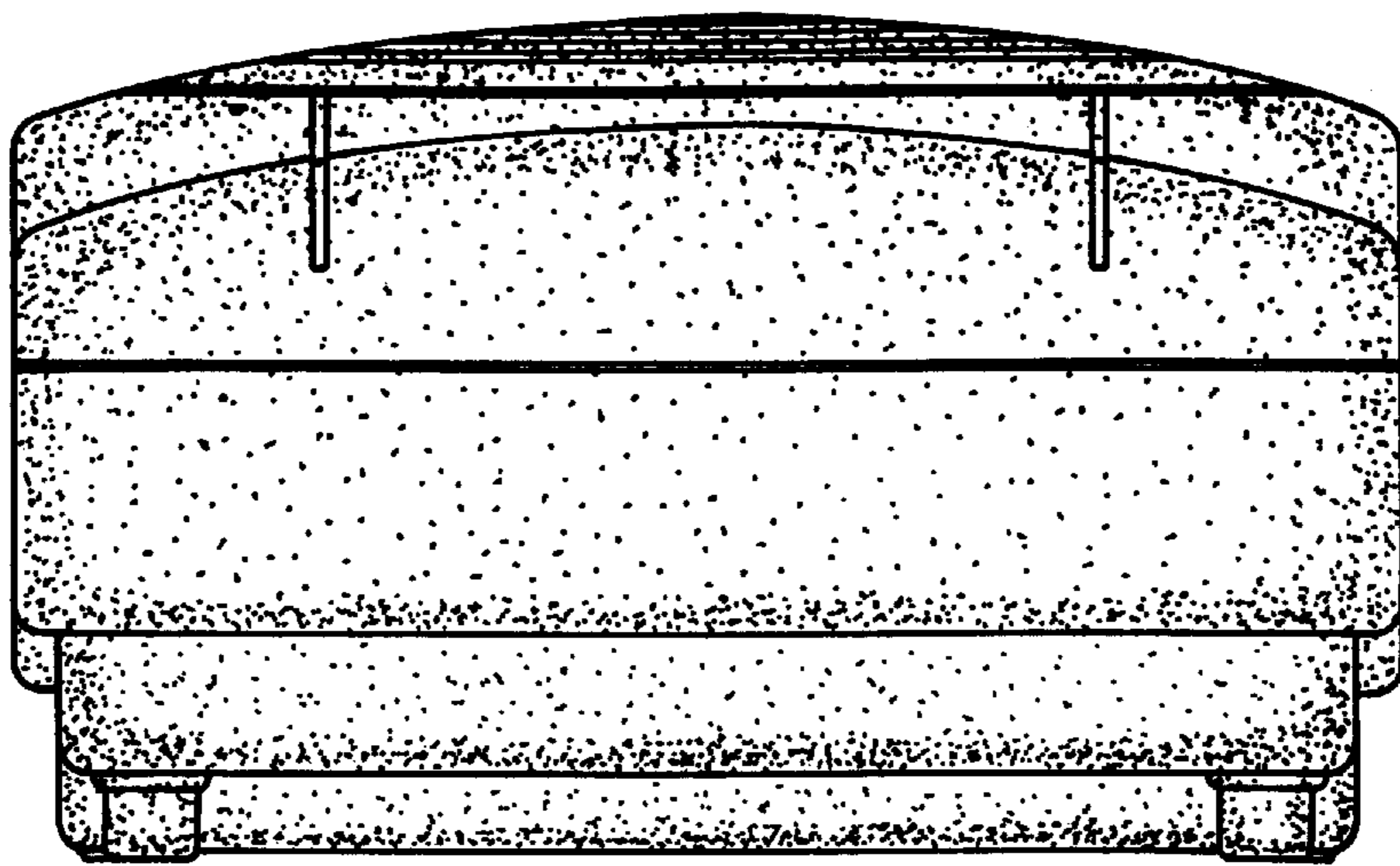


FIG. 7