

US00D400660S

United States Patent [19]

Picozza et al.

[11] **Patent Number: Des. 400,660**

[45] **Date of Patent: **Nov. 3, 1998**

[54] **AIR CLEANER**

[75] Inventors: **Augusto A. Picozza**, Crystal Lake, Ill.;
Ira Velinsky, Saratoga, Calif.

[73] Assignee: **Sunbeam Products, Inc.**, Delray
Beach, Fla.

[**] Term: **14 Years**

[21] Appl. No.: **77,684**

[22] Filed: **Oct. 7, 1997**

[51] **LOC (6) Cl.** **23-04**

[52] **U.S. Cl.** **D23/364; D23/355**

[58] **Field of Search** **D23/365, 355,**
D23/364, 335, 336, 382, 381, 370; 96/97;
422/122

[56] **References Cited**

U.S. PATENT DOCUMENTS

D. 362,296 9/1995 Schmidt D23/364

D. 375,546 11/1996 Lee D23/364
D. 377,523 1/1997 Marvin et al. D23/364

Primary Examiner—Lisa Lichtenstein
Attorney, Agent, or Firm—Dennis M. Carleton

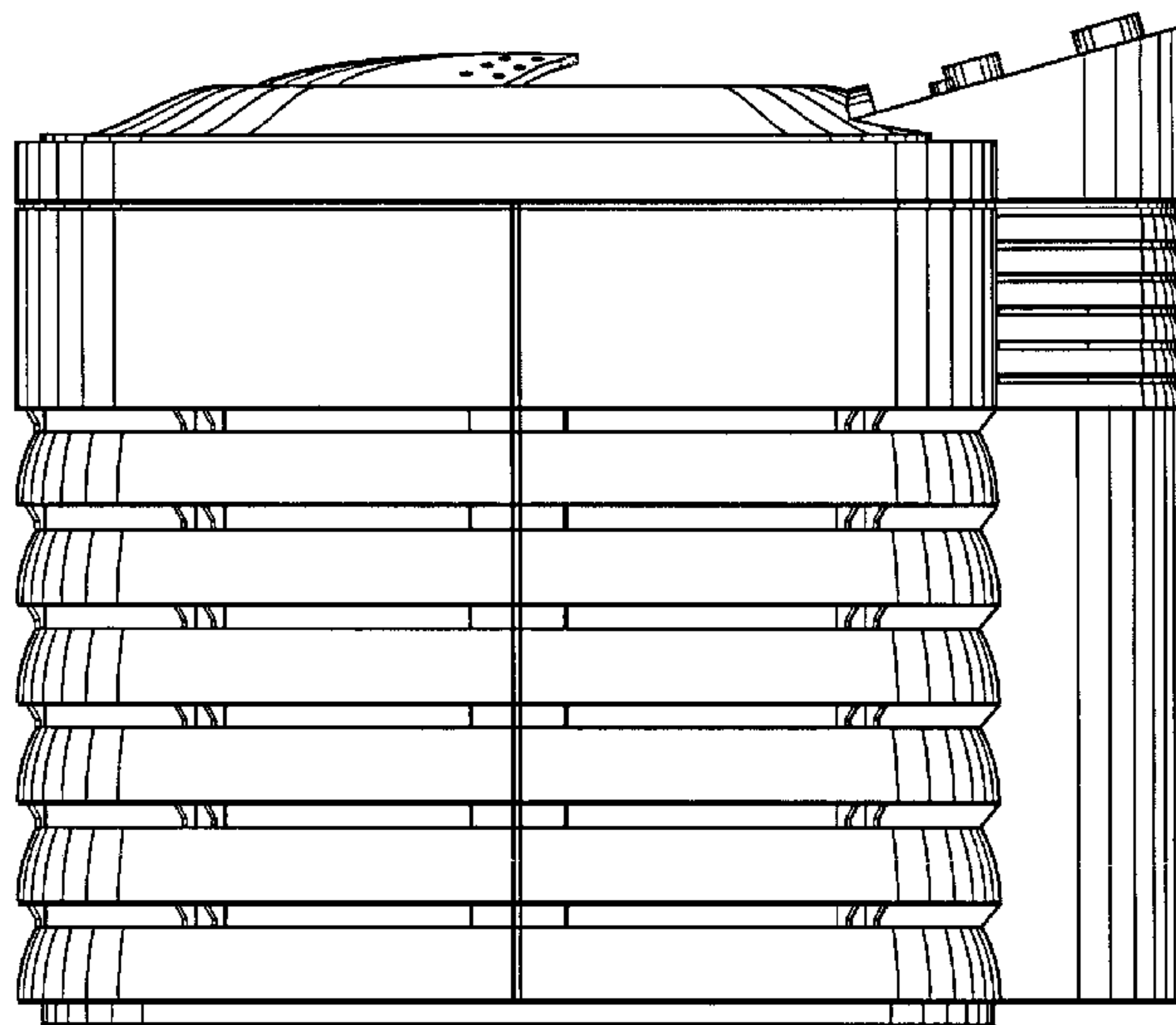
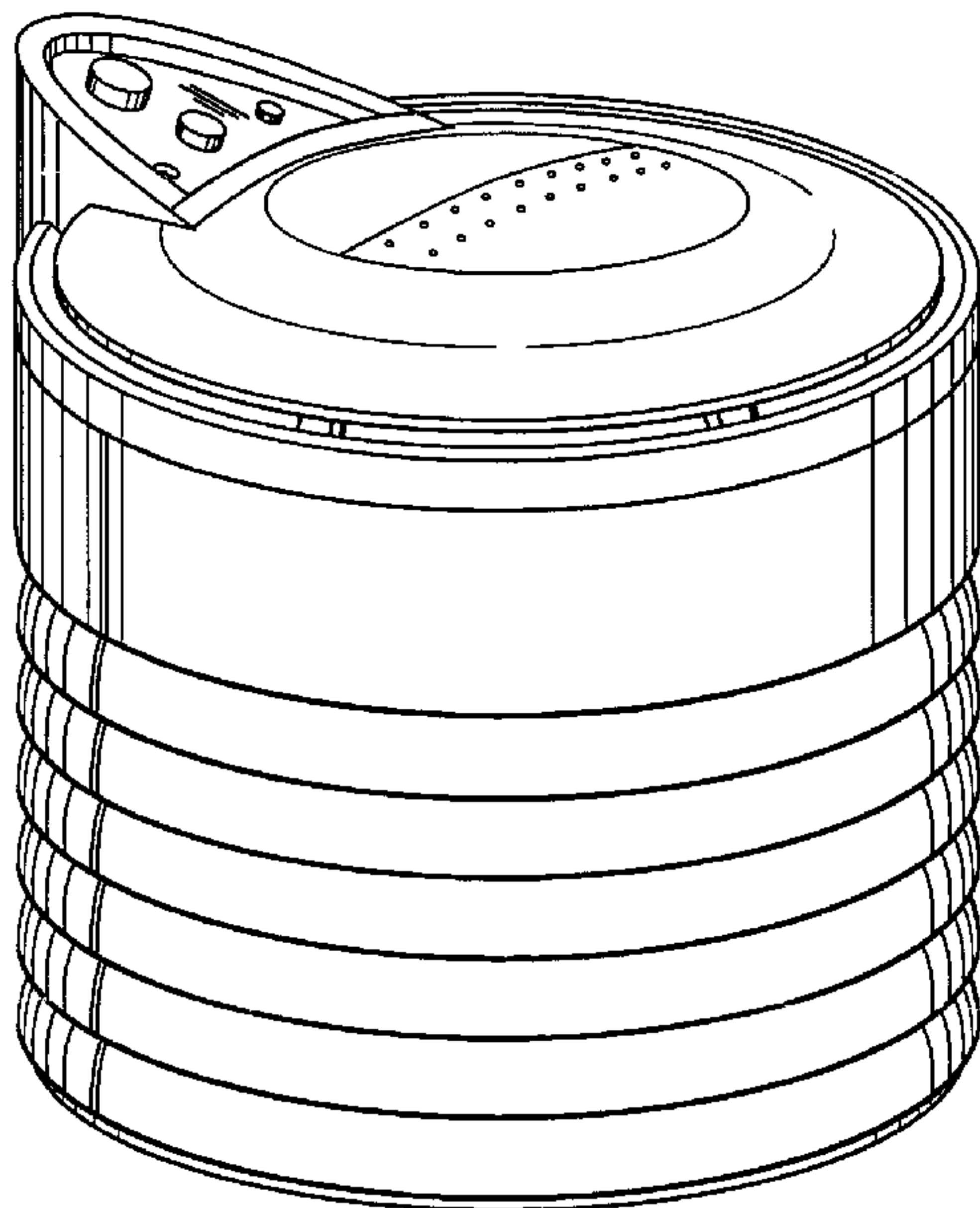
[57] **CLAIM**

The ornamental design for an air cleaner, as shown.

DESCRIPTION

FIG. 1 is a perspective view of the air cleaner of the present invention;
FIG. 2 is a right side view of the air cleaner of FIG. 1;
FIG. 3 is a left side view of the air cleaner of FIG. 1;
FIG. 4 is a front elevational view of the air cleaner of FIG. 1;
FIG. 5 is a rear elevational view of the air cleaner of FIG. 1;
FIG. 6 is a top plan view of the air cleaner of FIG. 1; and,
FIG. 7 is a bottom plan view of the air cleaner of FIG. 1.

1 Claim, 7 Drawing Sheets



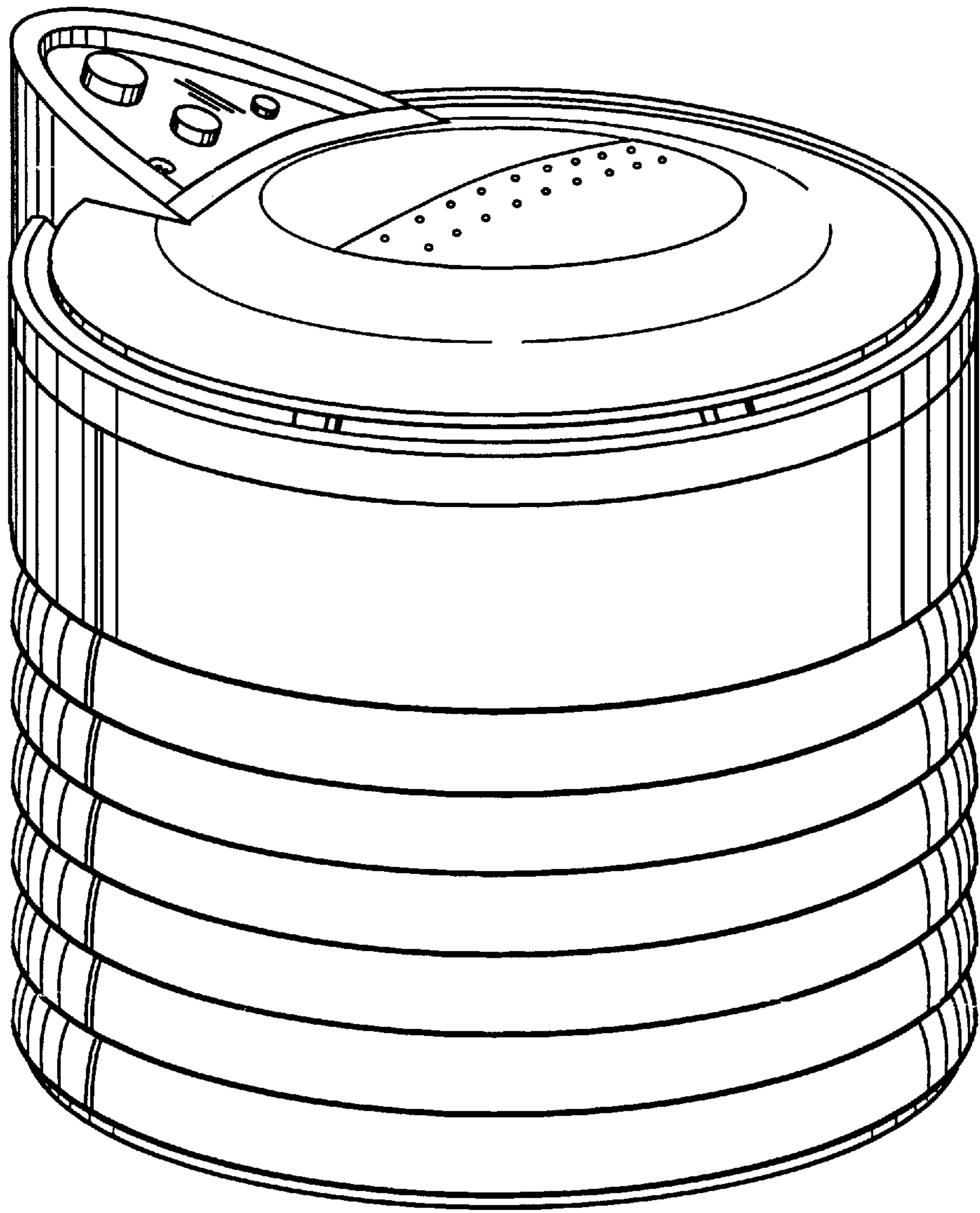


FIG. 1

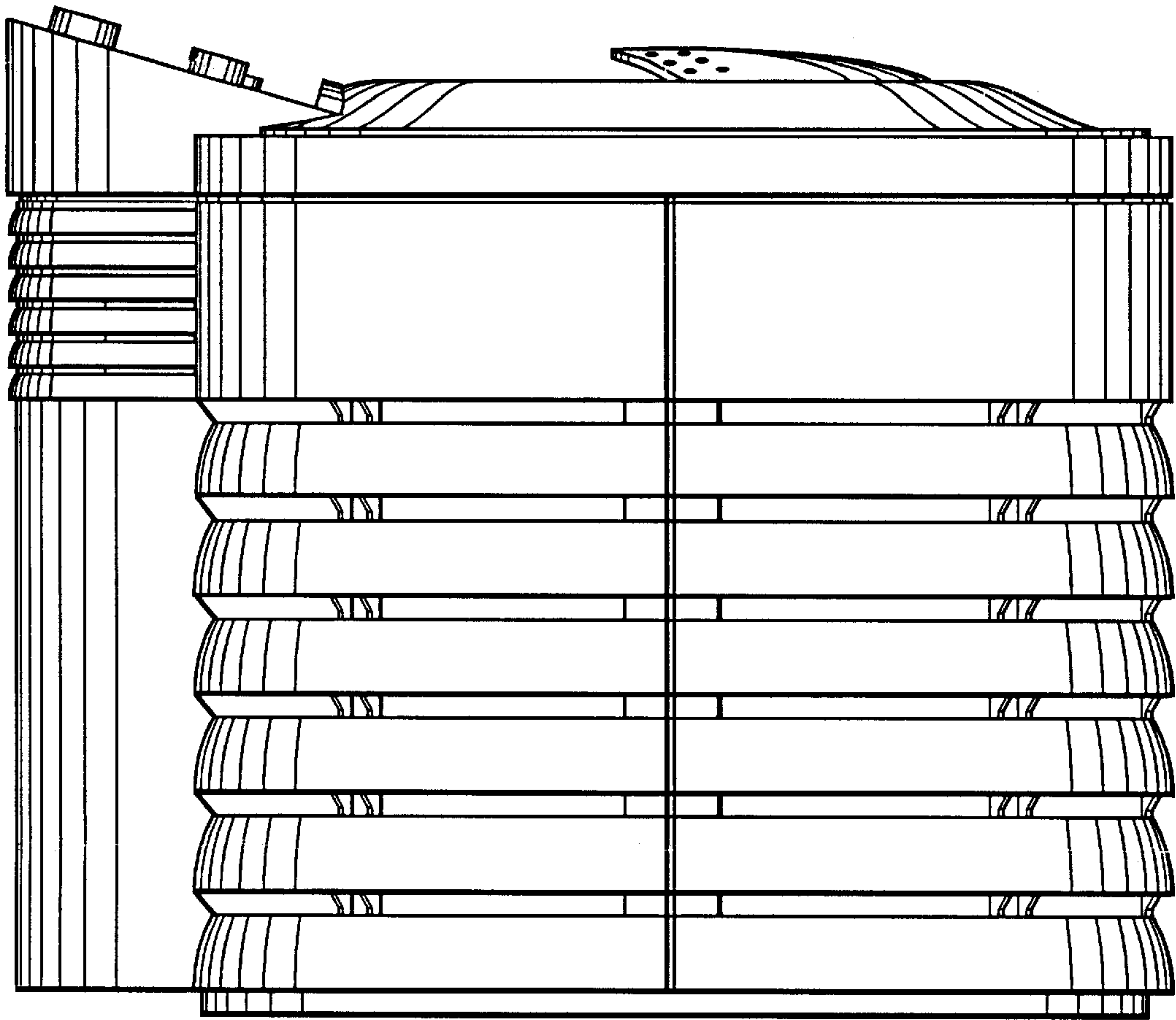


FIG. 2

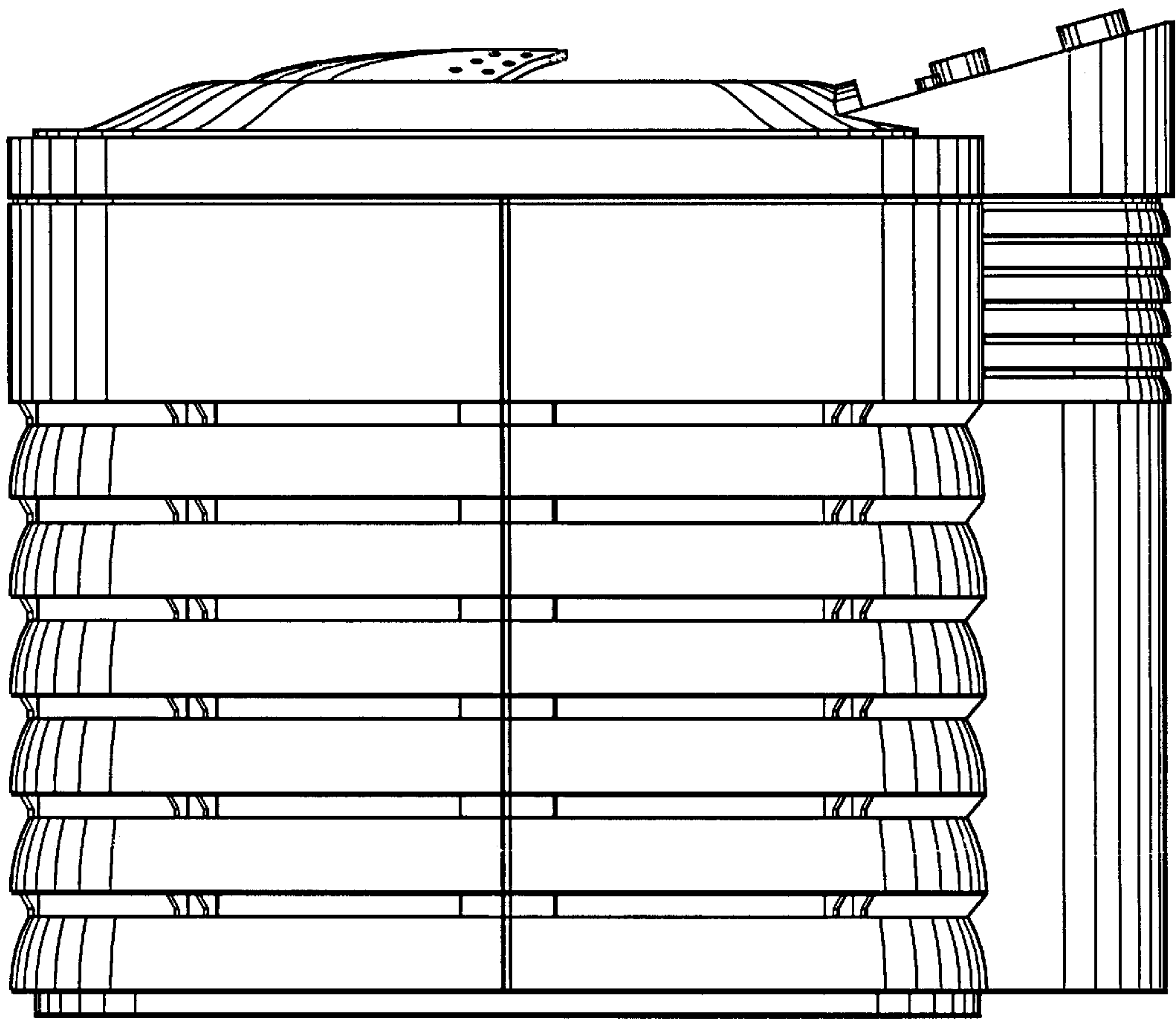


FIG. 3

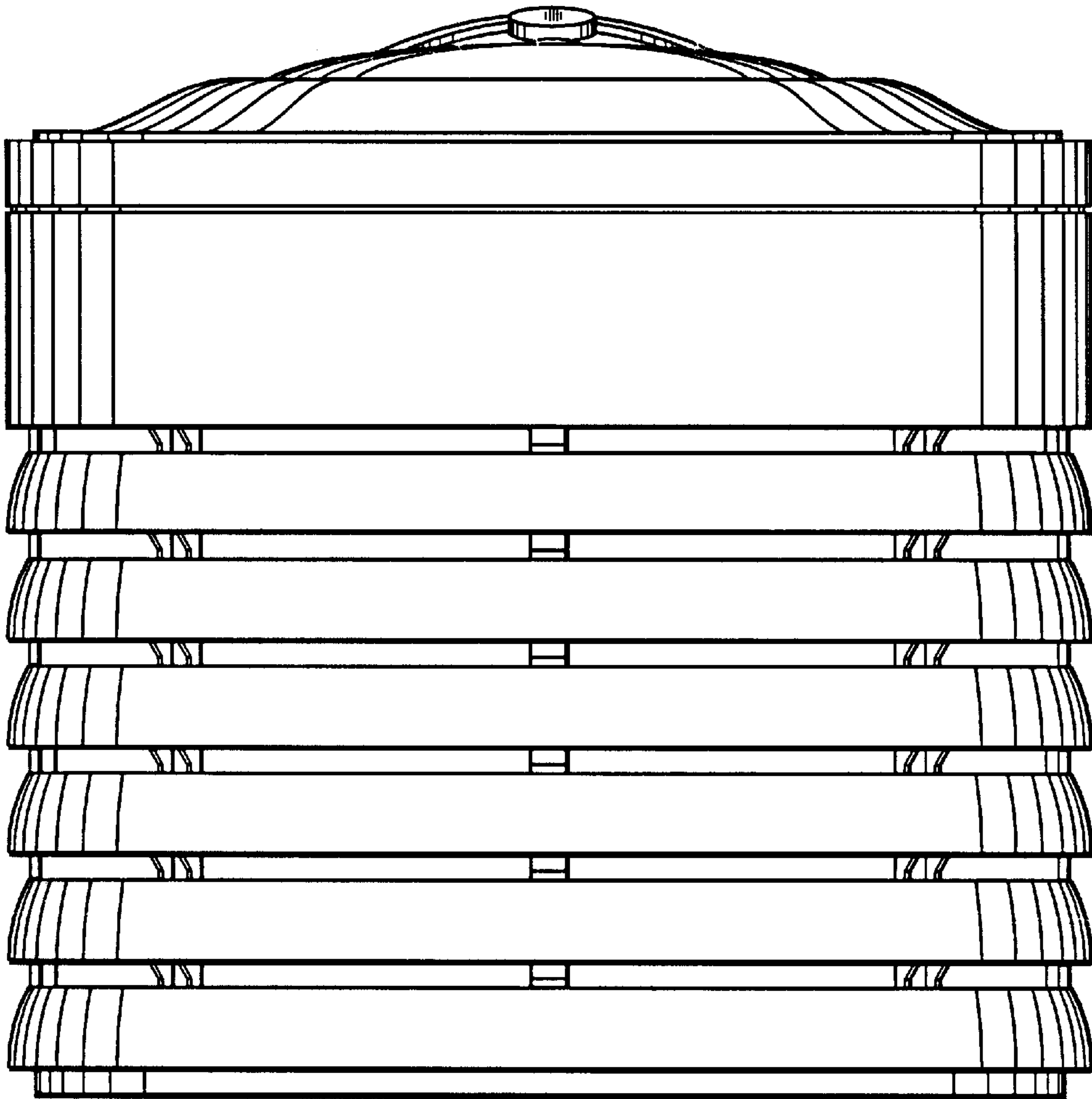


FIG. 4

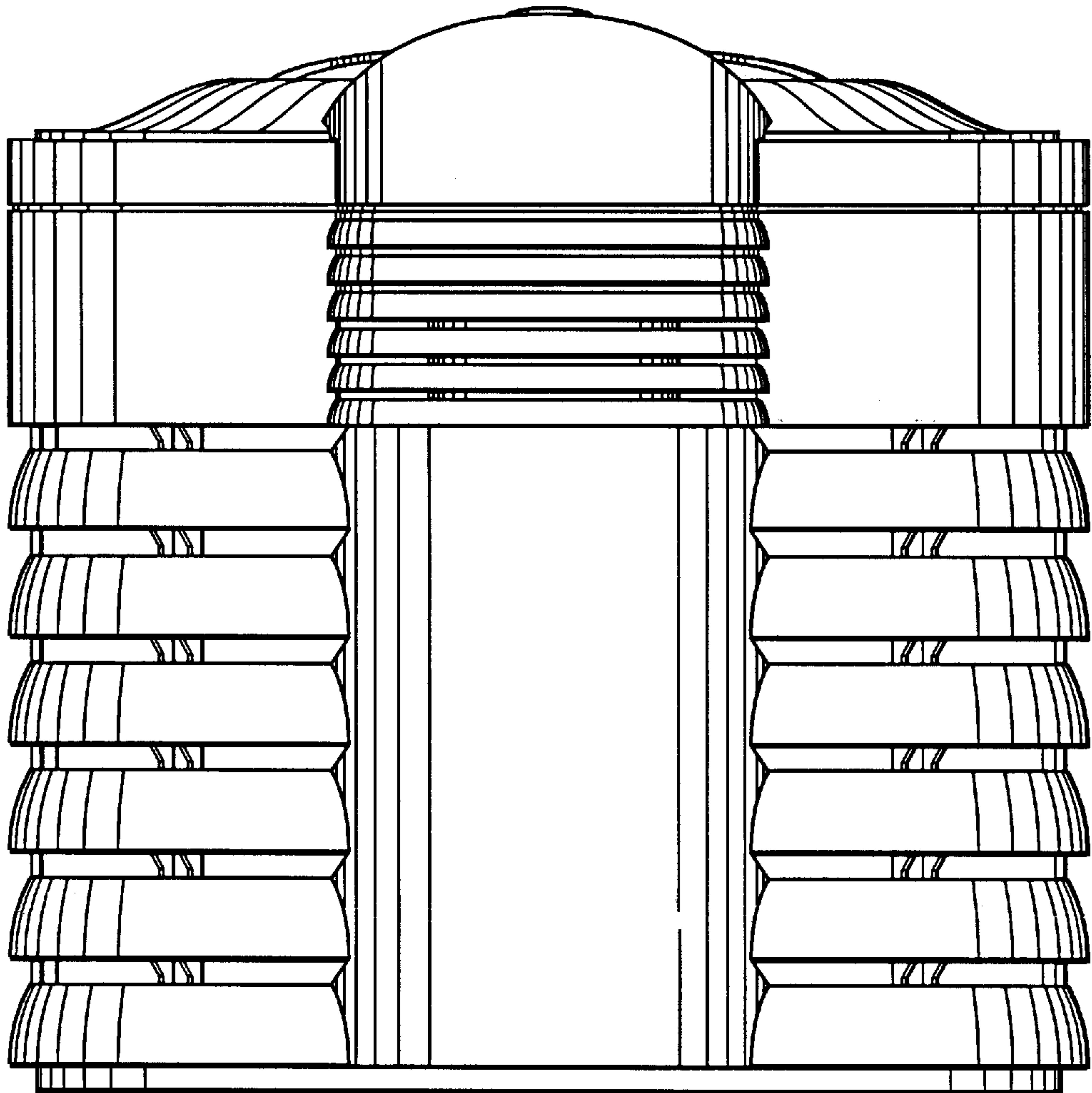


FIG. 5

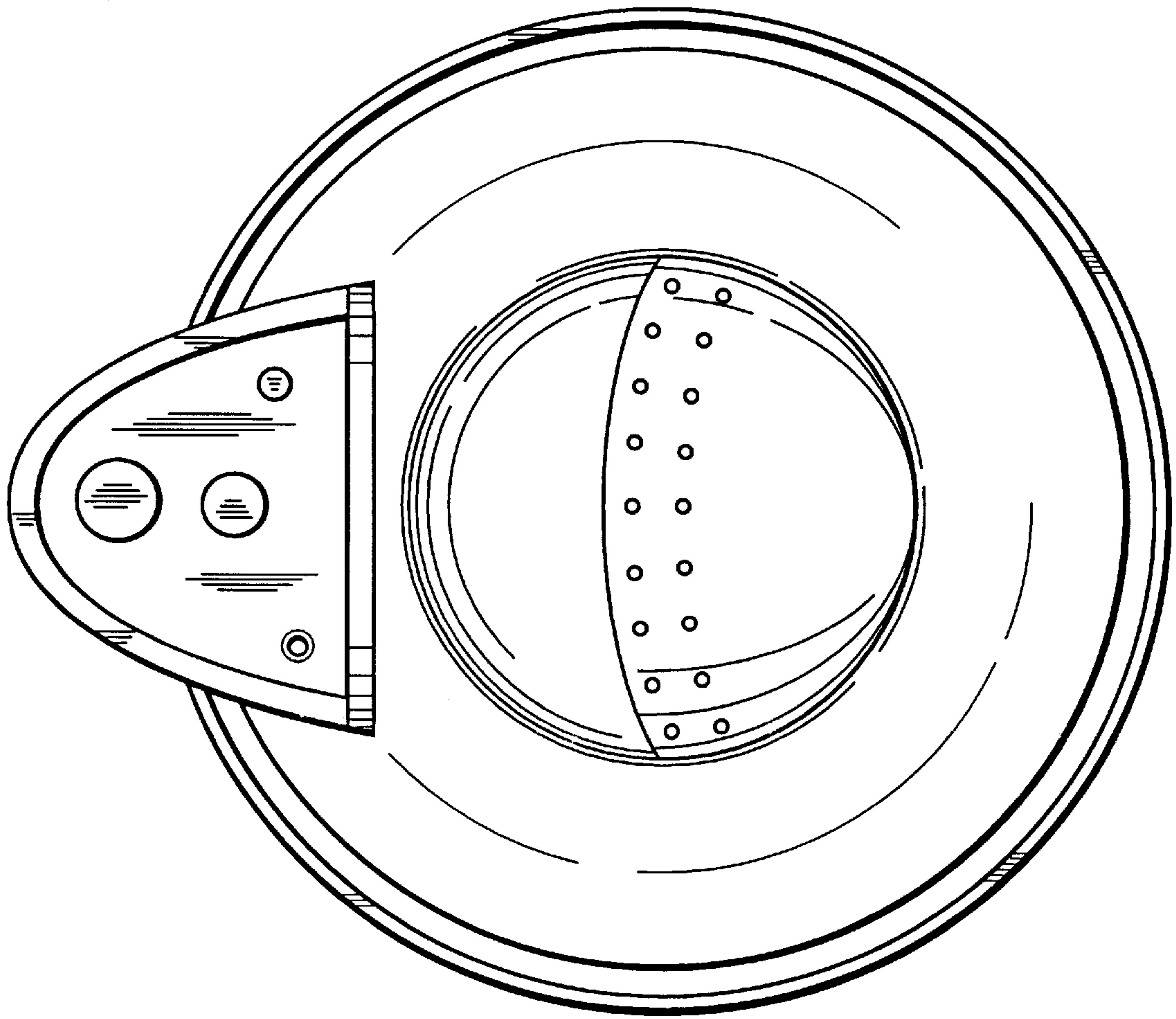


FIG. 6

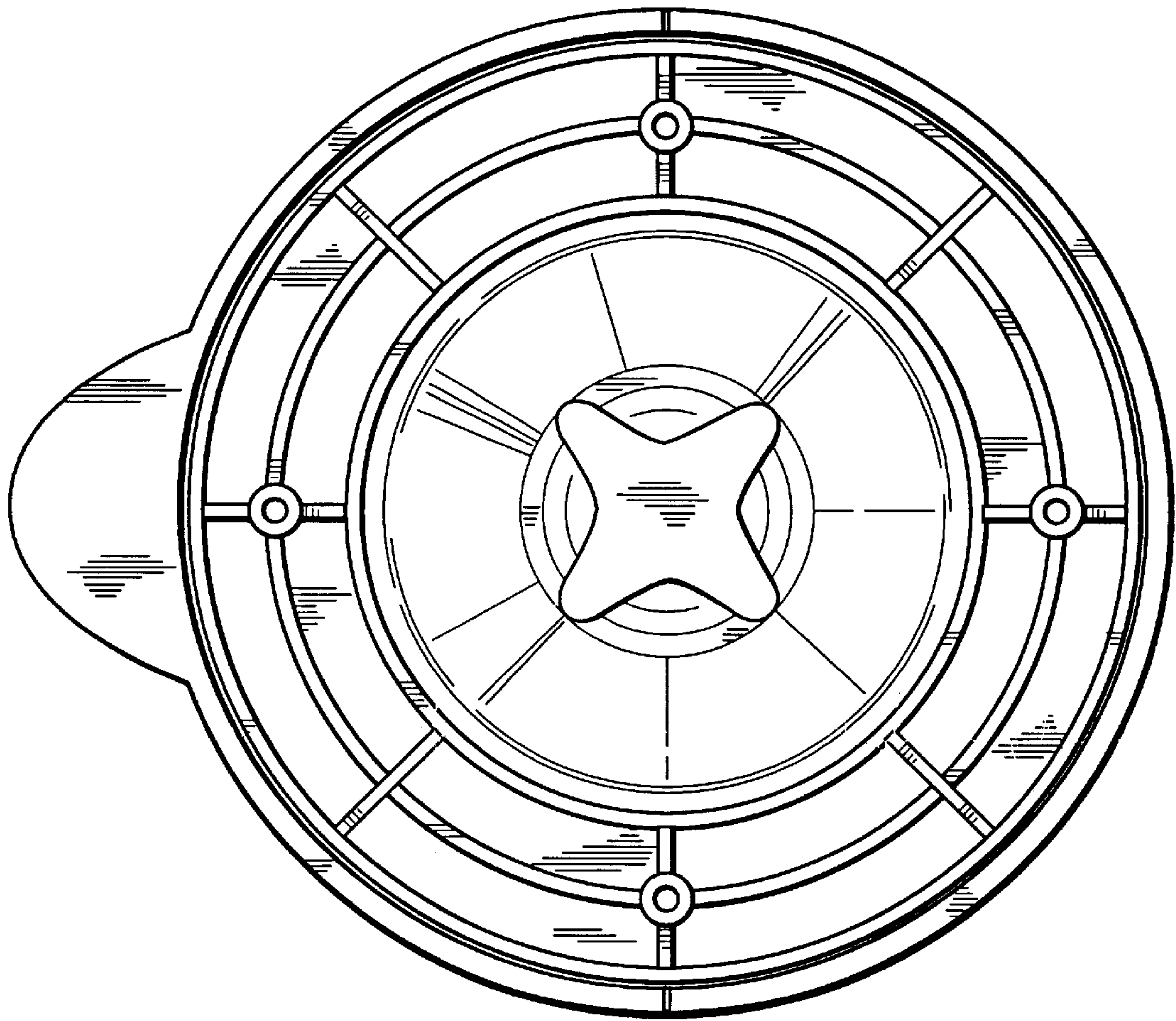


FIG. 7