



US00D400659S

United States Patent [19]

Boyle et al.

[11] **Patent Number: Des. 400,659**

[45] **Date of Patent: **Nov. 3, 1998**

[54] **PORTABLE ELECTRIC HEATER**

[75] Inventors: **Stephan Boyle**, Belmont; **Rodney B. Jane**, Westborough; **Walter Birdsell**, Shrewsbury; **Steven L. Hecker**, Waltham; **Kenneth David Harris, Jr.**, Cambridge, all of Mass.

[73] Assignee: **Honeywell Inc.**, Minneapolis, Minn.

[**] Term: **14 Years**

[21] Appl. No.: **63,641**

[22] Filed: **Dec. 12, 1996**

[51] **LOC (6) Cl. 23-03**

[52] **U.S. Cl. D23/337; D23/332; D23/335**

[58] **Field of Search D23/332, 335, D23/337, 328; 392/365-369**

[56] **References Cited**

U.S. PATENT DOCUMENTS

D. 323,382	1/1992	Wang	D23/335
D. 343,676	1/1994	Lim	D23/335
D. 371,834	7/1996	O'Grady	D23/335
D. 376,418	12/1996	Wang	D23/337

FOREIGN PATENT DOCUMENTS

2054073 8/1995 United Kingdom .

OTHER PUBLICATIONS

Tatung Adv. Flyer.

Primary Examiner—Lisa Lichtenstein

Attorney, Agent, or Firm—Loletta L. Darden

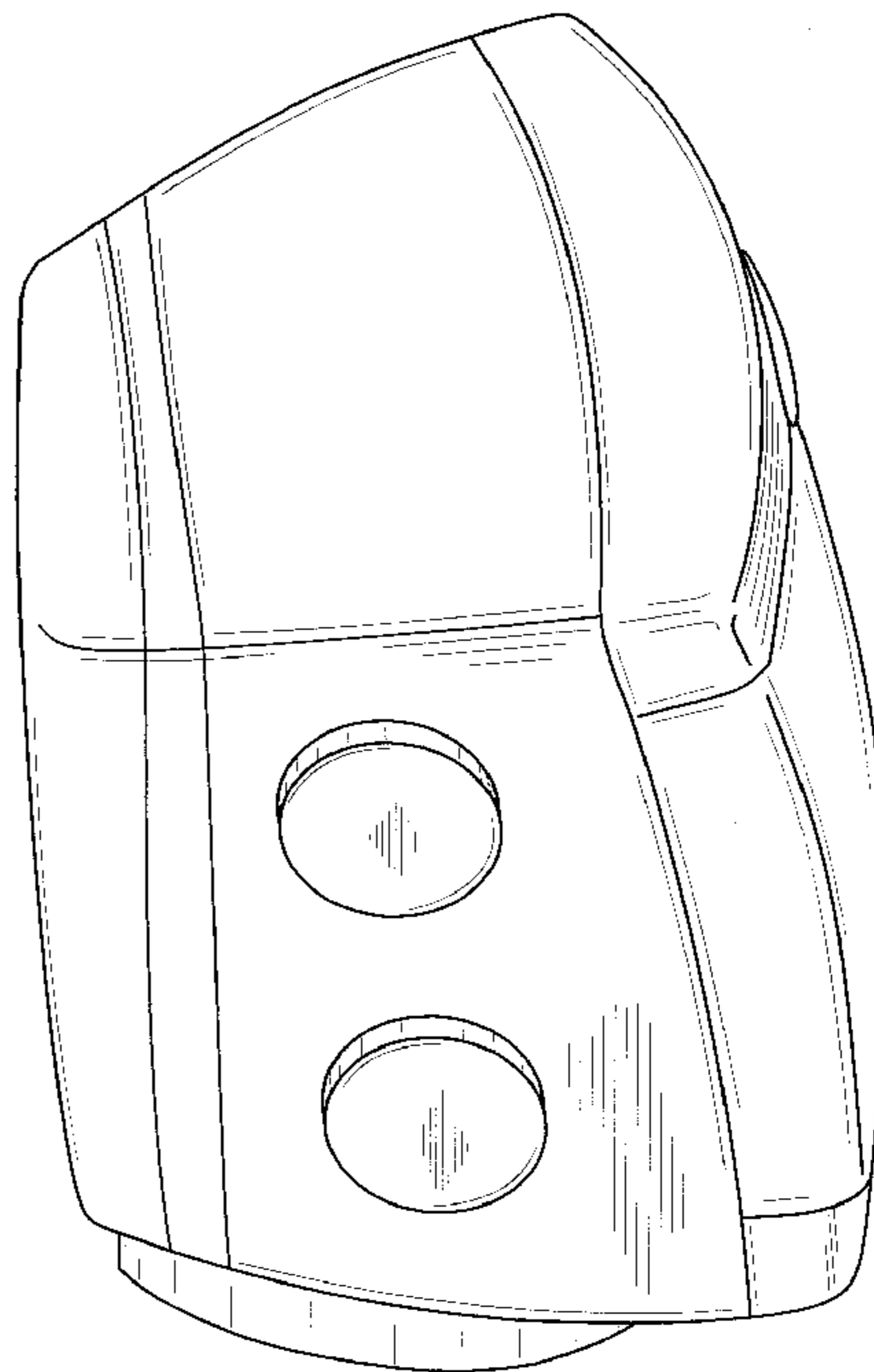
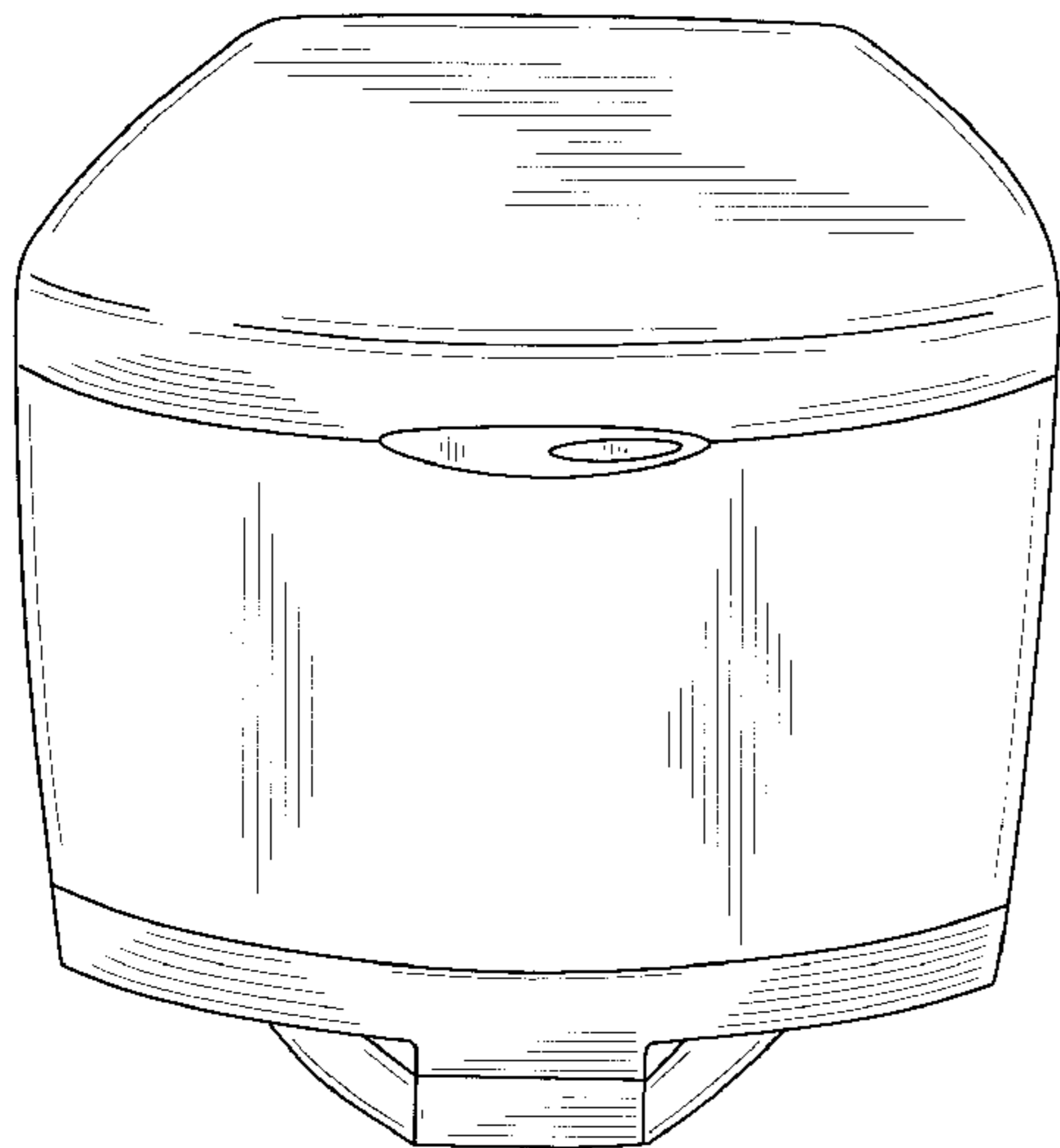
[57] **CLAIM**

The ornamental design for a portable electric heater, as shown.

DESCRIPTION

FIG. 1 shows a front perspective view of a portable electric heater incorporating our design;
 FIG. 2 shows a left side perspective view of the portable electric heater shown in FIG. 1;
 FIG. 3 shows a right side perspective view of the portable electric heater shown in FIG.1;
 FIG. 4 shows a top perspective view of the portable electric heater shown in FIG. 1;
 FIG. 5 shows a rear perspective view of the portable electric heater shown in FIG. 1; and,
 FIG. 6 shows a bottom plan view of the portable electric heater shown in FIG. 1.

1 Claim, 6 Drawing Sheets



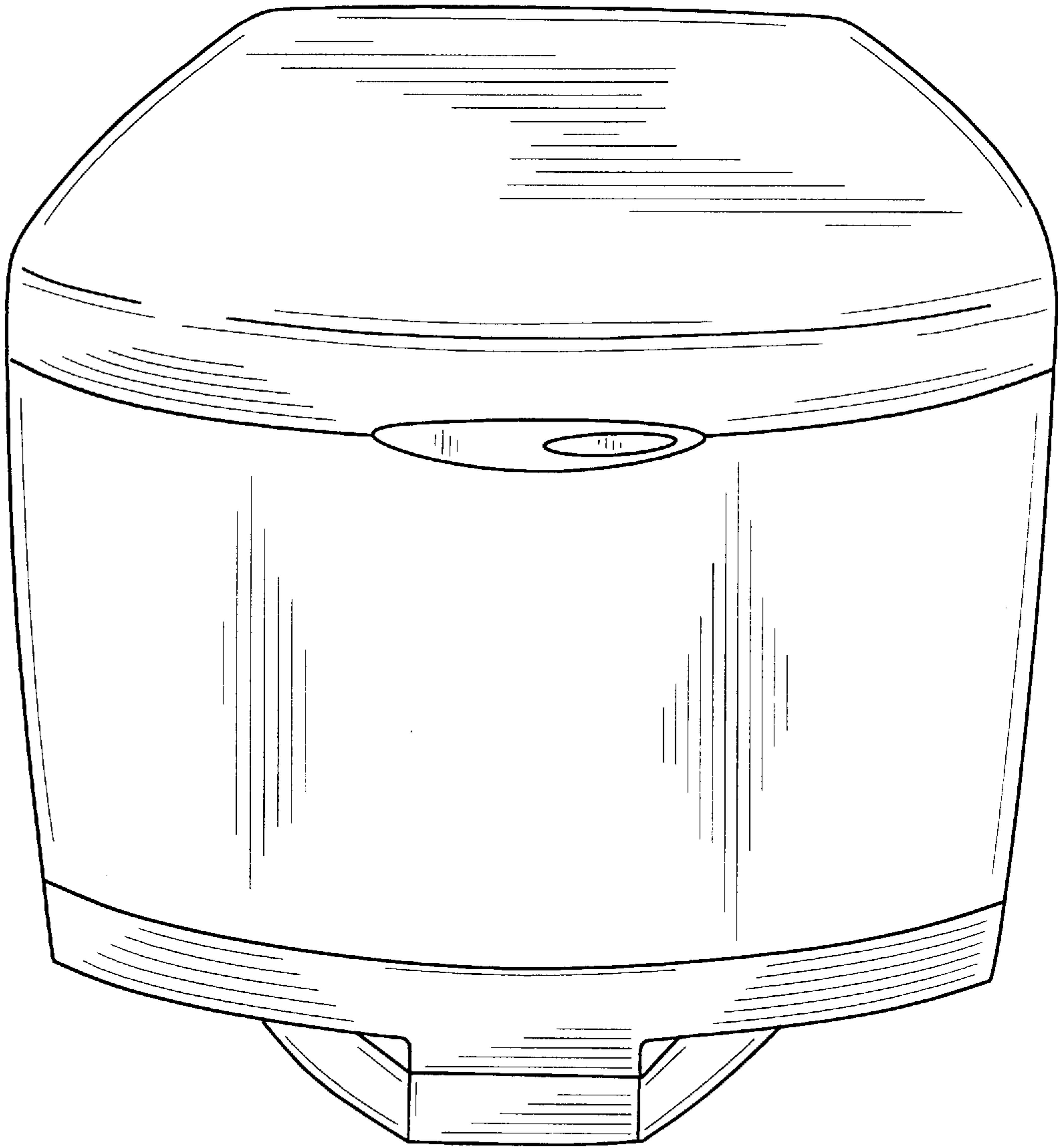


FIG. 1

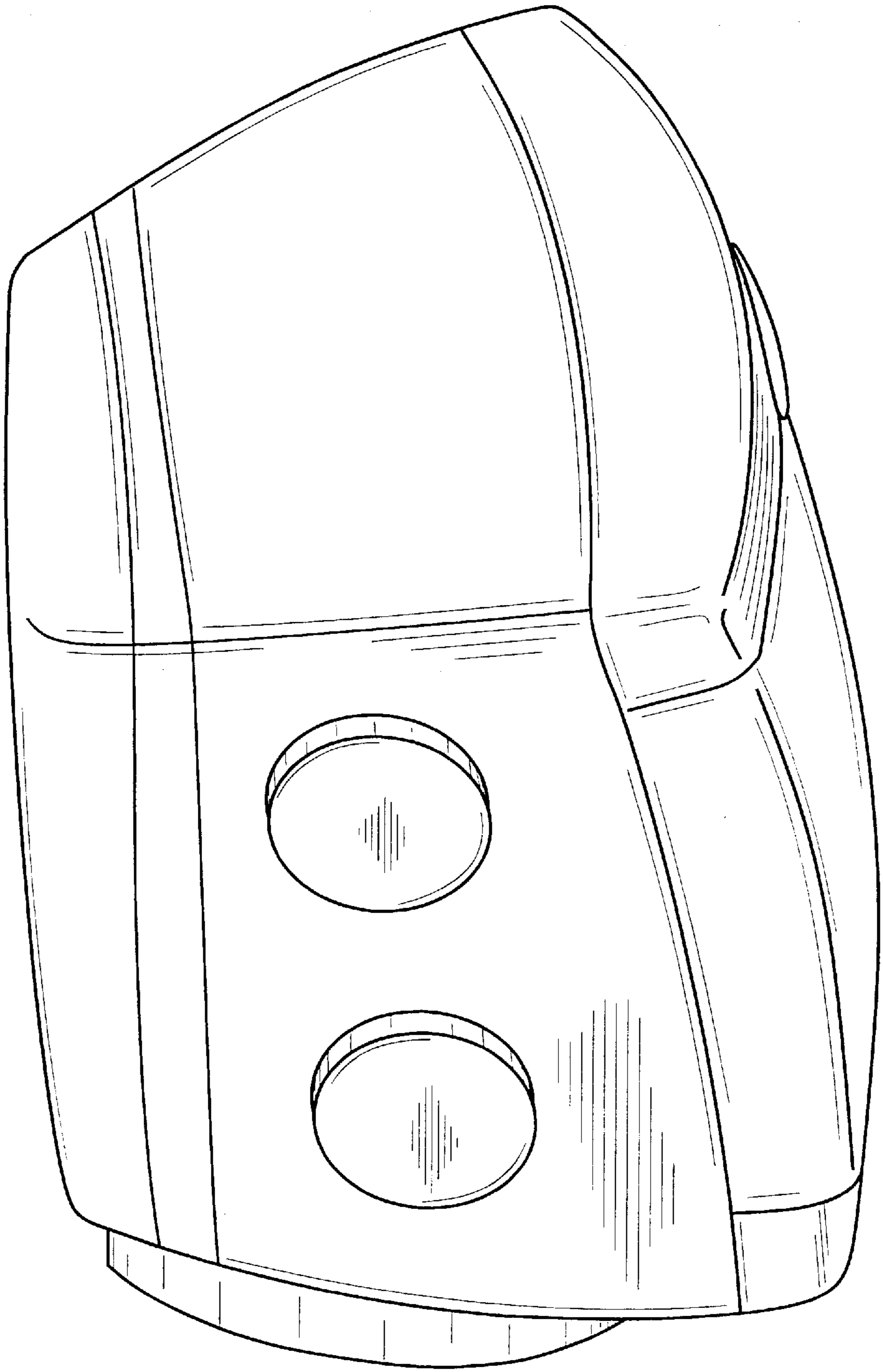


FIG. 2

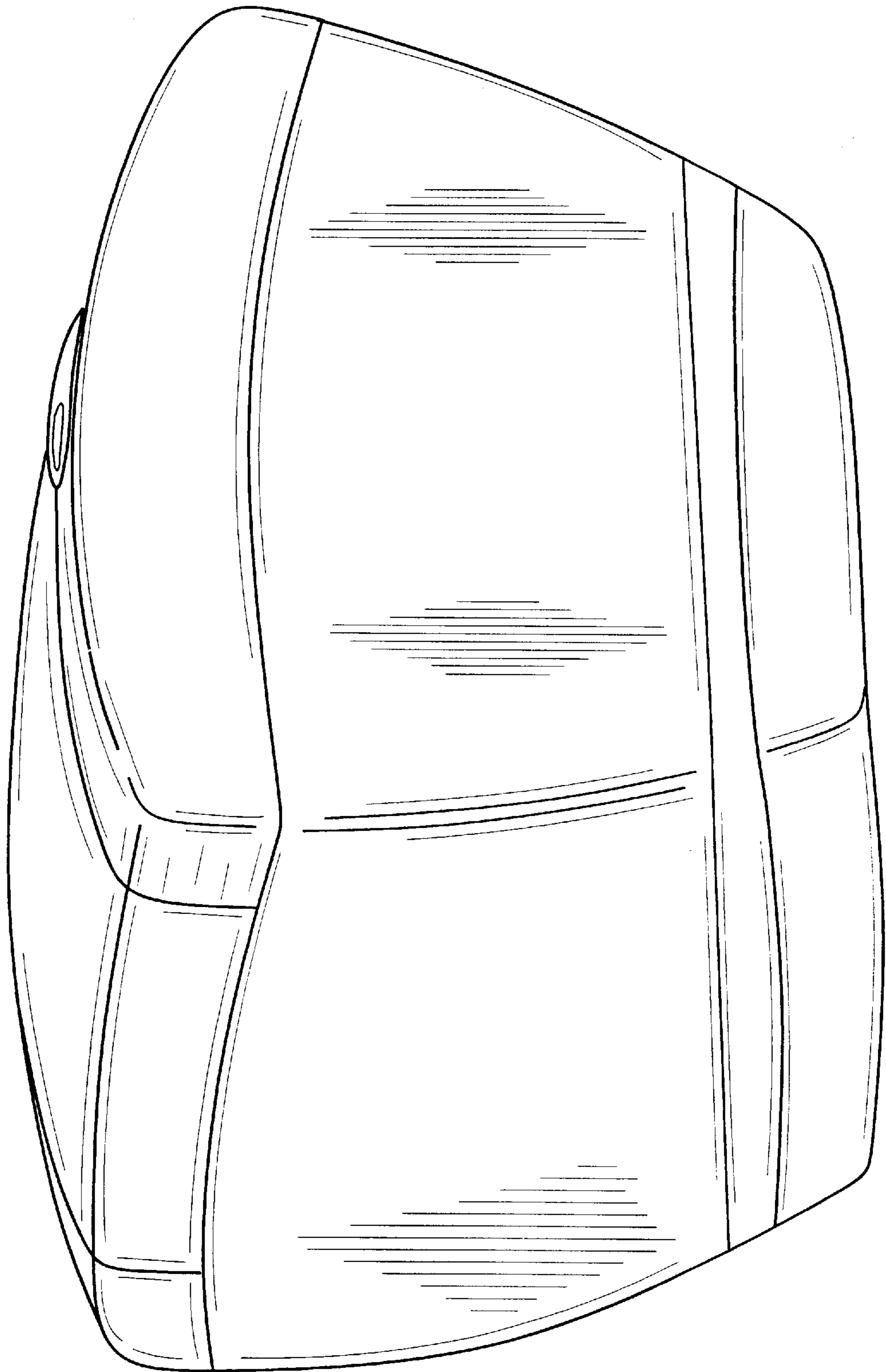


FIG. 3

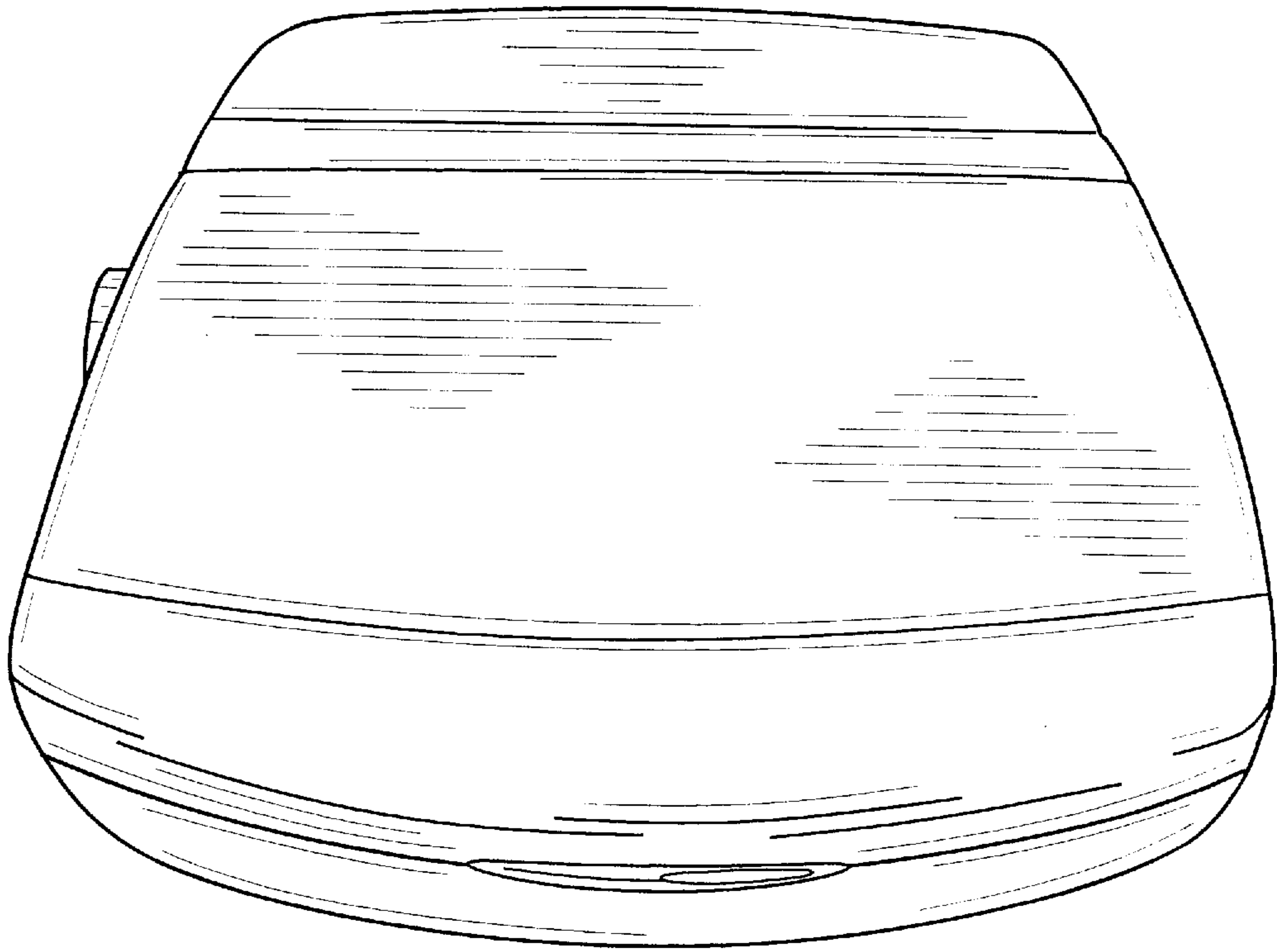


FIG. 4

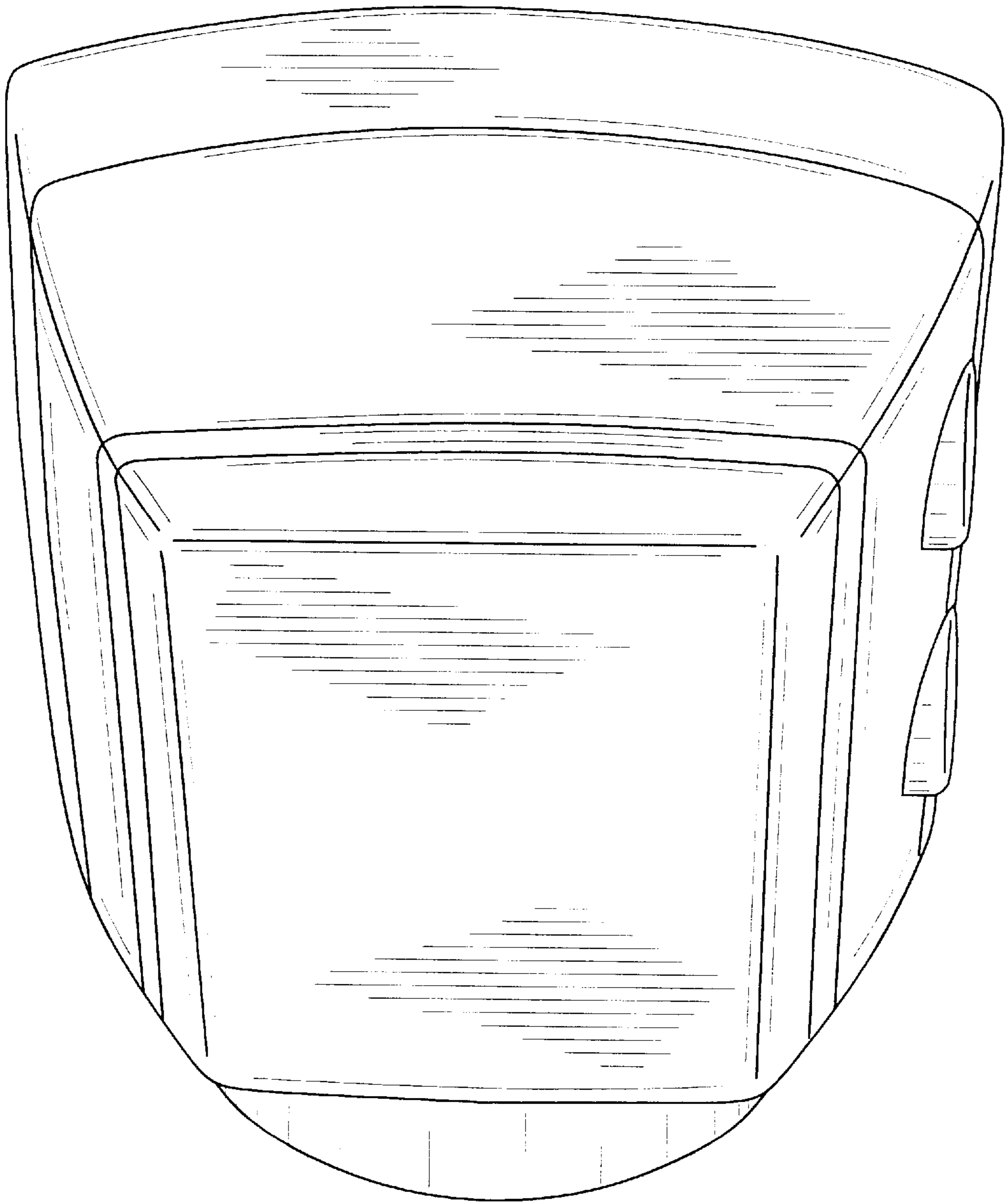


FIG. 5

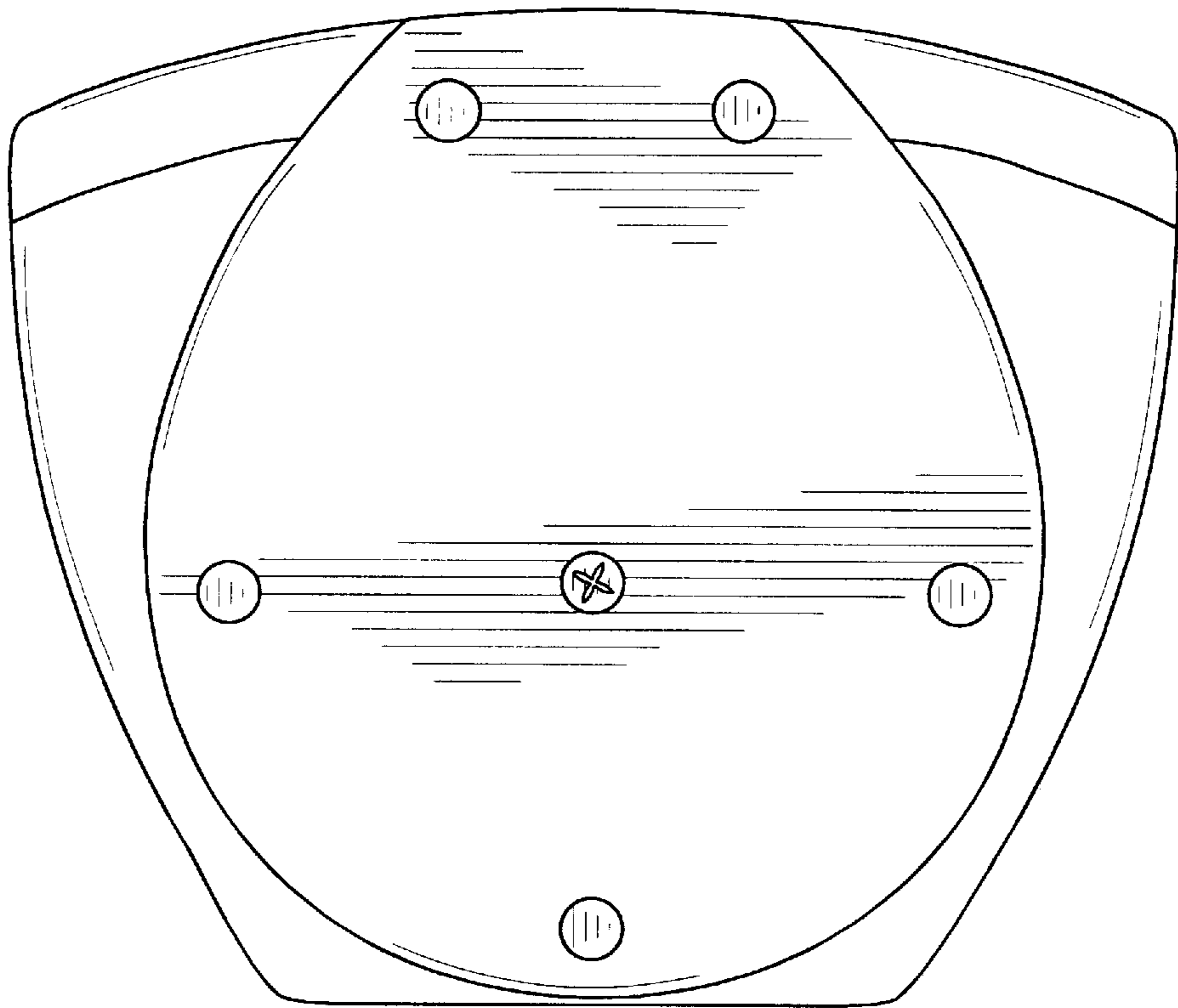


FIG. 6