

US00D400657S

United States Patent [19]
Van Marcke

[11] **Patent Number: Des. 400,657**
[45] **Date of Patent: **Nov. 3, 1998**

[54] **WASH BASIN WITH WATER DISTRIBUTION UNIT**

[75] Inventor: **Karel Carl Van Marcke**, Kruishoutem, Belgium

[73] Assignee: **International Sanitary Ware Manufacturing CY, S.A.**, Belgium

[**] Term: **14 Years**

[21] Appl. No.: **81,341**

[22] Filed: **Dec. 30, 1997**

[51] **LOC (6) Cl.** **23-02**

[52] **U.S. Cl.** **D23/284**

[58] **Field of Search** D23/284-293.1;
4/619, 624, 626, 638-650

[56] **References Cited**

U.S. PATENT DOCUMENTS

D. 224,222 7/1972 Collins D23/284

D. 328,338 7/1992 Ragonot D23/284
D. 337,377 7/1993 Bonnell et al. D23/284
D. 385,957 11/1997 Laguera Garza D23/284
D. 390,928 2/1998 Slotnoner D23/284

Primary Examiner—Louis S. Zarfes
Assistant Examiner—Eric Watterson
Attorney, Agent, or Firm—Cahill, Sutton & Thomas P.L.C.

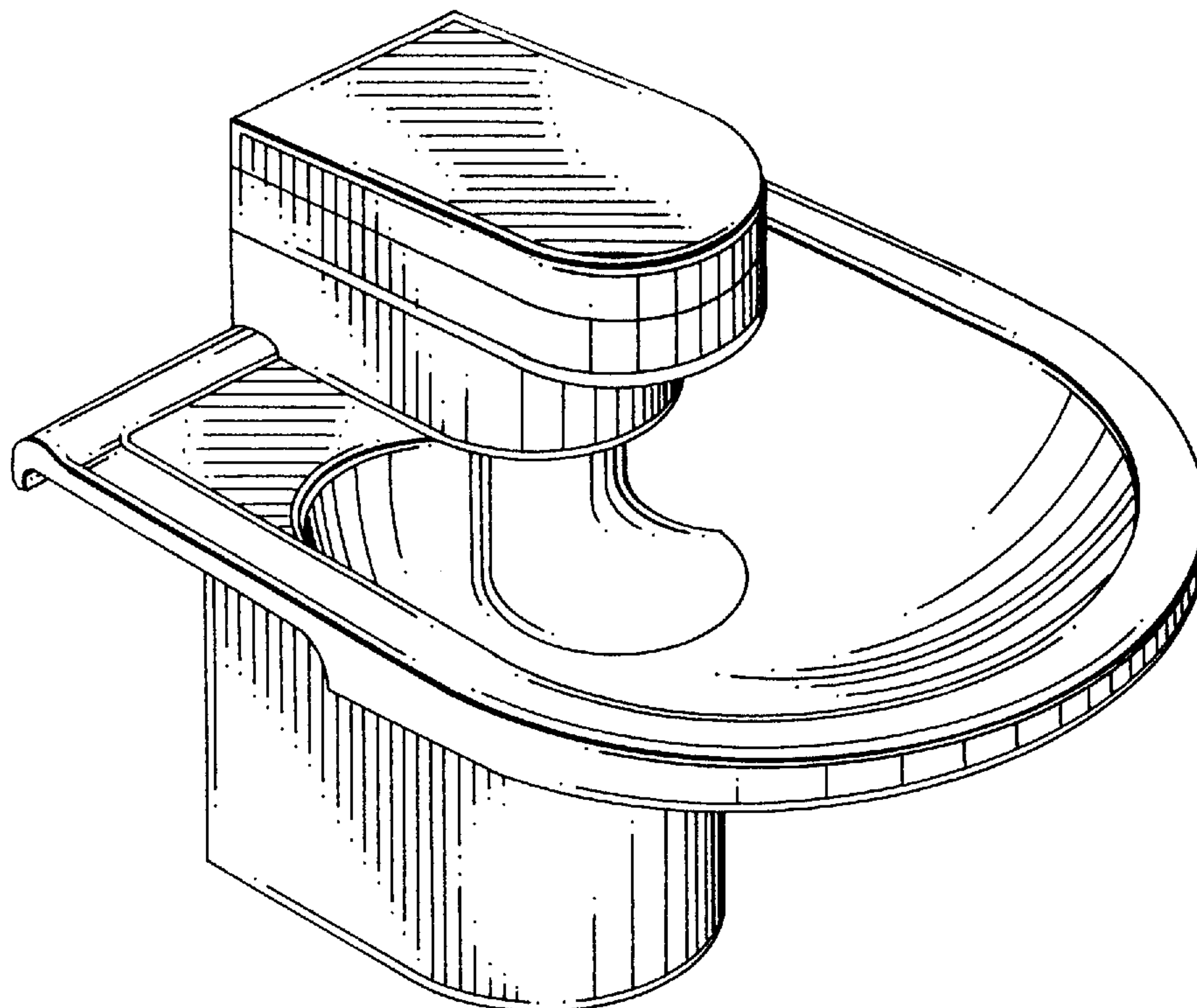
[57] **CLAIM**

The ornamental design for a wash basin with water distribution unit, as shown and described.

DESCRIPTION

FIG. 1 is a perspective view of a wash basin with water distribution unit showing my new design; FIG. 2 is a right side elevational view thereof, the left side elevational view being a mirror image; FIG. 3 is a front elevational view thereof; FIG. 4 is a rear elevational view thereof; FIG. 5 is a top plan view thereof; and, FIG. 6 is a bottom plan view thereof.

1 Claim, 2 Drawing Sheets



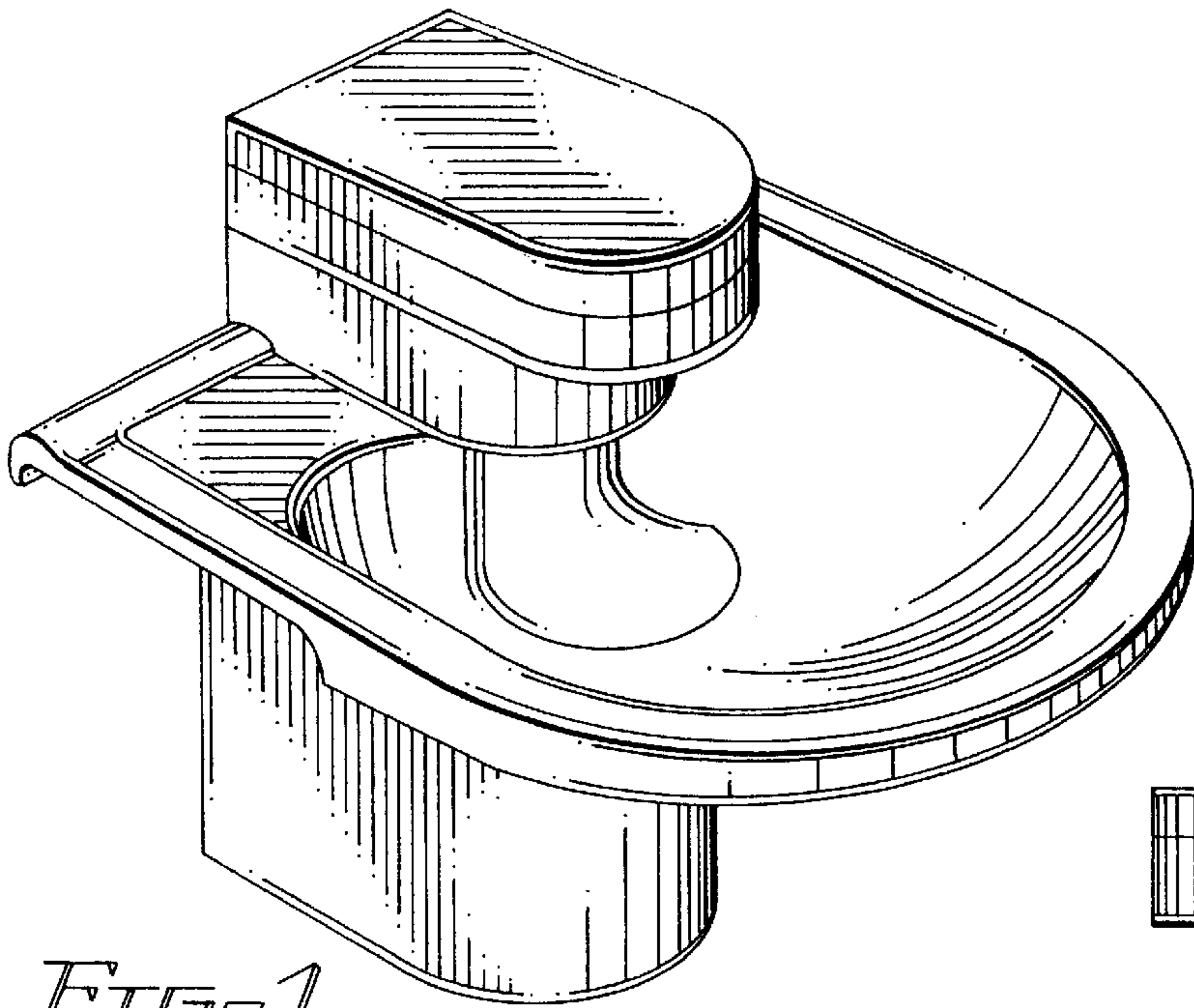


FIG. 1

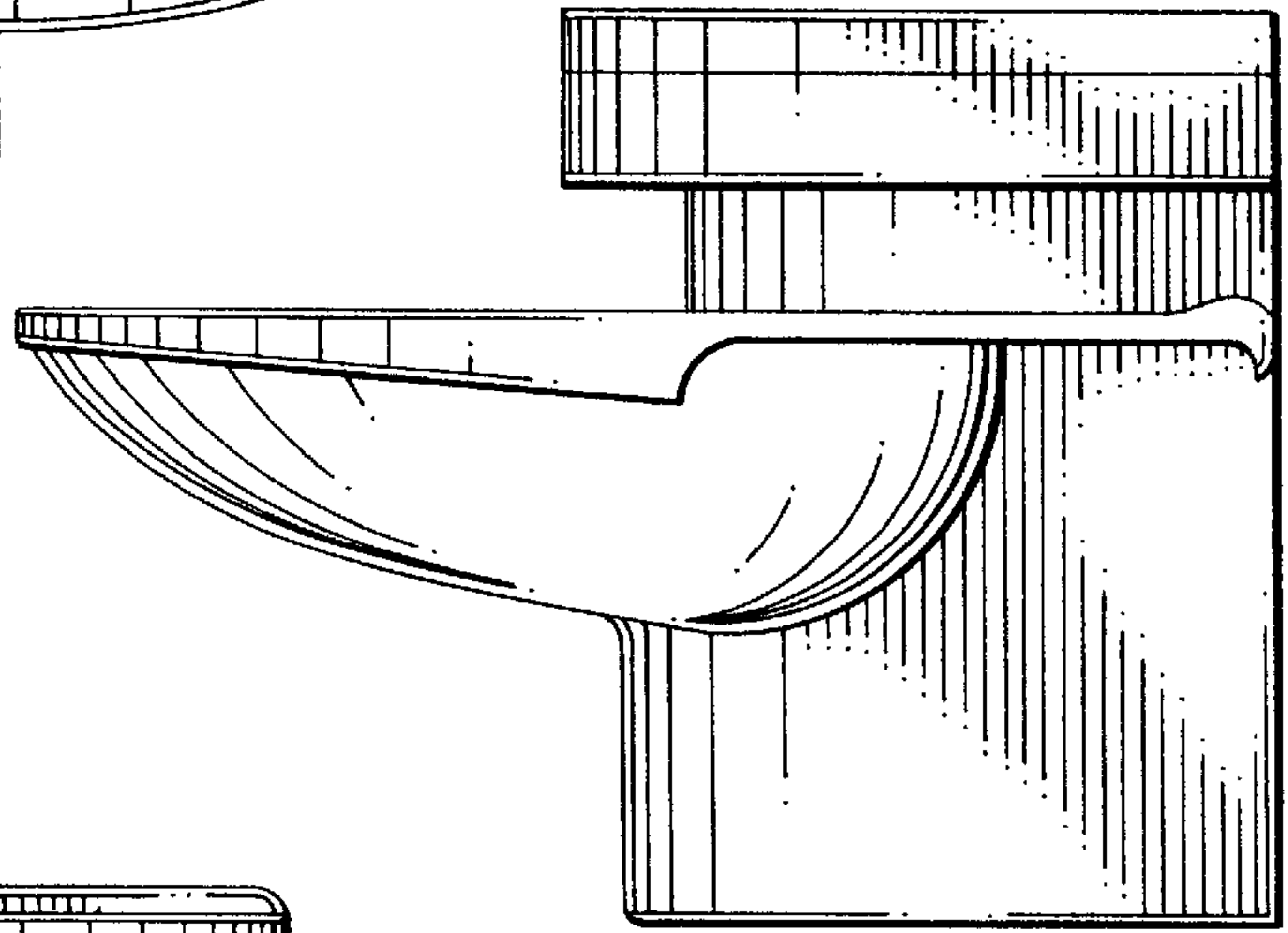


FIG. 2

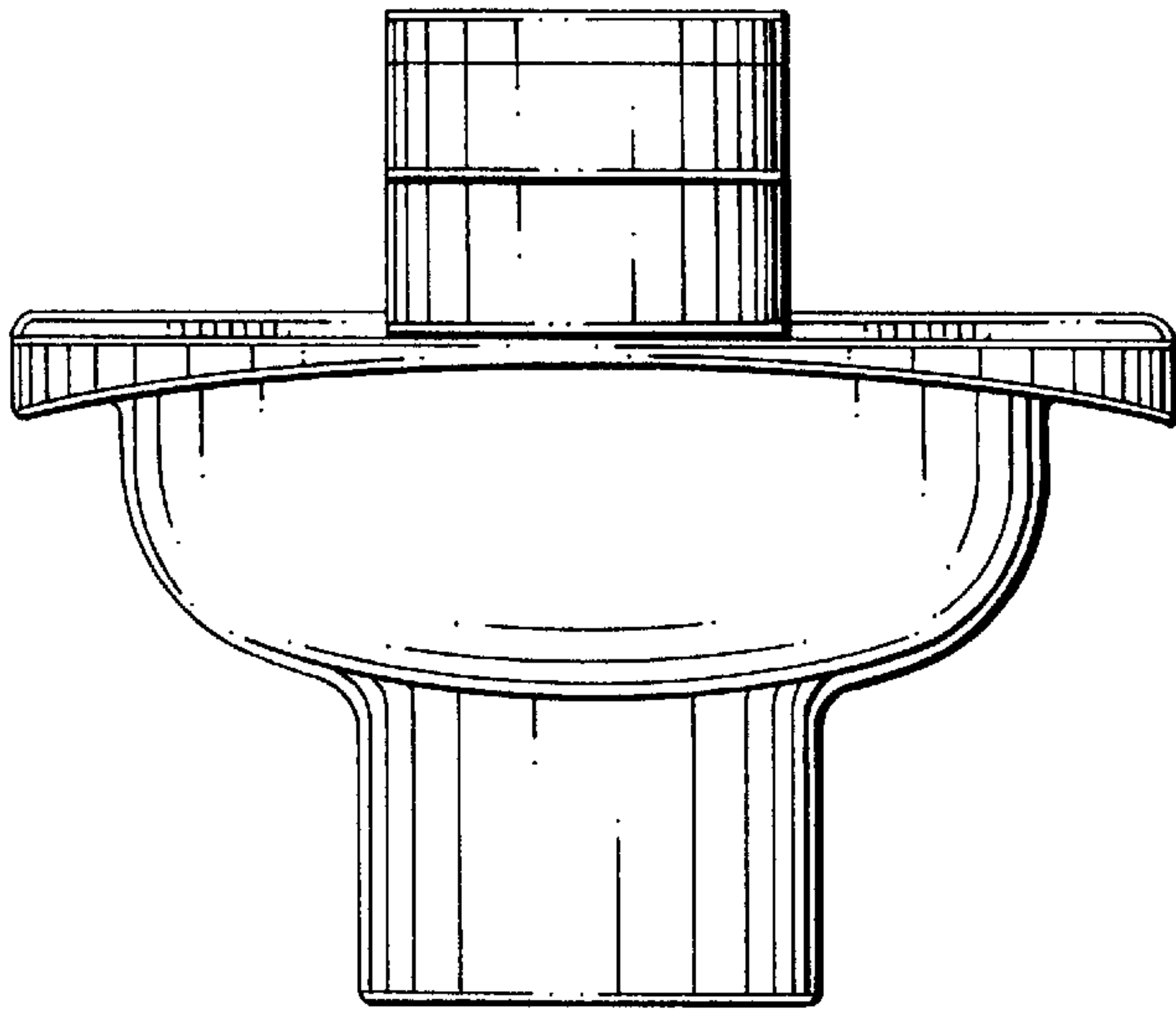


FIG. 3

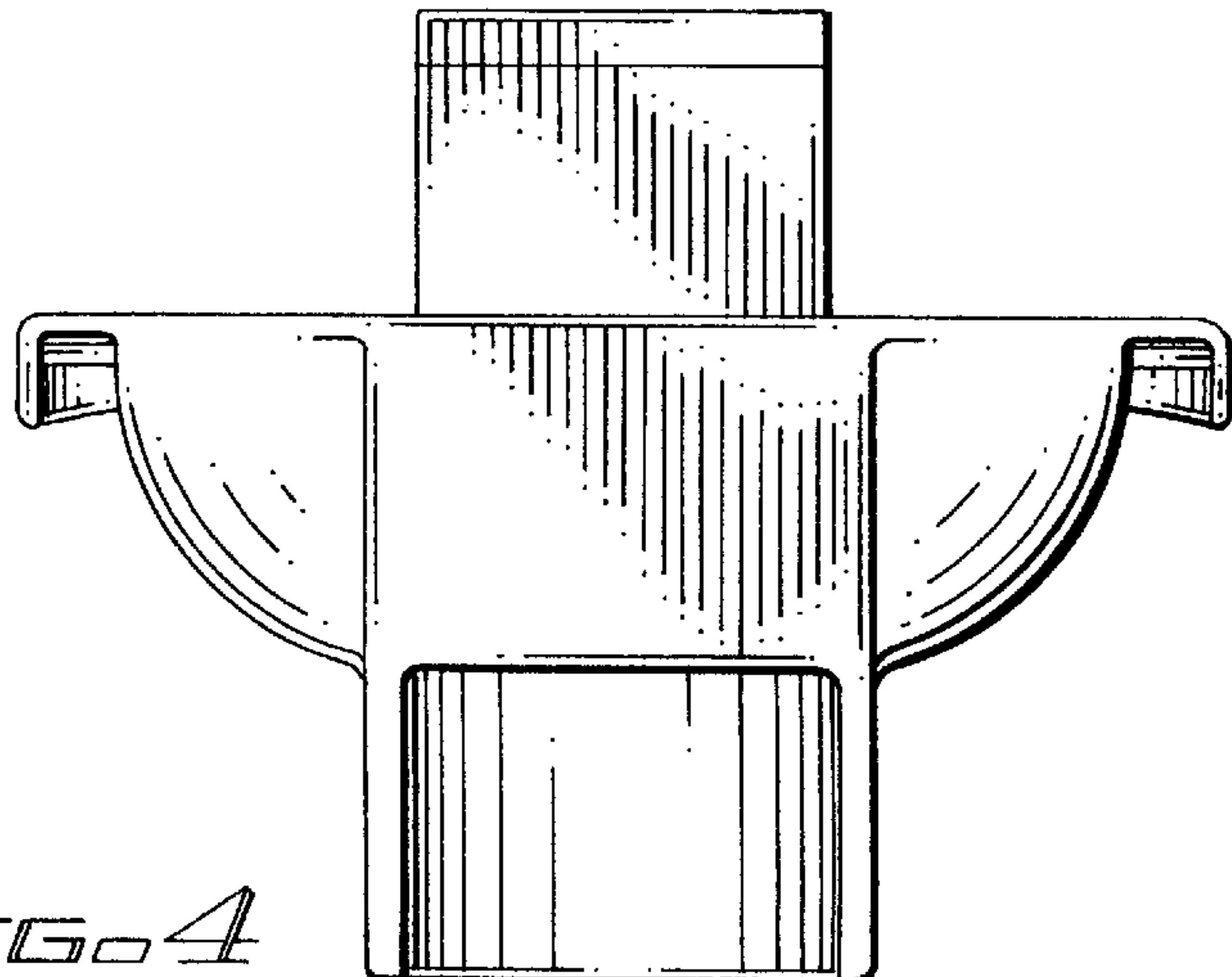


FIG. 4

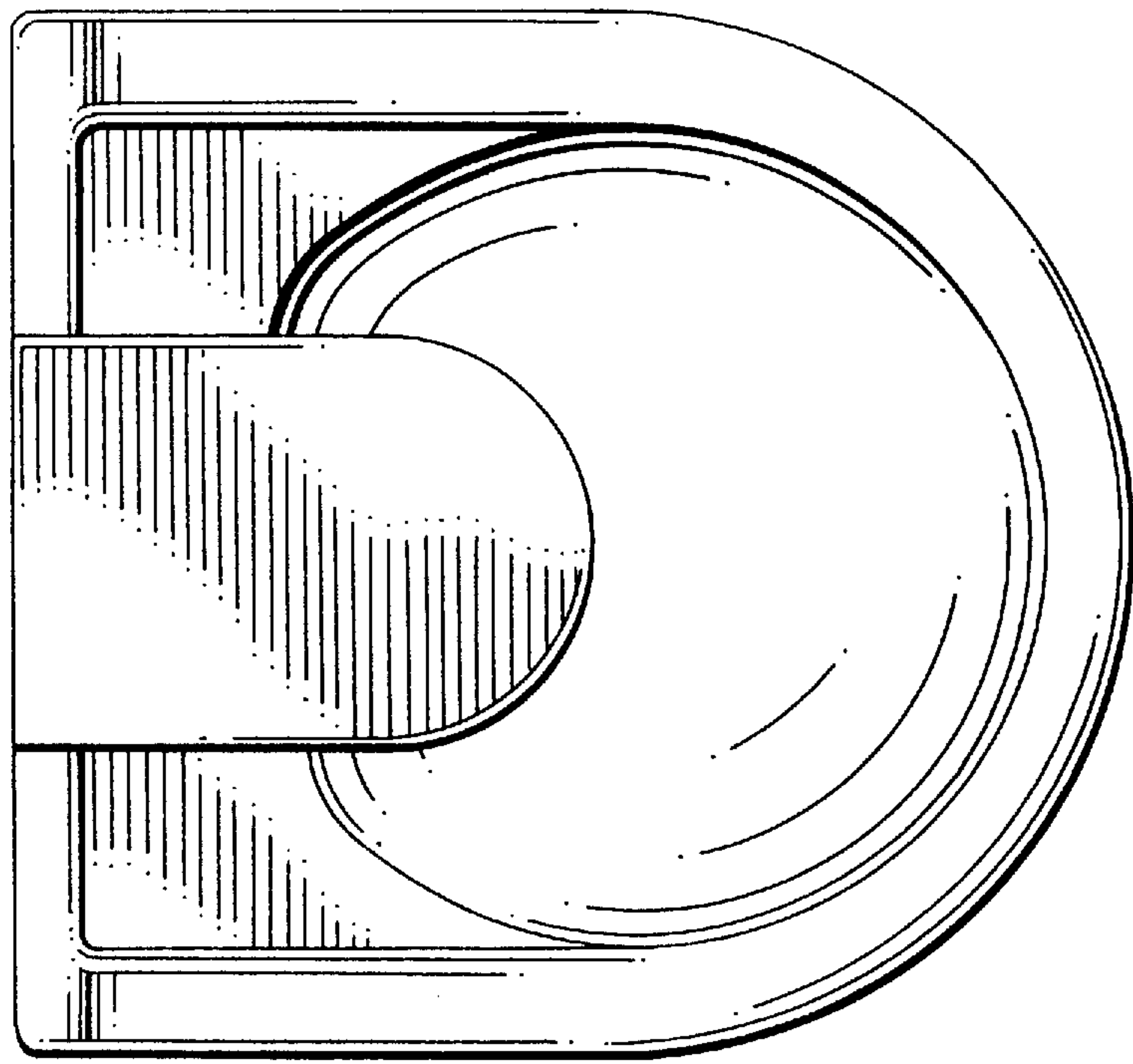


FIG. 5

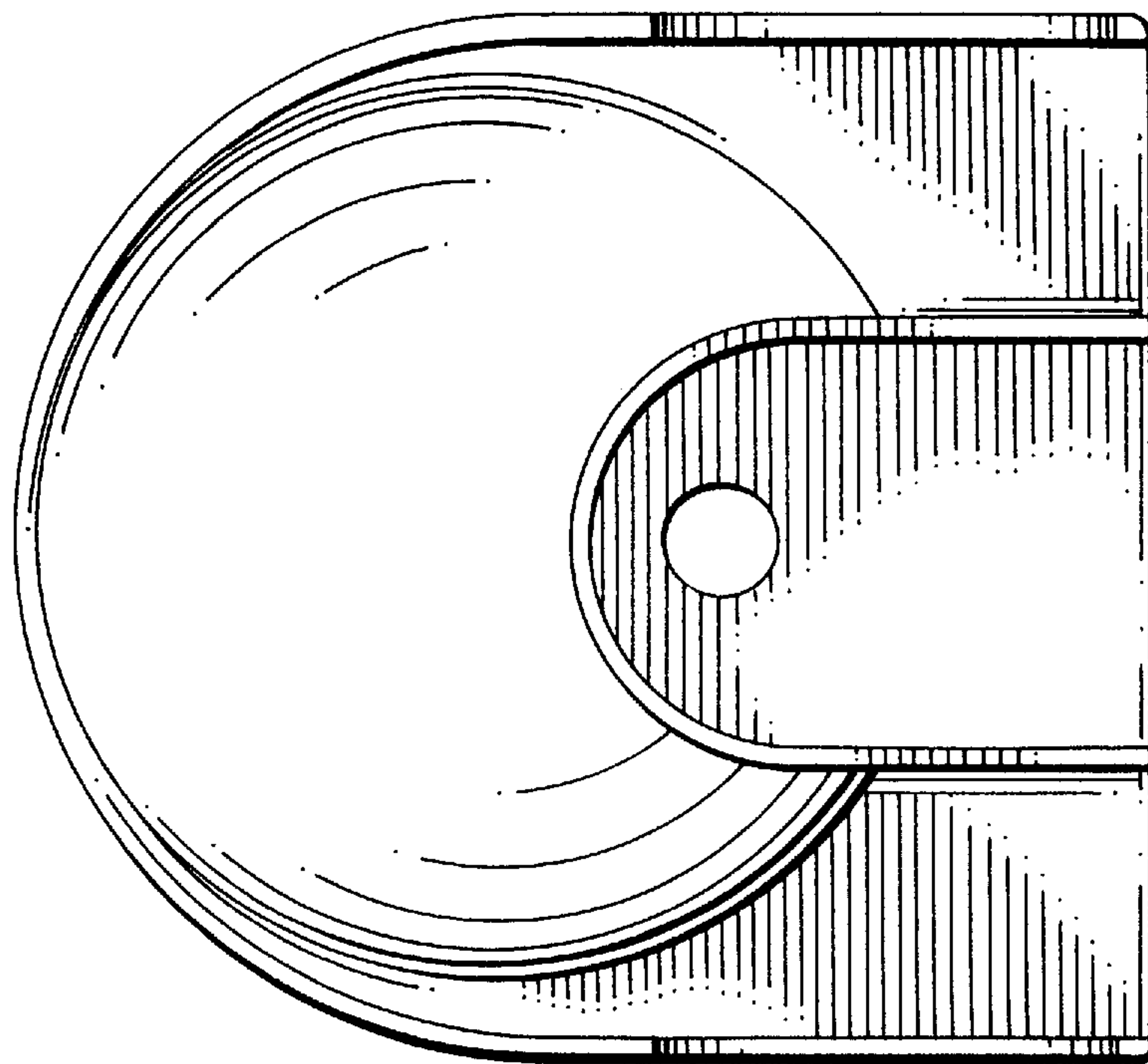


FIG. 6