



US00D400656S

United States Patent [19]
Van Marcke

[11] **Patent Number:** **Des. 400,656**

[45] **Date of Patent:** ****Nov. 3, 1998**

[54] **WASH BASIN WITH ATTACHED SHELVES**

D. 281,449 11/1985 Stairs, Jr. D23/293.1

[75] Inventor: **Karel Carl Van Marcke**, Kruishoutem, Belgium

Primary Examiner—Louis S. Zarfes
Assistant Examiner—Eric Watterson
Attorney, Agent, or Firm—Cahill, Sutton & Thomas P.L.C.

[73] Assignee: **International Sanitary Ware Manufacturing CY, S.A.**, Belgium

[57] **CLAIM**

[**] Term: **14 Years**

The ornamental design for a wash basin with attached shelves, as shown and described.

[21] Appl. No.: **81,333**

DESCRIPTION

[22] Filed: **Dec. 30, 1997**

FIG. 1 is a perspective view of a wash basin with attached shelves showing my new design;

[51] **LOC (6) Cl.** **23-02**

FIG. 2 is a right side elevational view thereof, the left side elevational view being a mirror image;

[52] **U.S. Cl.** **D23/284**

[58] **Field of Search** D23/284-293.1;
4/619, 624, 625, 638-650

FIG. 3 is a partial front elevational view thereof wherein the missing section of the right side shelf is a mirror image of the left side shelf shown;

[56] **References Cited**

U.S. PATENT DOCUMENTS

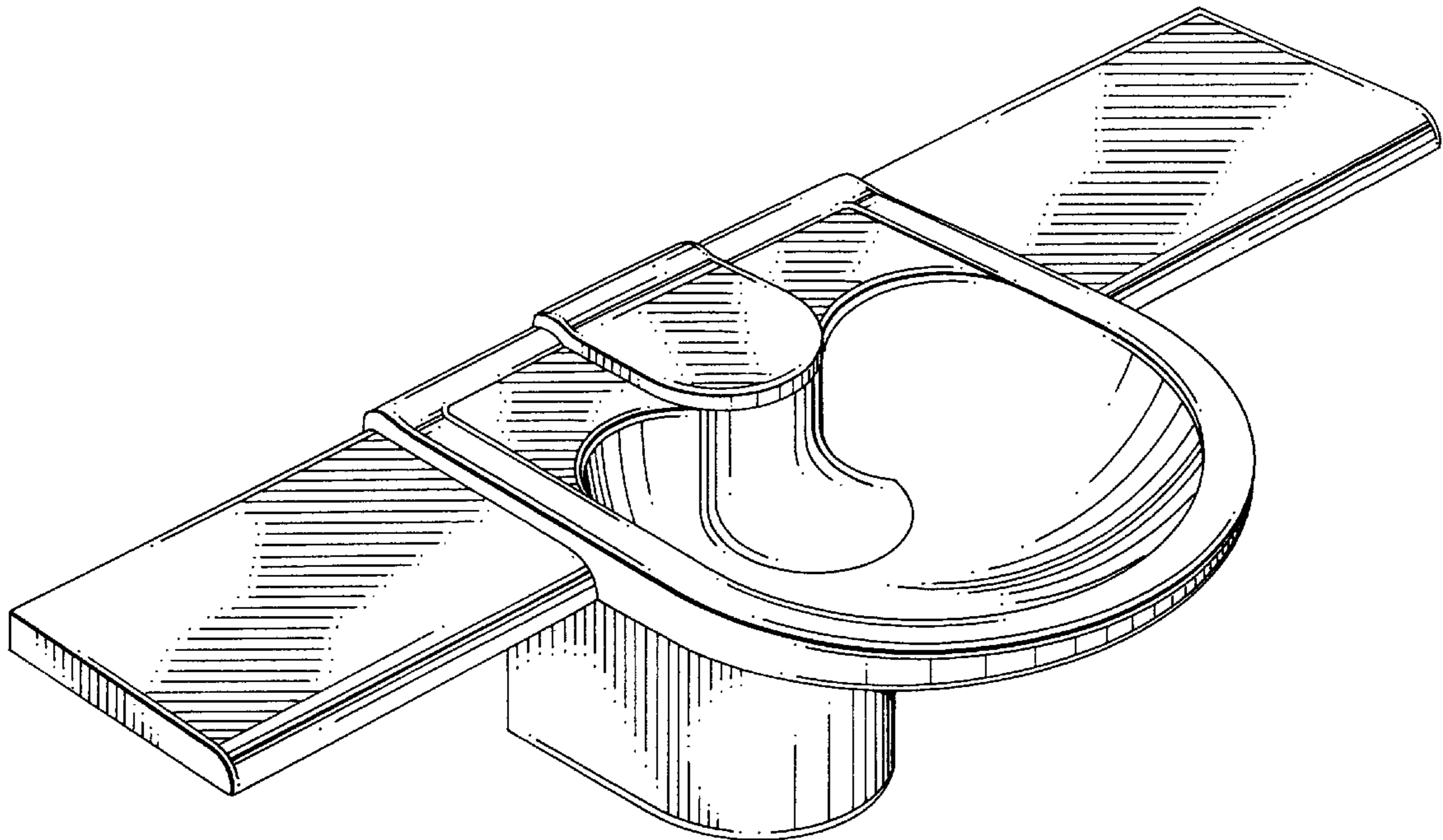
- D. 246,050 10/1977 Gardsi D23/293.1
- D. 260,678 9/1981 Hiller D23/290
- D. 267,336 12/1982 Fortuno D23/293.1
- D. 274,166 6/1984 Kaiser D23/293.1

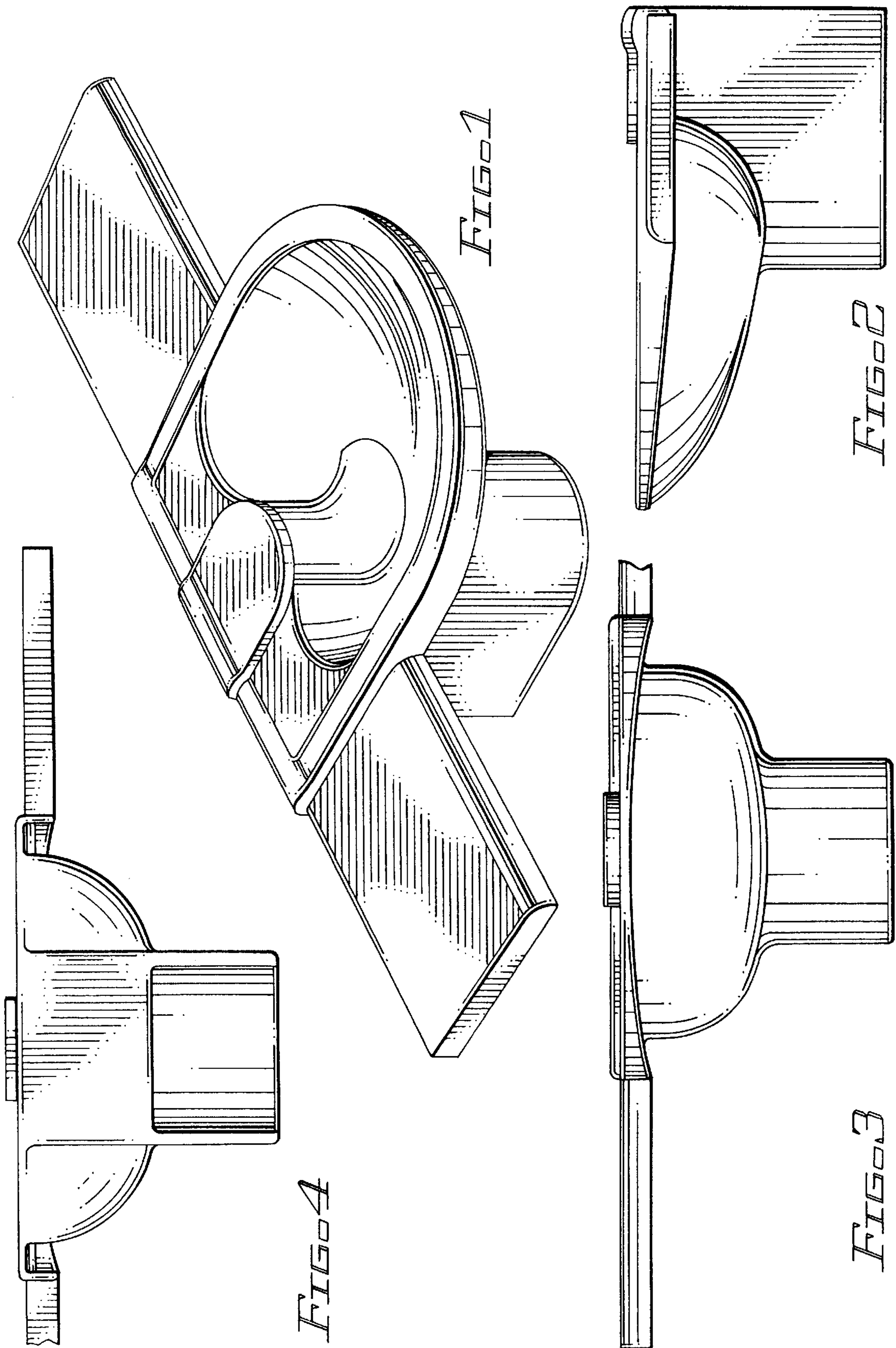
FIG. 4 is a partial rear elevational view thereof wherein the missing right side shelf is a mirror image of the left side shelf shown;

FIG. 5 is a top plan view thereof; and,

FIG. 6 is a bottom plan view thereof.

1 Claim, 2 Drawing Sheets





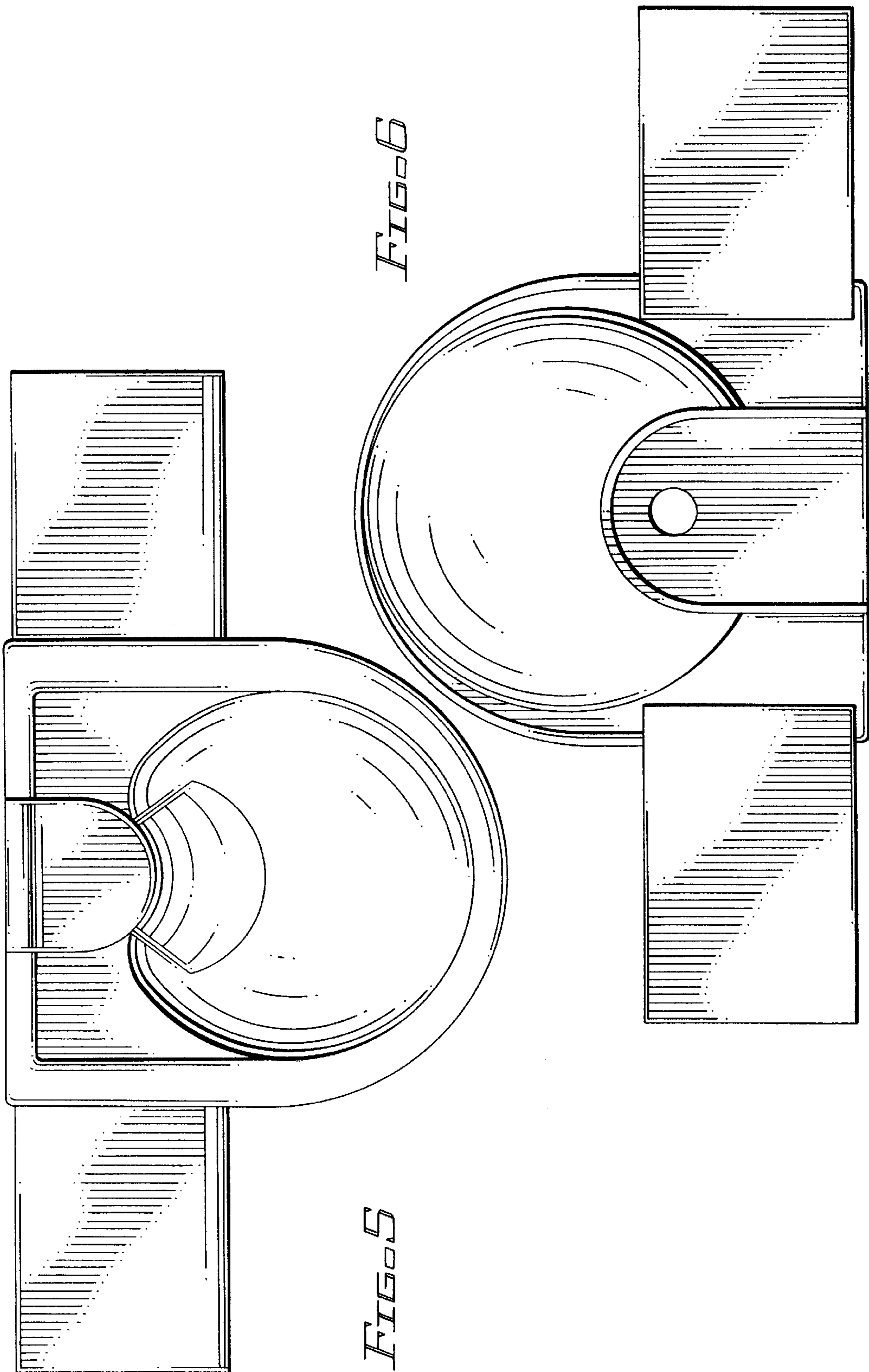


FIG. 6

FIG. 5