



US00D400655S

# United States Patent [19]

Thompson

[11] **Patent Number:** **Des. 400,655**

[45] **Date of Patent:** **\*\*Nov. 3, 1998**

[54] **INFANT BATHTUB WITH COMPARTMENT**

[76] Inventor: **Patricia Thompson**, 6228 Shelbourne St., Philadelphia, Pa. 19111

[\*\*] Term: **14 Years**

[21] Appl. No.: **81,122**

[22] Filed: **Dec. 23, 1997**

[51] **LOC (6) Cl.** ..... **23-02**

[52] **U.S. Cl.** ..... **D23/278**

[58] **Field of Search** ..... D23/297-301, D23/296, 277-280.4; 4/572.1, 235, 239, 586, 590, 483, 476-479, 448, 902

[56] **References Cited**

**U.S. PATENT DOCUMENTS**

D. 251,303	3/1979	Boissonneault	.....	D23/52
D. 266,980	11/1982	Roslan	.....	D23/278
D. 289,319	4/1987	Kujawski et al.	.....	D23/278
D. 360,933	8/1995	Crossley et al.	.....	D23/278
3,964,471	6/1976	Saethre	.....	128/65
4,061,395	12/1977	Boole	.....	297/192
5,092,001	3/1992	Ross et al.	.....	4/572.1
5,181,284	1/1993	Raphael et al.	.....	4/572.1
5,425,149	6/1995	Crossley et al.	.....	4/572.1

*Primary Examiner*—Louis S. Zarfaz  
*Assistant Examiner*—Eric Watterson  
*Attorney, Agent, or Firm*—Goldstein & Canino

[57] **CLAIM**

The ornamental design for an infant bathtub with compartment, as shown and described.

**DESCRIPTION**

FIG. 1 is a perspective view of the infant bathtub with compartment, the compartment being in the closed position; FIG. 2 is a perspective view of the infant bathtub with compartment, the compartment being in the open position, in full lines with bottles shown in broken lines representing environmental association matter being for illustrative purposes only and forming no part of the claimed invention; FIG. 3 is a front elevational view of the infant bathtub with compartment, the compartment being in the closed position; FIG. 4 is a rear elevational view thereof; FIG. 5 is a right side elevational view thereof, the left side view being a mirror image of the right side view; FIG. 6 is a top plan view of the infant bathtub with compartment; and, FIG. 7 is a bottom plan view thereof.

**1 Claim, 2 Drawing Sheets**

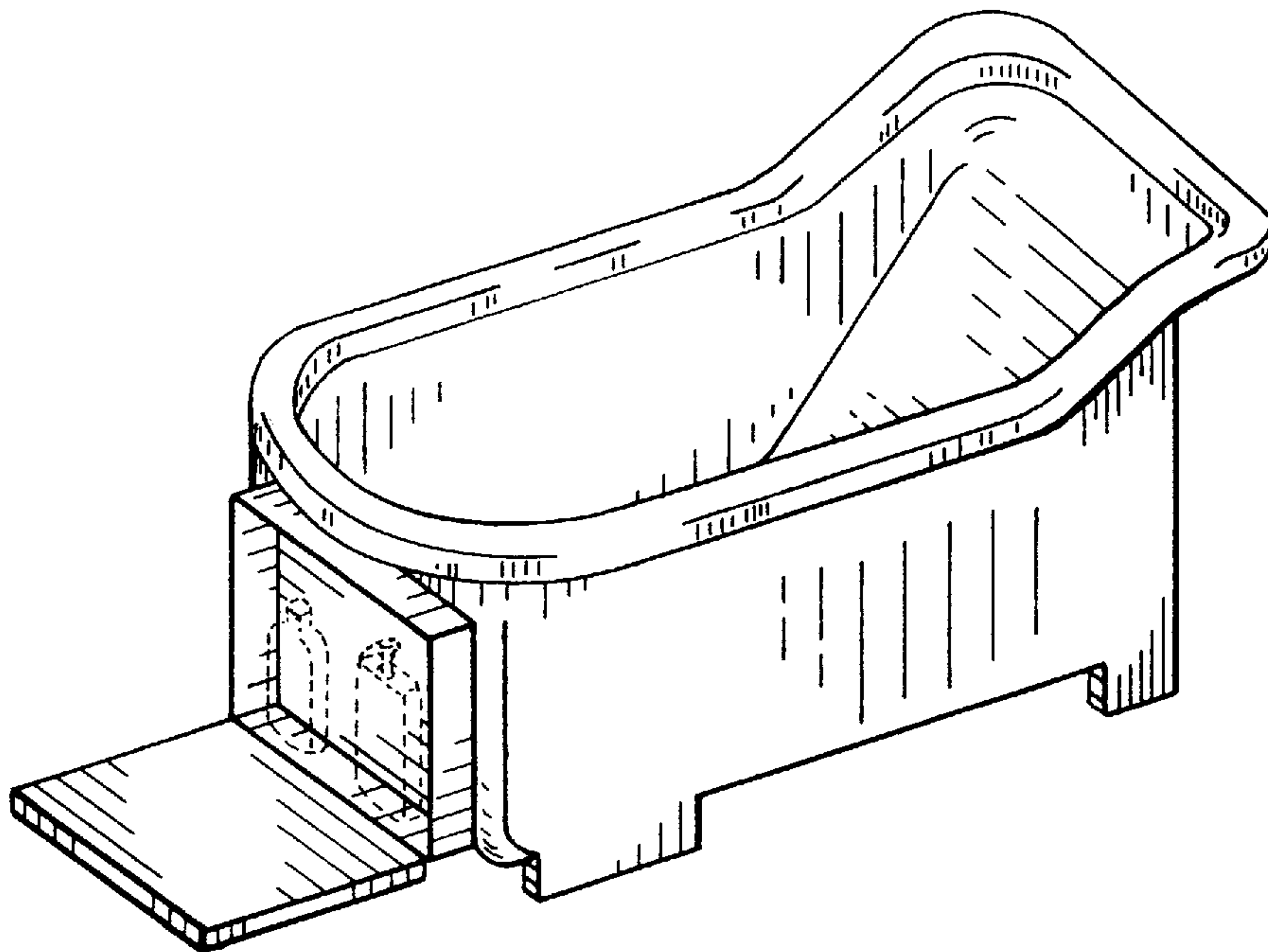


FIG. 1

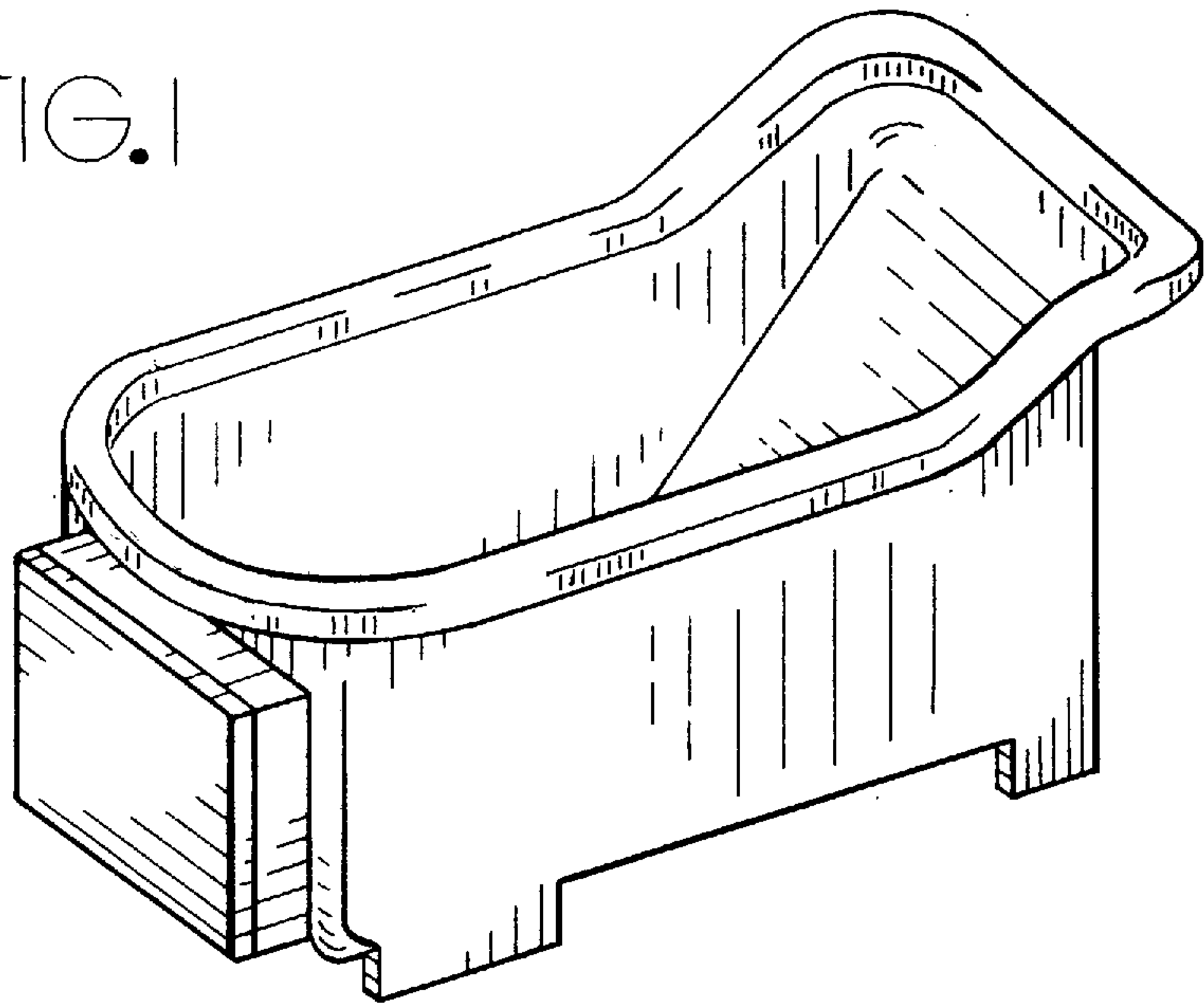


FIG. 2

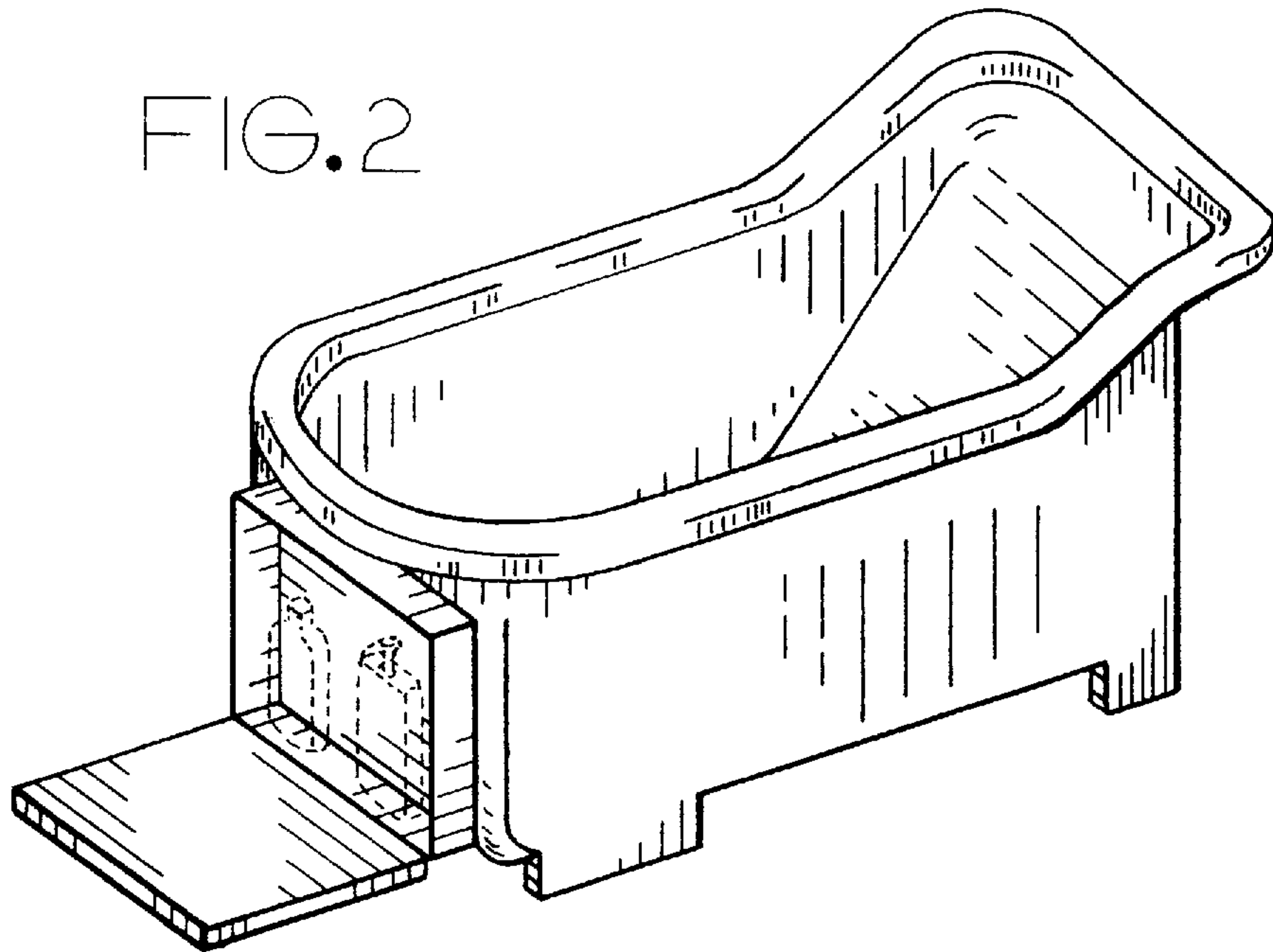


FIG.3

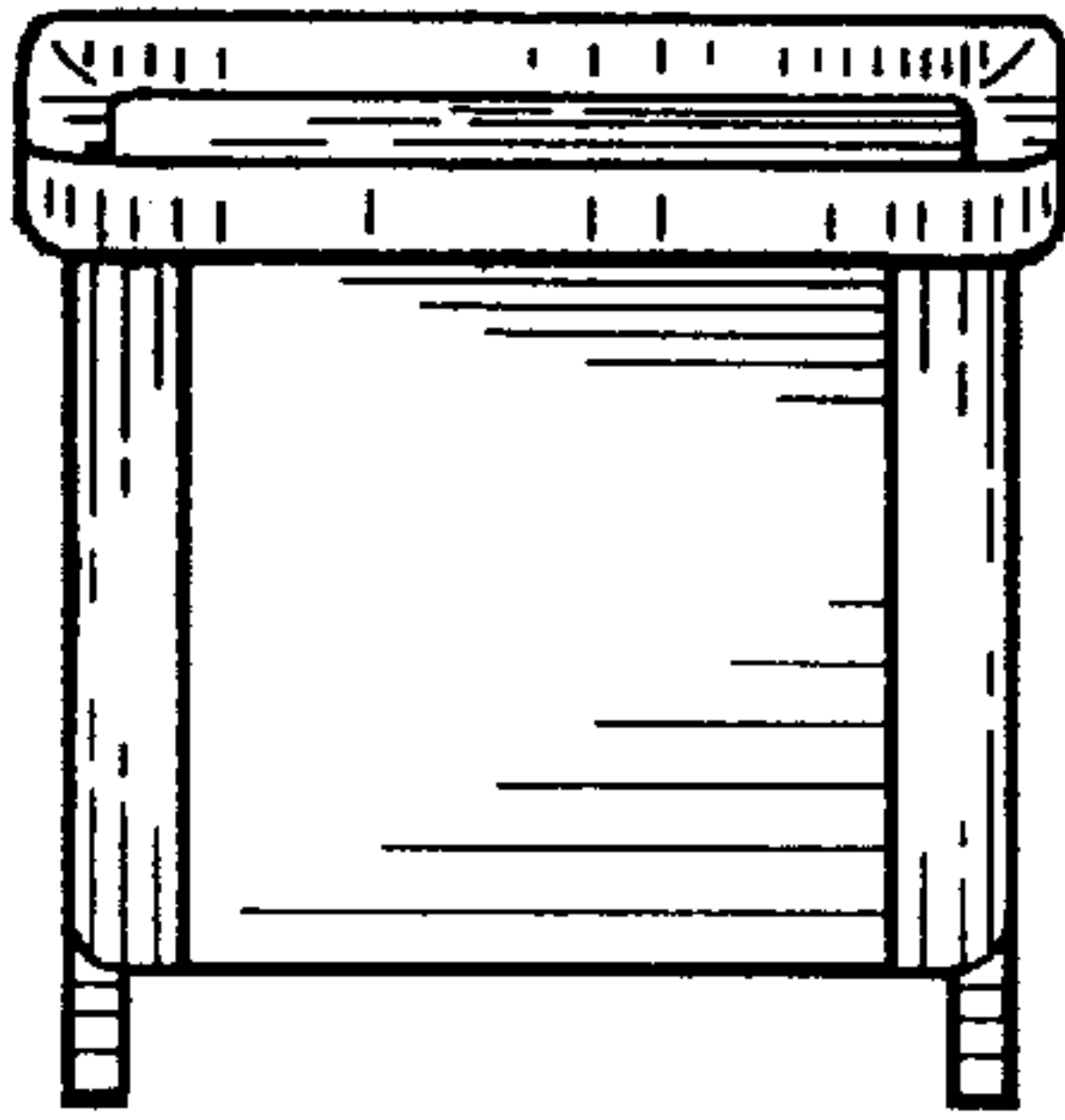


FIG.4

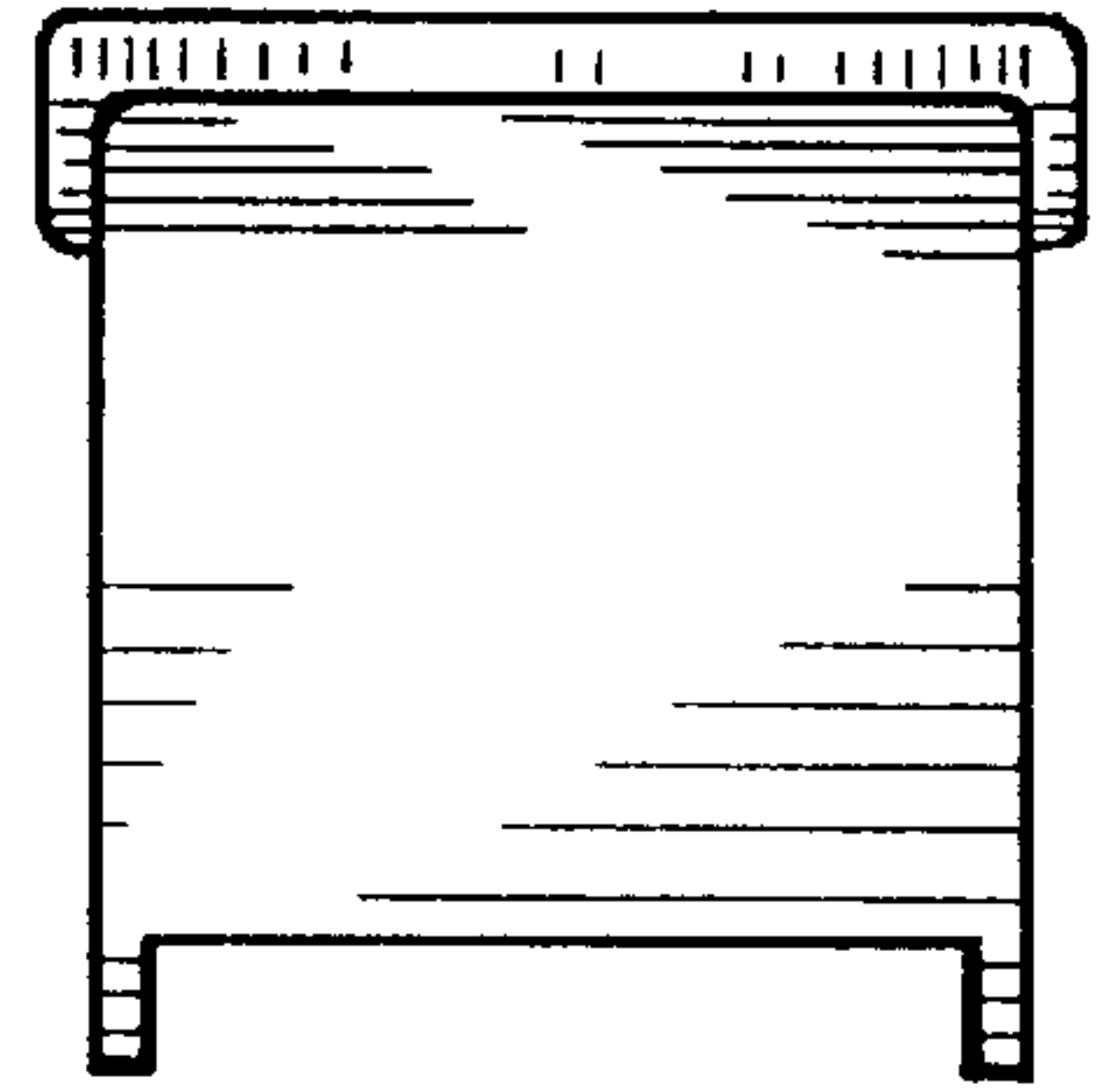


FIG.5

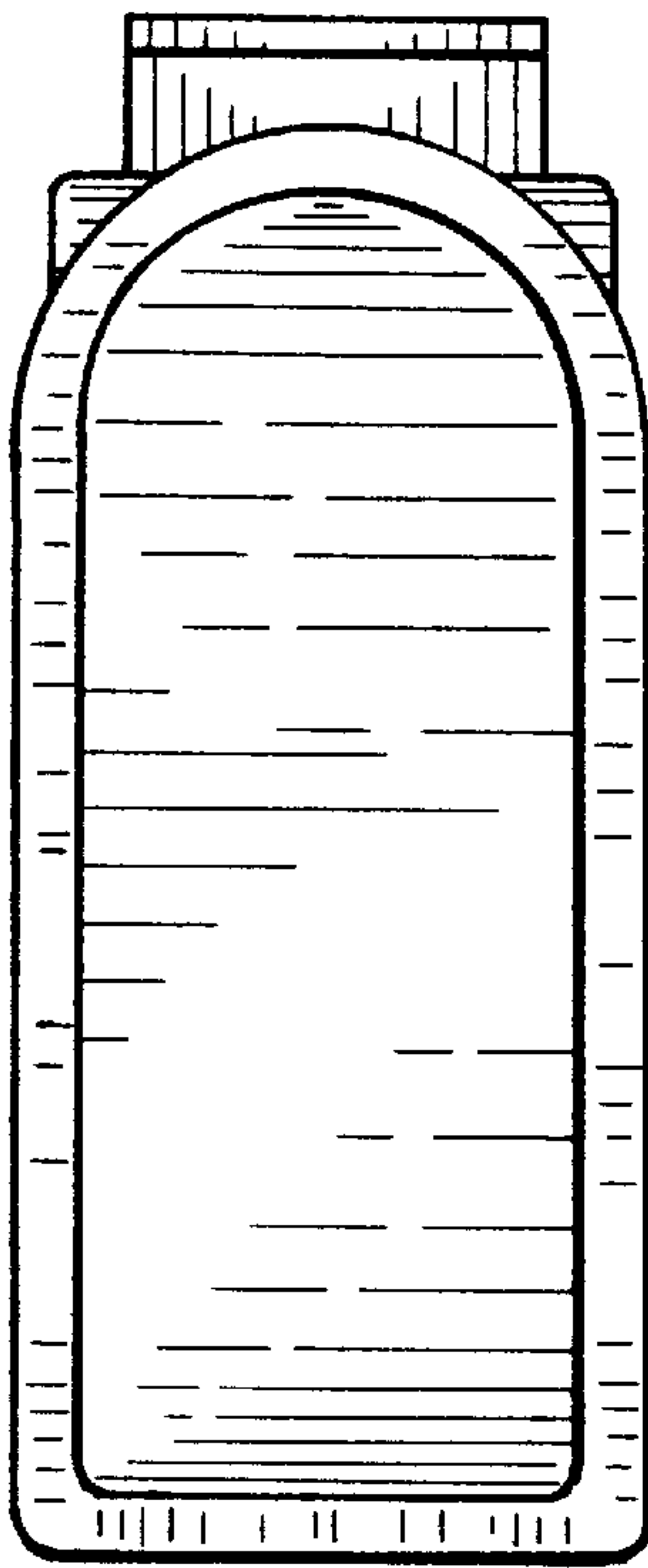
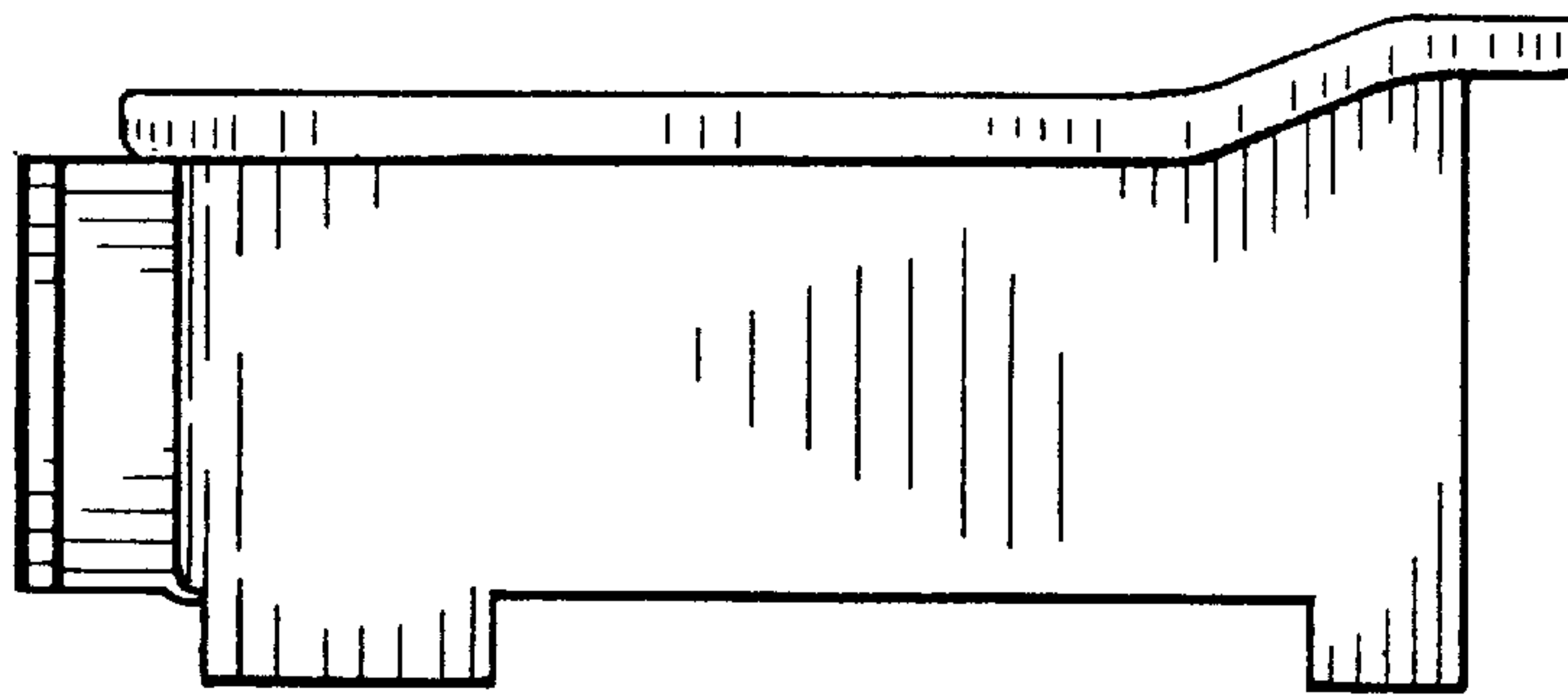


FIG.6

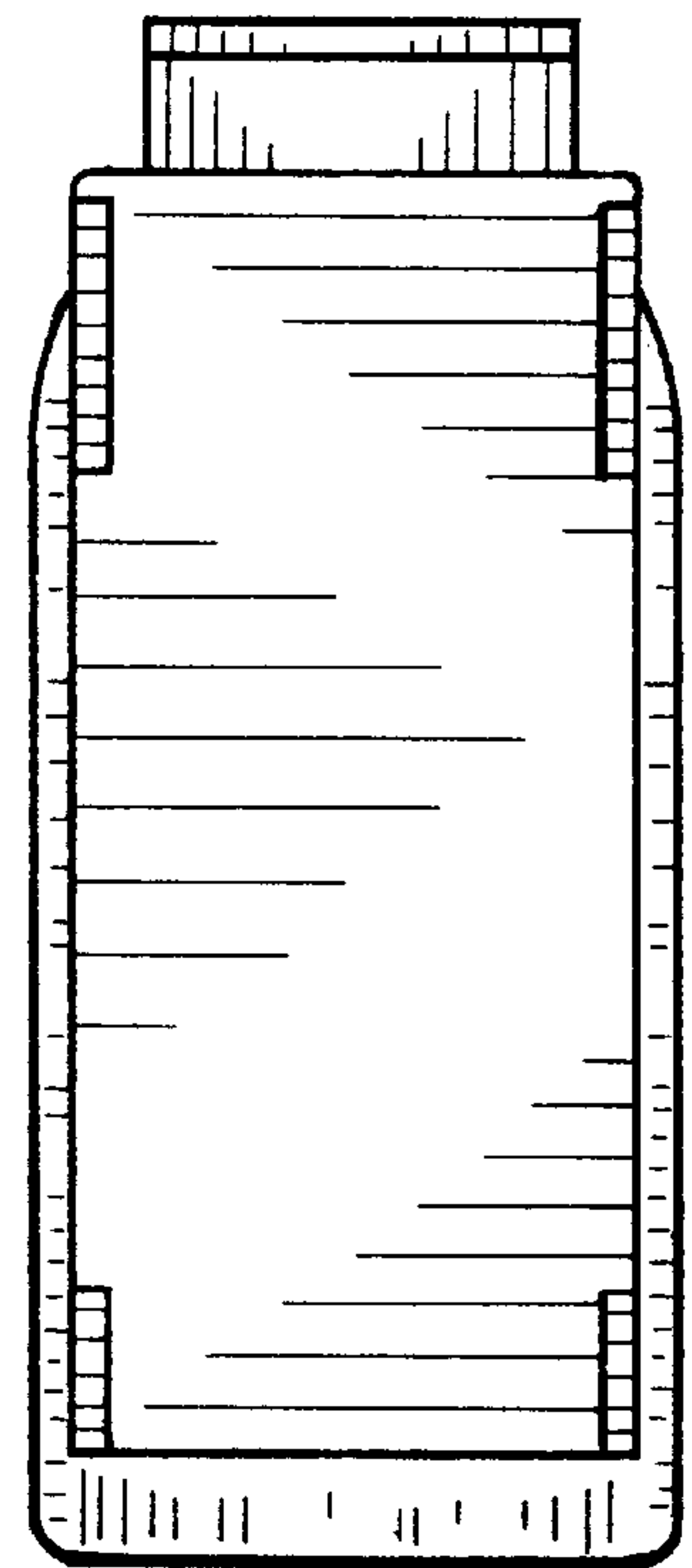


FIG.7