



US00D400652S

# United States Patent [19]

Hart et al.

[11] **Patent Number:** **Des. 400,652**

[45] **Date of Patent:** **\*\*Nov. 3, 1998**

[54] **ESCUTCHEON PLATE FOR A SHOWER CONTROL**

[75] Inventors: **Thomas Hart**, North Brunswick; **David Lipkin**, Peapack, both of N.J.

[73] Assignee: **American Standard Inc.**, Piscataway, N.J.

[\*\*] Term: **14 Years**

[21] Appl. No.: **60,365**

[22] Filed: **Sep. 27, 1996**

[51] **LOC (6) Cl.** ..... **23-01**

[52] **U.S. Cl.** ..... **D23/254**

[58] **Field of Search** ..... D23/213, 223, D23/228, 250-254; D8/352, 308, 310; 4/675-678; 251/291, 292

[56] **References Cited**

**U.S. PATENT DOCUMENTS**

D. 68,807 11/1925 Hill ..... D8/352

D. 164,606 9/1951 Schlope ..... D8/352  
D. 191,594 10/1961 Cloghen ..... D8/352  
D. 212,079 8/1968 Algoren ..... D8/352  
D. 310,324 9/1990 Berhacchi et al. .... D8/352 X  
D. 321,468 11/1991 Reid ..... D8/352  
D. 355,021 1/1995 Schott et al. .... D23/254

*Primary Examiner*—Louis S. Zarfaz  
*Assistant Examiner*—Eric Watterson

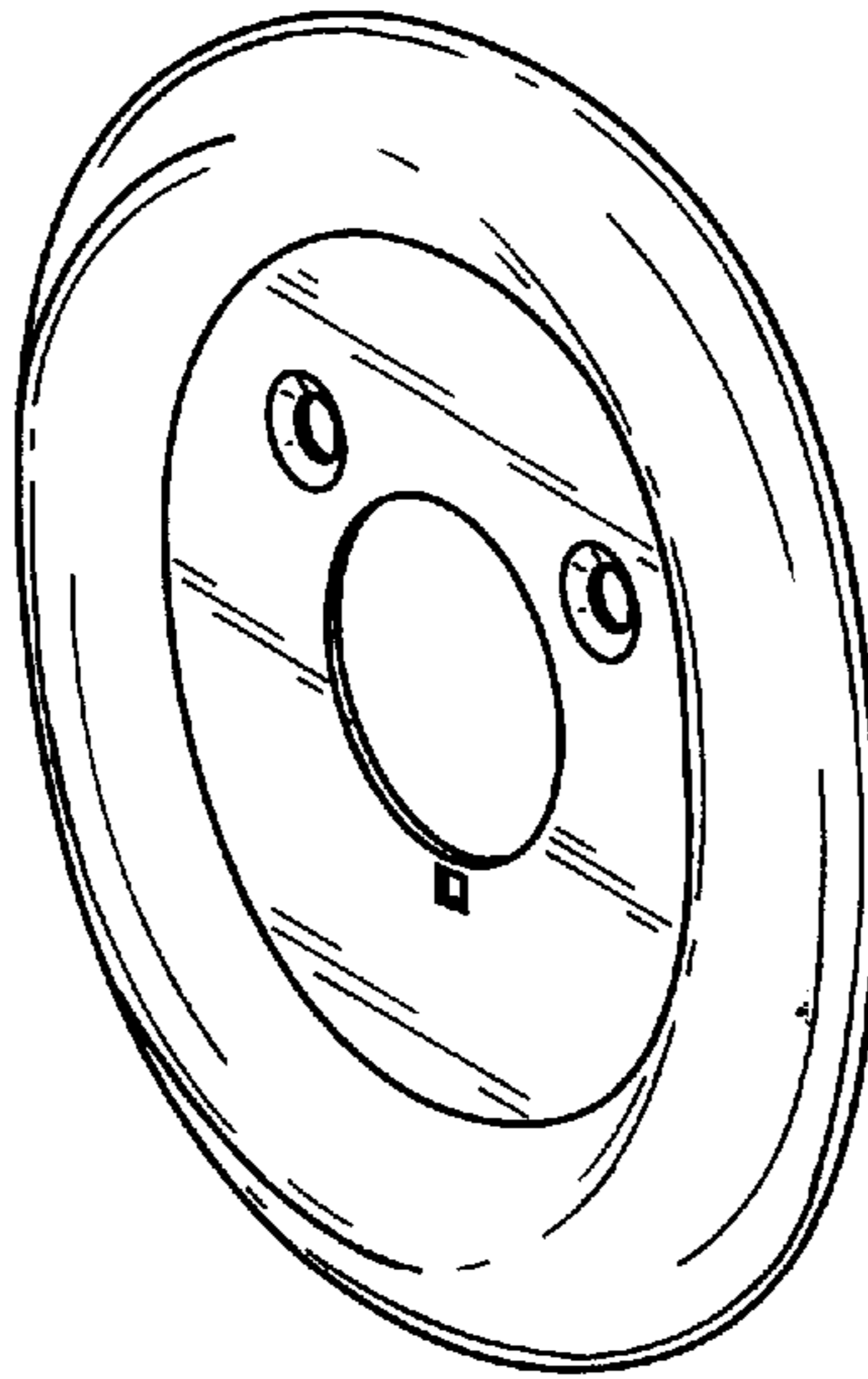
[57] **CLAIM**

The ornamental design for an escutcheon plate for a shower control, as shown and described.

**DESCRIPTION**

FIG. 1 is a perspective view of an escutcheon plate for a shower control showing my new design; FIG. 2 is a right side elevational view thereof, the left side view being a mirror image of the right side; FIG. 3 is a front elevational view thereof; FIG. 4 is a rear elevational view thereof; FIG. 5 is a top plan view thereof; and, FIG. 6 is a bottom plan view thereof.

**1 Claim, 1 Drawing Sheet**



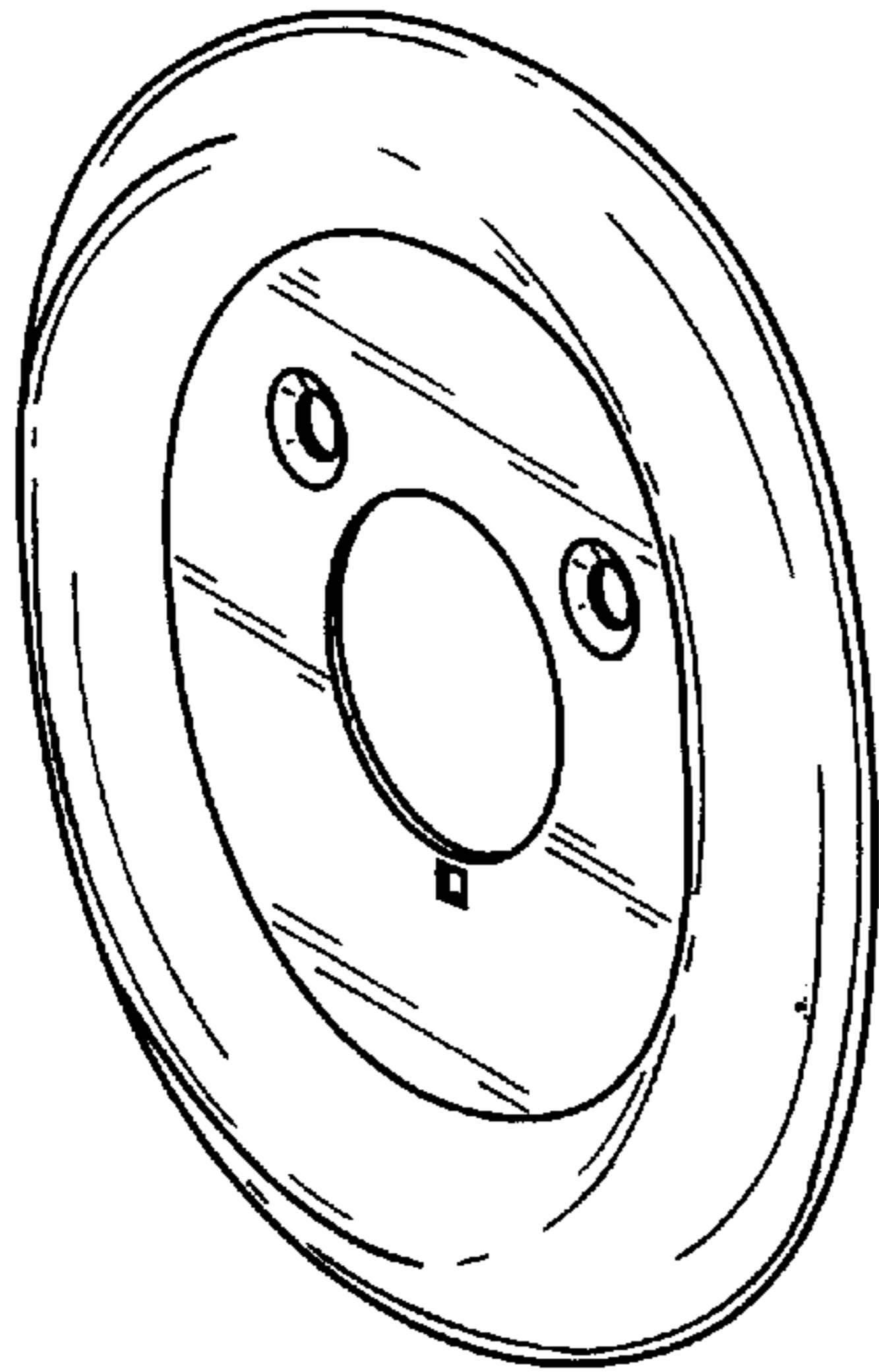


FIG. 1



FIG. 2

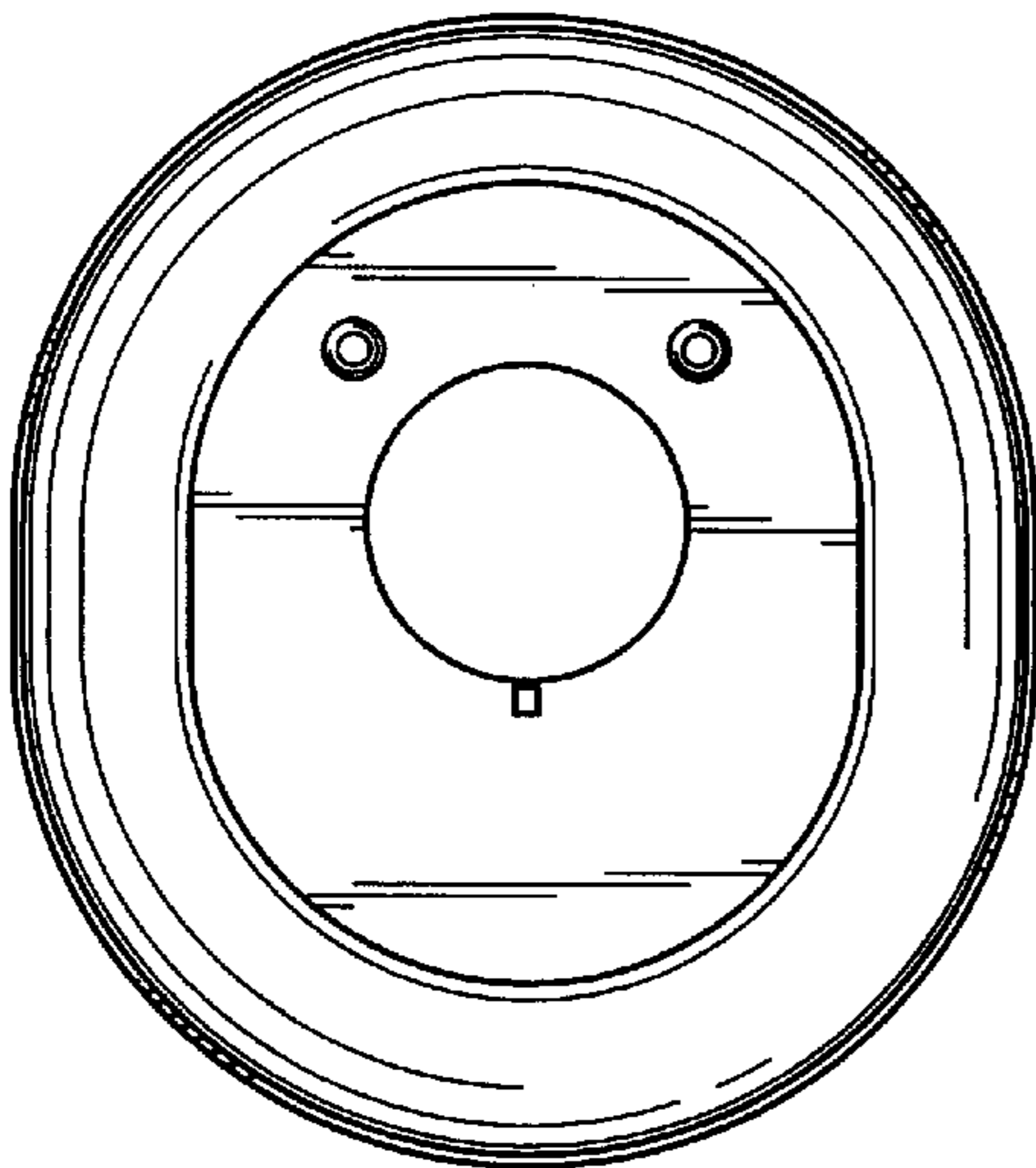


FIG. 3

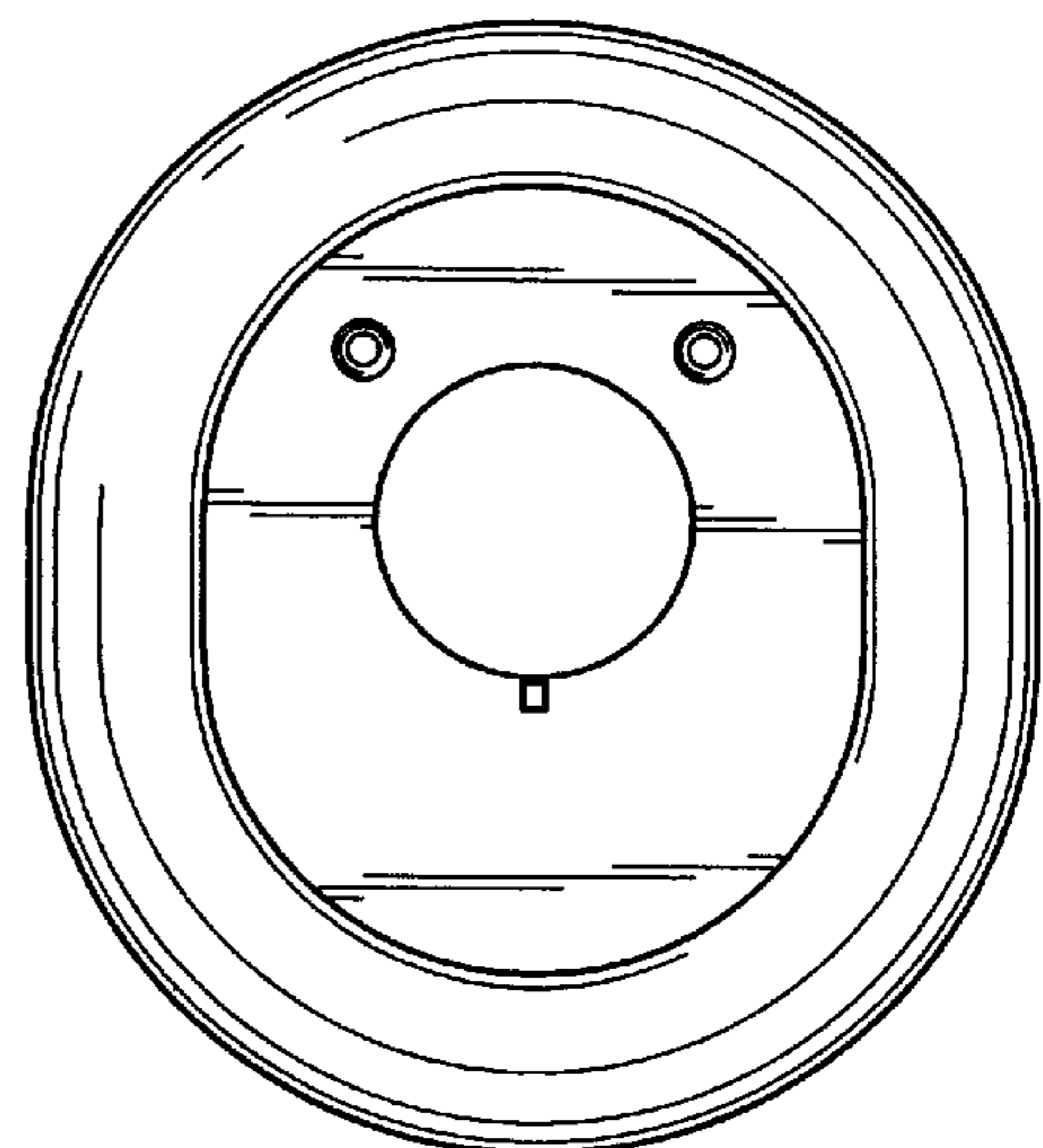


FIG. 4

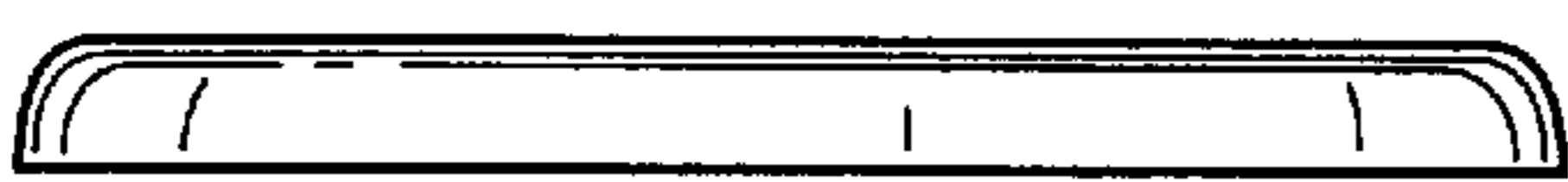


FIG. 5

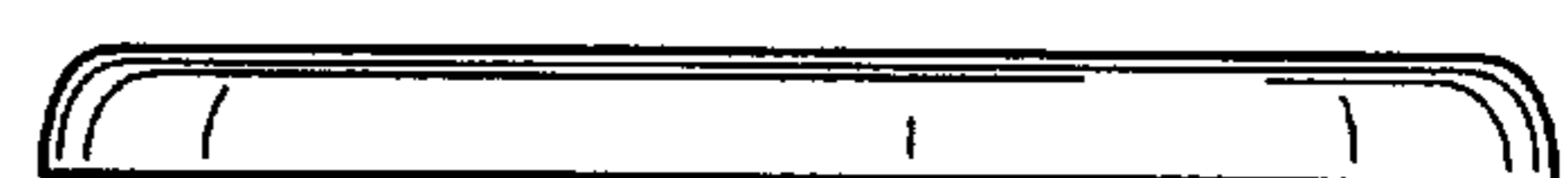


FIG. 6