



US00D400651S

United States Patent [19]

Hundley et al.

[11] Patent Number: Des. 400,651

[45] Date of Patent: **Nov. 3, 1998

[54] HANDLE

[75] Inventors: **Jill E. Hundley; Mary J. Reid**, both of Sheboygan, Wis.

[73] Assignee: **Kohler Co.**, Kohler, Wis.

[**] Term: **14 Years**

[21] Appl. No.: **55,810**

[22] Filed: **May 2, 1996**

[51] LOC (6) Cl. **23-01**

[52] U.S. Cl. **D23/254**

[58] Field of Search D23/238-243,
D23/250-257; D8/352, 675-678

[56] References Cited

U.S. PATENT DOCUMENTS

D. 194,223	12/1962	Landell	D23/254
D. 301,226	5/1989	Bengtsson	D23/254
D. 318,901	8/1991	Rodstein	D23/238
D. 363,765	10/1995	Starck	D23/254

OTHER PUBLICATIONS

Undated Altmans catalog ad showing a "Lavset" with porcelain plumbing lever handles, admitted prior art.
1990 Kohler catalog ad, p. 39, showing a "Revival" traditional plumbing lever handle.

1989 Kohler catalog ad, p. 3-23b, showing "Flair" plumbing lever handle.

Undated catalog ad, supplier unknown, showing a No. 358 plumbing lever handle, admitted prior art.

Jan. 1996 Kohler catalog ad, p. 43, showing a "Finial" plumbing lever handle.

Primary Examiner—Louis S. Zarfes

Assistant Examiner—Eric Watterson

Attorney, Agent, or Firm—Quarles & Brady

[57] CLAIM

The ornamental design for a handle, as shown and described.

DESCRIPTION

FIG. 1 is a left, top, front perspective view of a handle for a plumbing fitting embodying our new design;

FIG. 2 is a front elevational view thereof;

FIG. 3 is a left side elevational view thereof, the right side elevational view being a mirror image of the left side shown;

FIG. 4 is a top plan view thereof;

FIG. 5 is a bottom plan view thereof; and,

FIG. 6 is a rear elevational view thereof.

The broken line representation of a hole in FIG. 6 is for purpose of illustration only, and forms no part of the claimed design.

1 Claim, 3 Drawing Sheets

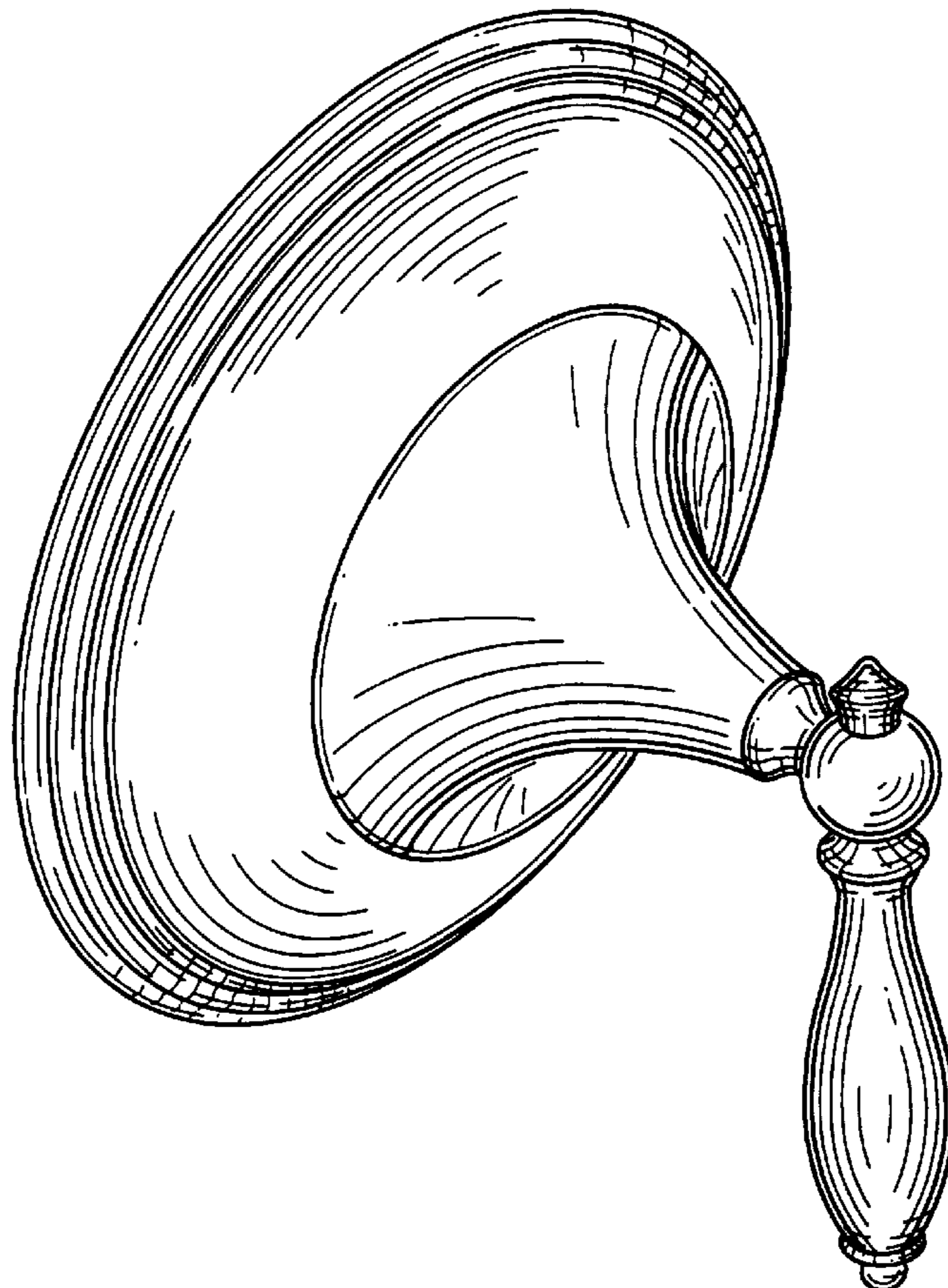


FIG. 1

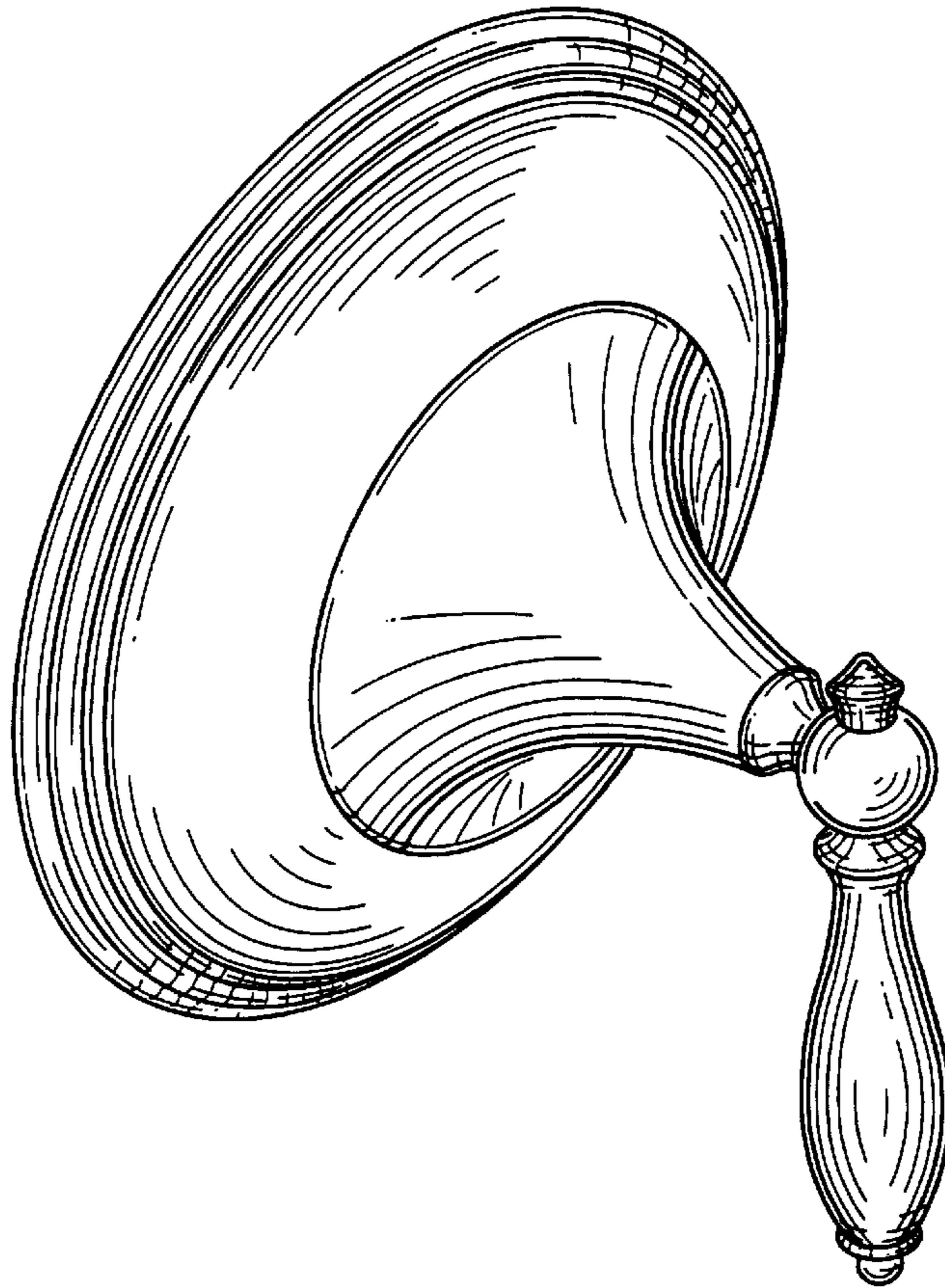


FIG. 2

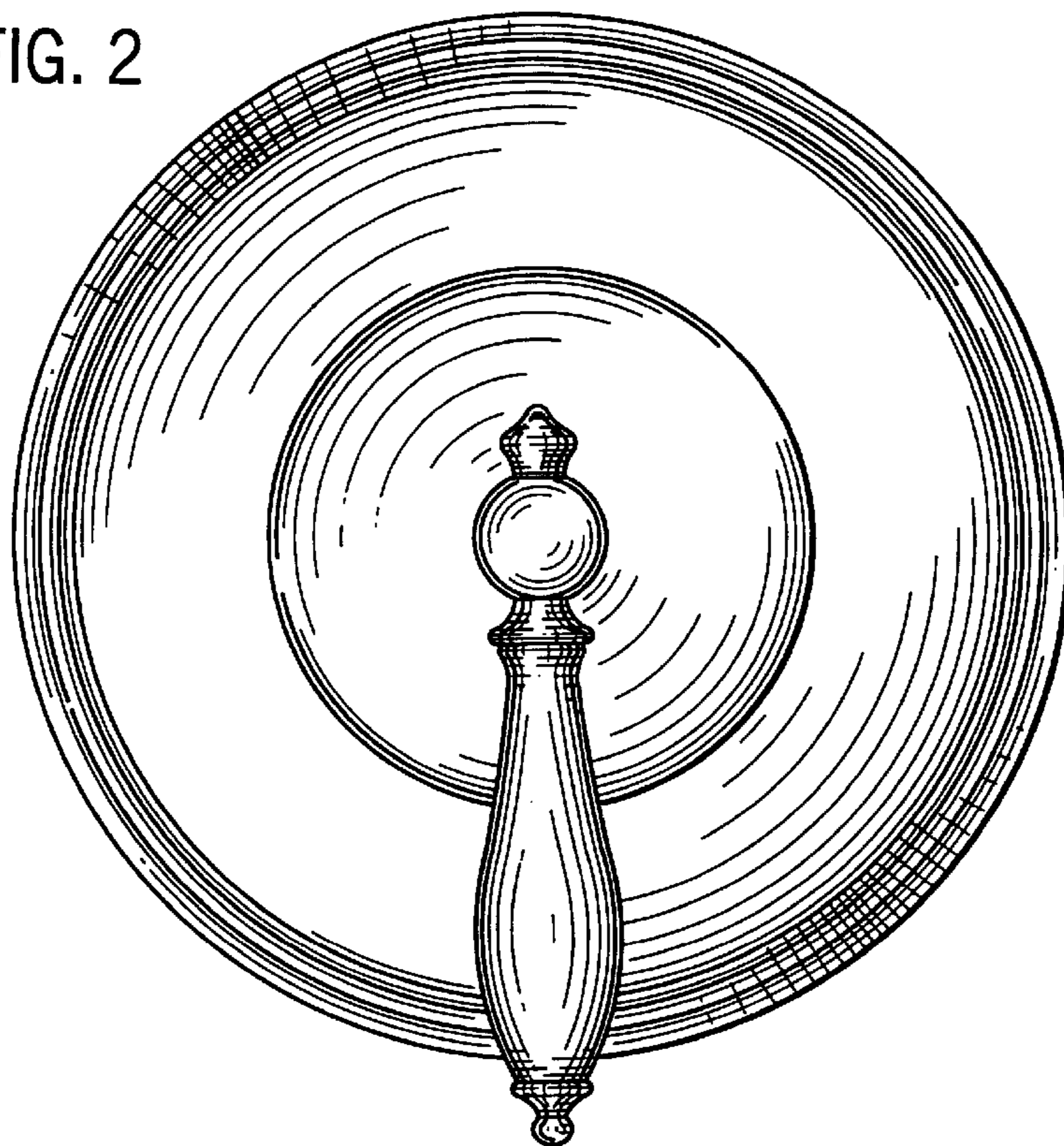


FIG. 3

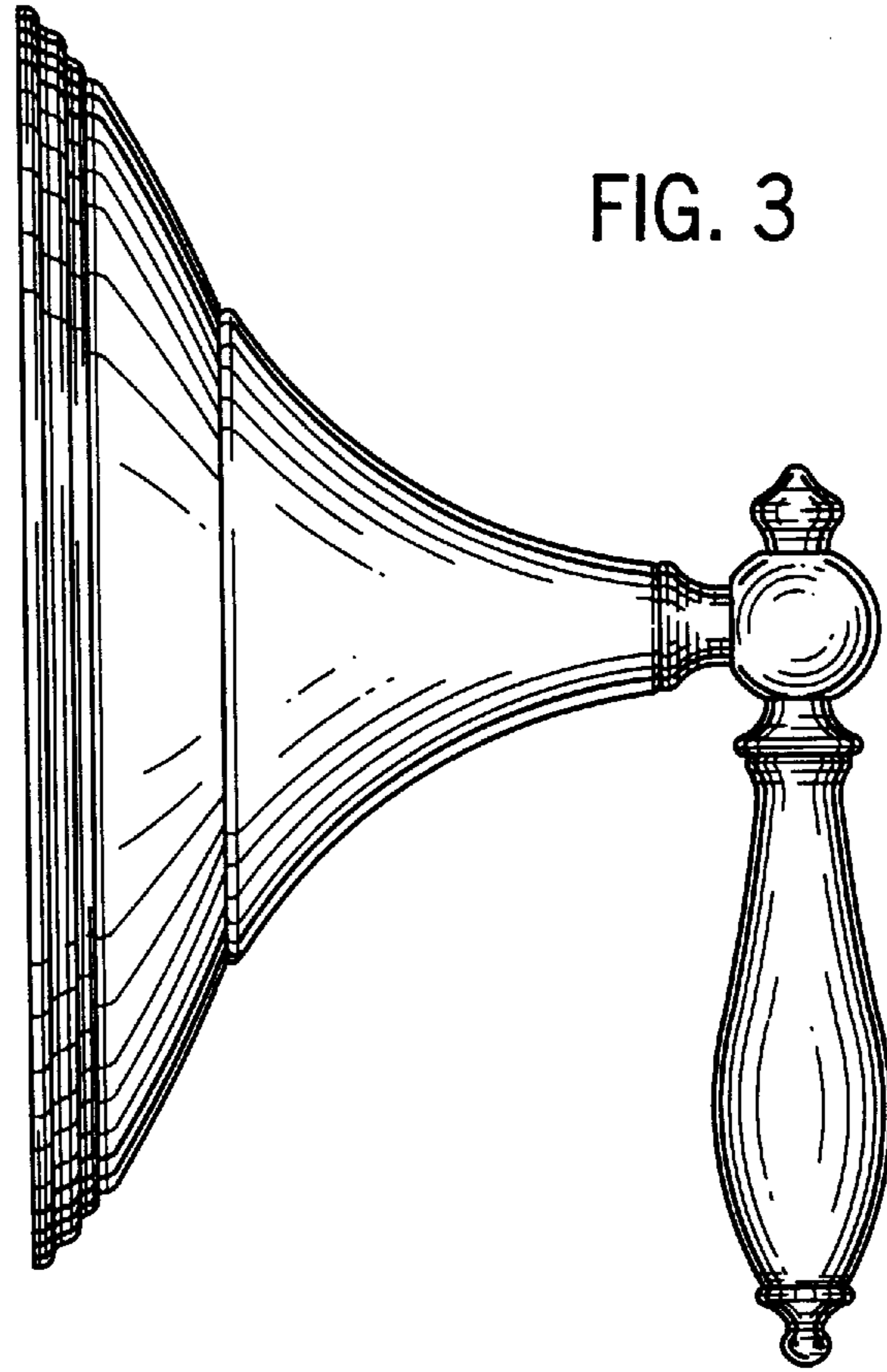


FIG. 4

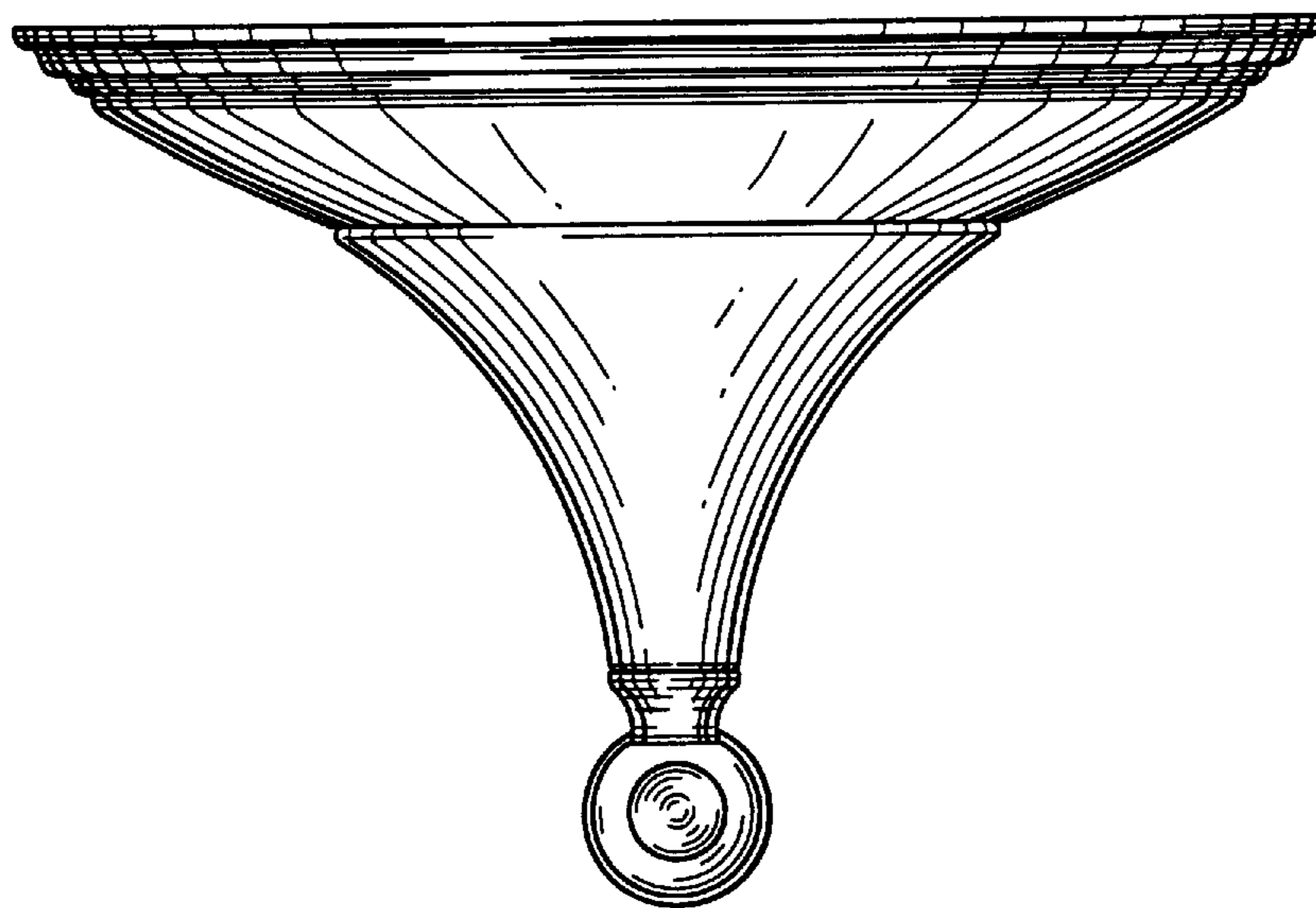


FIG. 5

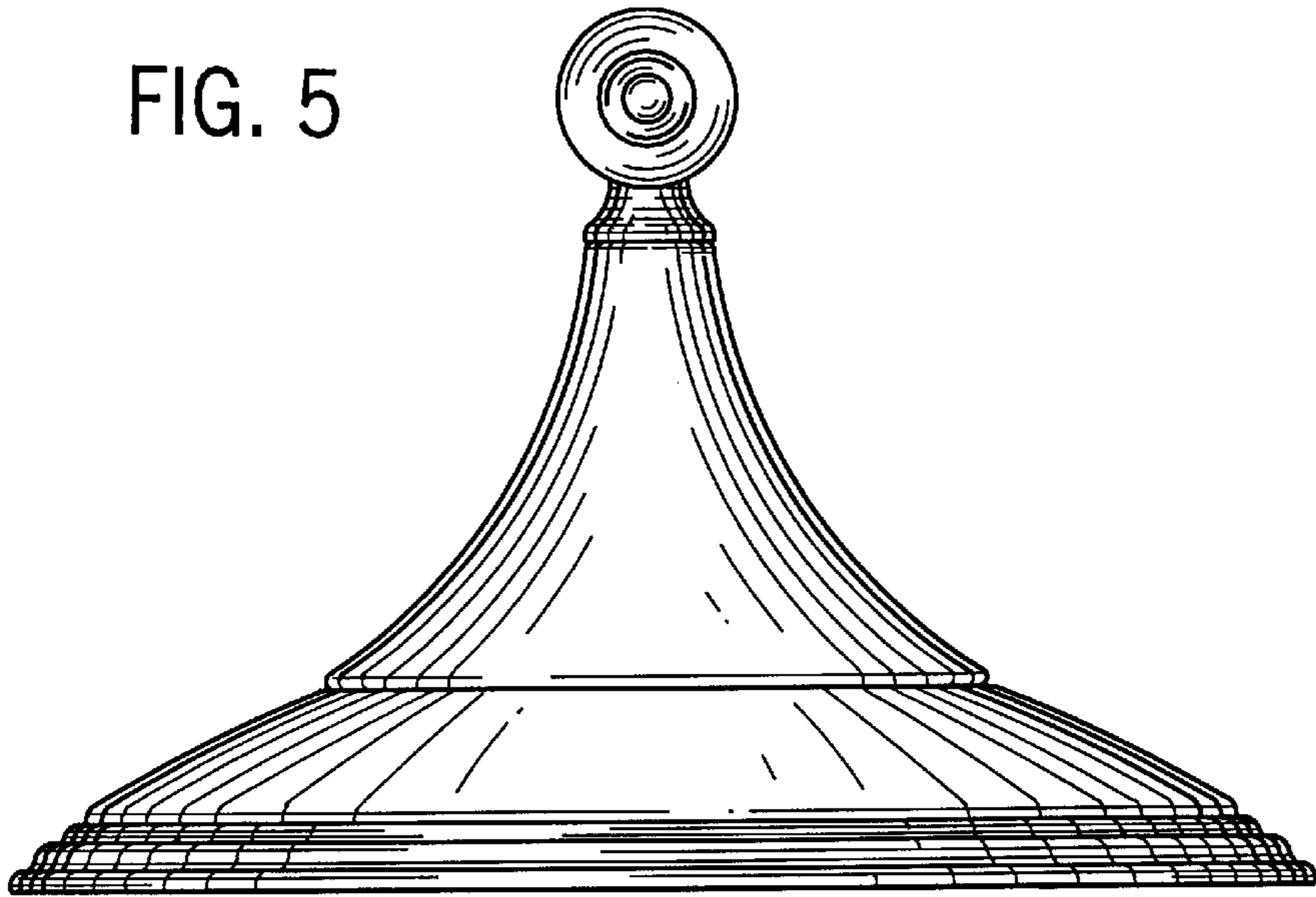
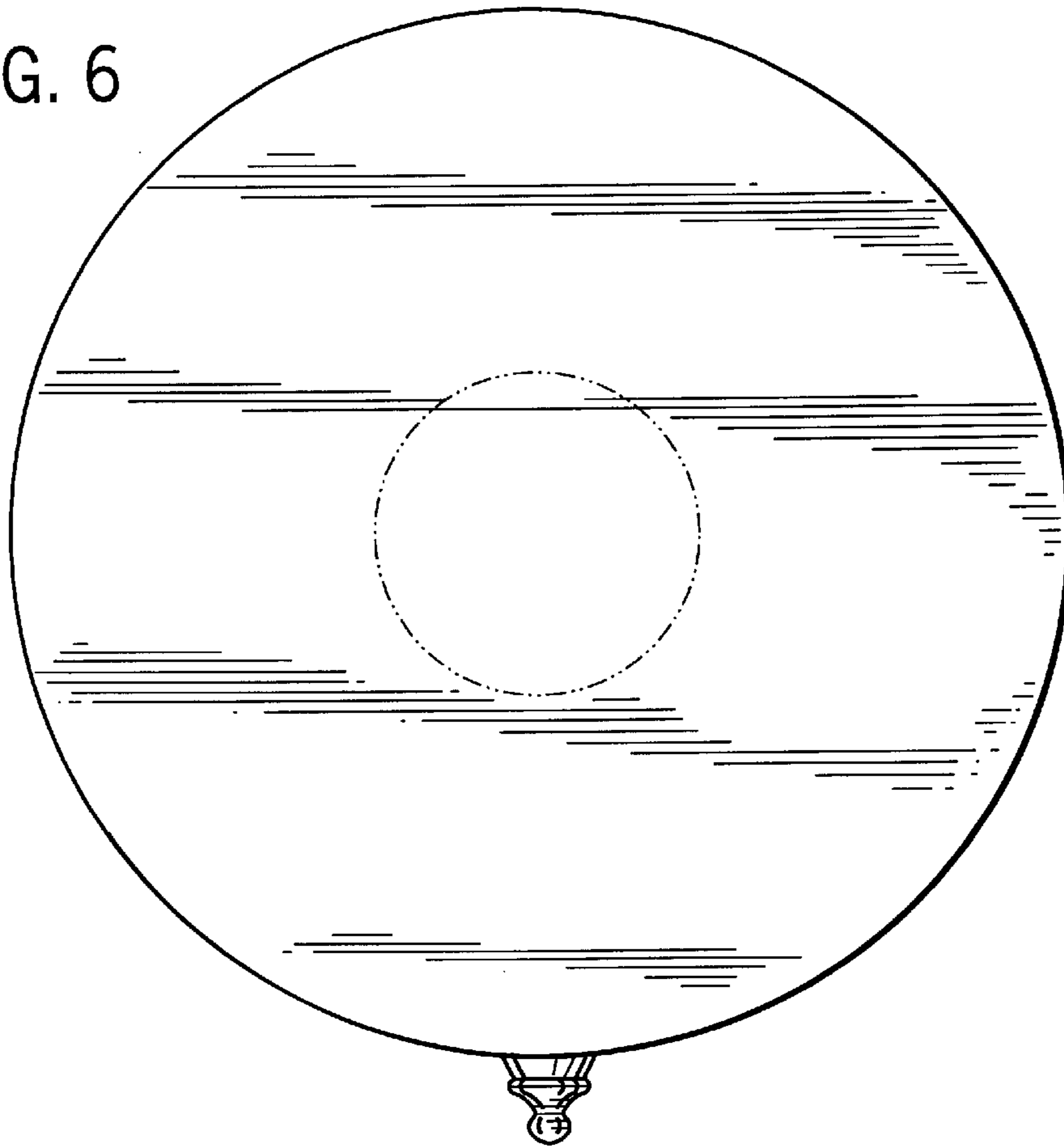


FIG. 6



UNITED STATES PATENT AND TRADEMARK OFFICE
CERTIFICATE OF CORRECTION

PATENT NO. : Des. 400,651
DATED : November 3, 1998
INVENTOR(S) : Jill E. Hundley, et al.


It is certified that error appears in the above-identified patent and that said Letters Patent is hereby corrected as shown below:

ON THE TITLE PAGE:

Item [56]; References Cited; U.S. PATENT DOCUMENTS:

"D.194,223" should read --D.194,229--
"D.301,226" should read --D.301,276--

Signed and Sealed this
Sixth Day of April, 1999



Q. TODD DICKINSON

Acting Commissioner of Patents and Trademarks

Attest:

Attesting Officer