



US00D400649S

United States Patent [19]
Palestrant

[11] **Patent Number: Des. 400,649**

[45] **Date of Patent: **Nov. 3, 1998**

[54] **MISTING HEAD POPPET**

[76] Inventor: **Nathan Palestrant**, 5120 N. 79th Pl.,
Scottsdale, Ariz. 85250

[**] Term: **14 Years**

[21] Appl. No.: **85,472**

[22] Filed: **Mar. 24, 1998**

[51] **LOC (6) Cl.** **23-01**

[52] **U.S. Cl.** **D23/248**

[58] **Field of Search** D23/233-237,
D23/247, 249; 141/293, 302, 308, 353,
375; 222/484, 501, 525; 251/149.1, 149.8,
339

[56] **References Cited**

U.S. PATENT DOCUMENTS

D. 190,895 7/1961 Dillon D23/248

D. 210,525 3/1968 Keane D23/248
D. 341,188 11/1993 Burgy et al. D23/248

Primary Examiner—Marcus A. Jackson
Attorney, Agent, or Firm—Meschkow & Gresham, P.L.C.;
Jordan M. Meschkow; Lowell W. Gresham

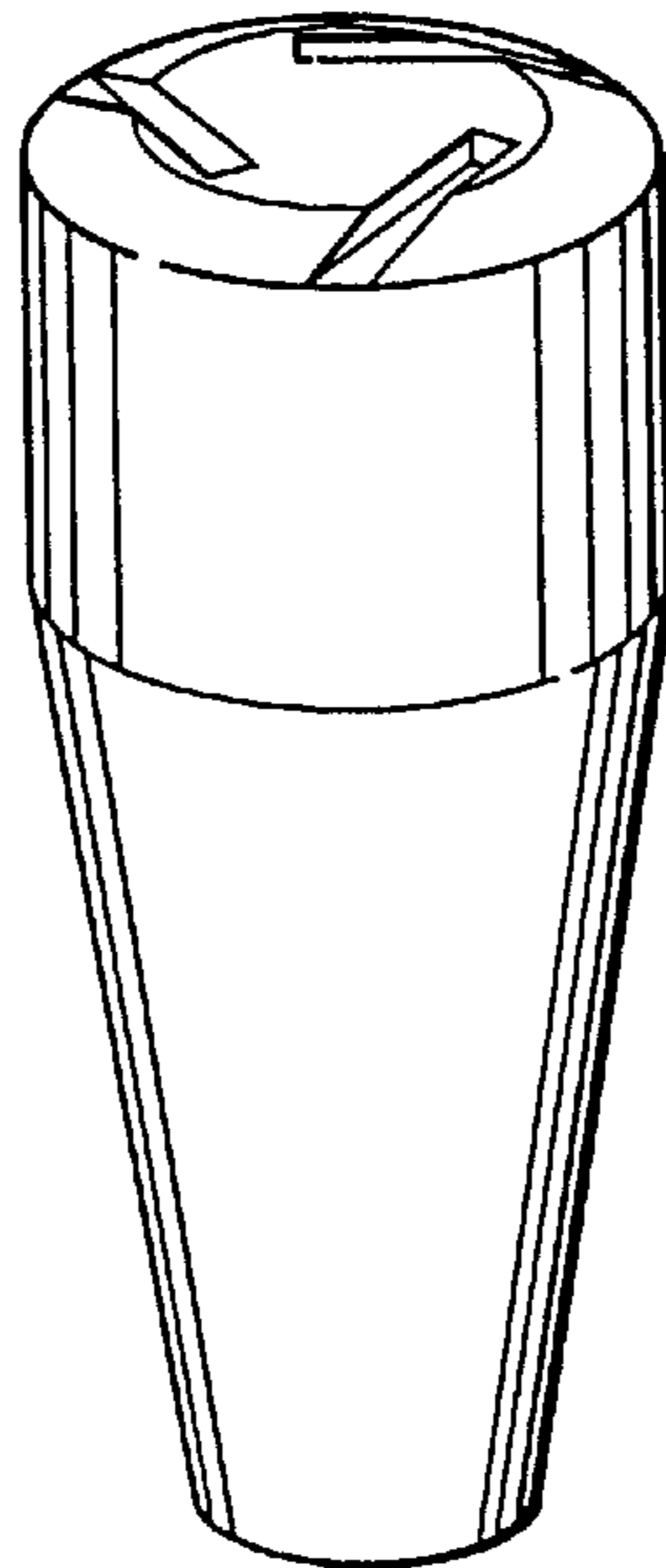
[57] **CLAIM**

The ornamental design for a misting head poppet, as shown and described.

DESCRIPTION

FIG. 1 is a front perspective view of a misting head poppet, showing my new design therefor;
FIG. 2 is a frontal view therefor;
FIG. 3 is a rear view therefor;
FIG. 4 is a side view therefor, showing the left side;
FIG. 5 is a side view therefor, showing the right side;
FIG. 6 is a top plan view therefor; and,
FIG. 7 is a bottom plan view therefor.

1 Claim, 2 Drawing Sheets



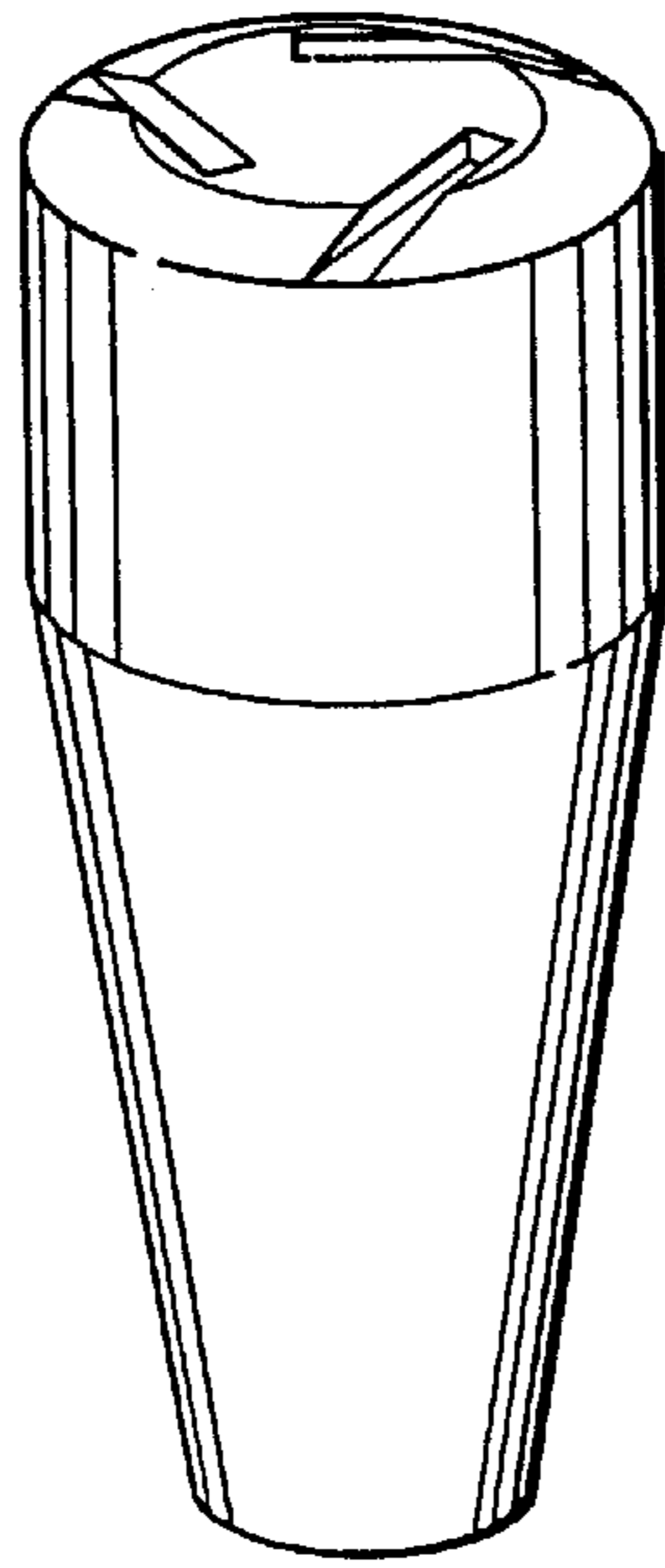


FIG. 1

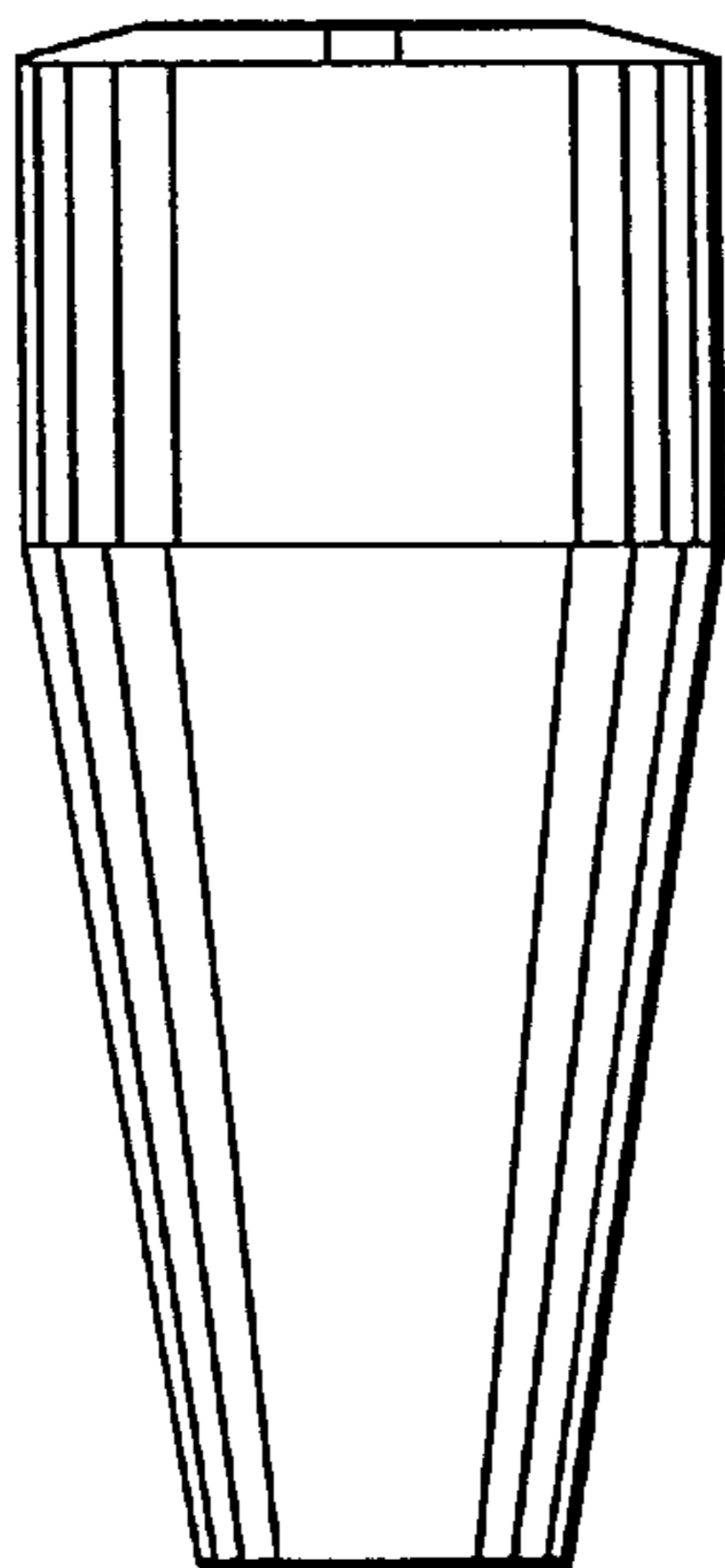


FIG. 2

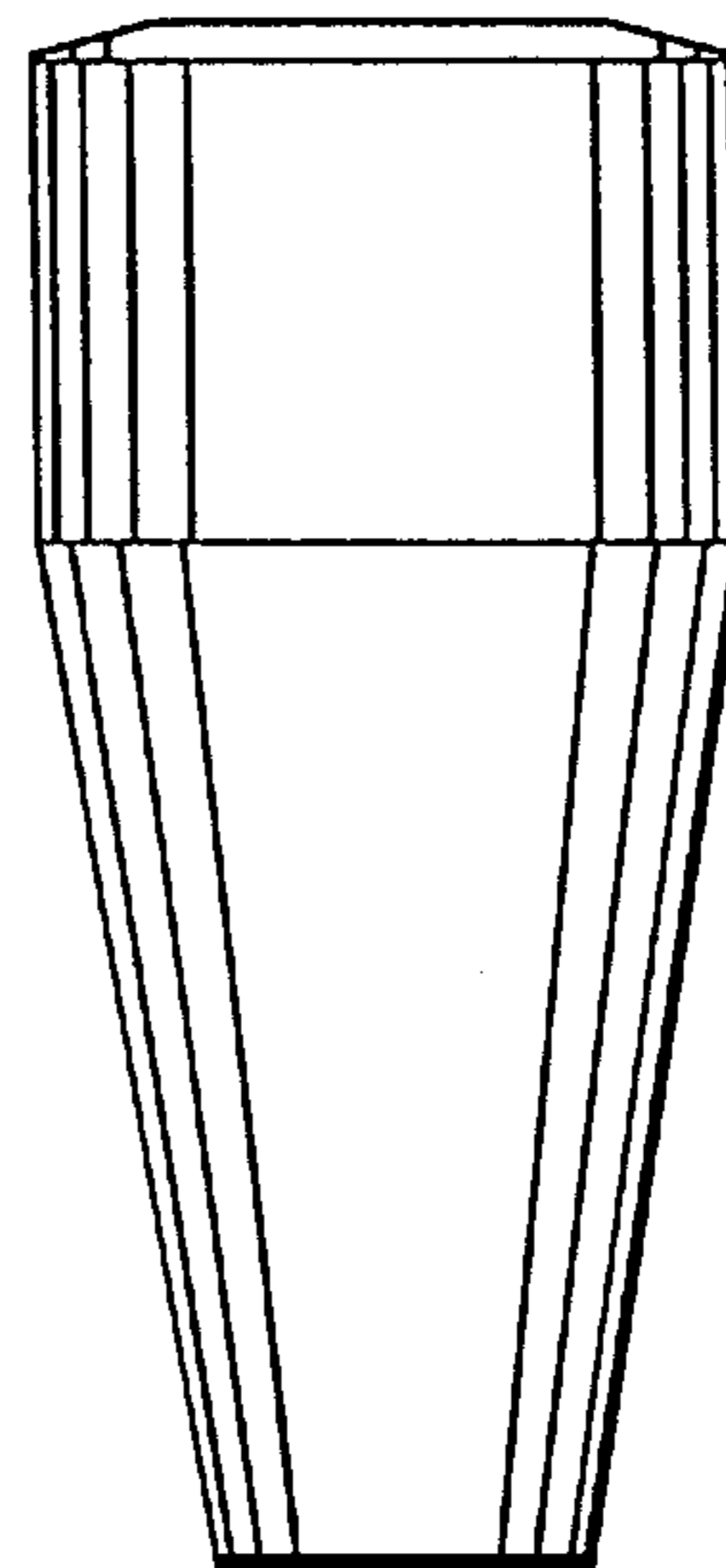


FIG. 3

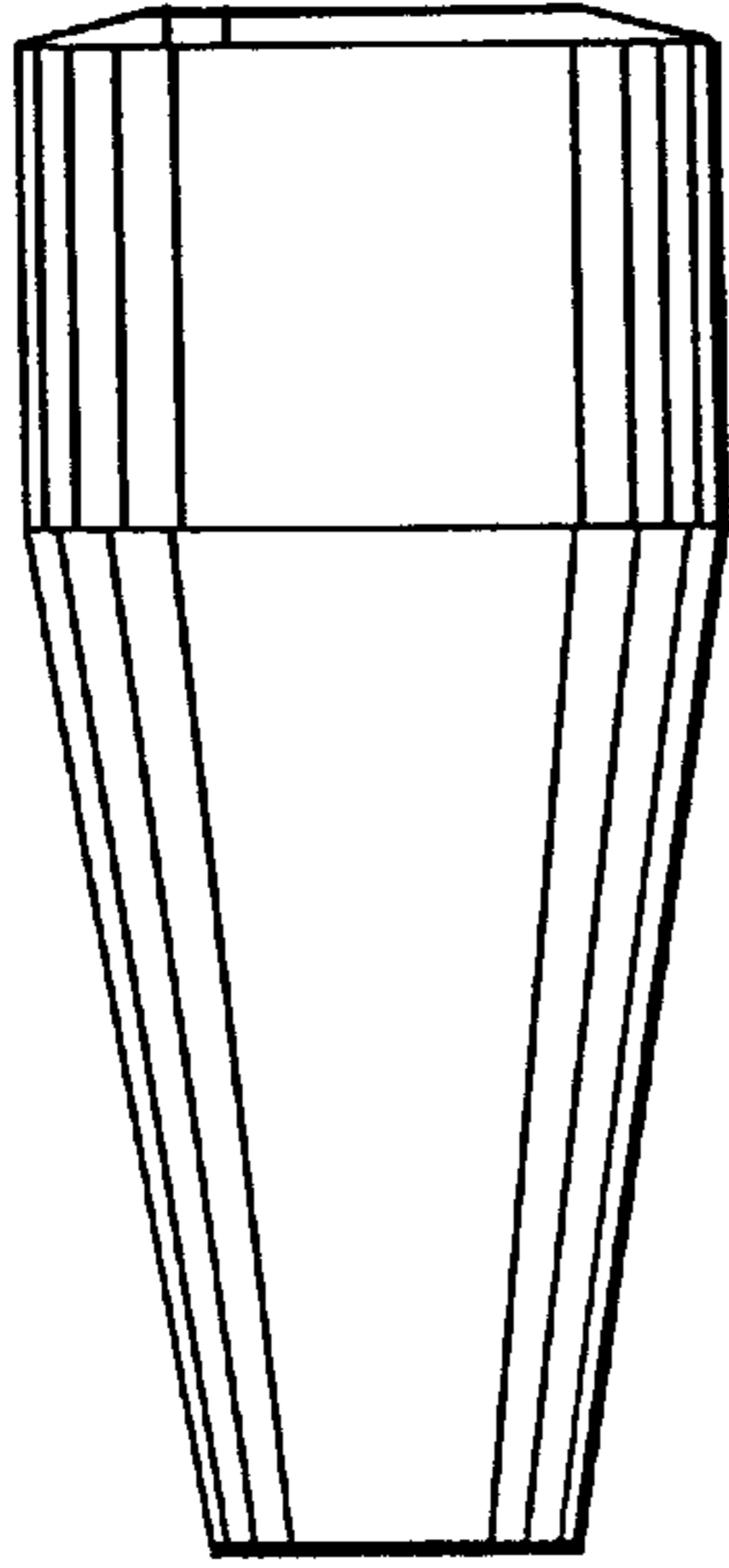


FIG. 4

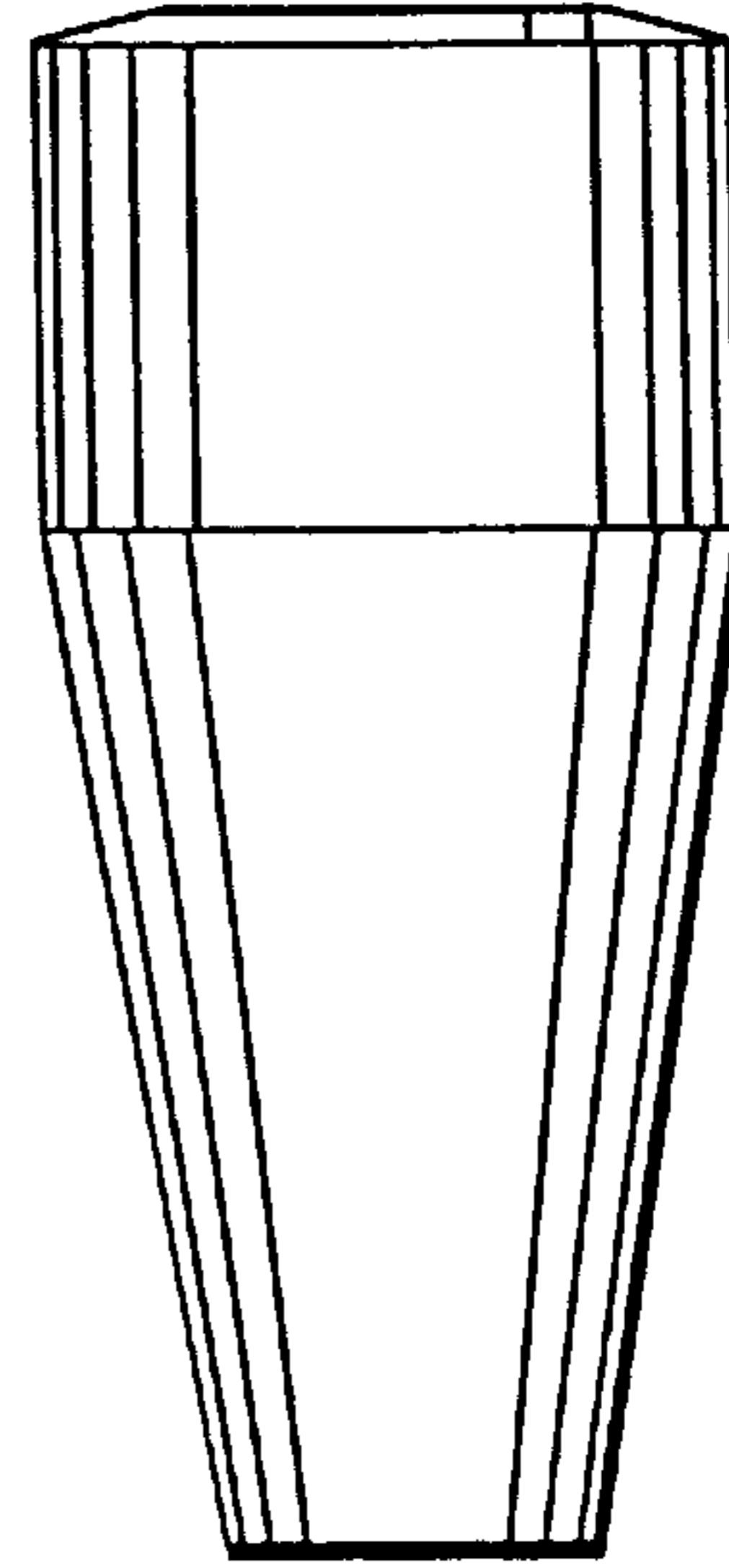


FIG. 5

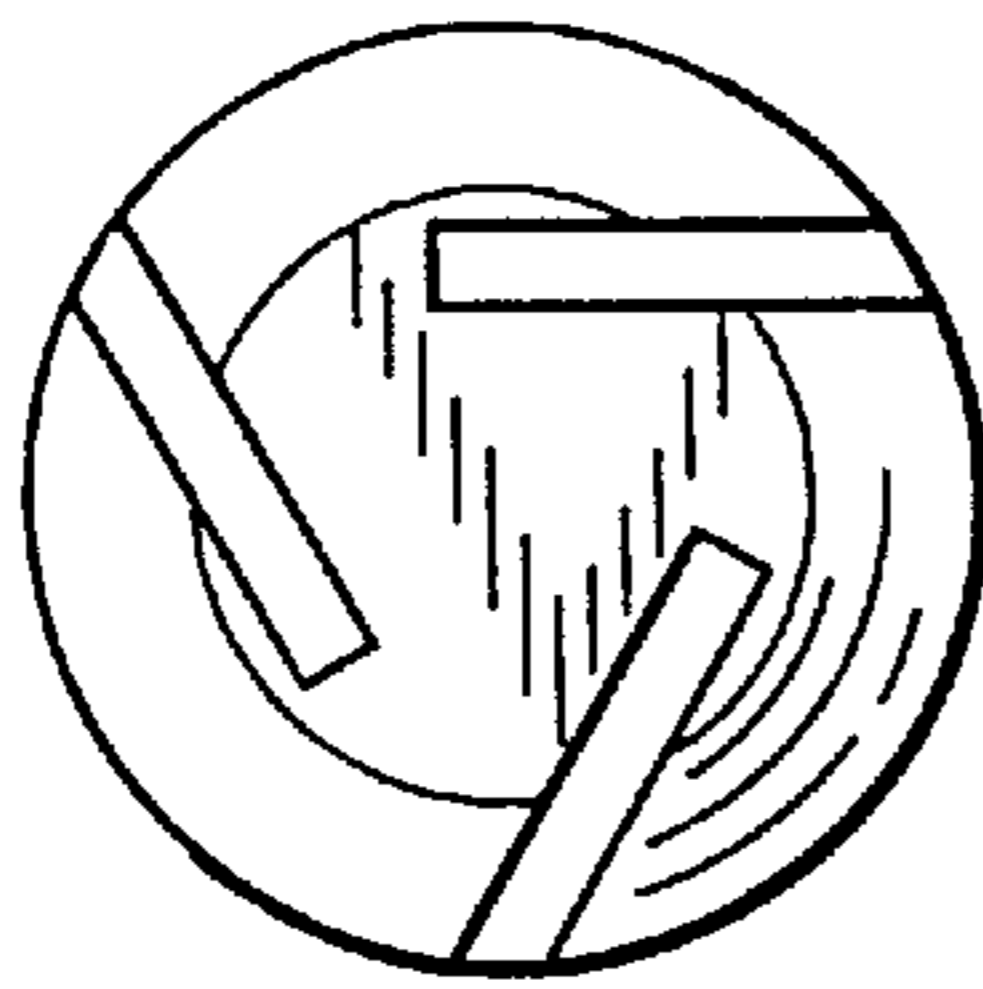


FIG. 6

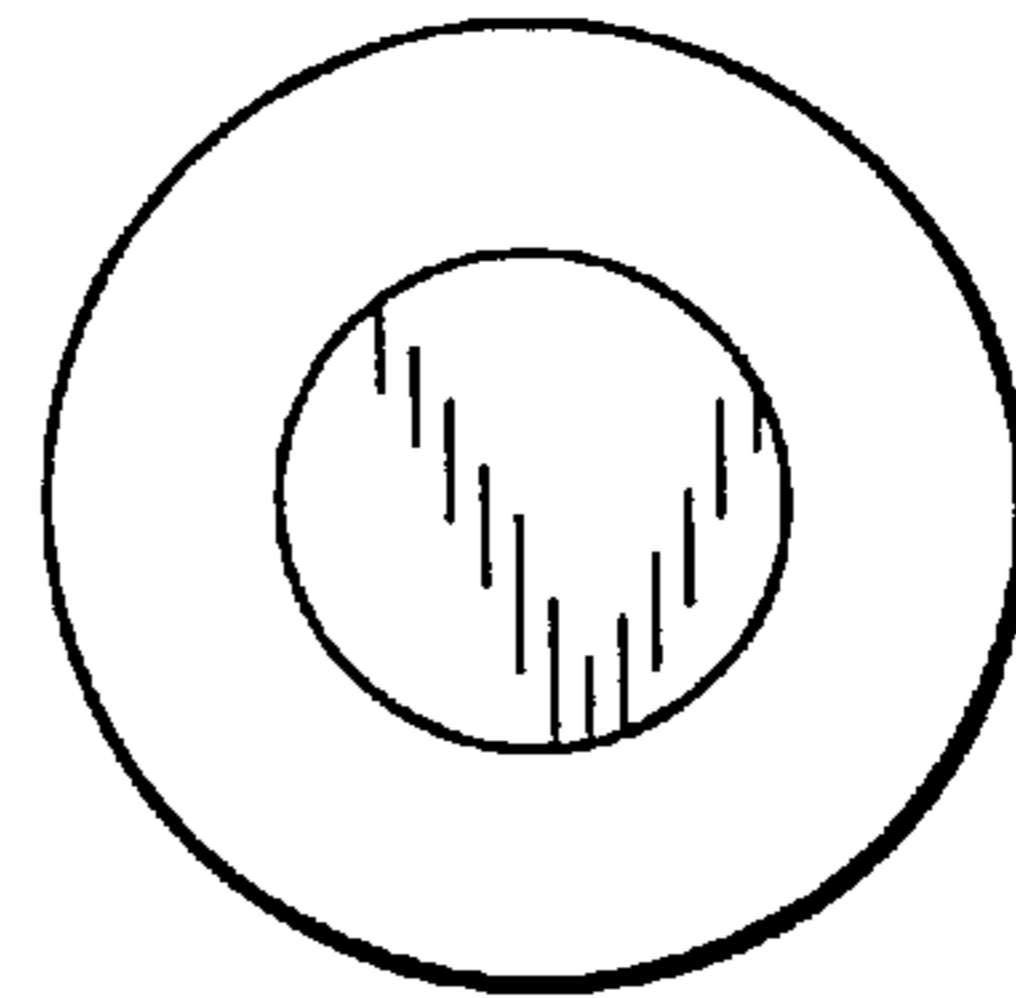


FIG. 7