



US00D400648S

# United States Patent [19]

Fabian et al.

[11] **Patent Number: Des. 400,648**

[45] **Date of Patent: \*\*Nov. 3, 1998**

[54] **FAUCET**

D. 346,852 5/1994 Hill ..... D23/238  
D. 347,466 5/1994 Koloop et al. .... D23/238  
D. 367,918 3/1996 Houg et al. .... D23/238

[75] Inventors: **Wolfgang Fabian**, Mannheim, Germany; **John Hyde**, Flemington, N.J.; **Albert Becker**, Wittlich-Lüxem, Germany

*Primary Examiner*—Louis S. Zarfes  
*Assistant Examiner*—Eric Watterson

[73] Assignee: **American Standard Inc.**, Piscataway, N.J.

[57] **CLAIM**

The ornamental design for a faucet, as shown and described.

[\*\*] Term: **14 Years**

**DESCRIPTION**

[21] Appl. No.: **62,178**

FIG. 1 is a perspective view of a faucet showing my new design;  
FIG. 2 is a front elevational view thereof;  
FIG. 3 is a rear elevational view thereof;  
FIG. 4 is a right side elevational view thereof, the left side view being a mirror image of the right side;  
FIG. 5 is a bottom plan view thereof; and,  
FIG. 6 is a top plan view thereof.

[22] Filed: **Nov. 8, 1996**

[51] **LOC (6) Cl.** ..... **23-01**

[52] **U.S. Cl.** ..... **D23/243**

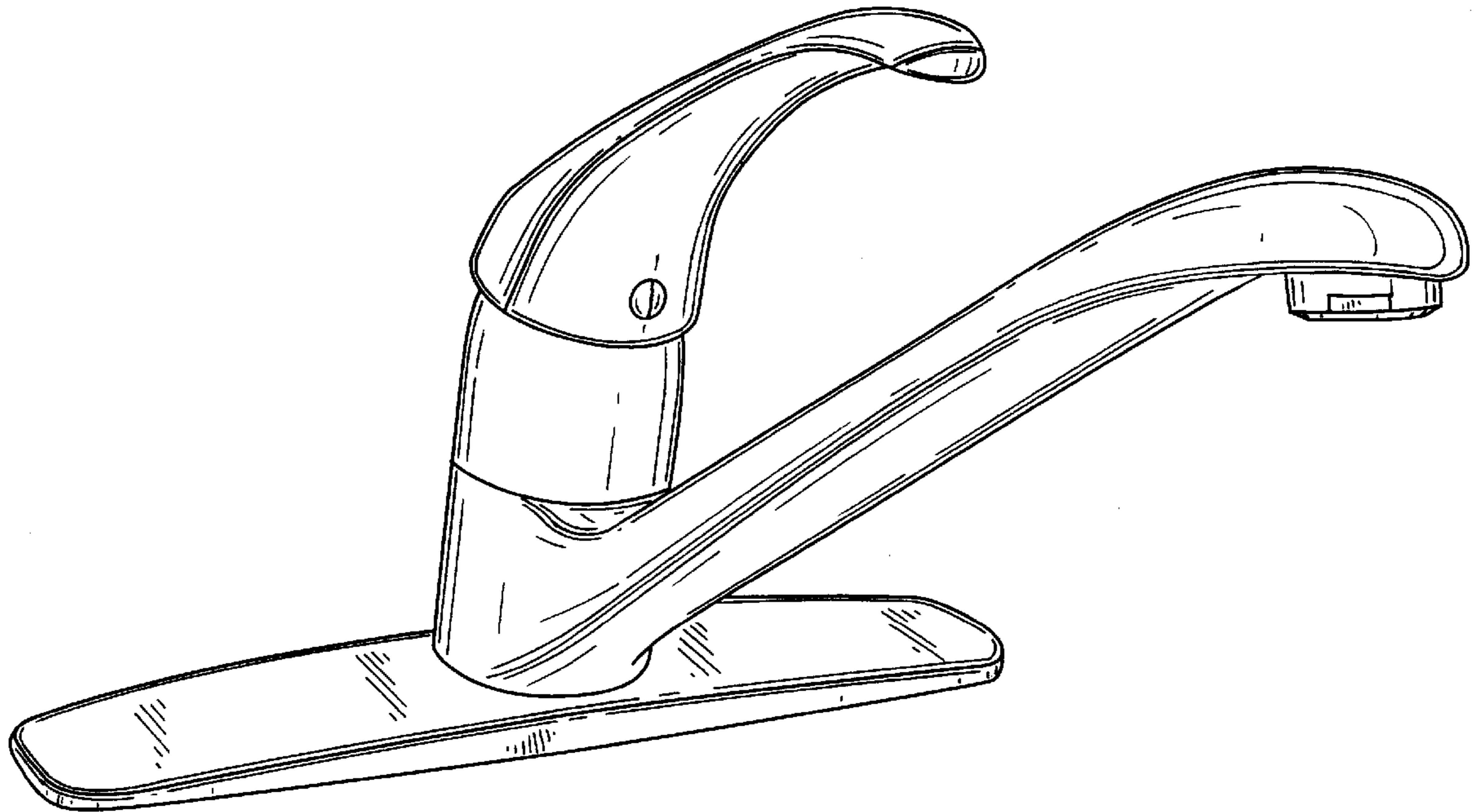
[58] **Field of Search** ..... D23/238-243,  
D23/250-257; 4/675-678; 137/801

[56] **References Cited**

**U.S. PATENT DOCUMENTS**

D. 323,877 2/1992 Houg et al. .... D23/238

**1 Claim, 5 Drawing Sheets**



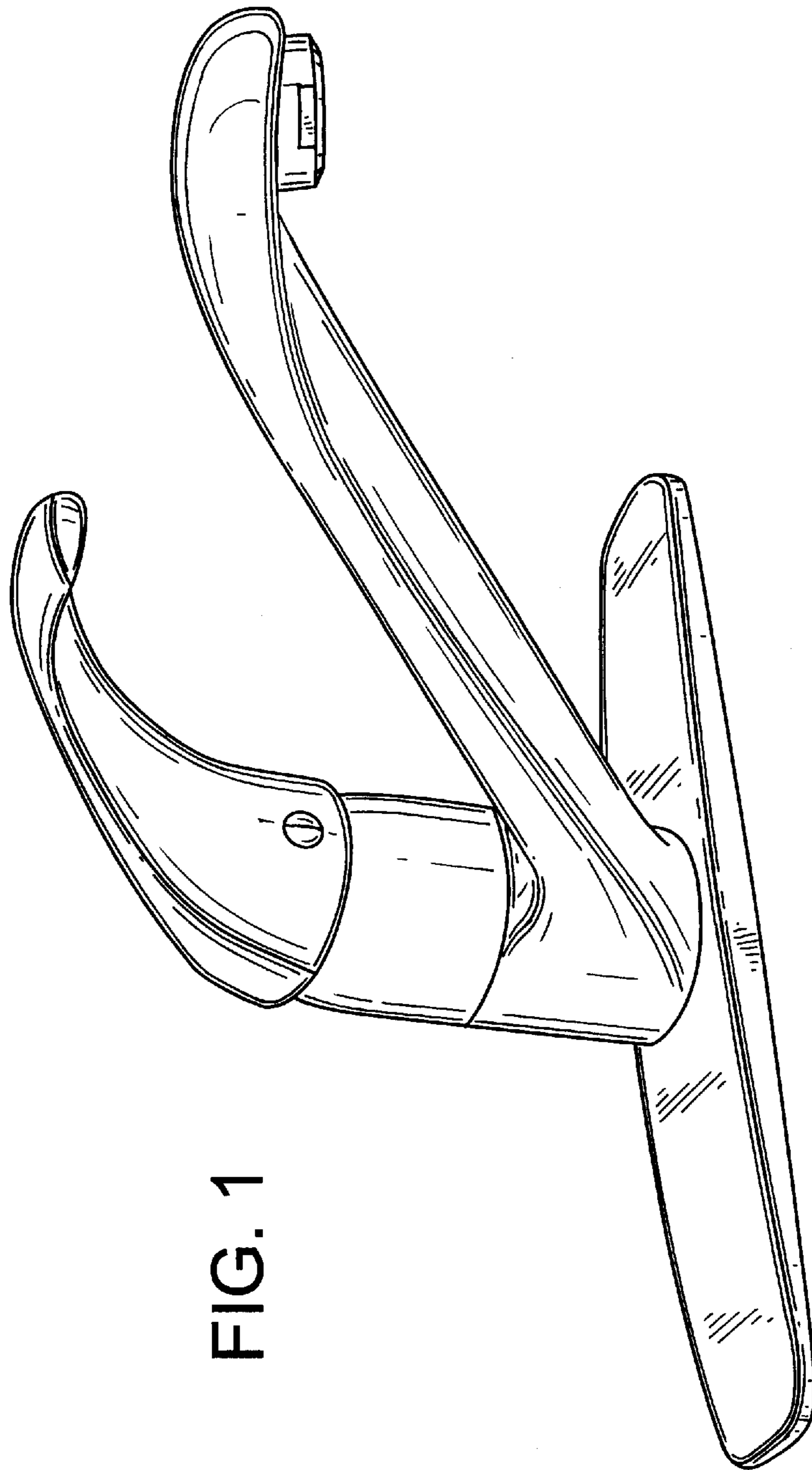


FIG. 1

FIG. 2

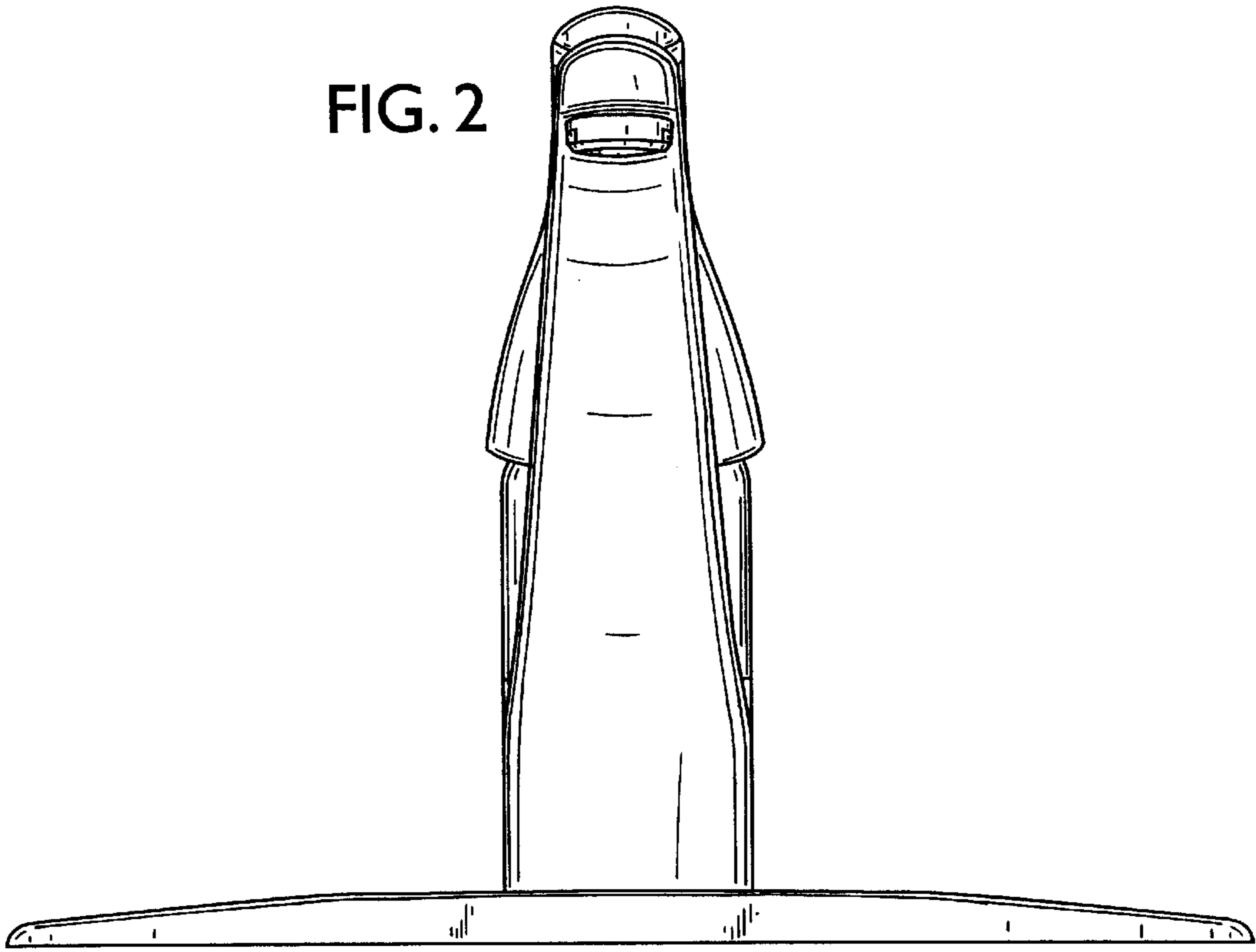
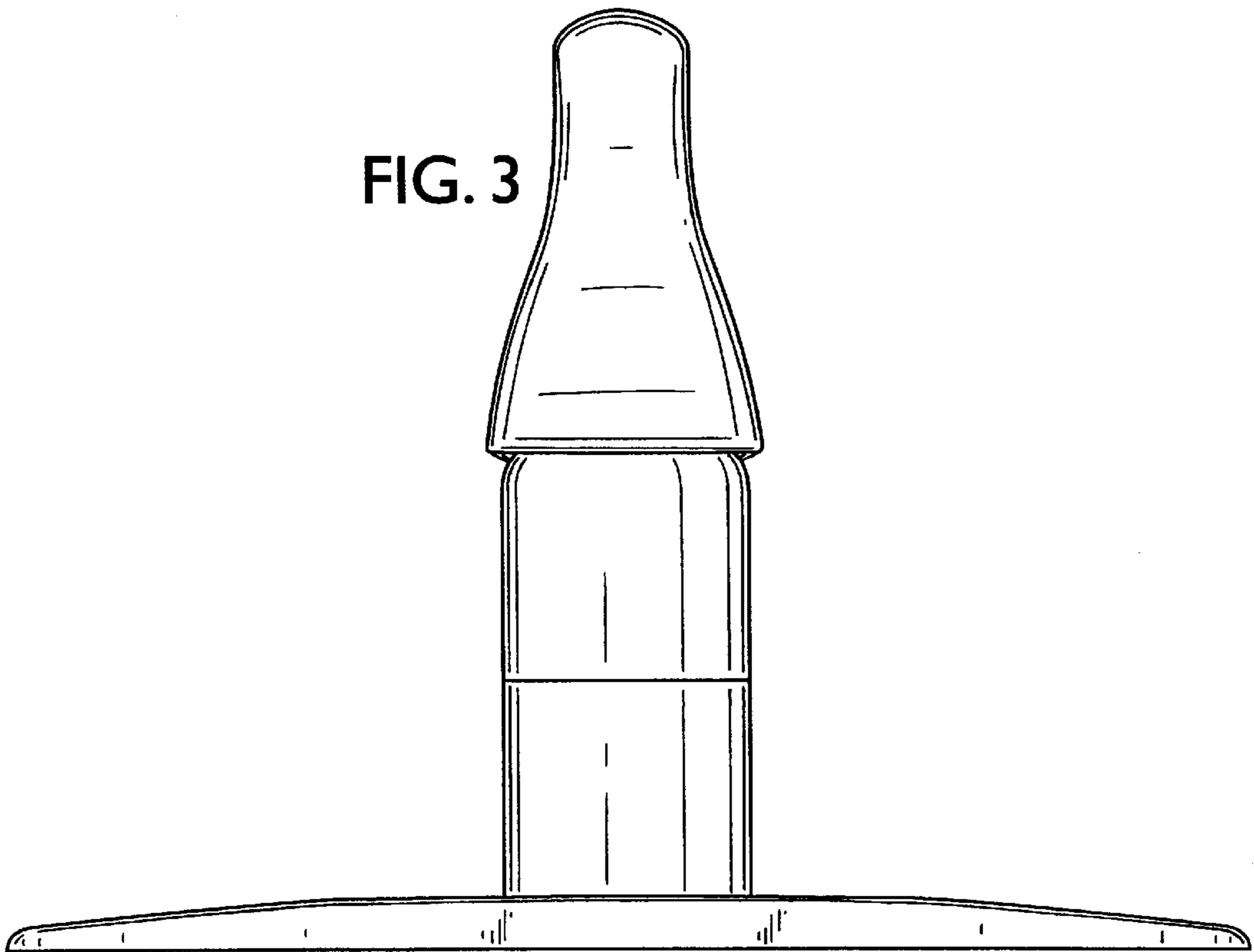


FIG. 3



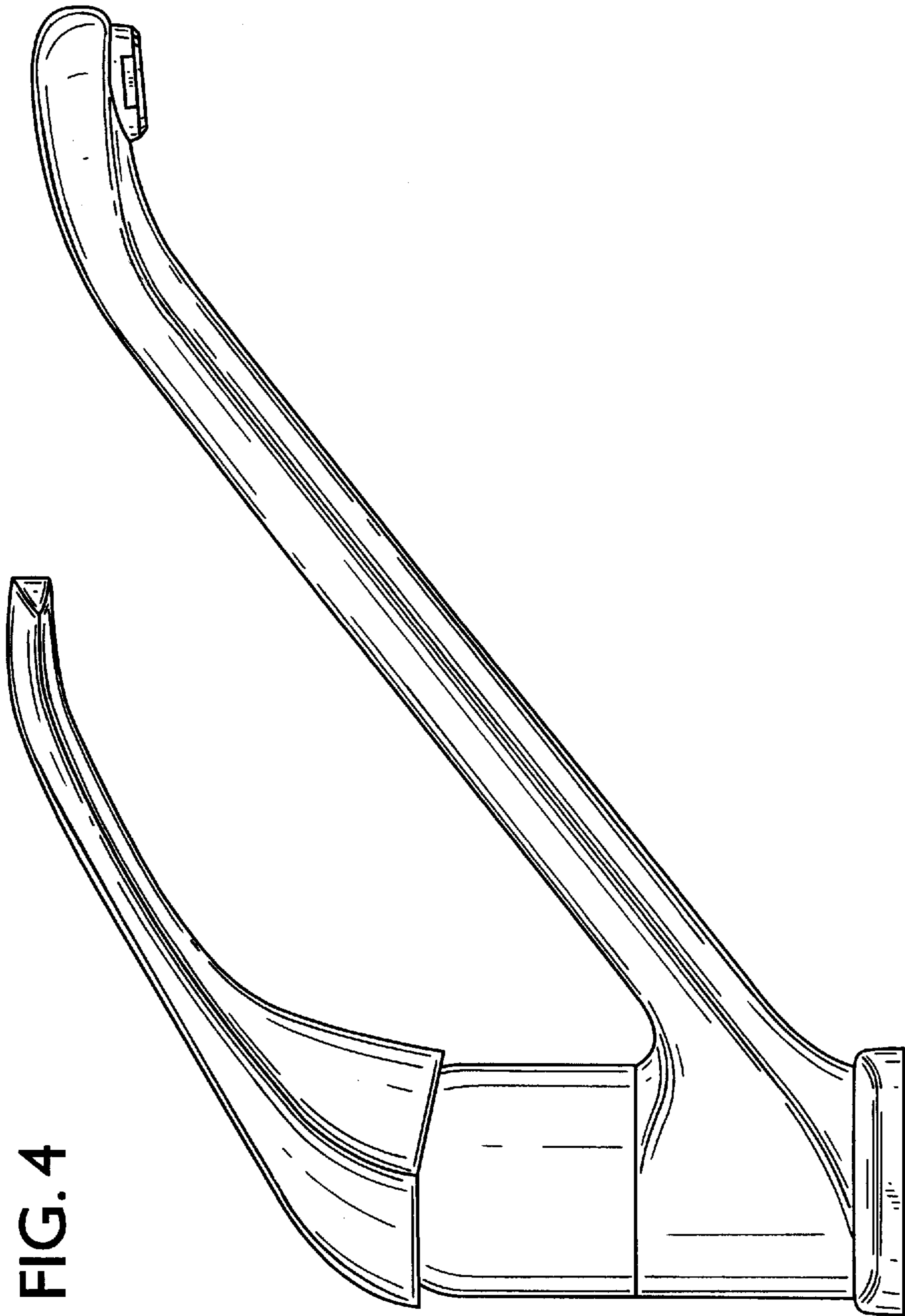


FIG. 4

FIG. 5

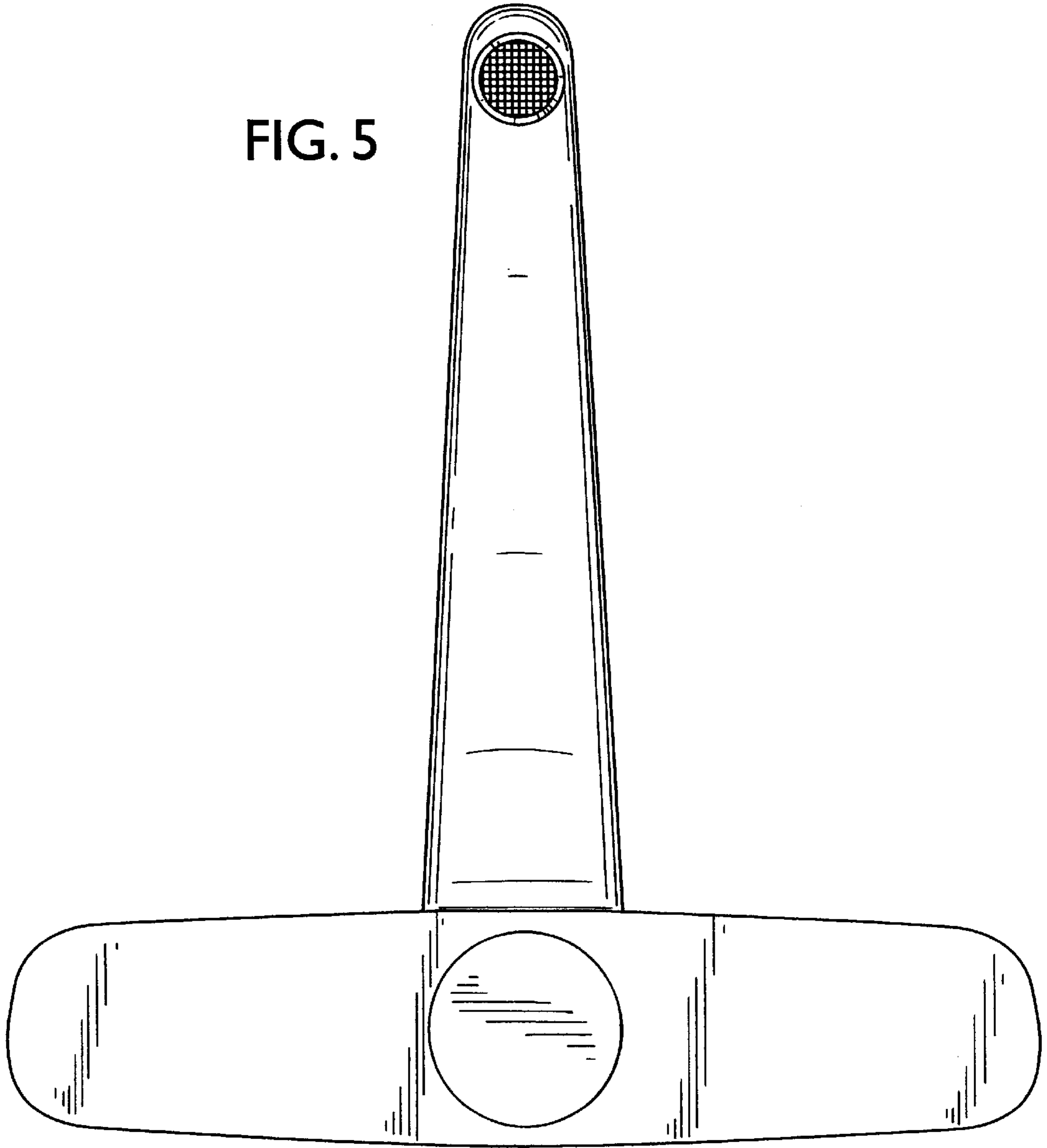


FIG. 6

