



US00D400646S

# United States Patent [19]

Hill et al.

[11] Patent Number: Des. 400,646

[45] Date of Patent: \*\*Nov. 3, 1998

[54] FAUCET

[75] Inventors: **Loran R. Hill**, Indianapolis; **Anthony G. Spangler**, Greensburg, both of Ind.

[73] Assignee: **Masco Corporation of Indiana**, Indianapolis, Ind.

[\*\*] Term: **14 Years**

[21] Appl. No.: **46,285**

[22] Filed: **Nov. 13, 1995**

[51] **LOC (6) Cl.** ..... **23-01**

[52] **U.S. Cl.** ..... **D23/241**

[58] **Field of Search** ..... D23/238-243, D23249-255; 4/675-678; 137/801

## [56] References Cited

### U.S. PATENT DOCUMENTS

- D. 45,861 6/1914 Divekey .
- D. 87,328 5/1932 Brotz .
- D. 273,512 4/1984 Arnolds .
- D. 278,270 4/1985 Niemann .
- D. 278,271 4/1985 Niemann .
- D. 279,598 7/1985 Rademacher .
- D. 280,008 8/1985 Miller et al. .
- D. 280,009 8/1985 Miller et al. .
- D. 284,499 7/1986 Yost .
- D. 284,992 8/1986 Joerger .
- D. 285,597 9/1986 Miller et al. .
- D. 288,835 3/1987 Yost .
- D. 290,387 6/1987 Joerger .
- D. 291,117 7/1987 Ryan .
- D. 291,236 8/1987 Delepine .
- D. 293,362 12/1987 Hill et al. .
- D. 295,661 5/1988 Kohler, Jr. et al. .
- D. 295,662 5/1988 Kohler, Jr. .
- D. 296,461 6/1988 Yost .
- D. 298,274 10/1988 Fabian .
- D. 299,161 12/1988 Frattini .
- D. 299,519 1/1989 Fabian .
- D. 300,653 4/1989 Paul .
- D. 301,605 6/1989 Jans .
- D. 301,918 6/1989 Fabian .
- D. 304,069 10/1989 Haug et al. .
- D. 313,646 1/1991 Selberg et al. .
- D. 314,812 2/1991 Jans .

- D. 324,259 2/1992 Yost .
- D. 325,622 4/1992 Bengtson .
- D. 326,901 6/1992 Yost .
- D. 329,688 9/1992 Yost .
- D. 331,275 11/1992 Knapp .
- D. 331,276 11/1992 Knapp .
- D. 339,411 9/1993 Gottwald .
- D. 339,847 9/1993 Jans .
- D. 341,873 11/1993 Allen et al. .
- D. 341,875 11/1993 Allen et al. .
- D. 341,876 11/1993 Rademacher .
- D. 343,445 1/1994 Allen et al. .
- D. 346,013 4/1994 McKeone .
- D. 347,466 5/1994 Kolada et al. .
- D. 349,756 8/1994 Altman .
- D. 349,757 8/1994 Altman .
- D. 349,948 8/1994 Bollenbacher et al. .
- D. 350,812 9/1994 Kolada et al. .
- D. 352,547 11/1994 McKeone .
- D. 353,442 12/1994 Formgren .
- D. 354,548 1/1995 Bollenbacher et al. .
- D. 356,631 3/1995 Kolada .

### OTHER PUBLICATIONS

COMCO catalog.  
Delta Full-line catalog (1991).

*Primary Examiner*—Stella Reid  
*Assistant Examiner*—Eric Watterson  
*Attorney, Agent, or Firm*—Myron B. Kapustij; Malcolm L. Sutherland

## [57] CLAIM

The ornamental design for a faucet, as shown and described.

## DESCRIPTION

FIG. 1 is a front perspective view of a faucet showing our new design;

FIG. 2 is a rear perspective view thereof;

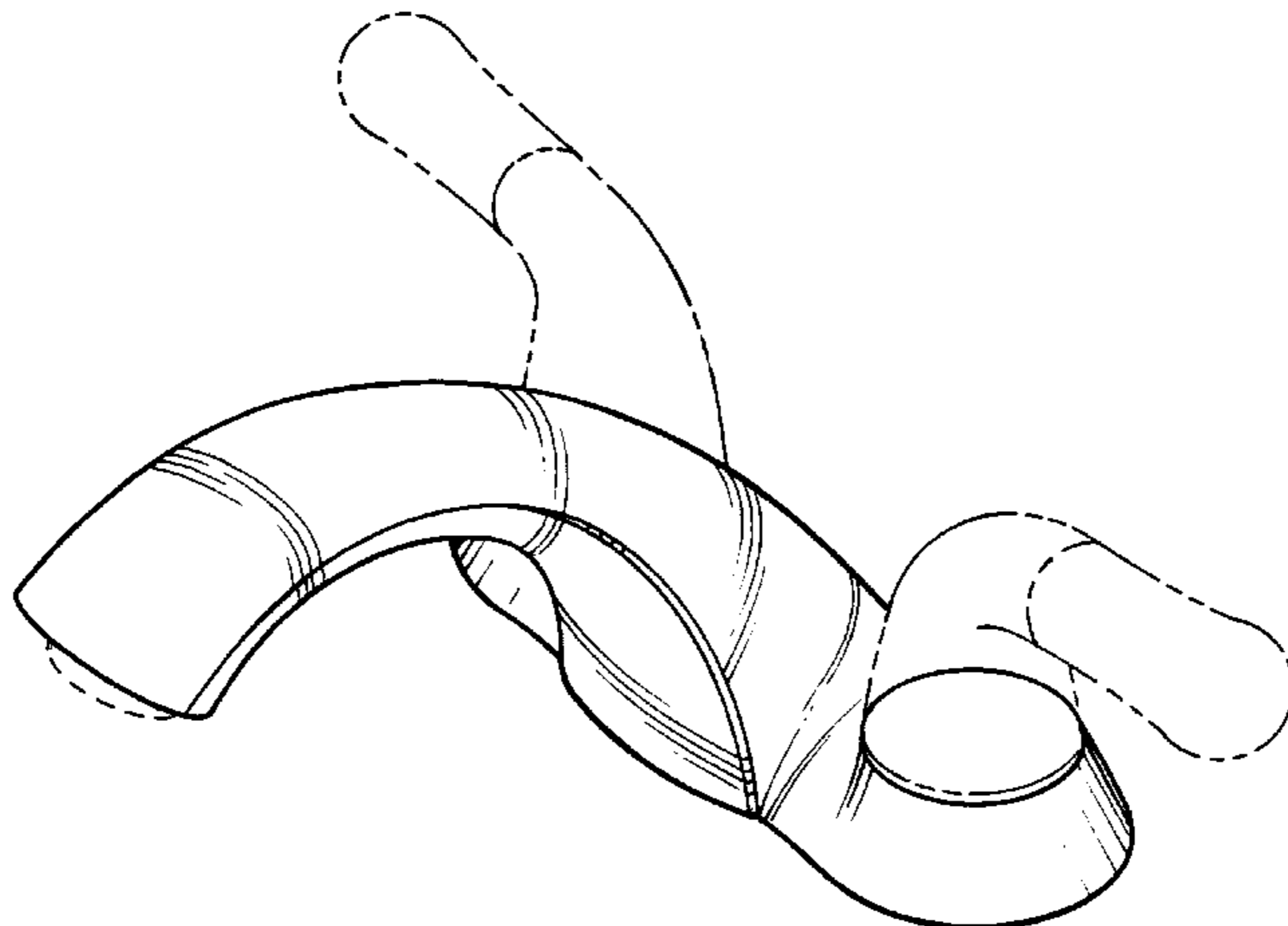
FIG. 3 is a front elevational view thereof;

FIG. 4 is a top plan view thereof;

FIG. 5 is a right side elevational view thereof, the left side being a mirror image;

FIG. 6 is a bottom plan view thereof; and,

FIG. 7 is a rear elevational view thereof.



The broken line showing of the aerator in FIGS. 1, 3, 5 and 6, the broken line showing of the handles in FIGS. 1 and 2, and the broken line showing of the water pipe openings in FIG. 6 are for purposes of illustration only and form no part of the claimed design.

**1 Claim, 4 Drawing Sheets**

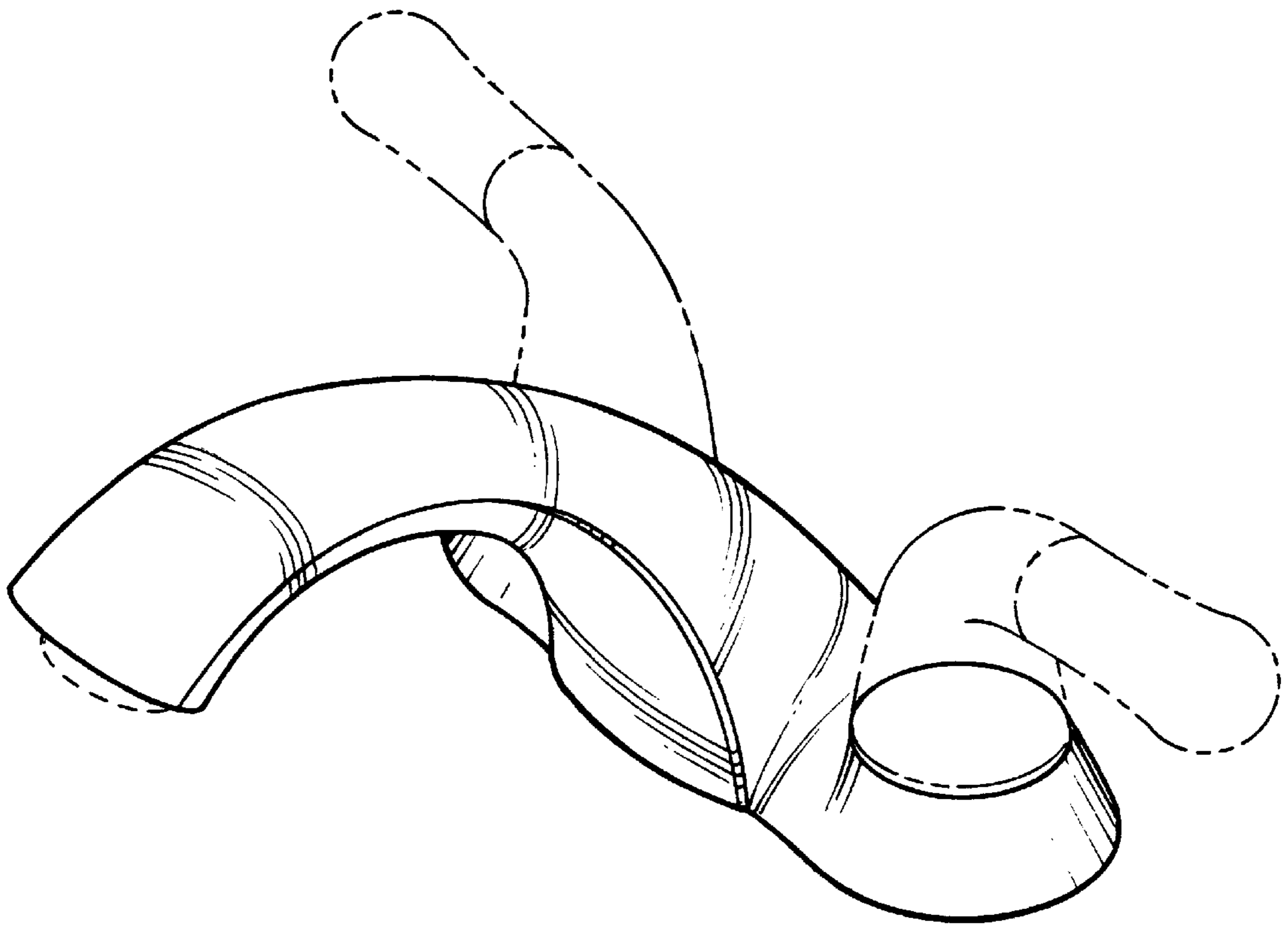


Fig - 1

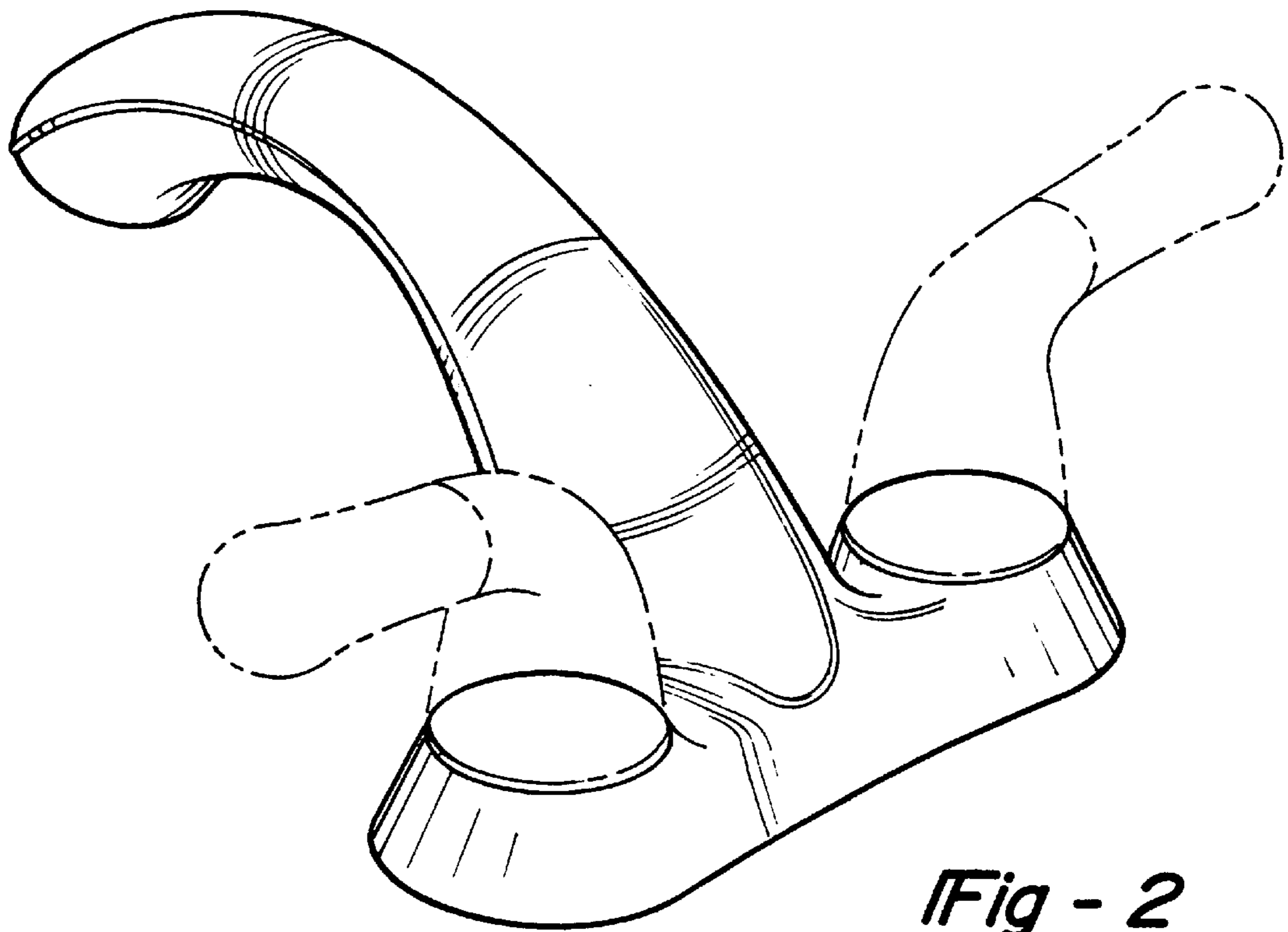


Fig - 2

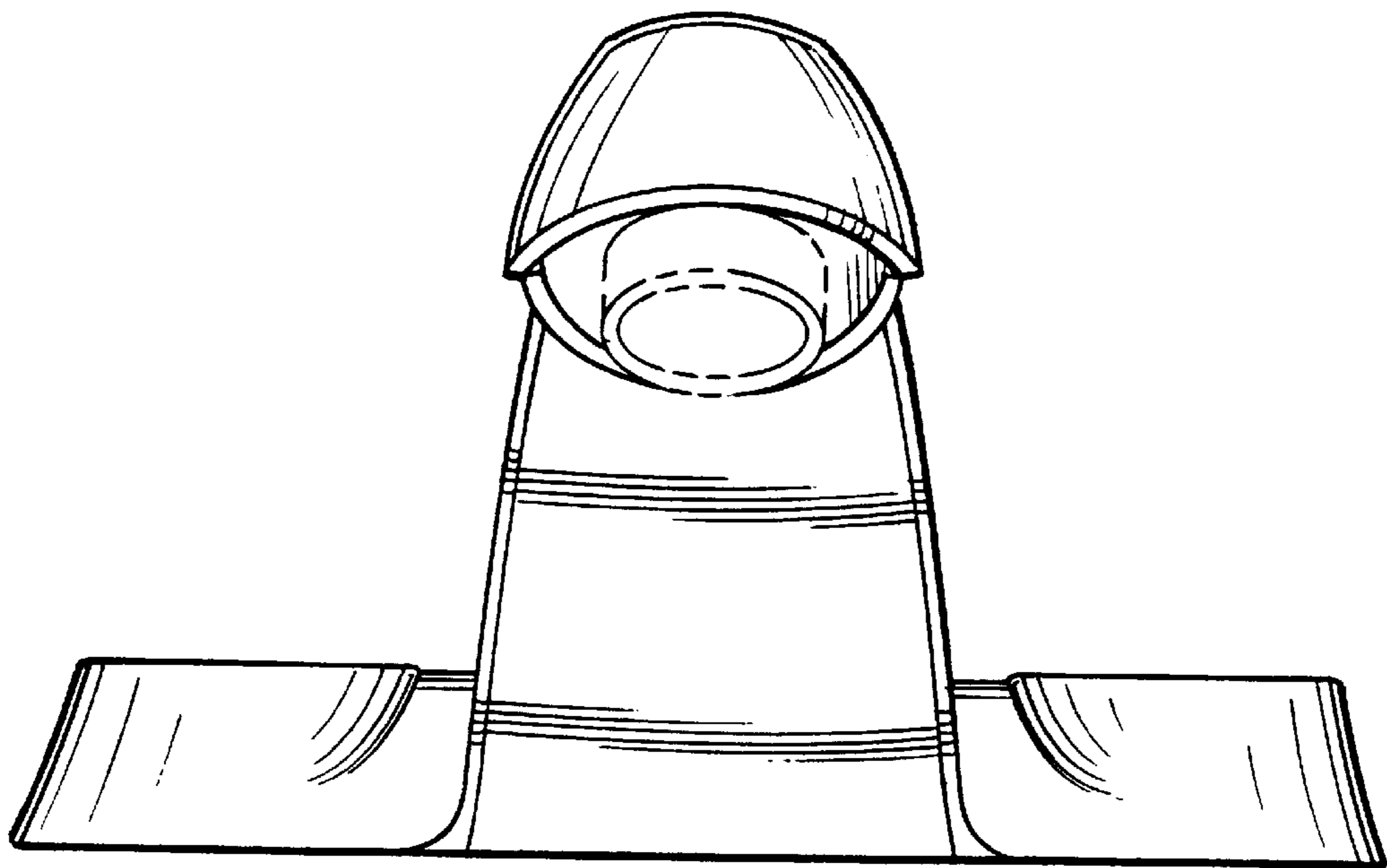


Fig - 3

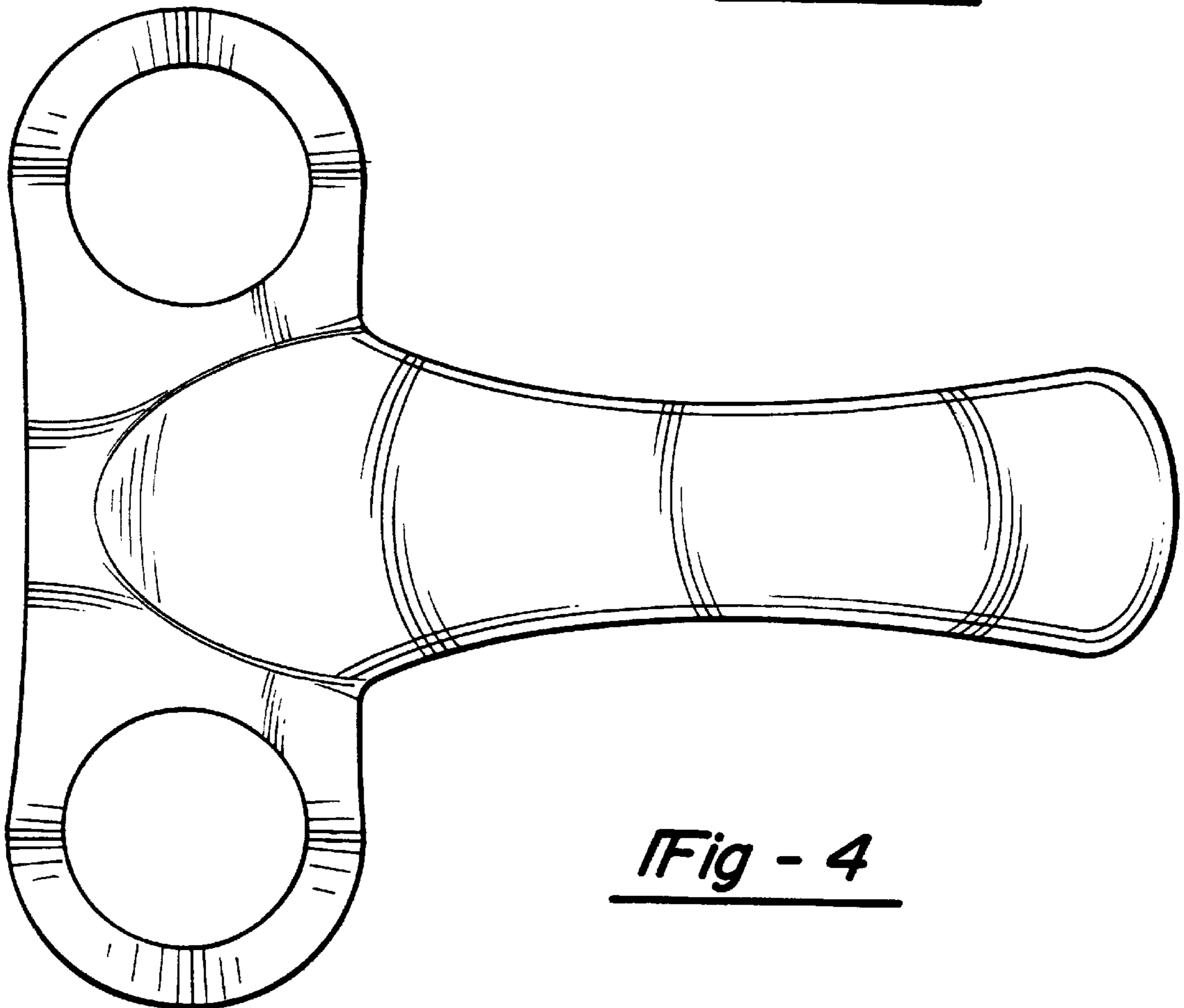


Fig - 4

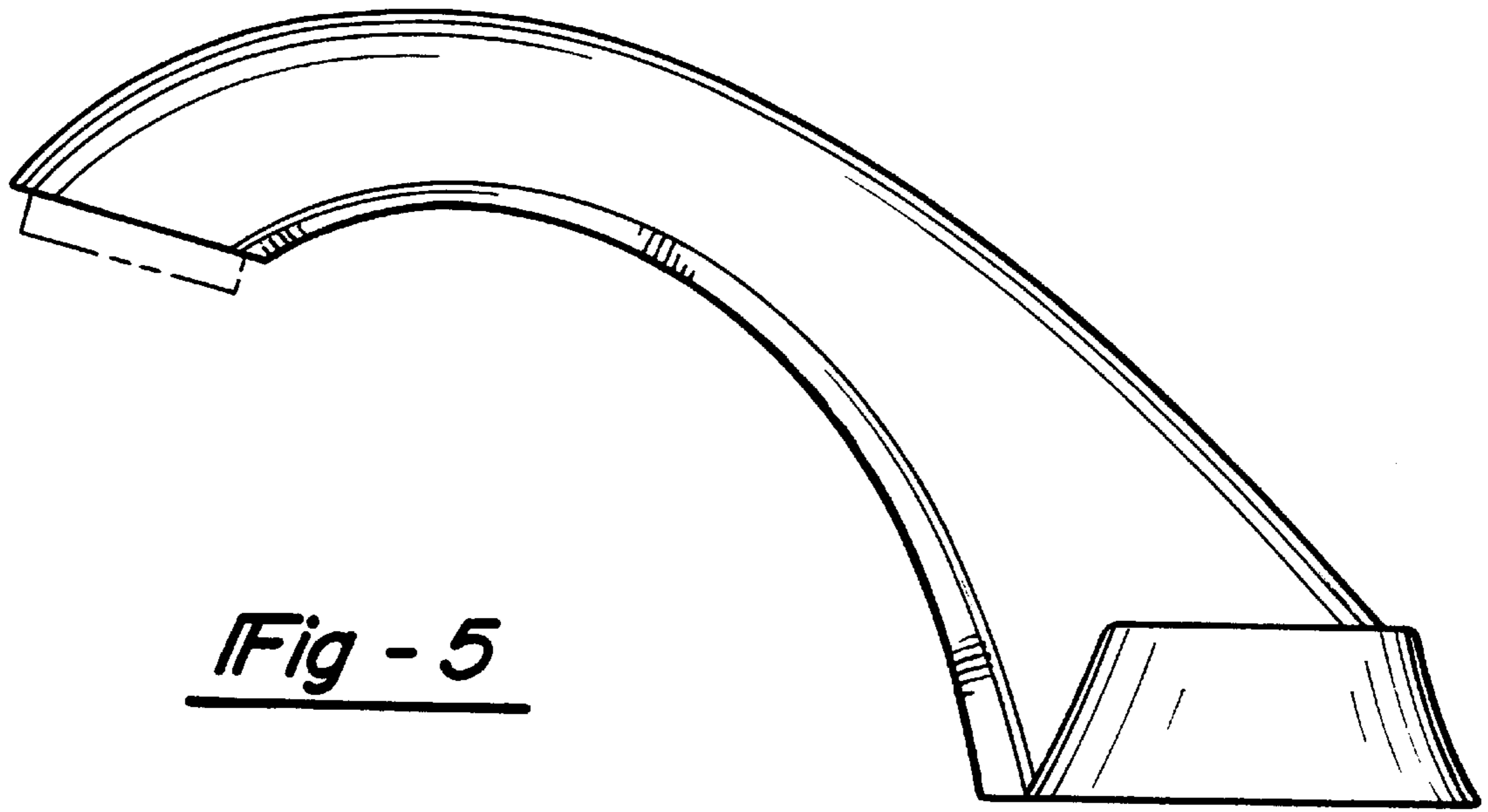


Fig - 5

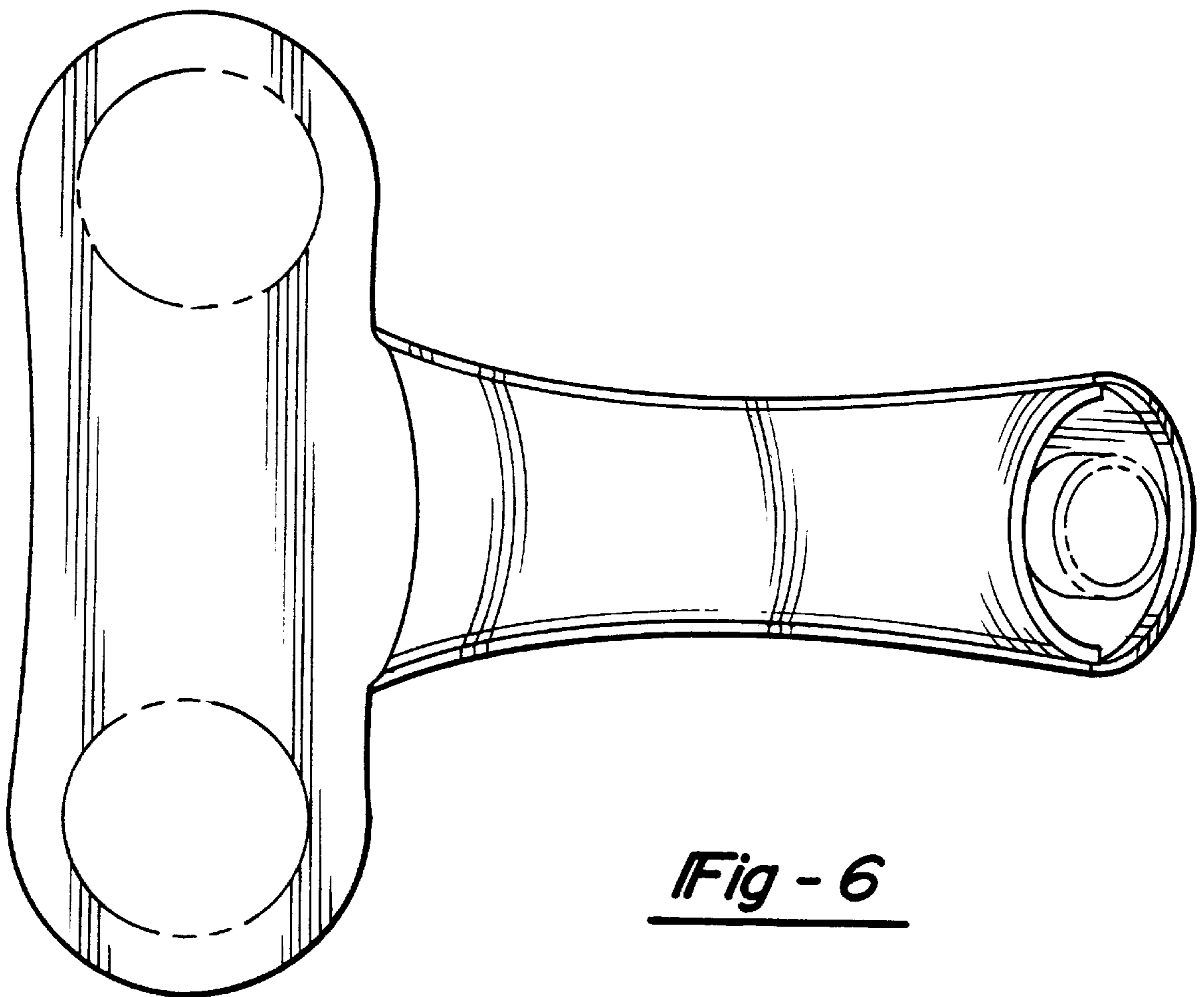


Fig - 6

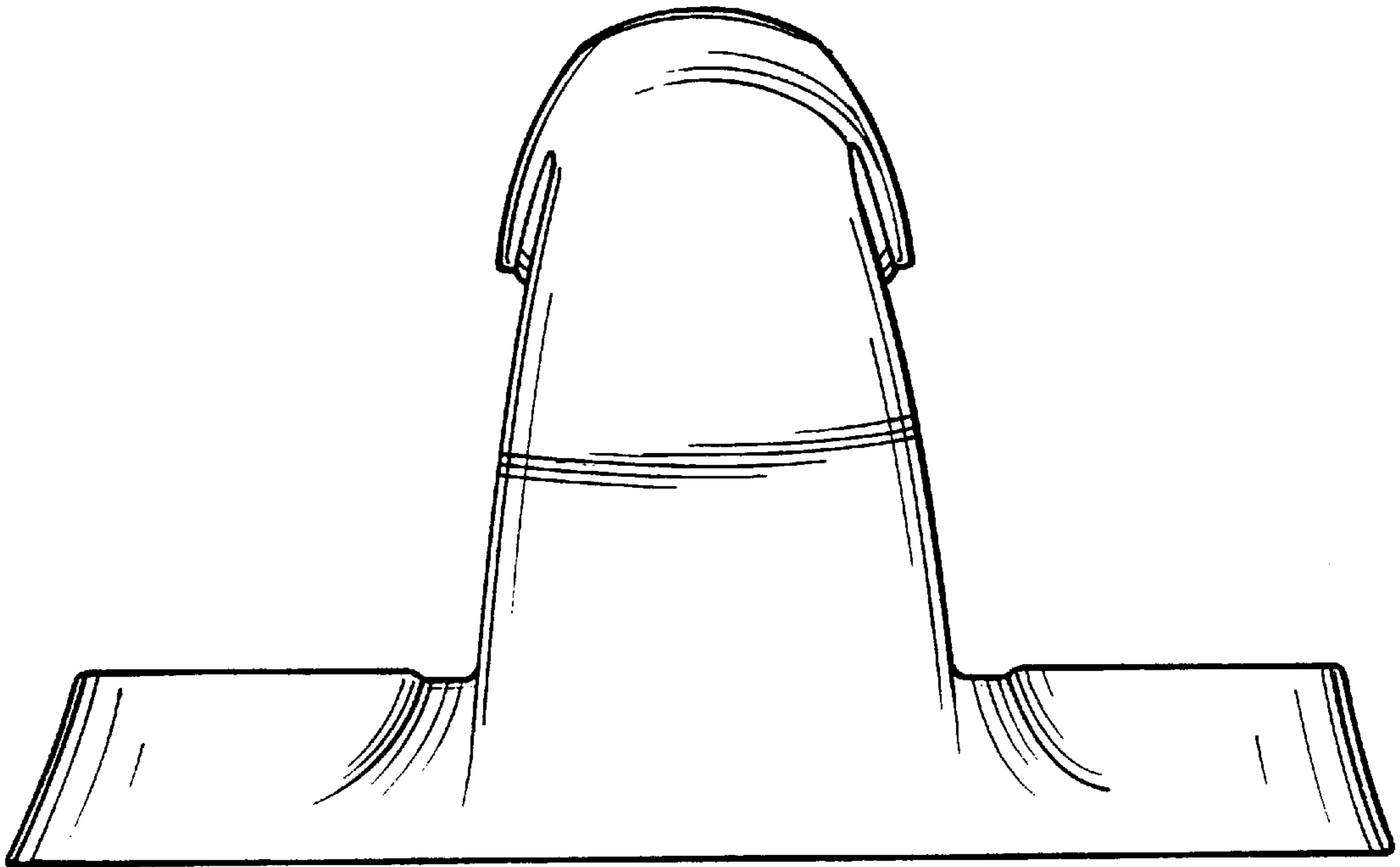


Fig - 7