



US00D400644S

United States Patent [19]

Alvern

[11] **Patent Number: Des. 400,644**

[45] **Date of Patent: **Nov. 3, 1998**

[54] **ADVERTISING CARRYING BODY FOR USE ON A FILLER GUN**

[75] Inventor: **Øyvind Alvern**, Hjeltestad, Norway

[73] Assignee: **Alvern Norway Asa**, Norway

[**] Term: **14 Years**

[21] Appl. No.: **70,571**

[22] Filed: **May 12, 1997**

[30] Foreign Application Priority Data

Nov. 15, 1996 [NO] Norway D960833

[51] **LOC (6) Cl.** **23-01**

[52] **U.S. Cl.** **D23/227**

[58] **Field of Search** D15/9.1; D23/213, D23/227; 137/377, 379; 141/52, 208, 209, 392

[56] References Cited

U.S. PATENT DOCUMENTS

- D. 173,006 9/1954 Anderson .
- D. 173,007 9/1954 Anderson .
- D. 177,538 4/1956 Sutcliffe D23/227
- D. 177,597 5/1956 Sinclair D23/227
- D. 177,648 5/1956 Sinclair D23/227
- D. 182,400 4/1958 Boone D23/227
- D. 279,483 7/1985 Goldman .
- D. 279,484 7/1985 Goldman .
- D. 358,452 5/1995 Karrick D23/227
- D. 366,310 1/1996 Fell .
- 4,408,791 10/1983 Griffin et al. .
- 4,465,209 8/1984 Wilder .
- 4,690,182 9/1987 Knaus .
- 5,058,637 10/1991 Fell .
- 5,184,309 2/1993 Simpson et al. .
- 5,184,655 2/1993 Fell .

FOREIGN PATENT DOCUMENTS

- 122642 2/1995 Australia .
- 123343 5/1995 Australia .
- 0407271A1 1/1991 European Pat. Off. .
- 62-208396 9/1987 Japan .
- 850627 10/1992 Japan .
- 1393062 5/1975 United Kingdom .

2147273 5/1985 United Kingdom .
WO90/08375 7/1990 WIPO .

Primary Examiner—Ralf Seifert
Attorney, Agent, or Firm—Finnegan, Henderson, Farabow, Garrett & Dunner, L.L.P.

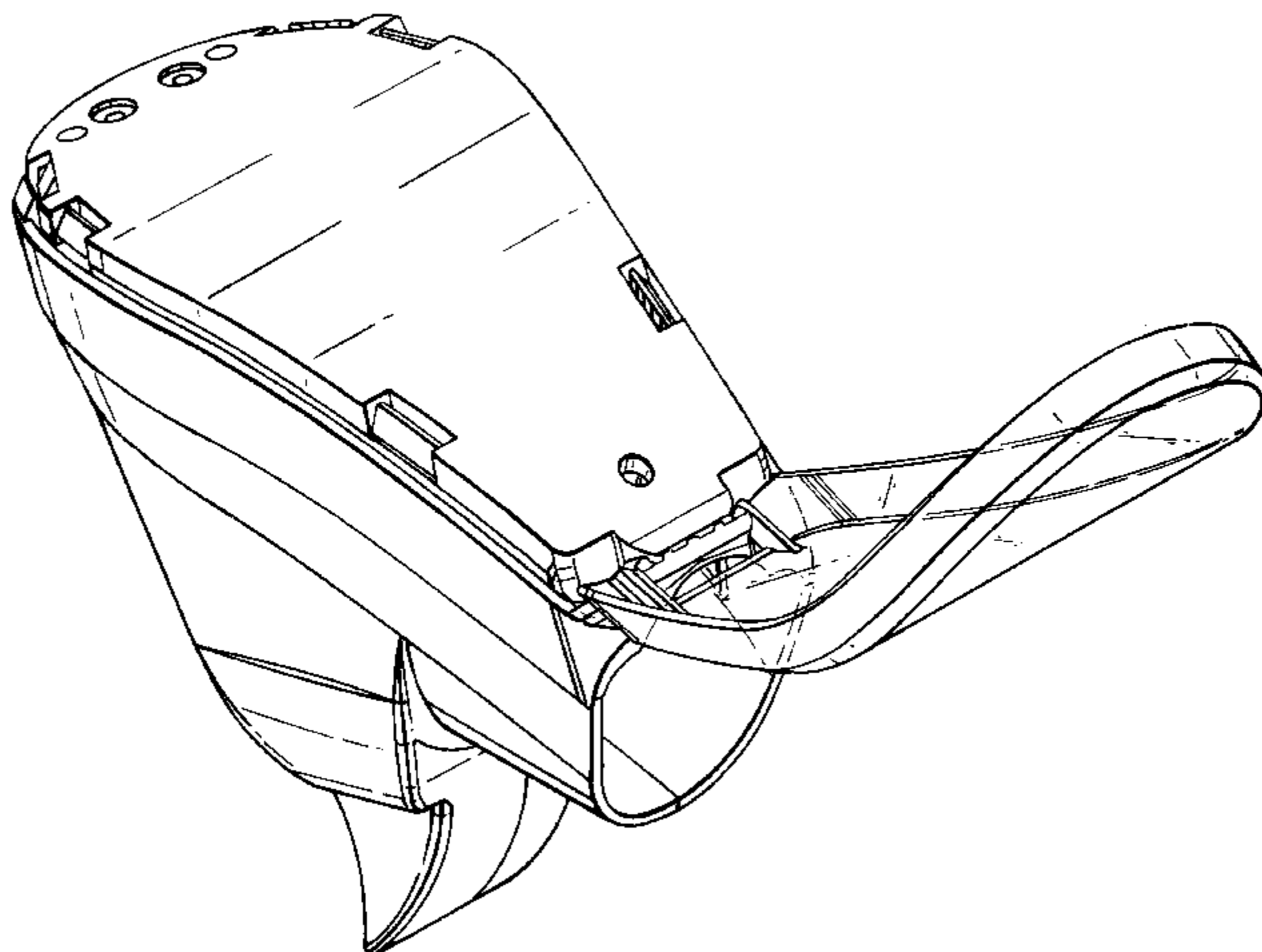
[57] CLAIM

The ornamental design for an advertizing carrying body for use on a filler gun, as shown and described.

DESCRIPTION

FIG. 1 is a top plan view of an advertising carrying body for use on a filler gun showing my new design;
 FIG. 2 is a view from other side of the carrying body;
 FIG. 3 is a view from above the carrying body;
 FIG. 4 is a view from below of the carrying body;
 FIG. 5 is a front perspective view from above and other side of the carrying body;
 FIG. 6 is a rear view of the carrying body;
 FIG. 7 is a front view from above the top member embodying my new design and forming a lid part of the carrying body;
 FIG. 8 is a rear from below of the topmember;
 FIG. 9 is a front perspective view from above and one side of the top member;
 FIG. 10 is a bottom view of the top member;
 FIG. 11 is a top view of the top member;
 FIG. 12 is a side view from one side of the top member;
 FIG. 13 is a side view from other side of the top member;
 FIG. 14 is a front view from above of the upper member embodying my new design and forming part of the carrying body;
 FIG. 15 is a side view from one of the upper member;
 FIG. 16 is a front perspective view from above and one side of the upper member;
 FIG. 17 is a side view from other side of the upper member;
 FIG. 18 is a bottom view of the upper member;
 FIG. 19 is a front perspective view from one side and above of the lower member embodying my new design and forming part of the carrying body;
 FIG. 20 is a top view of the lower member;
 FIG. 21 is a bottom view of the lower member;
 FIG. 22 is a view from one side of the lower member; and,
 FIG. 23 is a view from other side of the lower member.

1 Claim, 16 Drawing Sheets



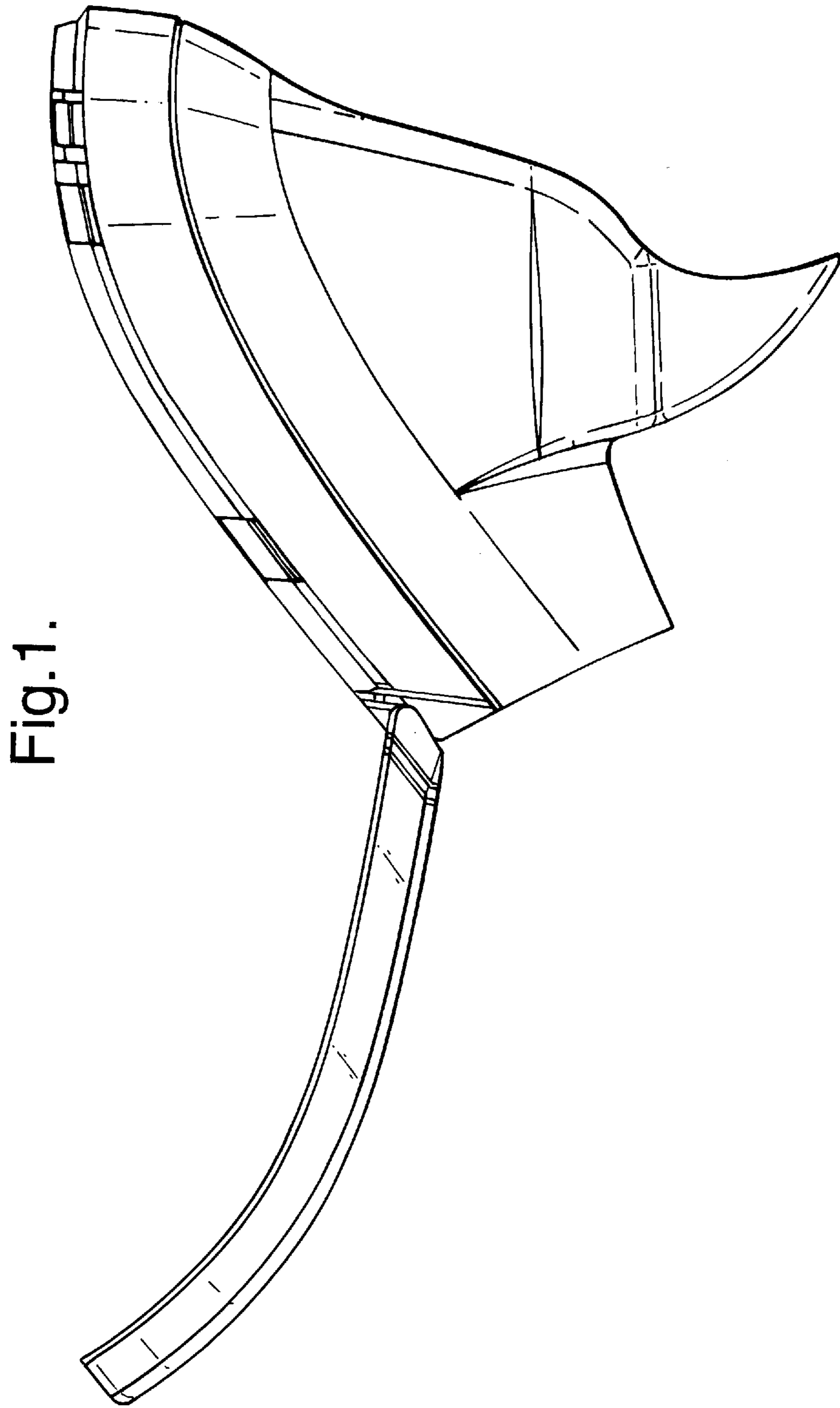


Fig. 1.

Fig.2.

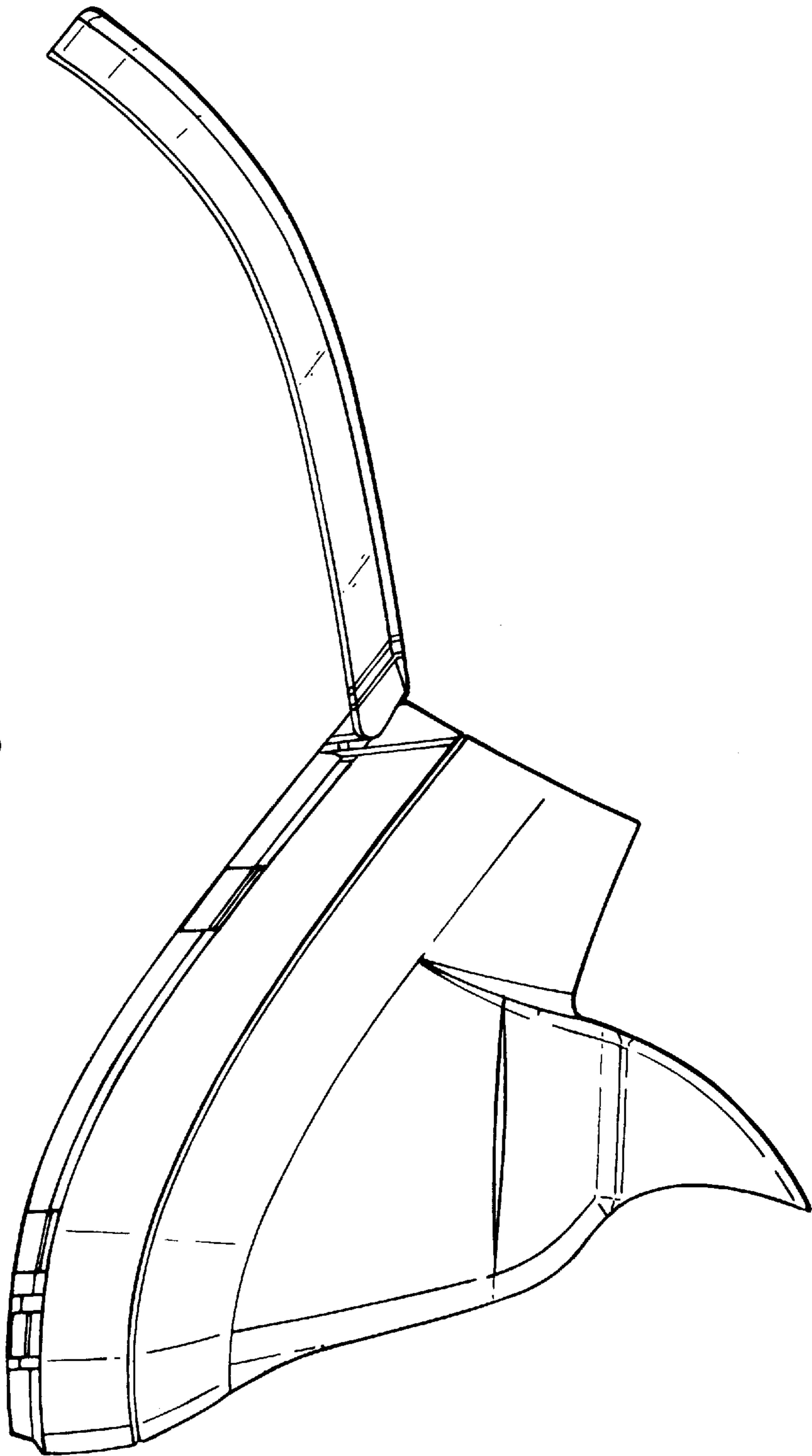


Fig.3.

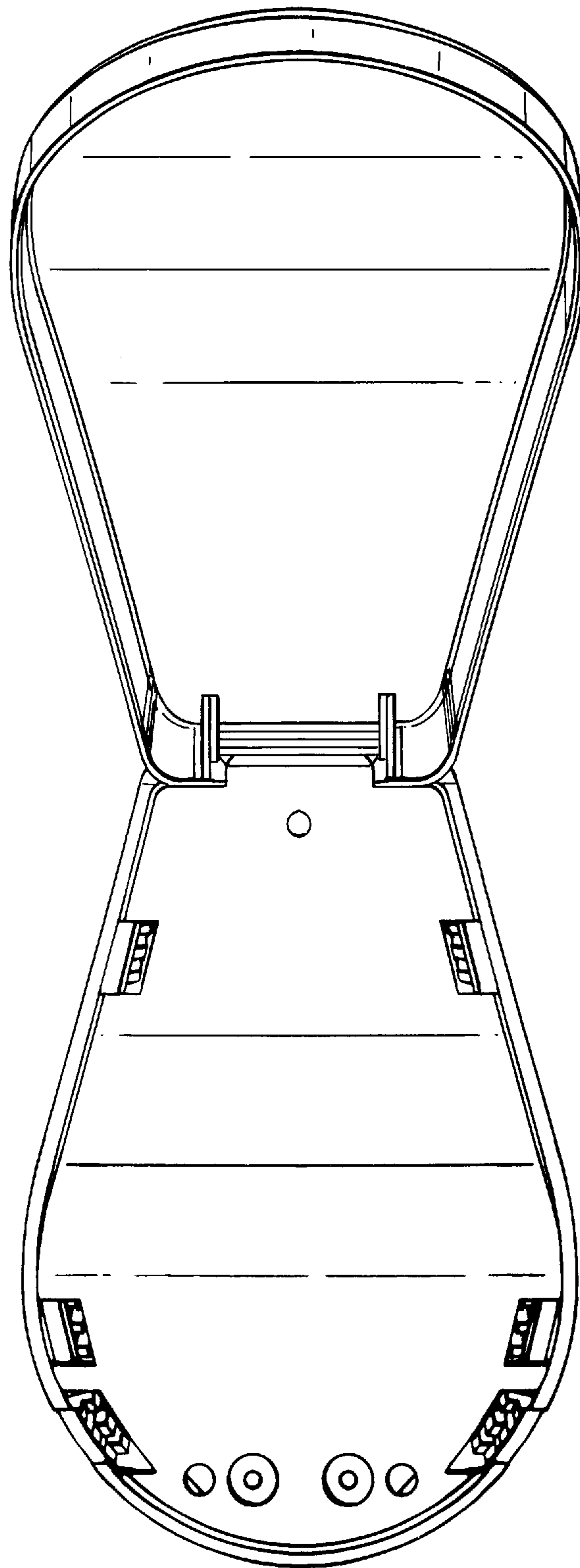


Fig.4.

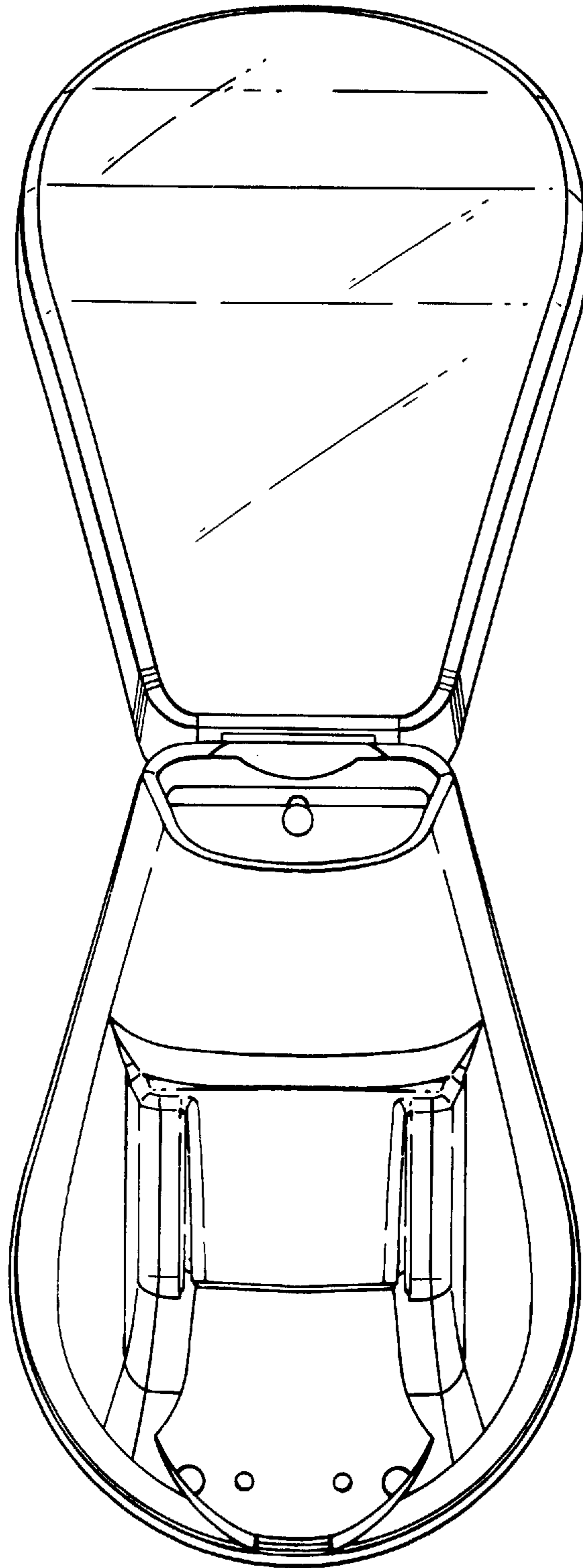


Fig.5.

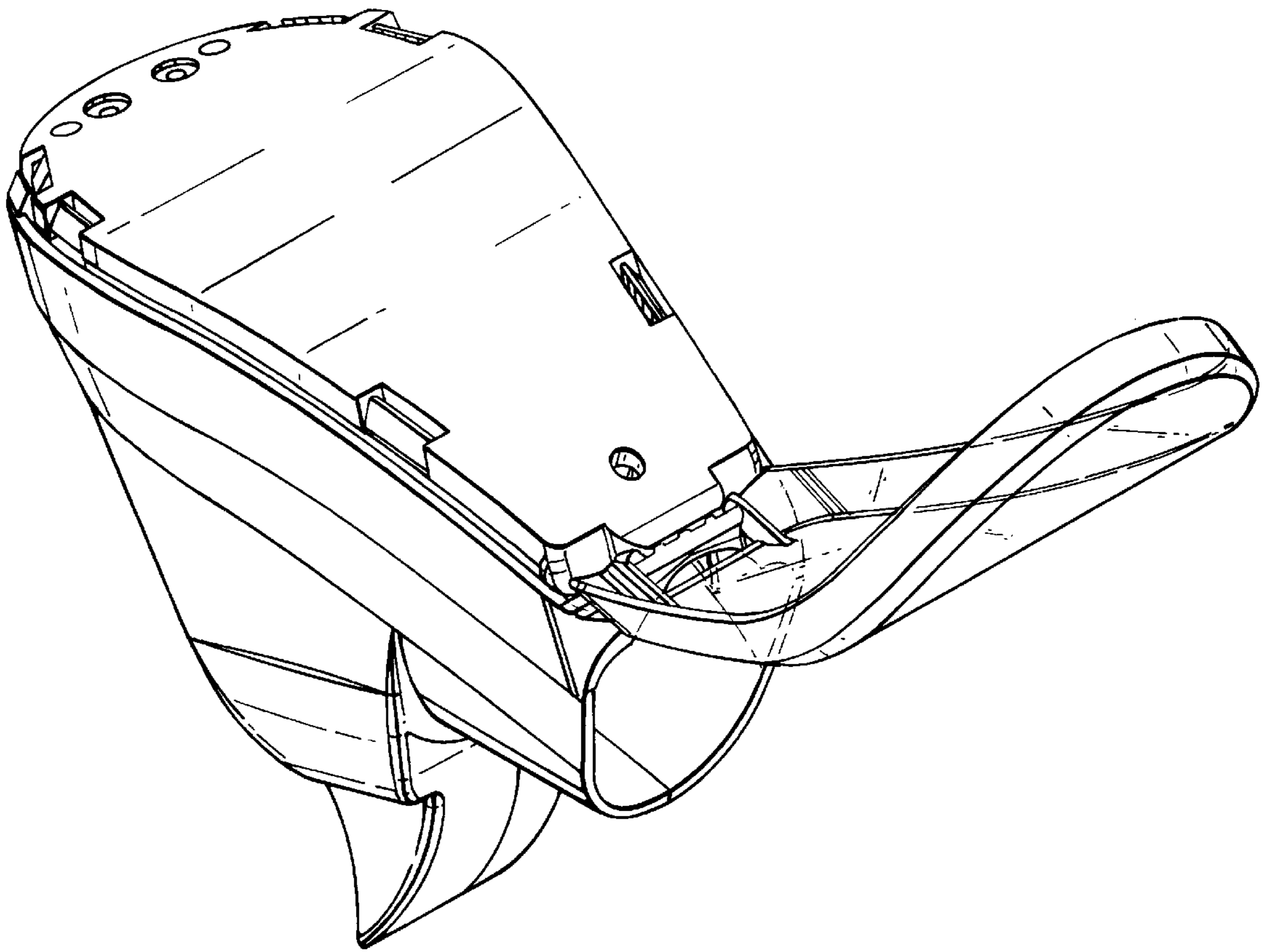


Fig.6.

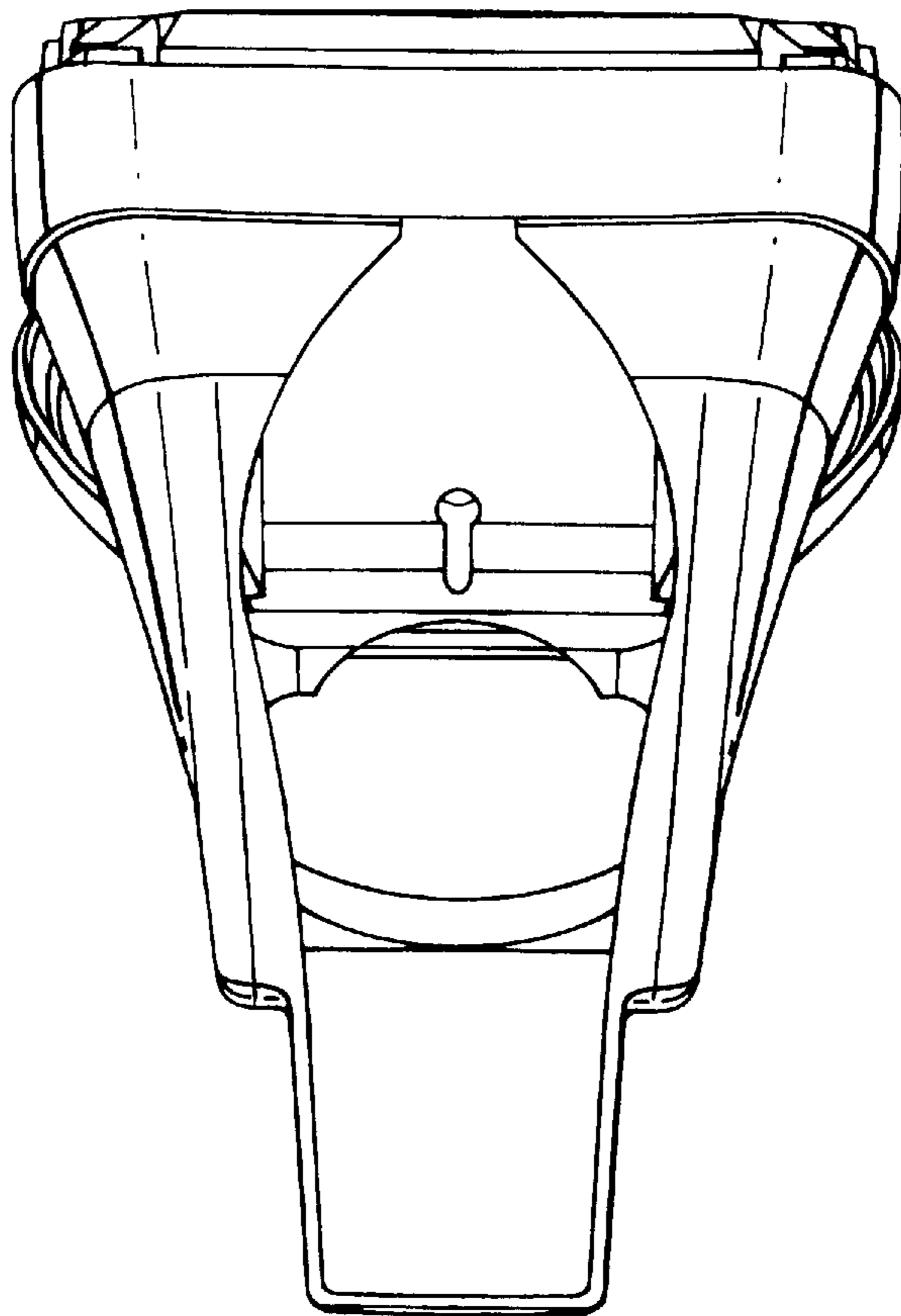


Fig.7.

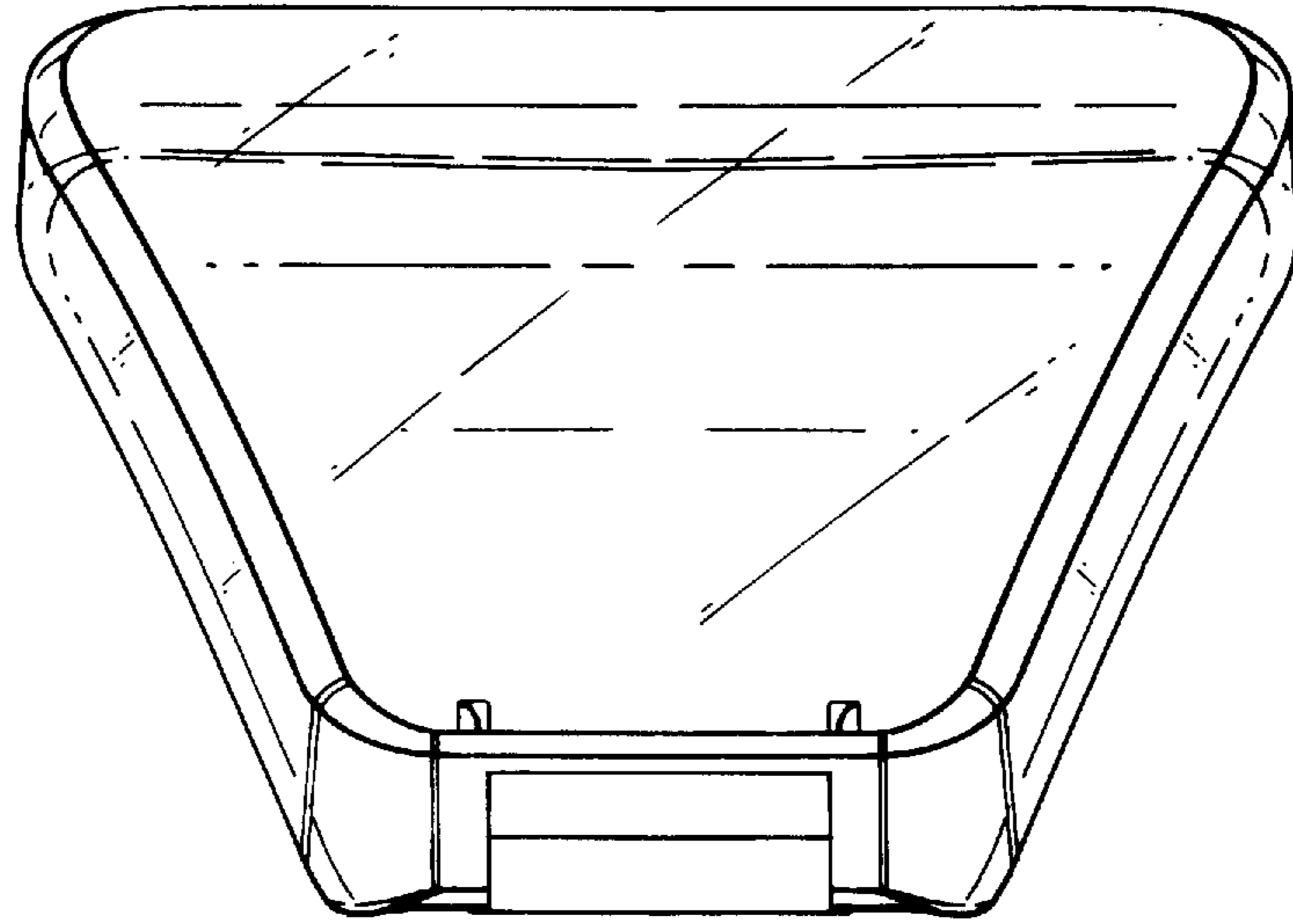


Fig.8.

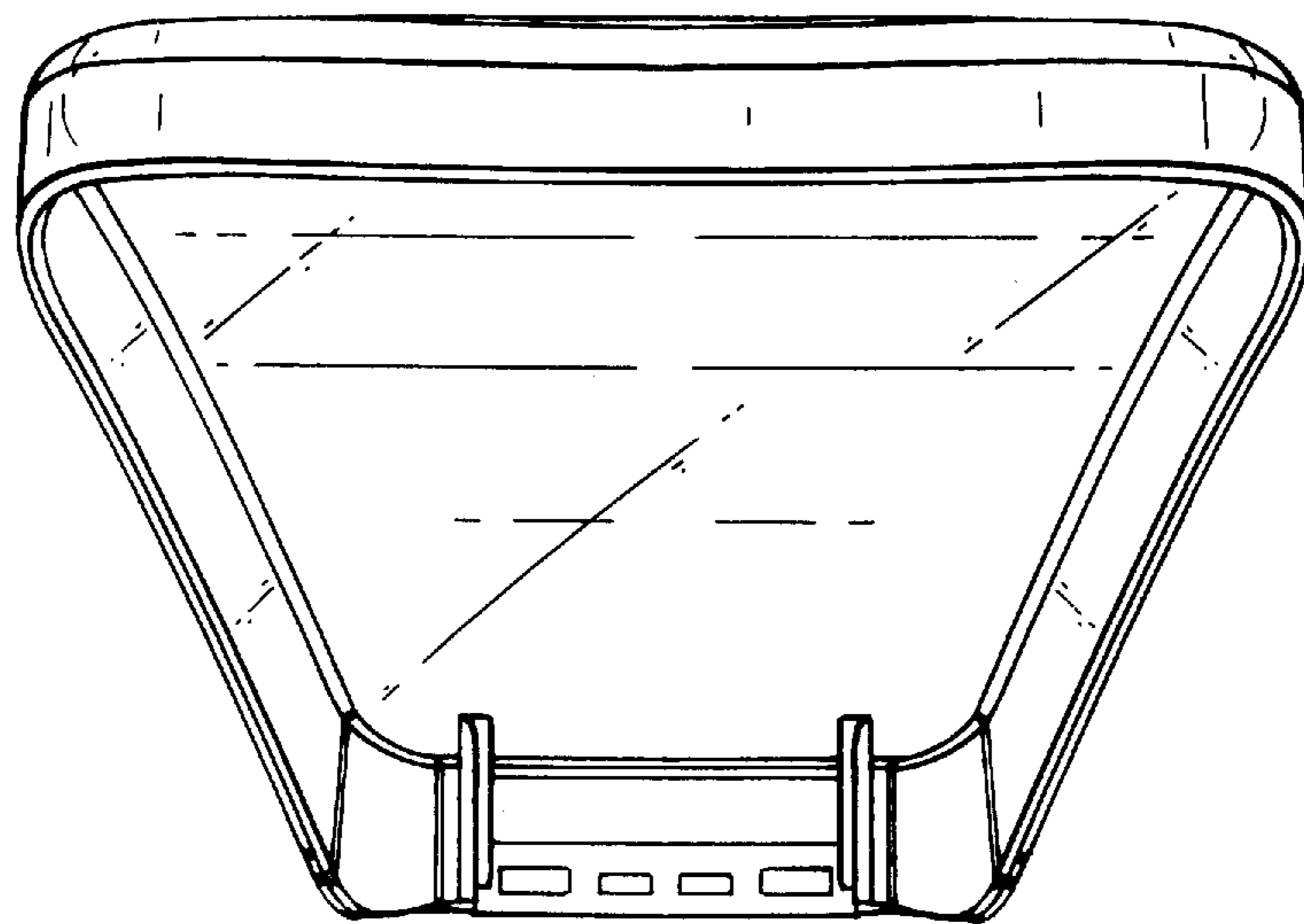


Fig.9.

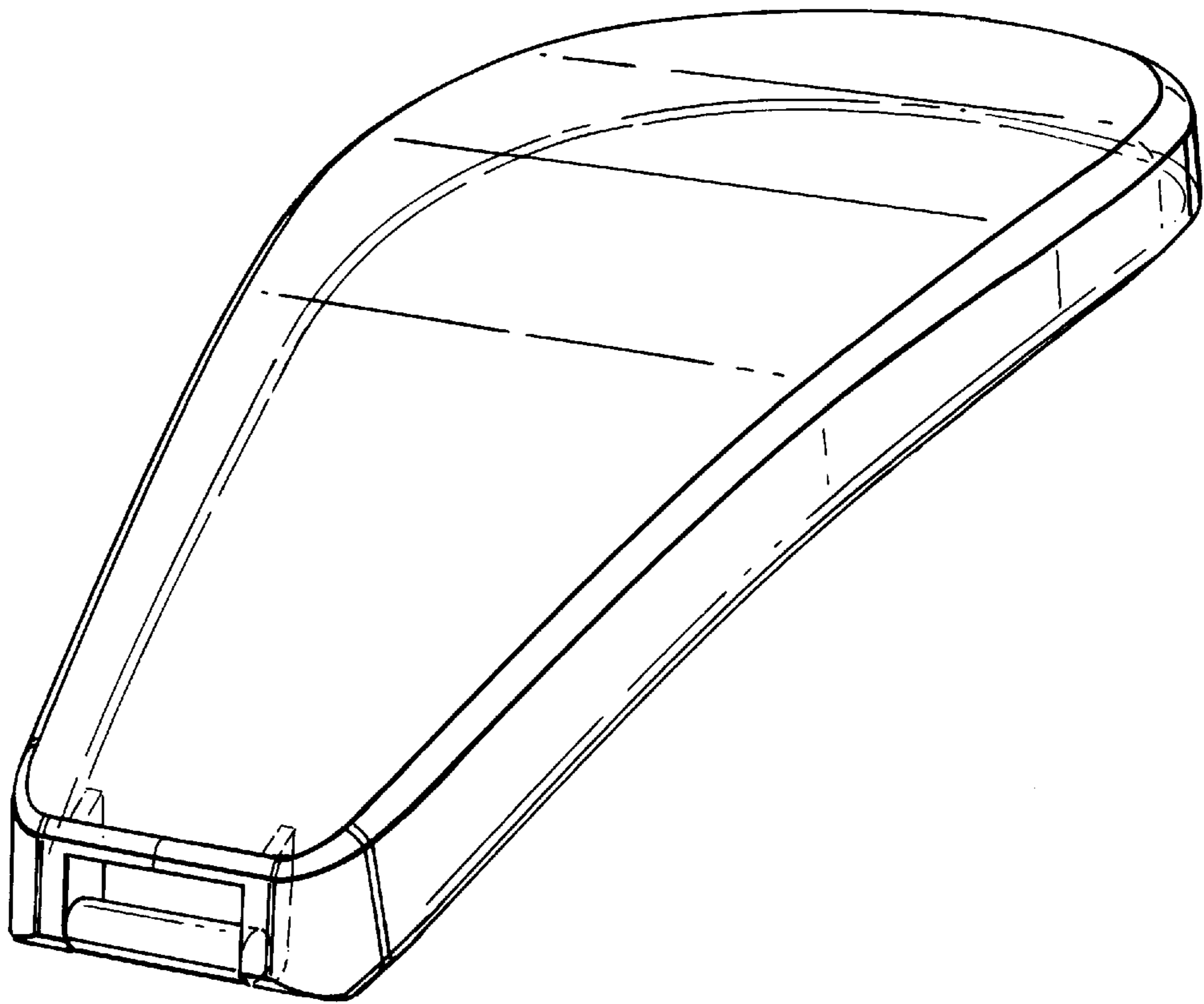


Fig.10.

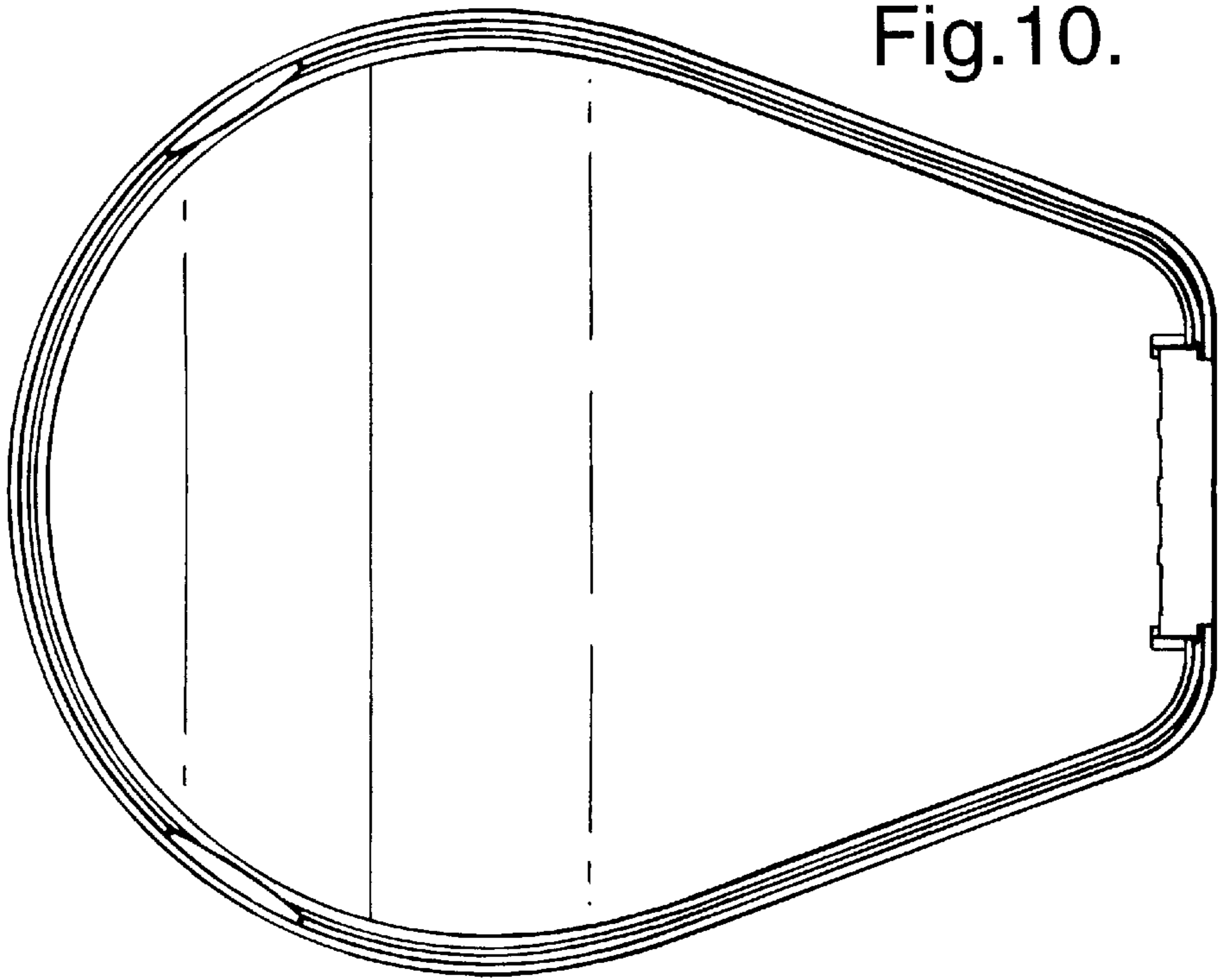


Fig.11.

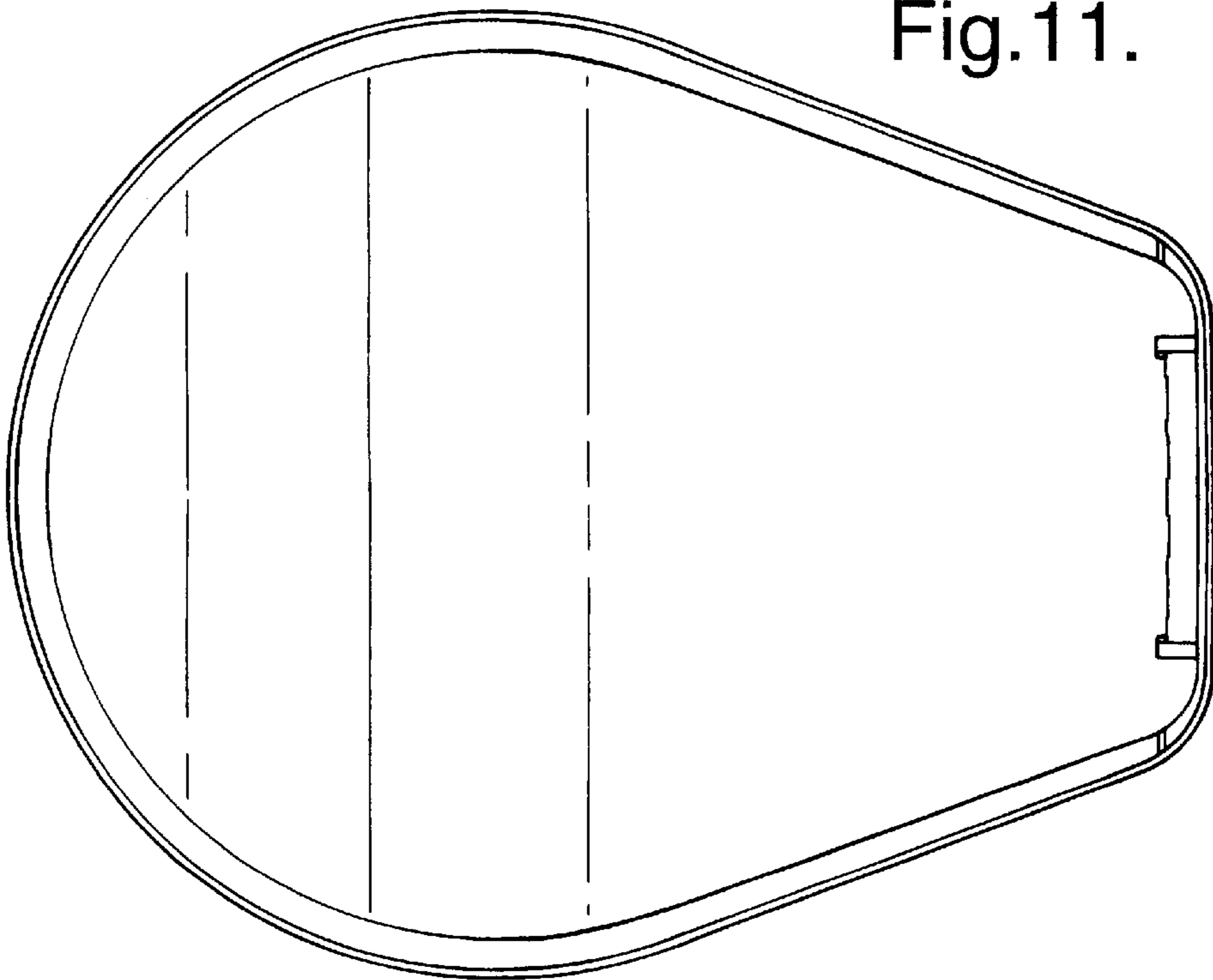


Fig.12.

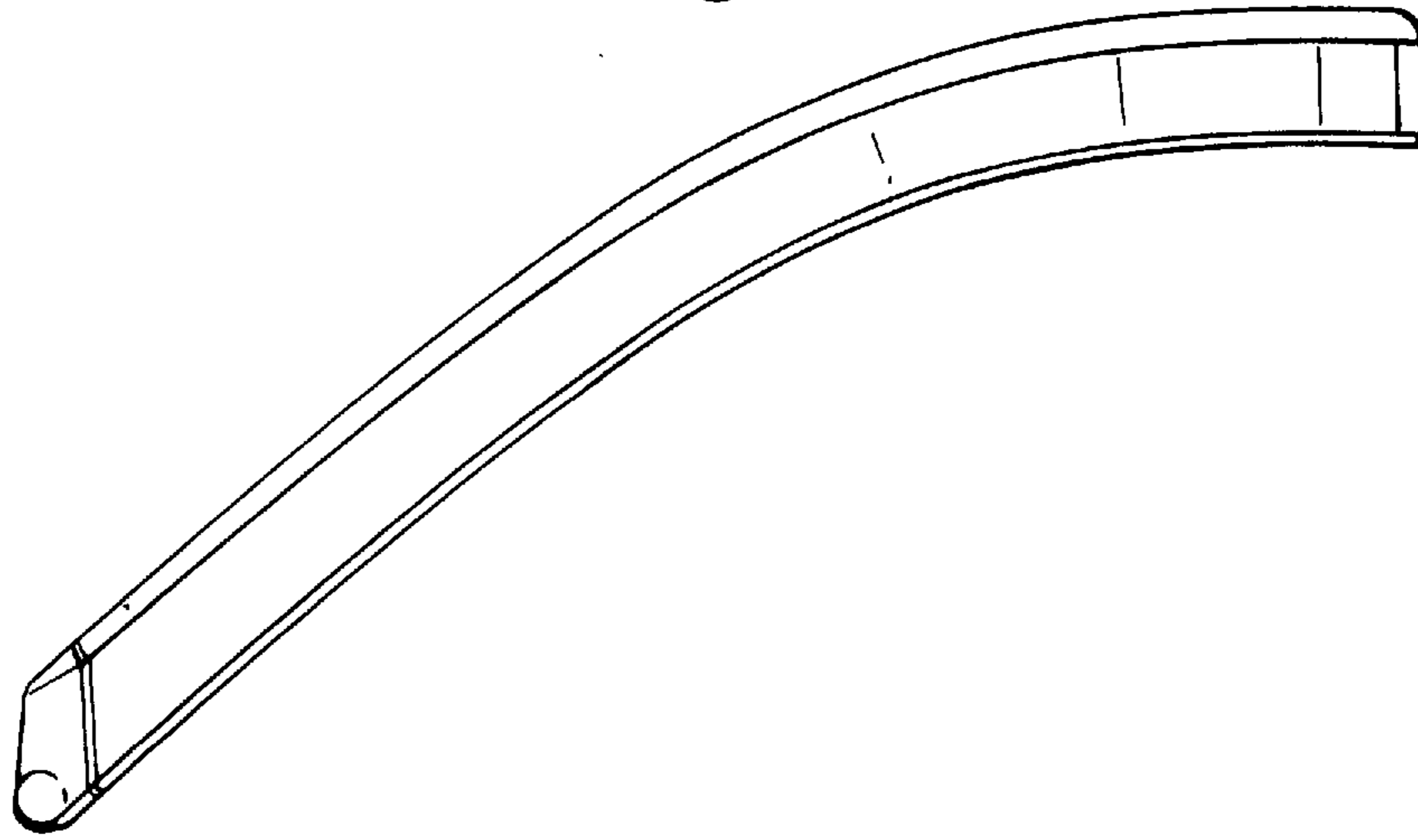


Fig.13.

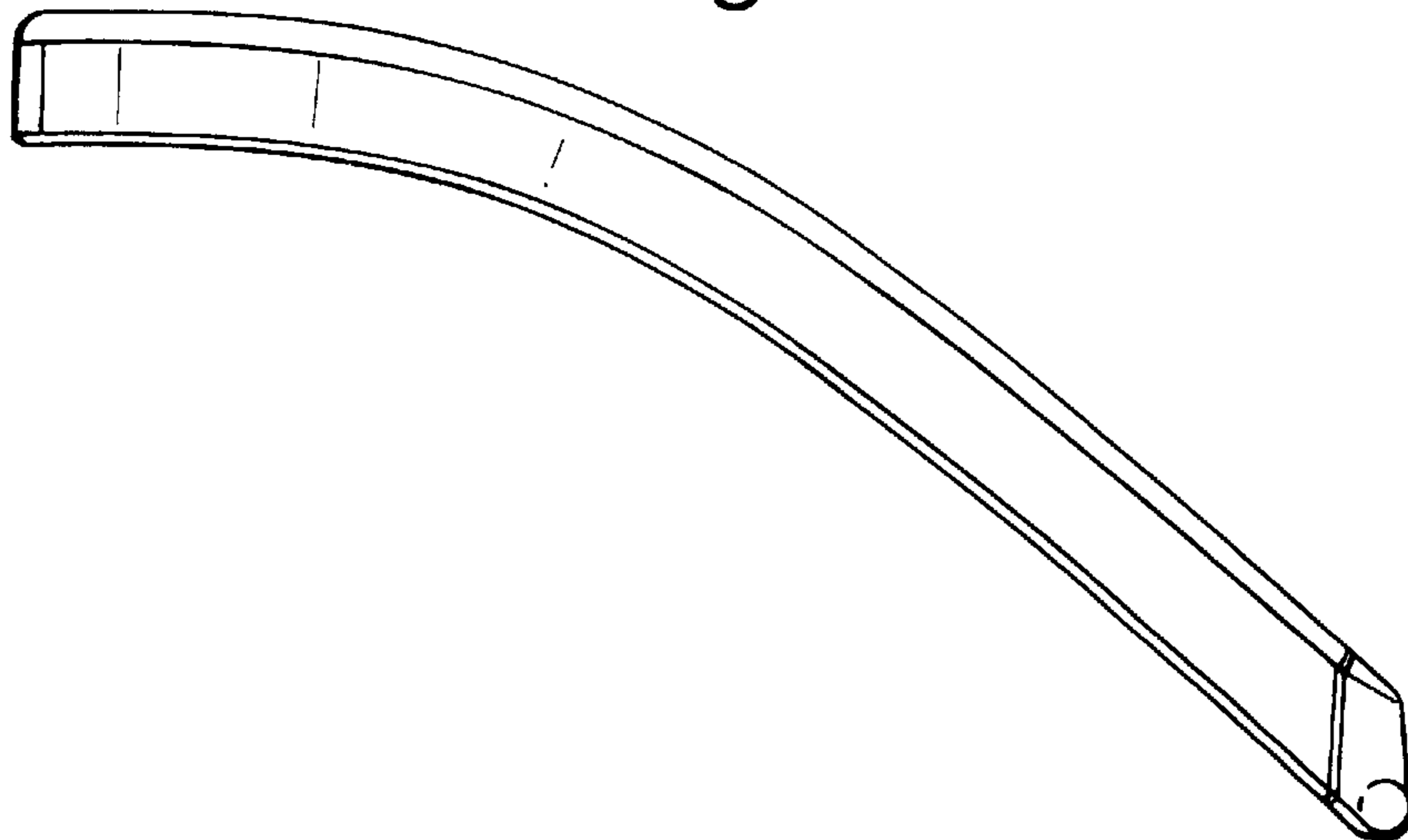


Fig.14.

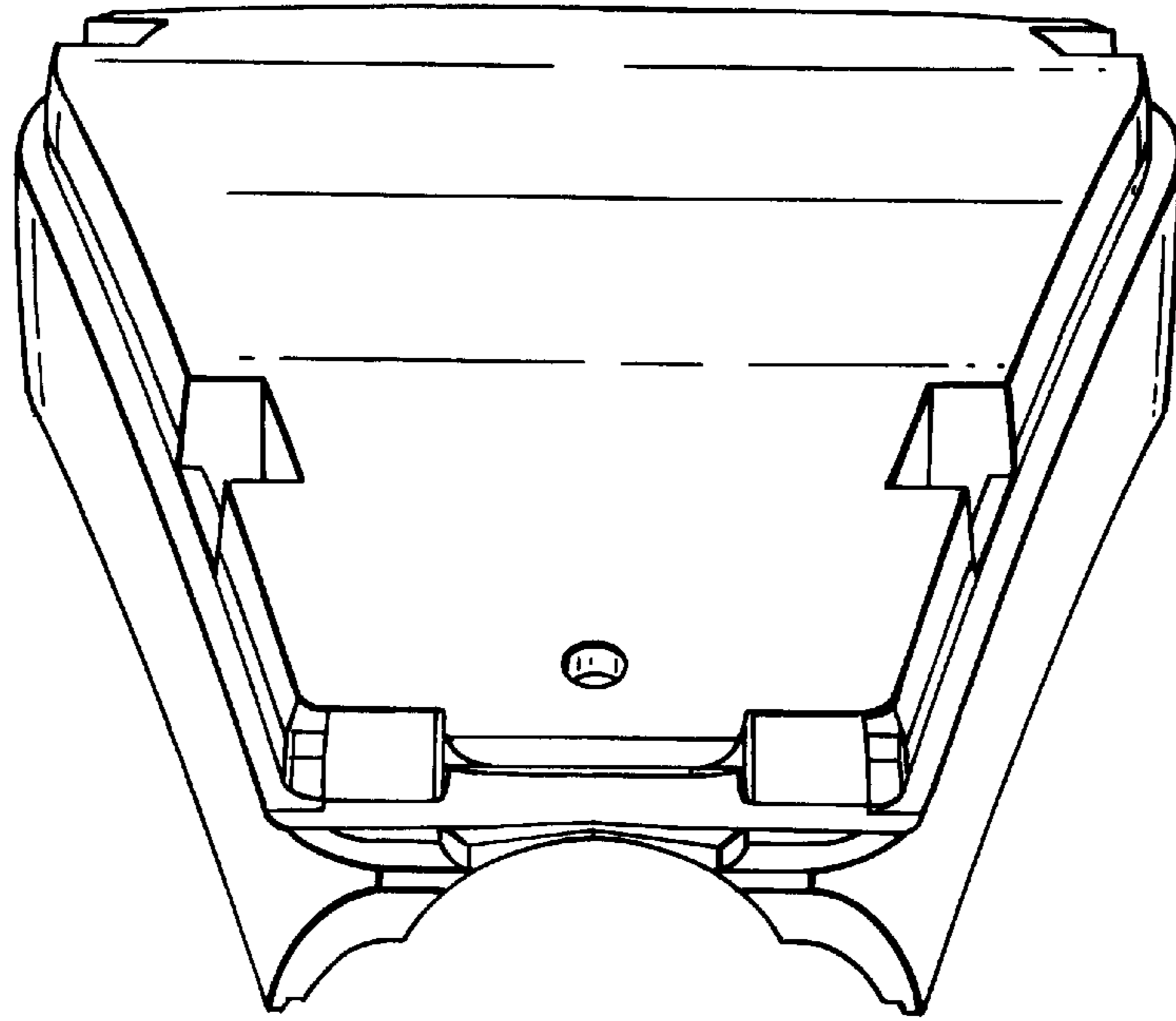


Fig.15.

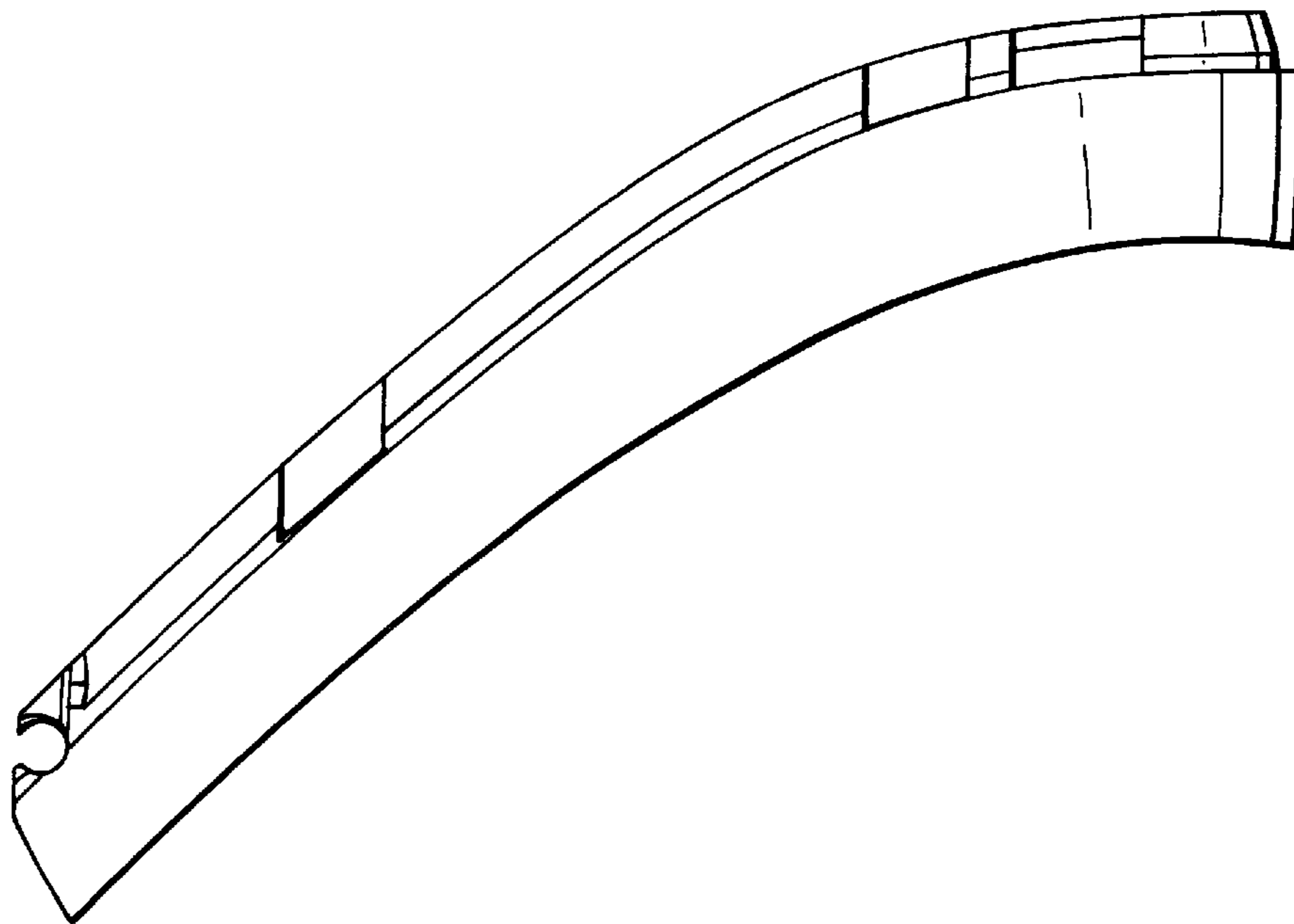


Fig.16.

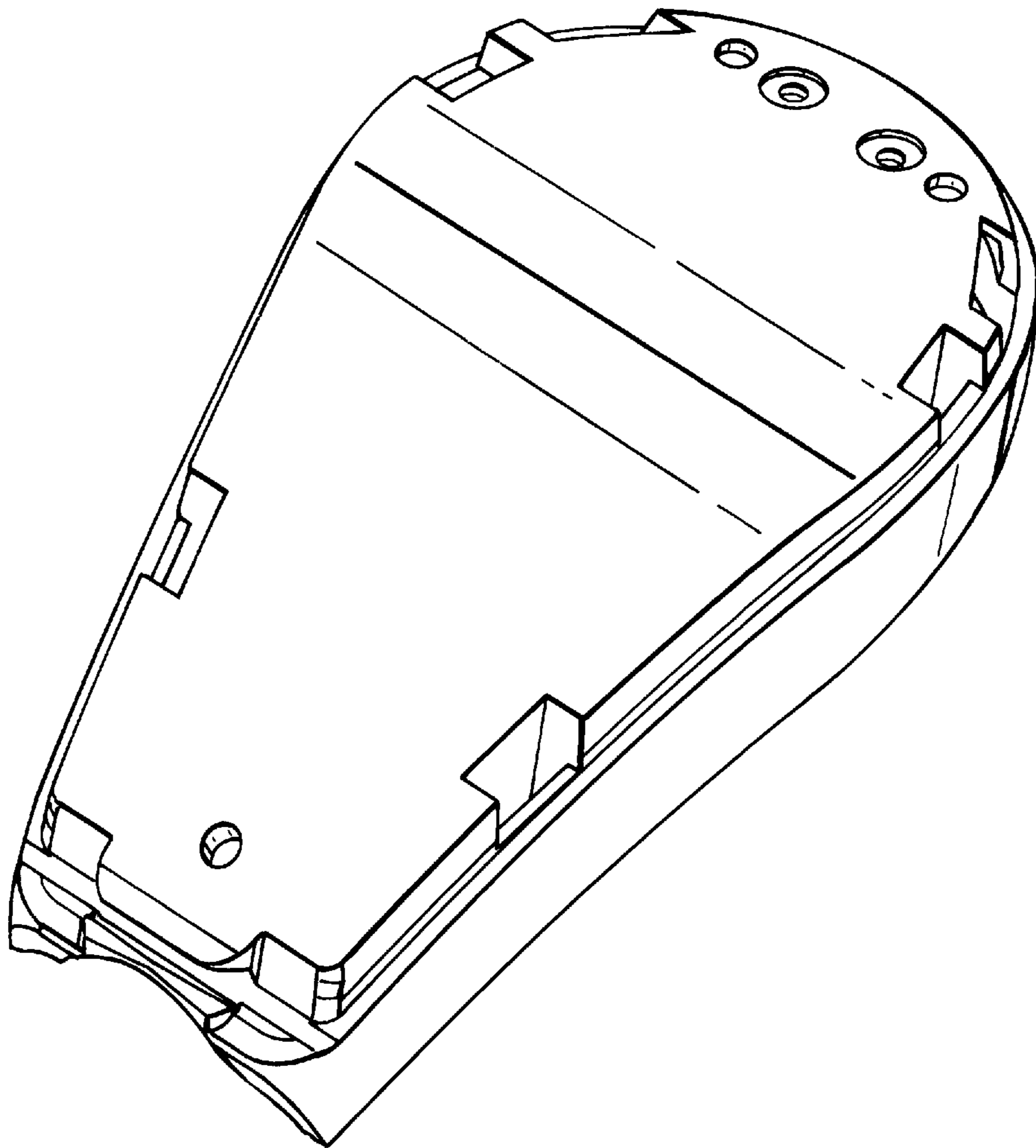


Fig.17.

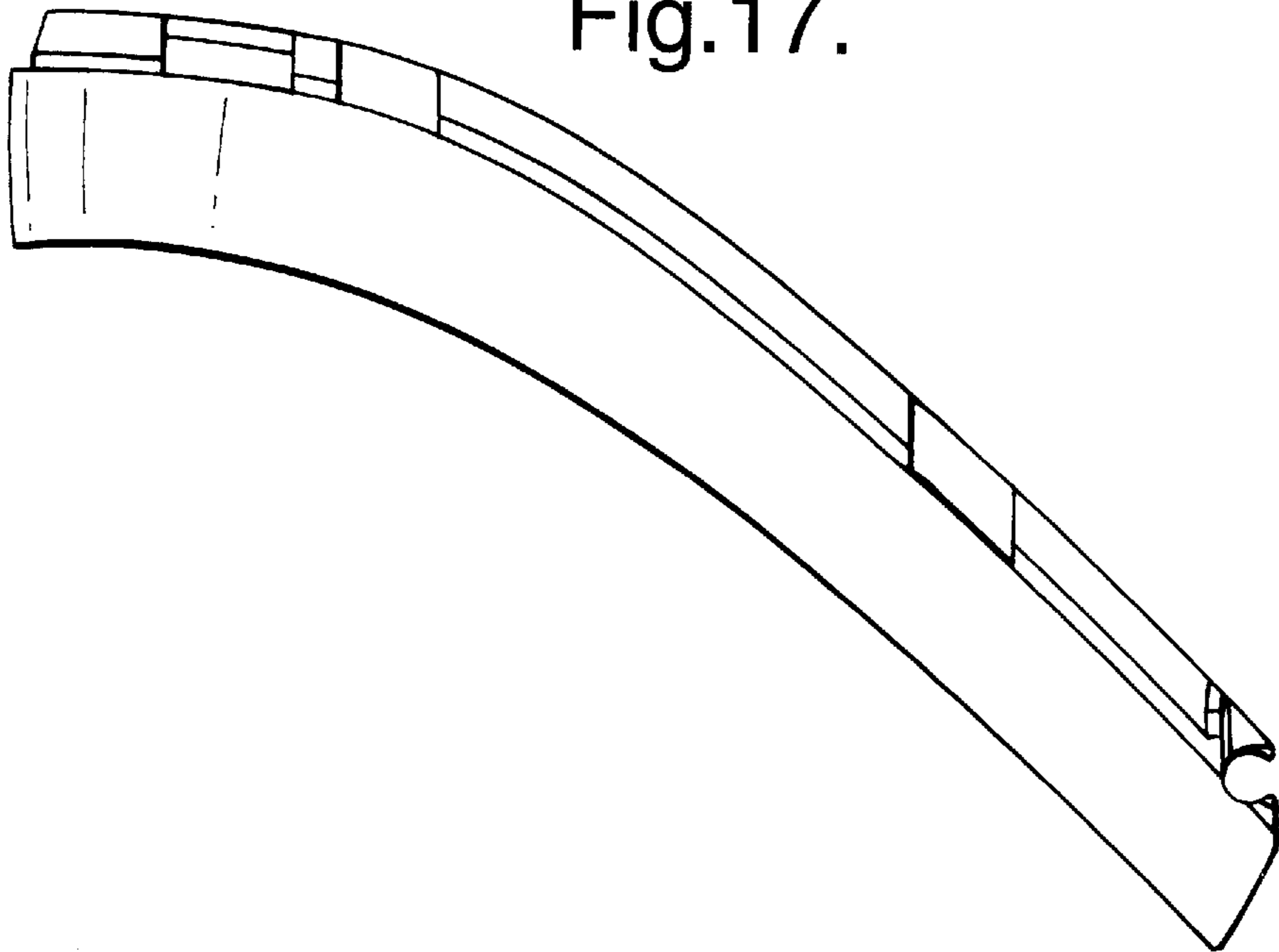


Fig.18.

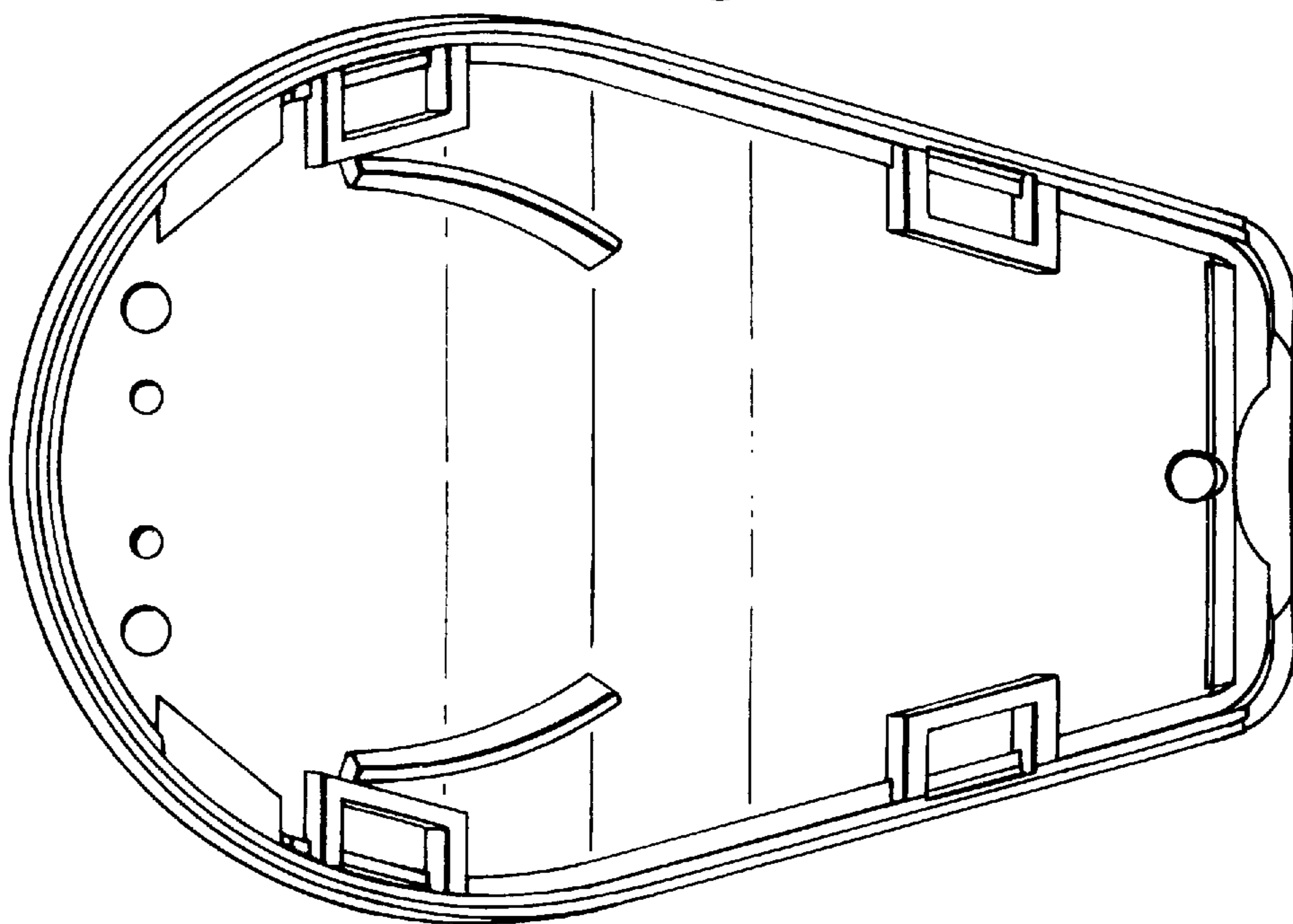


Fig. 19.

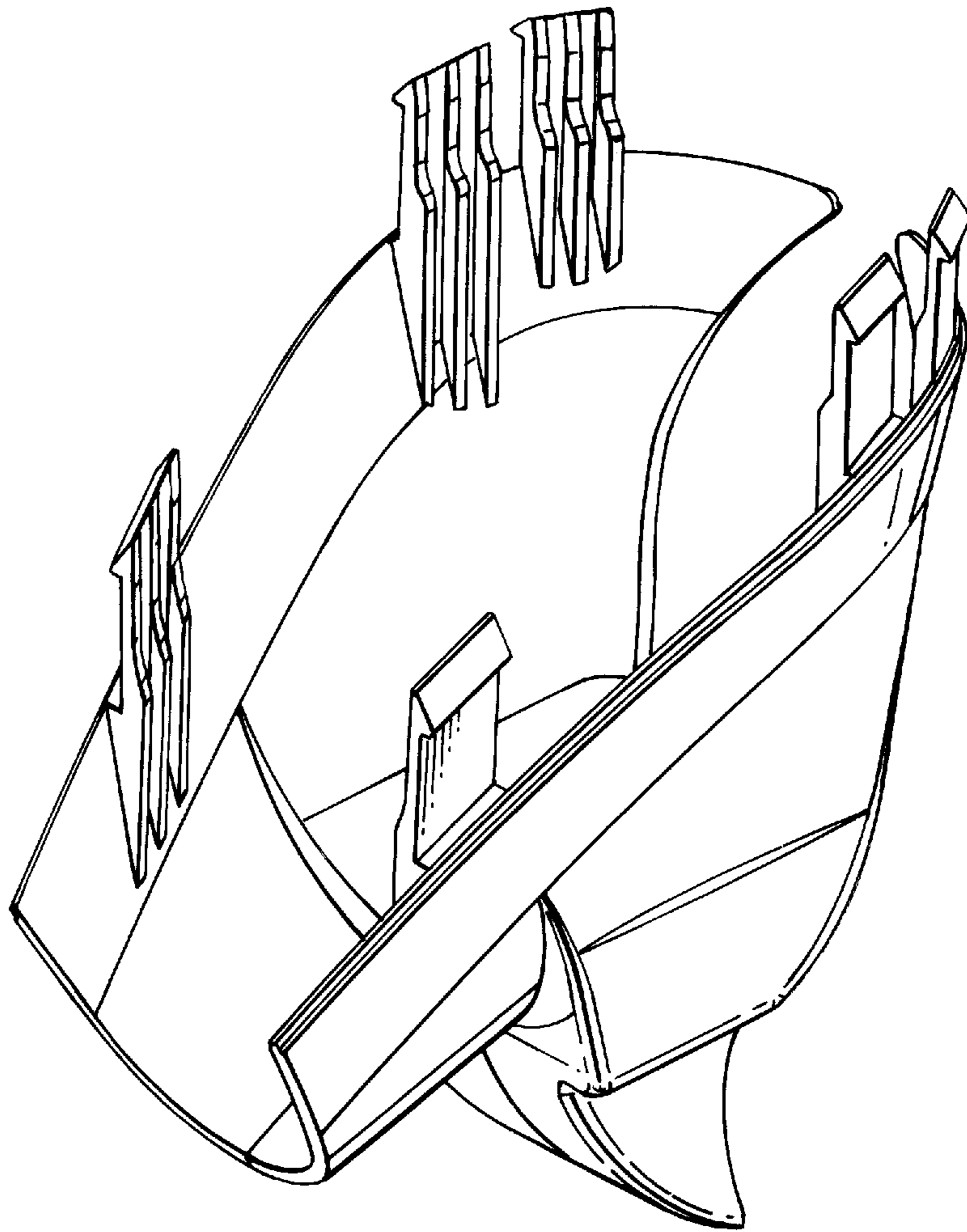


Fig.20.

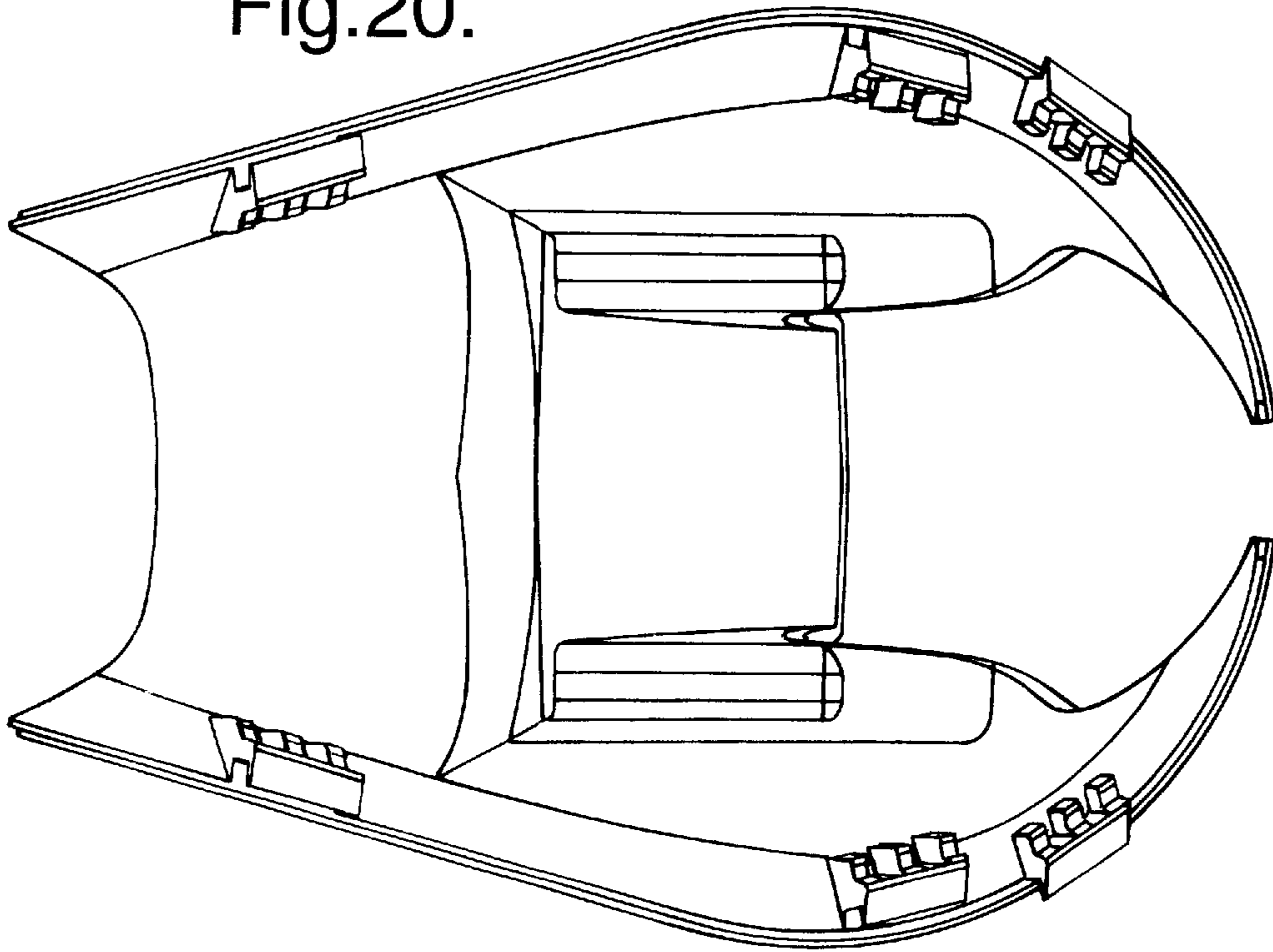


Fig.21.

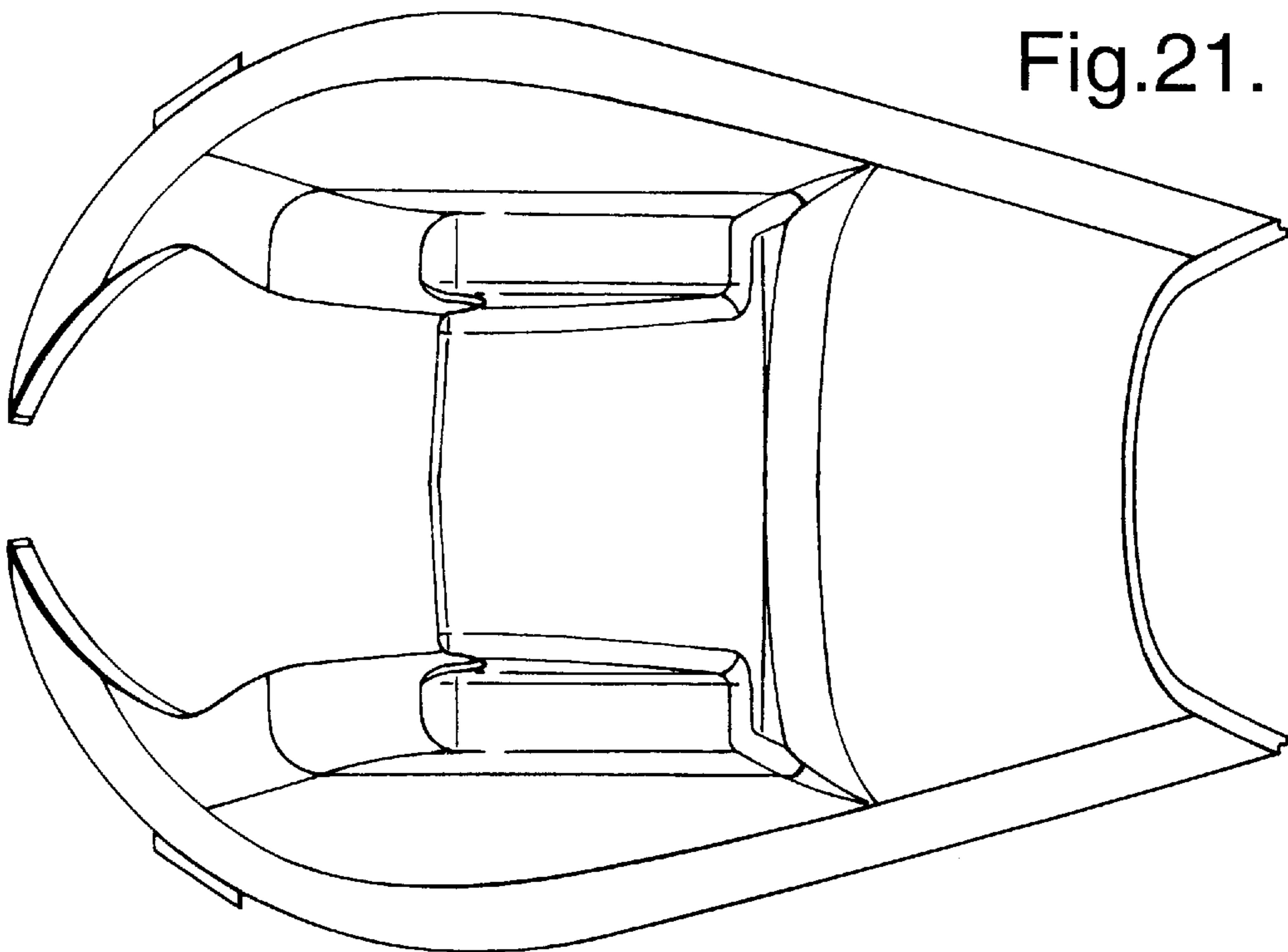


Fig.22.

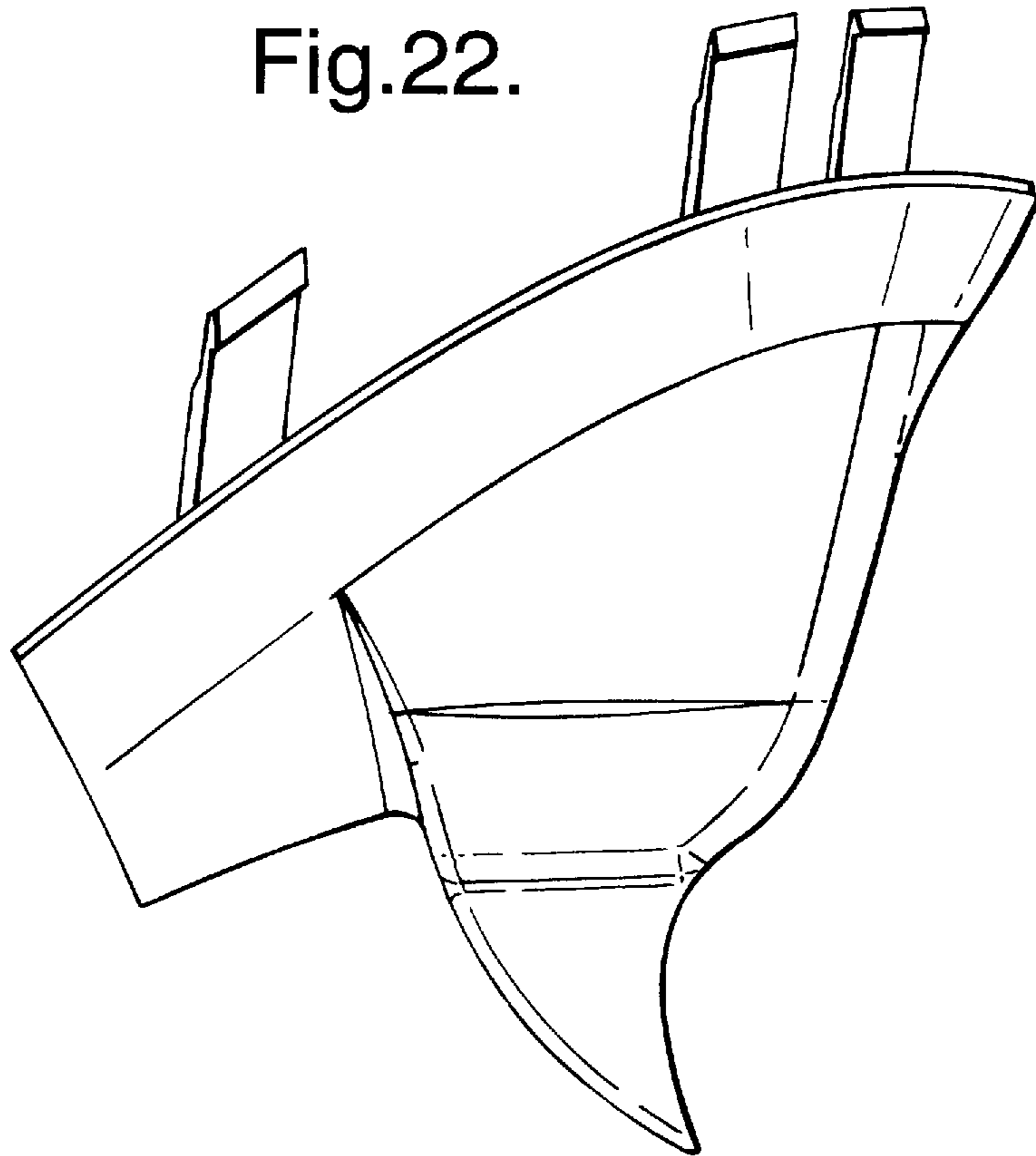


Fig.23.

