

US00D400643S

# United States Patent [19]

Watson, Sr.

[11] **Patent Number:** **Des. 400,643**

[45] **Date of Patent:** **\*\*Nov. 3, 1998**

[54] **LAWN CARE CHEMICAL DISPENSER**

[76] **Inventor:** **James E. Watson, Sr.**, 313 W. Elm St.  
#4, Anaheim, Calif. 92805

[\*\*] **Term:** **14 Years**

[21] **Appl. No.:** **78,643**

[22] **Filed:** **Oct. 31, 1997**

[51] **LOC (6) Cl.** ..... **23-01**

[52] **U.S. Cl.** ..... **D23/208; D23/213**

[58] **Field of Search** ..... **D23/200, 208,**  
**D23/213, 214, 225; 222/310; 239/310,**  
**302, 317, 318; 137/268**

[56] **References Cited**

**U.S. PATENT DOCUMENTS**

D. 288,954	3/1987	McDermott et al.	.....	D23/213
D. 309,653	7/1990	Kendrick	.....	D23/213
D. 326,309	5/1992	Kendrick	.....	D23/213
D. 333,863	3/1993	Kimmons	.....	D23/214
4,995,418	2/1991	Cervola	.....	137/268
5,178,181	1/1993	Craig	.....	137/268

5,259,409	11/1993	Cervola	.....	137/268
5,303,729	4/1994	DeMarco	.....	137/268
5,366,159	11/1994	Childers	.....	239/310

*Primary Examiner*—Alan P. Douglas  
*Assistant Examiner*—Robin V. Taylor  
*Attorney, Agent, or Firm*—Goldstein & Associates

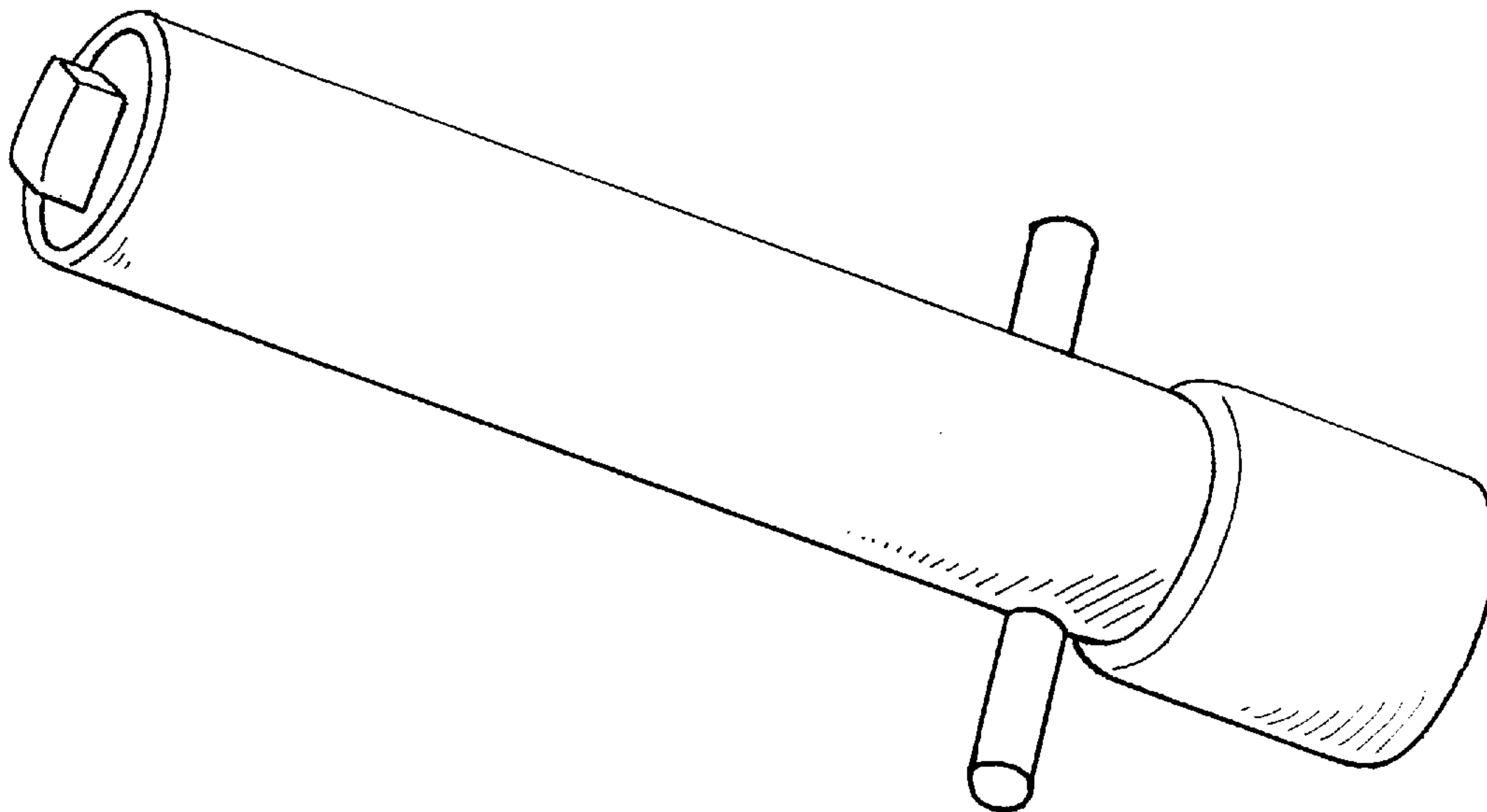
[57] **CLAIM**

The ornamental design for a lawn care chemical dispenser, as shown and described.

**DESCRIPTION**

FIG. 1 is a diagrammatic perspective view of the lawn care chemical dispenser;  
FIG. 2 is a top plan view of the lawn care chemical dispenser;  
FIG. 3 is a bottom plan view thereof;  
FIG. 4 is a right side elevational view thereof, the left side view being a mirror image of the right side view; and,  
FIG. 5 is a front elevational view thereof, the rear elevational view being a mirror image of the front elevational view.

**1 Claim, 3 Drawing Sheets**



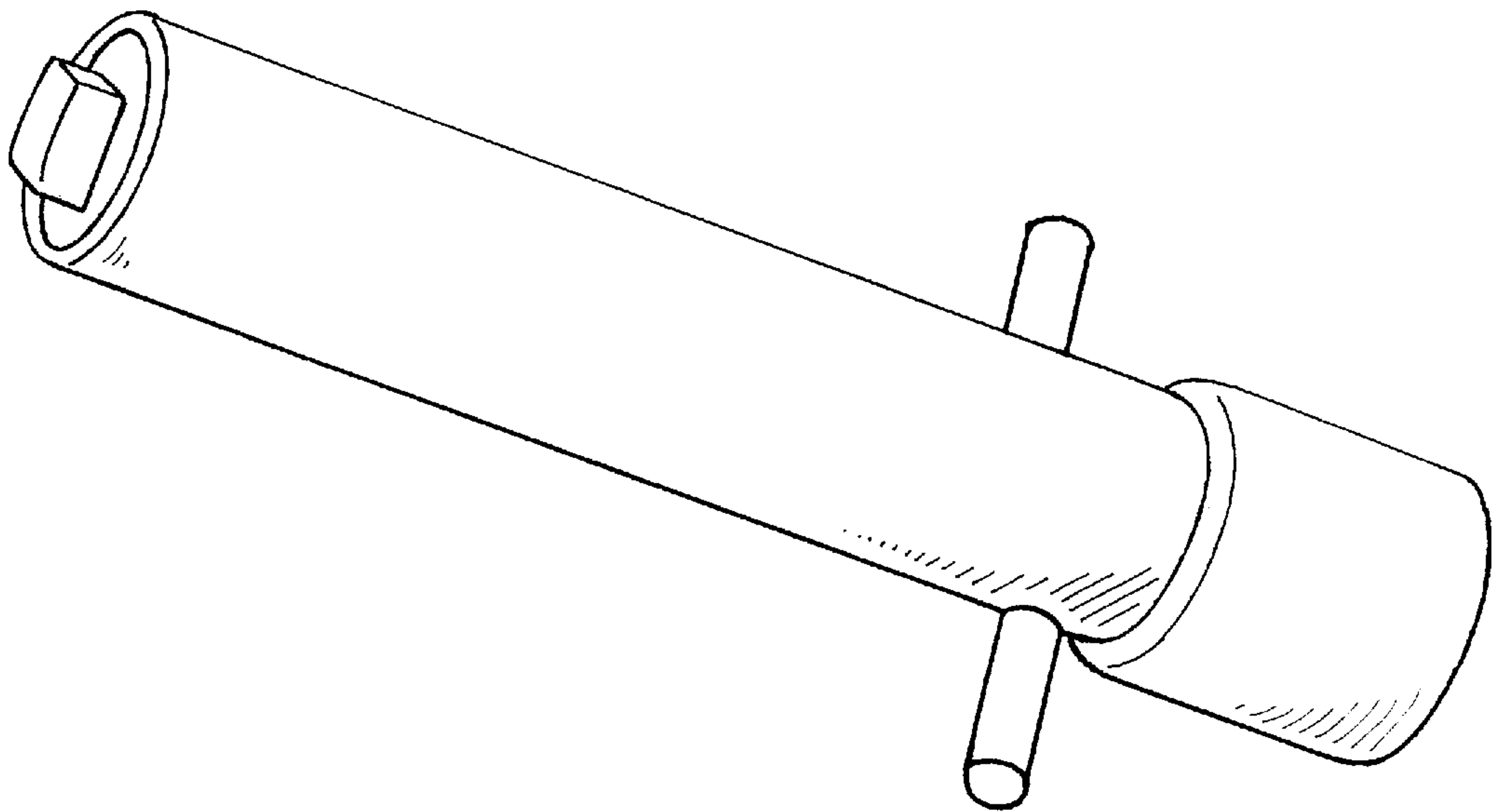


FIG. 1

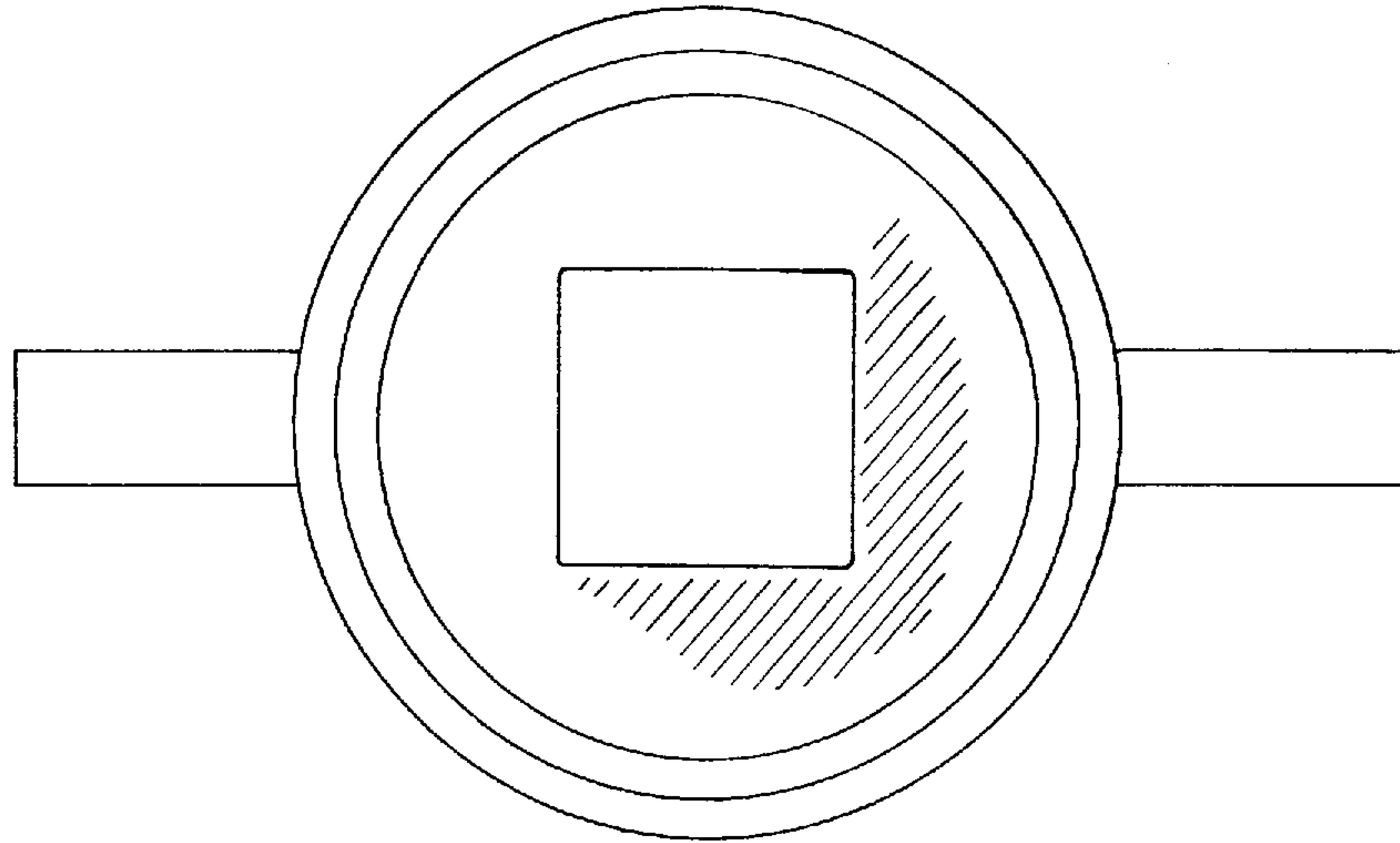


FIG. 2

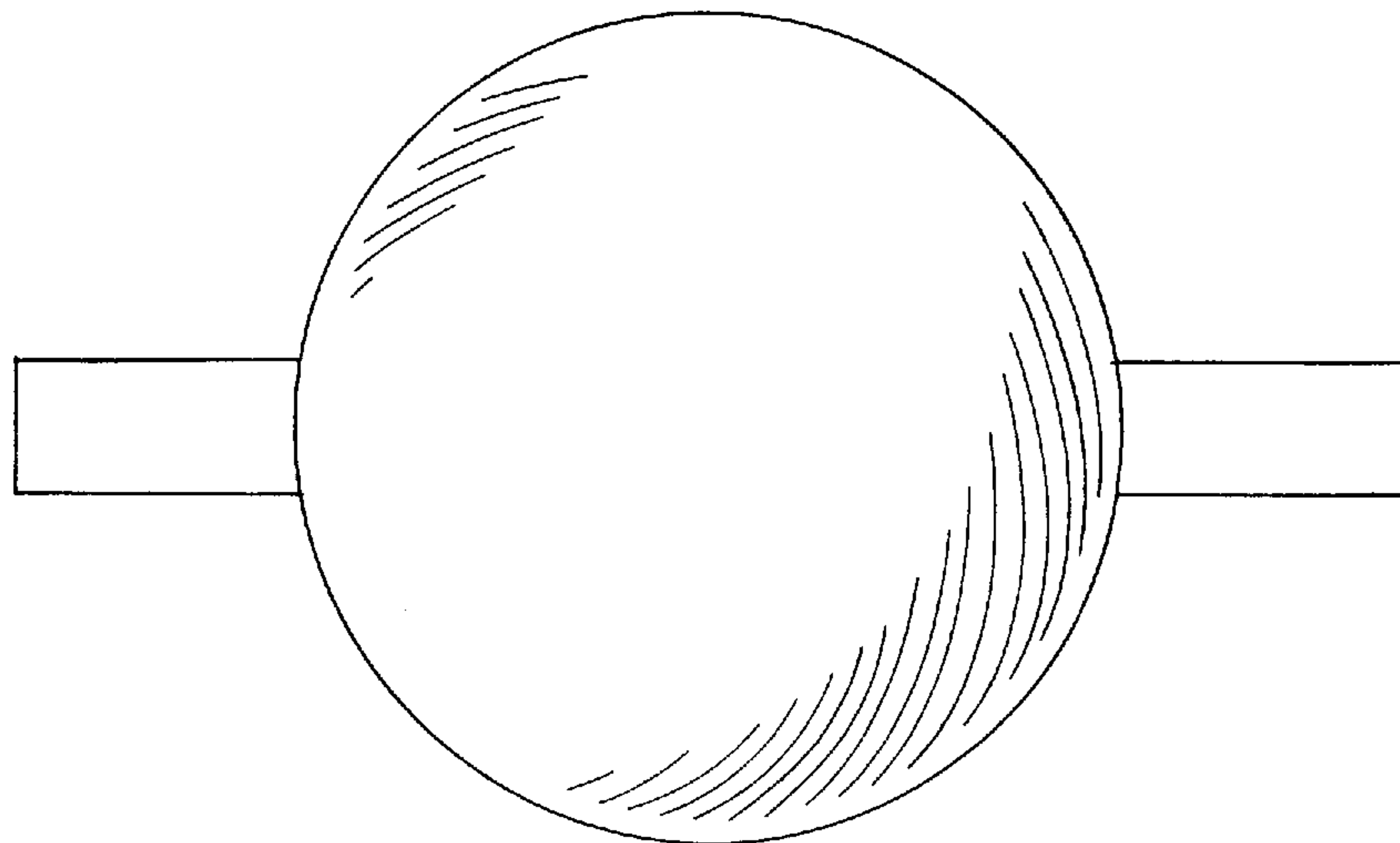


FIG. 3

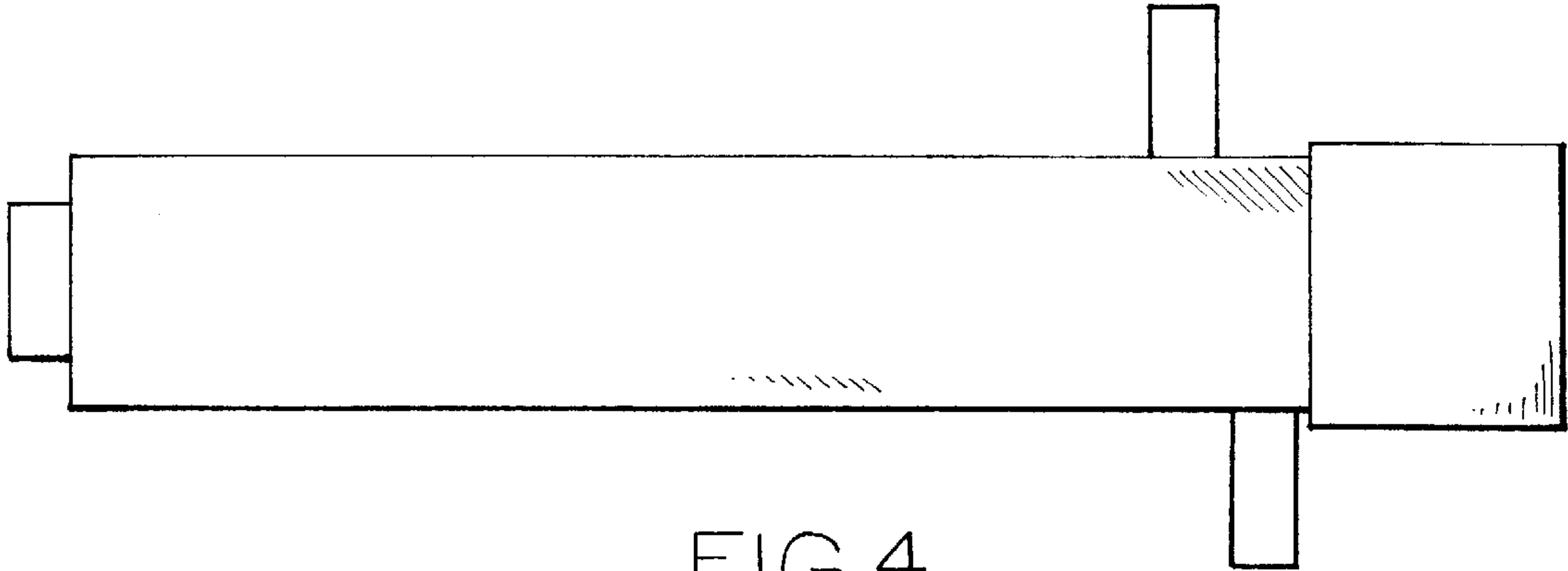


FIG. 4

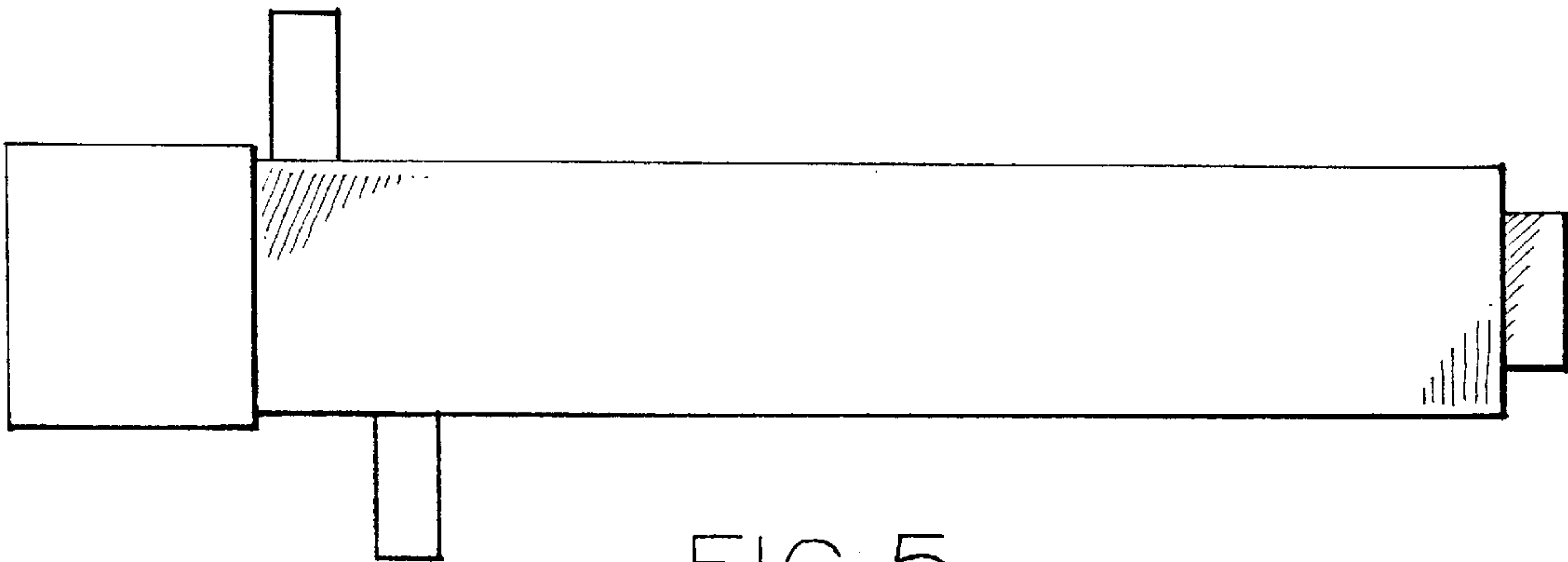


FIG. 5