



US00D400642S

United States Patent [19]

Morice et al.

[11] Patent Number: **Des. 400,642**

[45] Date of Patent: ****Nov. 3, 1998**

[54] **TOILET TANK DISPENSER**

[75] Inventors: **Larry F. Morice**, San Ramon; **Lucinda A. Vejar**, Danville; **James E. Rader**, Pleasanton, all of Calif.; **Michael B. Tybergein**, Roswell; **John K. Hobbs**, McDonough, both of Ga.

[73] Assignee: **The Clorox Company**, Oakland, Calif.

[**] Term: **14 Years**

[21] Appl. No.: **71,322**

[22] Filed: **May 27, 1997**

[51] **LOC (6) Cl.** **23-01**

[52] **U.S. Cl.** **D23/208**

[58] **Field of Search** D23/200, 208, D23/368, 369; 4/231, 232, 228.1, 222, 223, 227.1

4,485,500	12/1984	Melville, Jr.	4/228
4,507,811	4/1985	Buelow et al.	4/225
4,513,459	4/1985	Doughty	4/222
4,558,471	12/1985	Brown et al.	4/228
4,581,777	4/1986	Newgard et al.	4/228
4,632,350	12/1986	Brown	248/295.1
4,707,865	11/1987	Ludwig et al.	4/228
4,707,866	11/1987	von Philipp et al.	4/228
4,709,423	12/1987	Richards	4/228
4,729,880	3/1988	Dirksing et al.	422/264
4,745,638	5/1988	Richards	4/228
4,764,992	8/1988	Delia	4/228
4,823,410	4/1989	Peckston	4/228
4,937,893	7/1990	Iding et al.	4/228

Primary Examiner—Alan P. Douglas
Assistant Examiner—Robin V. Taylor
Attorney, Agent, or Firm—Michael J. Mazza

[57] CLAIM

The ornamental design for a toilet tank dispenser, as shown and described.

[56] References Cited

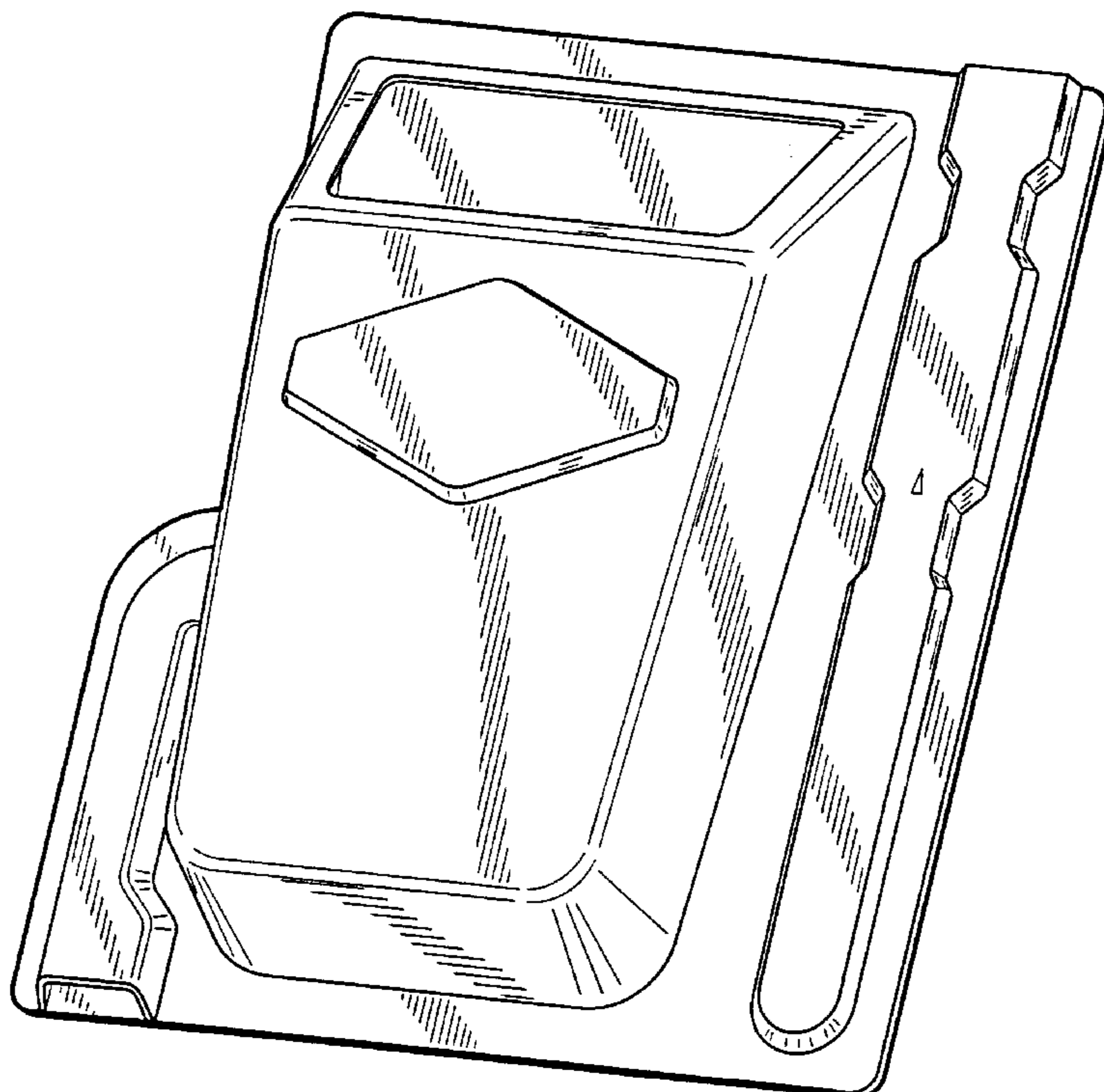
U.S. PATENT DOCUMENTS

D. 276,646	12/1984	Ronayne	D23/69
D. 280,387	9/1985	Morgan	D9/415
D. 283,726	5/1986	Jones et al.	D23/3
D. 284,693	7/1986	Ronayne	D23/150
D. 292,605	11/1987	Shaer et al.	D23/208
D. 293,263	12/1987	Ronayne	D23/208
D. 345,195	3/1994	Kelly	D23/208
D. 370,710	6/1996	Wefler	D23/208
D. 392,021	3/1998	Bodker et al.	D23/208
D. 392,022	3/1998	Bodker et al.	D23/208
4,453,278	6/1984	Doggett et al.	4/228
4,459,710	7/1984	Keyes et al.	4/228

DESCRIPTION

FIG. 1 is a perspective view of a toilet tank dispenser embodying our new design;
FIG. 2 is a front elevational view of the dispenser of FIG. 1;
FIG. 3 is a side elevational view of one side of the dispenser of FIG. 1;
FIG. 4 is a side elevational view of the opposite side of the dispenser of FIG. 3;
FIG. 5 is a back elevational view of the dispenser of FIG. 1;
FIG. 6 is a top plan view of the dispenser of FIG. 1; and,
FIG. 7 is a bottom plan view of the dispenser of FIG. 1.

1 Claim, 3 Drawing Sheets



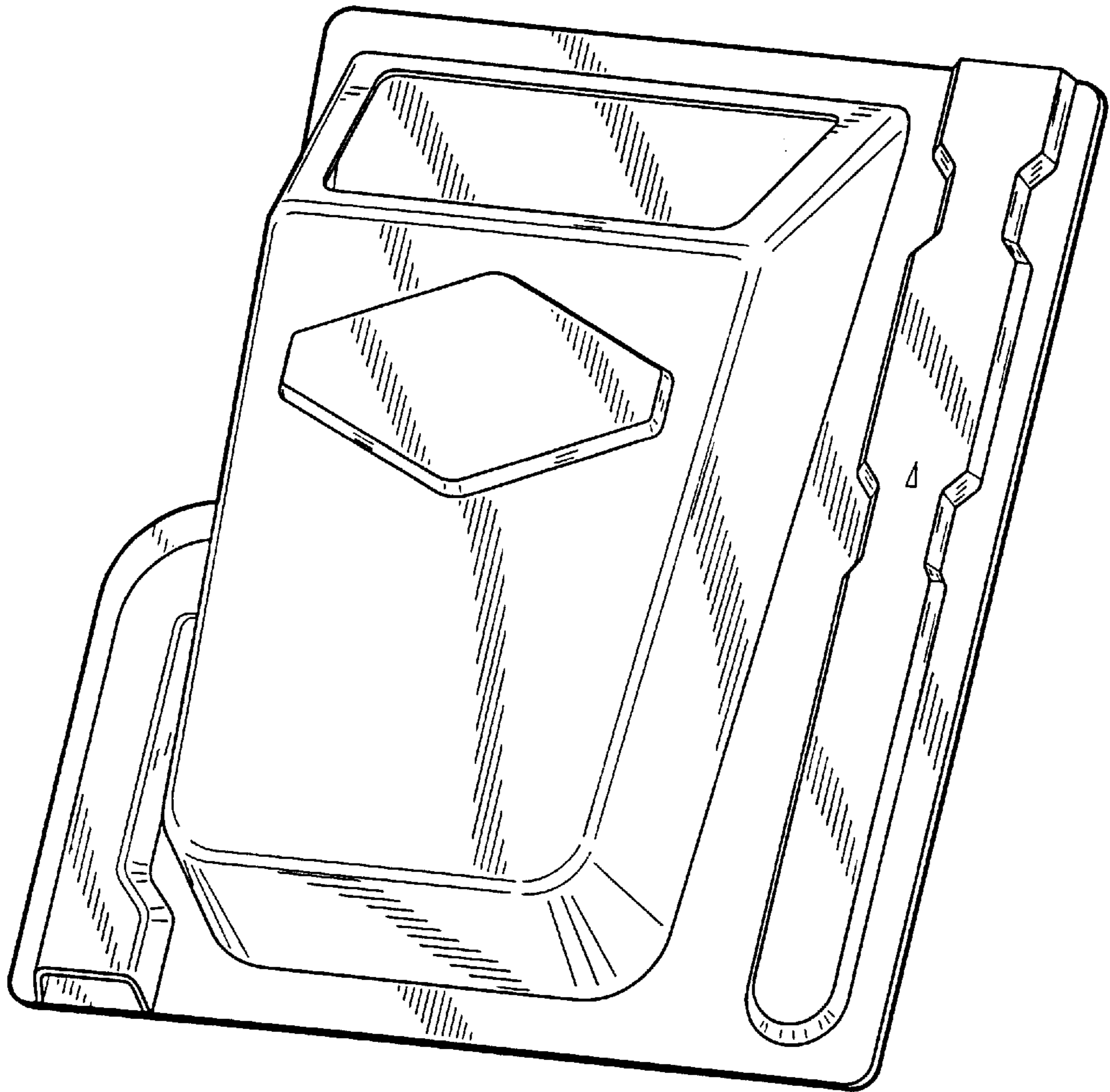


FIG. 1

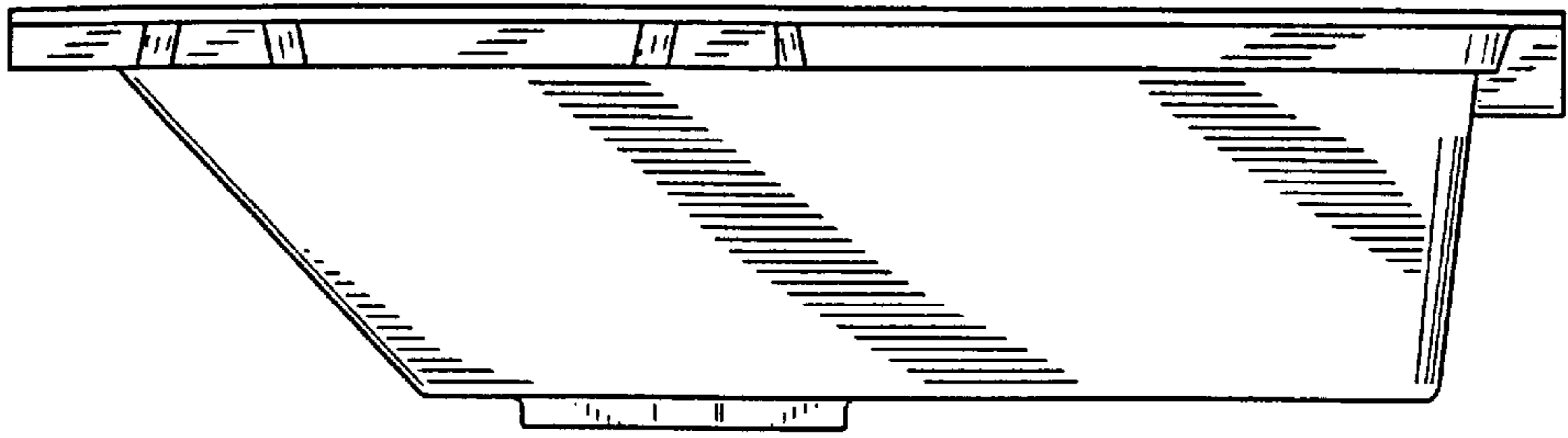


FIG.-3

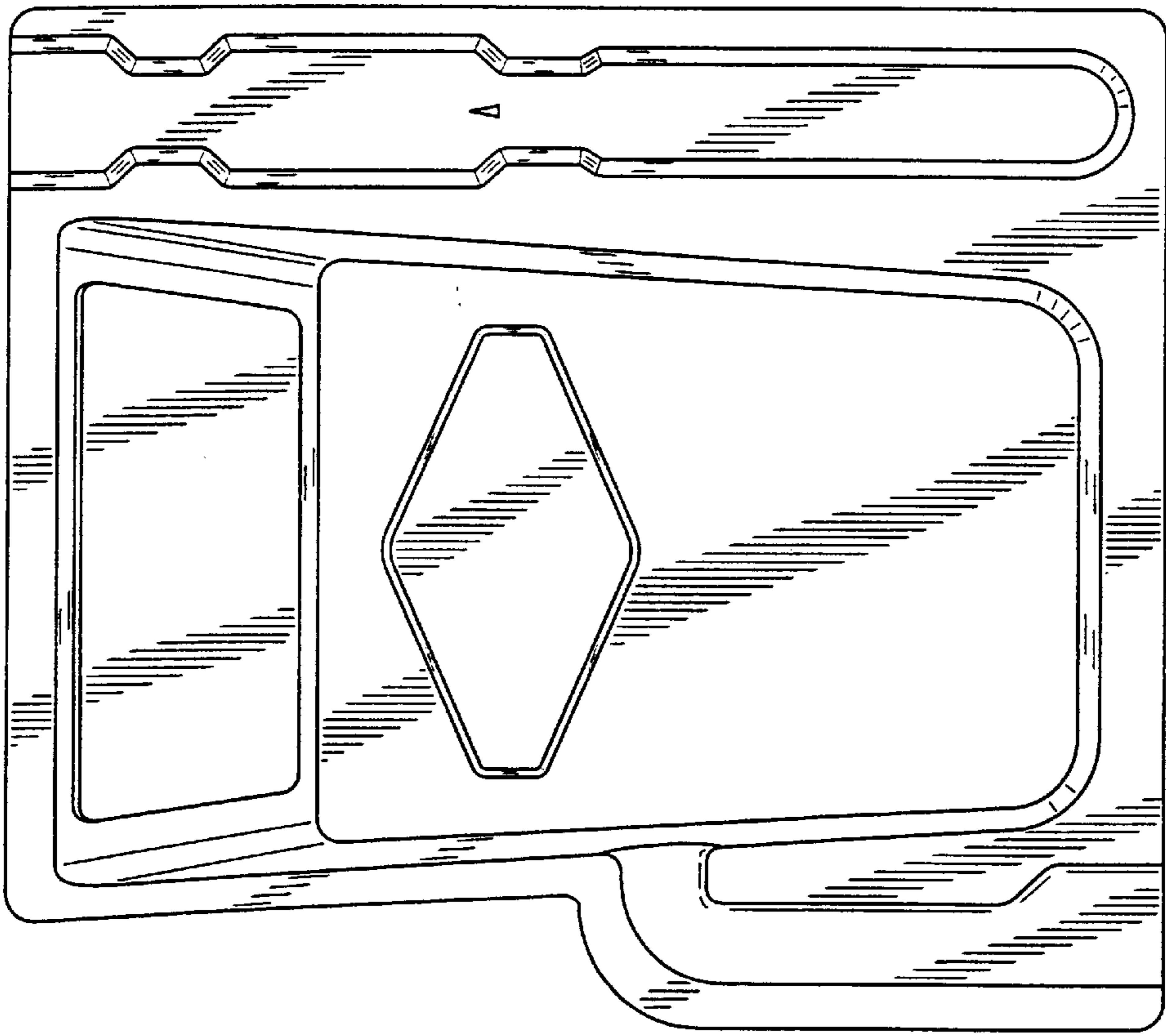


FIG.-2

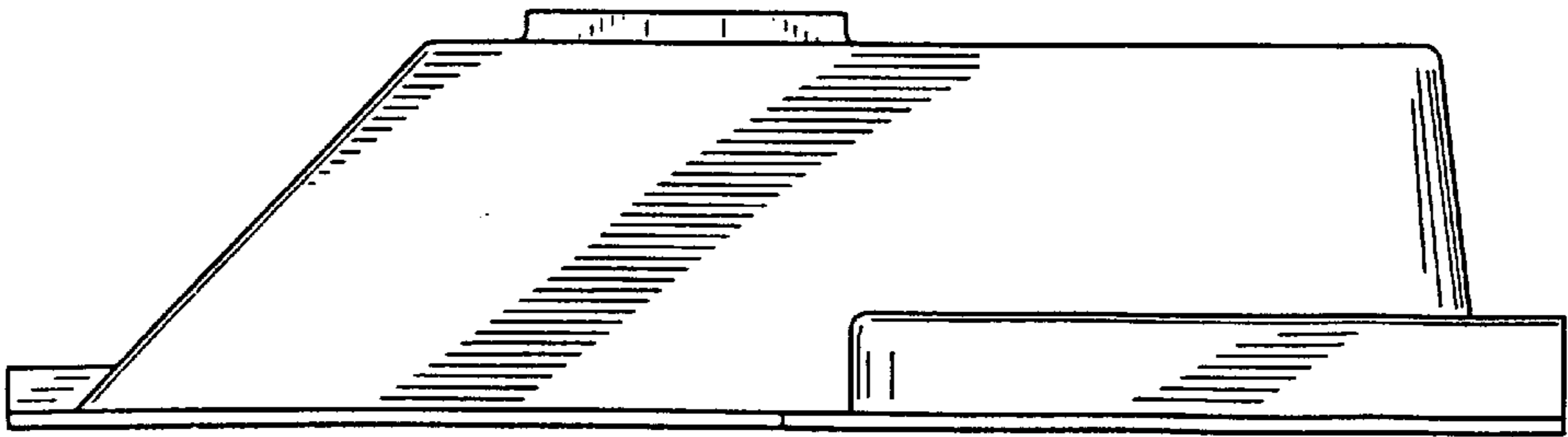


FIG.-4

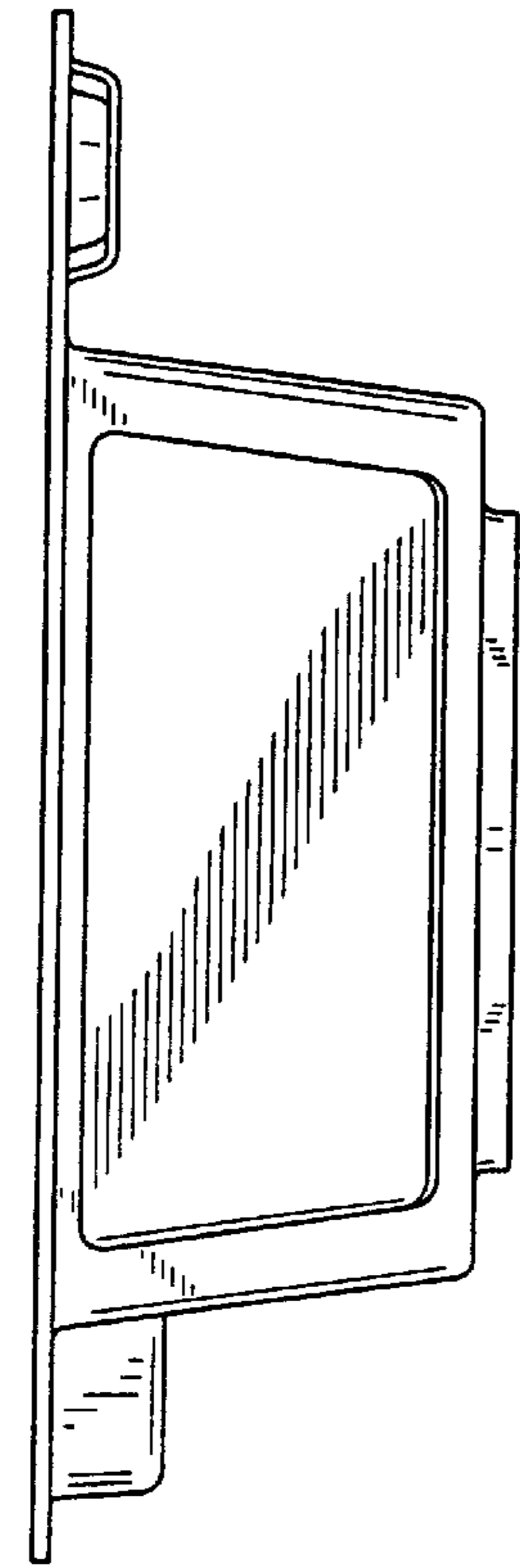


FIG. 6

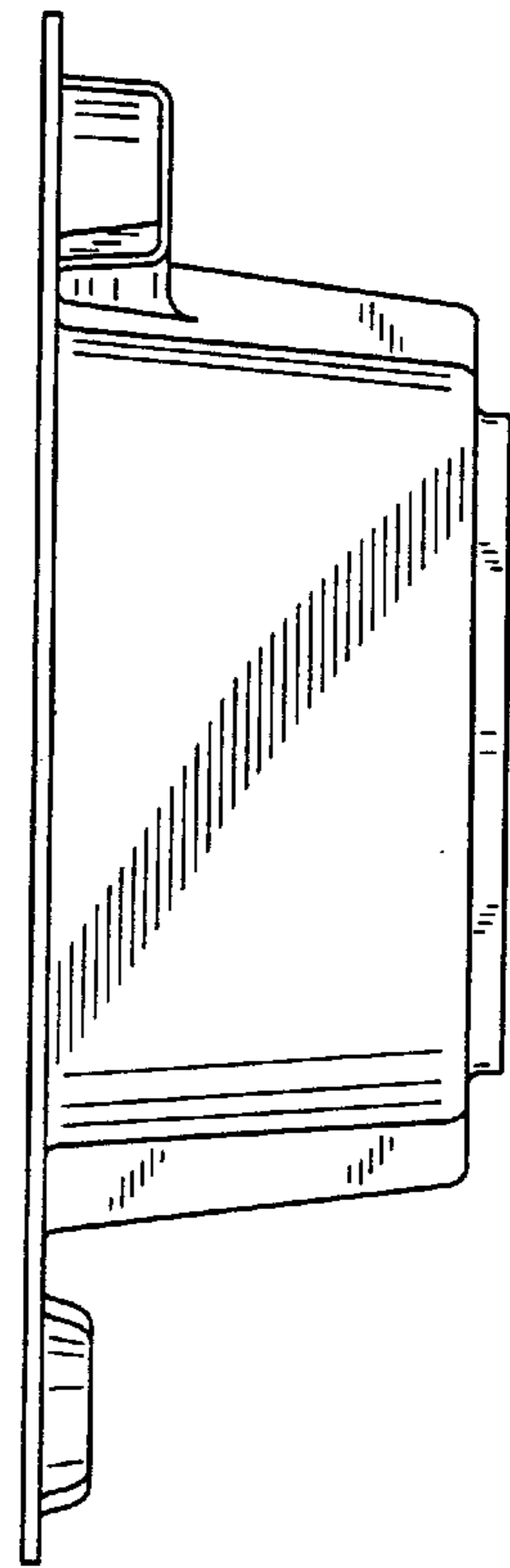


FIG. 7

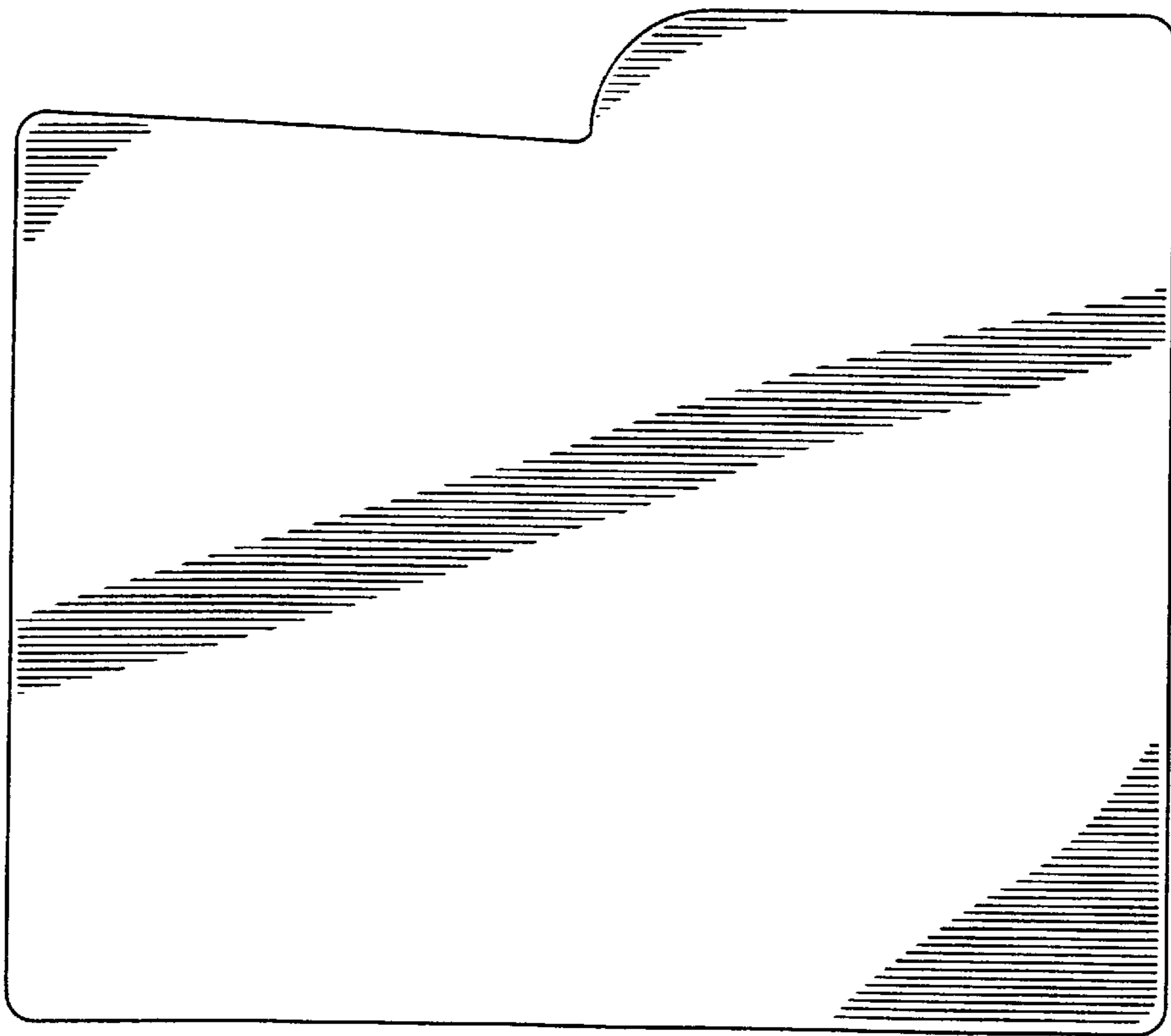


FIG. 5