



US00D400641S

# United States Patent [19]

[11] **Patent Number: Des. 400,641**

**Ballu**

[45] **Date of Patent: \*\*Nov. 3, 1998**

[54] **PORTABLE TANK FOR AN ELECTRIC SPRAYER**

*Primary Examiner*—Alan P. Douglas  
*Assistant Examiner*—Robin V. Taylor  
*Attorney, Agent, or Firm*—Watson Cole Grindle Watson, P.L.L.C.

[75] Inventor: **Patrick J. M. Ballu**, Reims, France

[73] Assignee: **Exel Industries**, Epernay, France

[57] **CLAIM**

[\*\*] Term: **14 Years**

The ornamental design for a portable tank for an electric sprayer, as shown and described.

[21] Appl. No.: **82,220**

**DESCRIPTION**

[22] Filed: **Jan. 16, 1998**

FIG. 1 is a perspective view of a portable tank for an electric sprayer in accordance with a first embodiment of my design, the carrying handle being shown in an upright position; FIG. 2 is a side elevation thereof, but with the carrying handle shown in a down position; FIG. 3 is a front elevation thereof; FIG. 4 is a top plan view thereof; FIG. 5 is a rear elevation thereof; FIG. 6 is a bottom plan view thereof; FIG. 7 is a front elevation of a portable tank for an electric sprayer according to a second embodiment of my design; FIG. 8 is a side elevation thereof; and, FIG. 9 is a rear elevation thereof, the top plan and bottom plan views of the second embodiment being identical to those of the first embodiment.

[30] **Foreign Application Priority Data**

Nov. 5, 1997 [FR] France ..... 976456

[51] **LOC (6) Cl.** ..... **23-01**

[52] **U.S. Cl.** ..... **D23/202**

[58] **Field of Search** ..... D23/202, 204,  
D23/205, 206, 225; 220/581, 582, 587,  
565, 4.12; 222/401

[56] **References Cited**

**U.S. PATENT DOCUMENTS**

D. 236,830	9/1975	Bochmans et al.	.....	D23/225
D. 288,586	3/1987	Moskalik	.....	D23/225
D. 294,061	2/1988	Yokoyama et al.	.....	D23/225
4,192,464	3/1980	Chow	.....	239/373

**1 Claim, 3 Drawing Sheets**

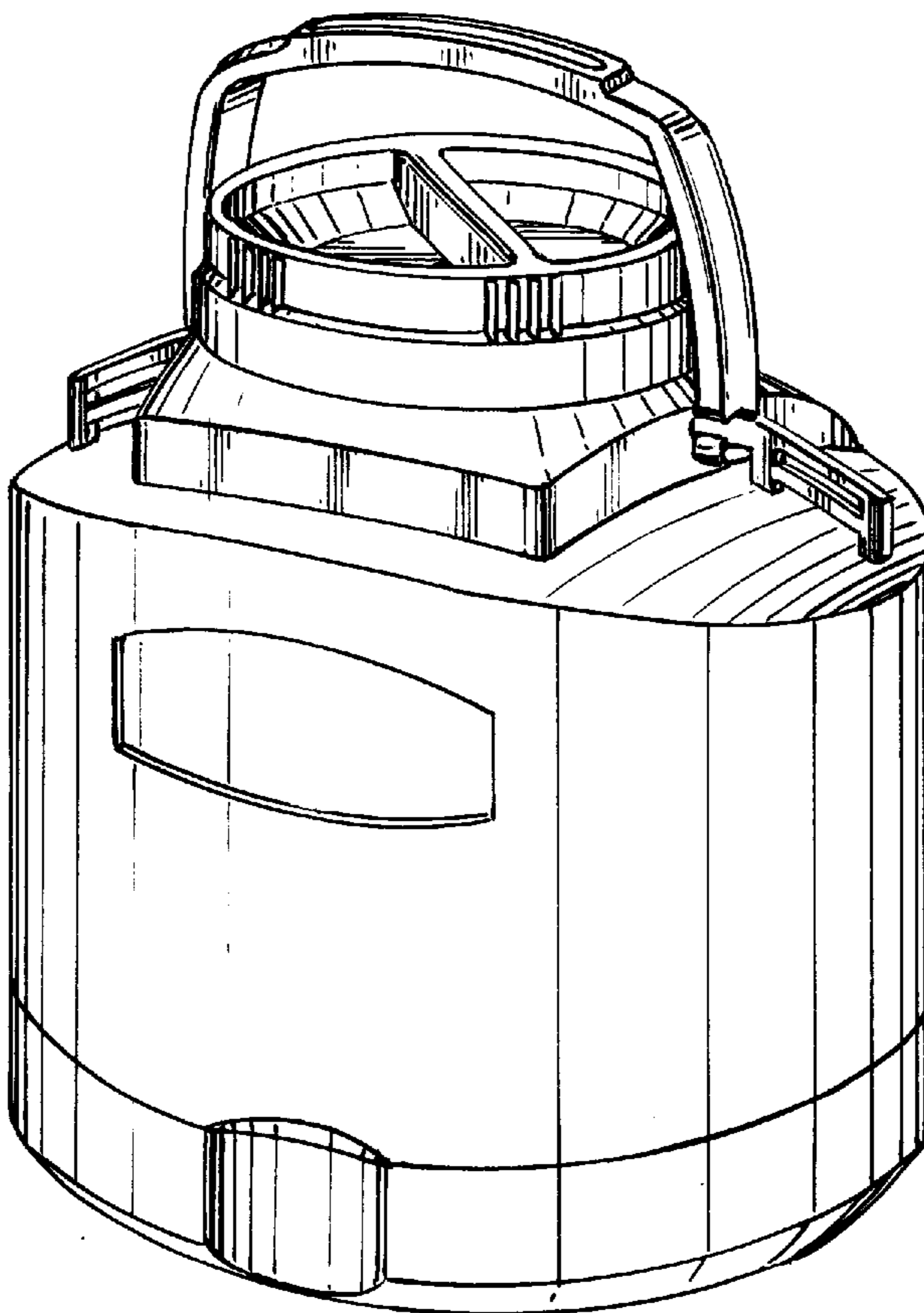


FIG. 1

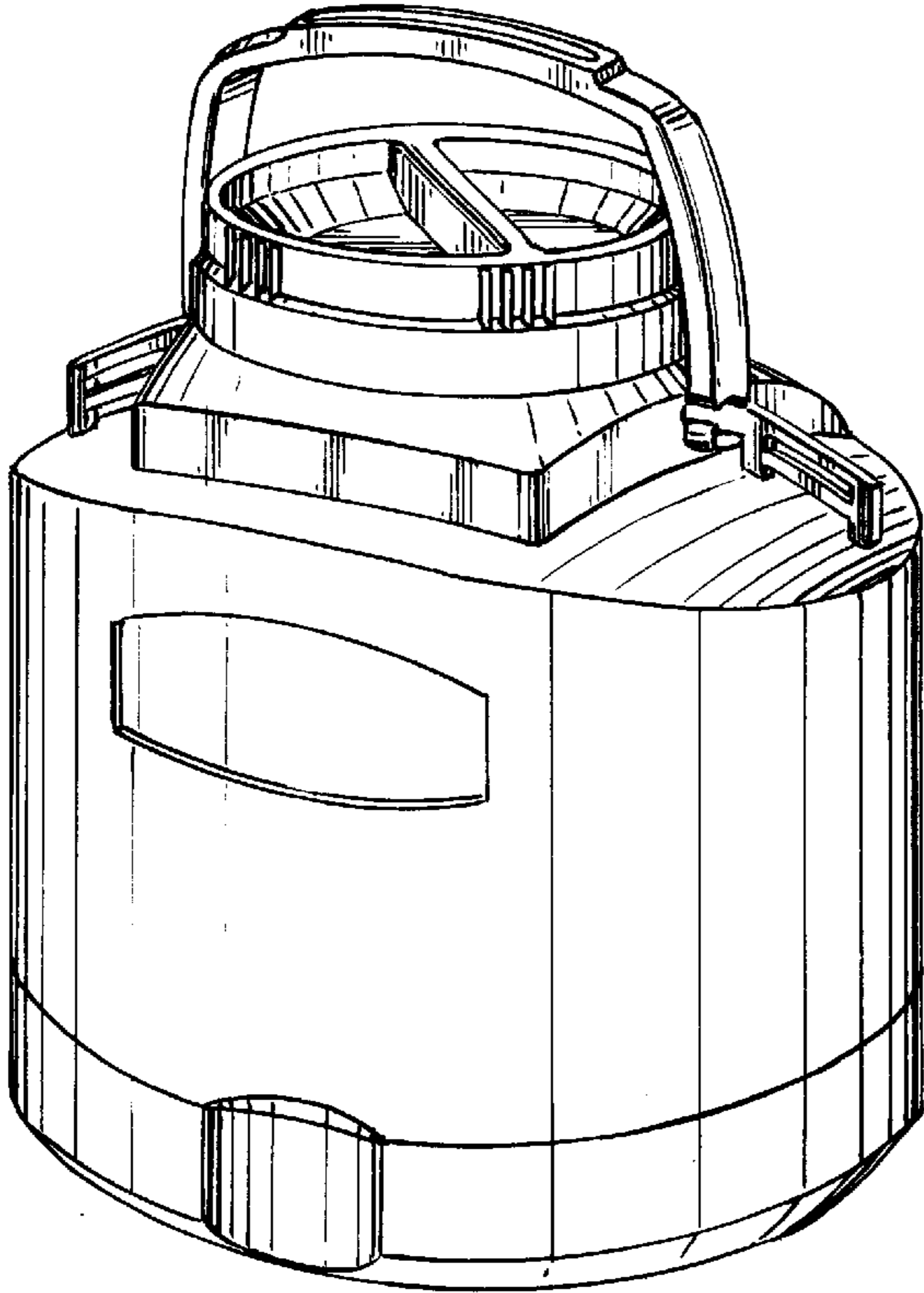


FIG. 2

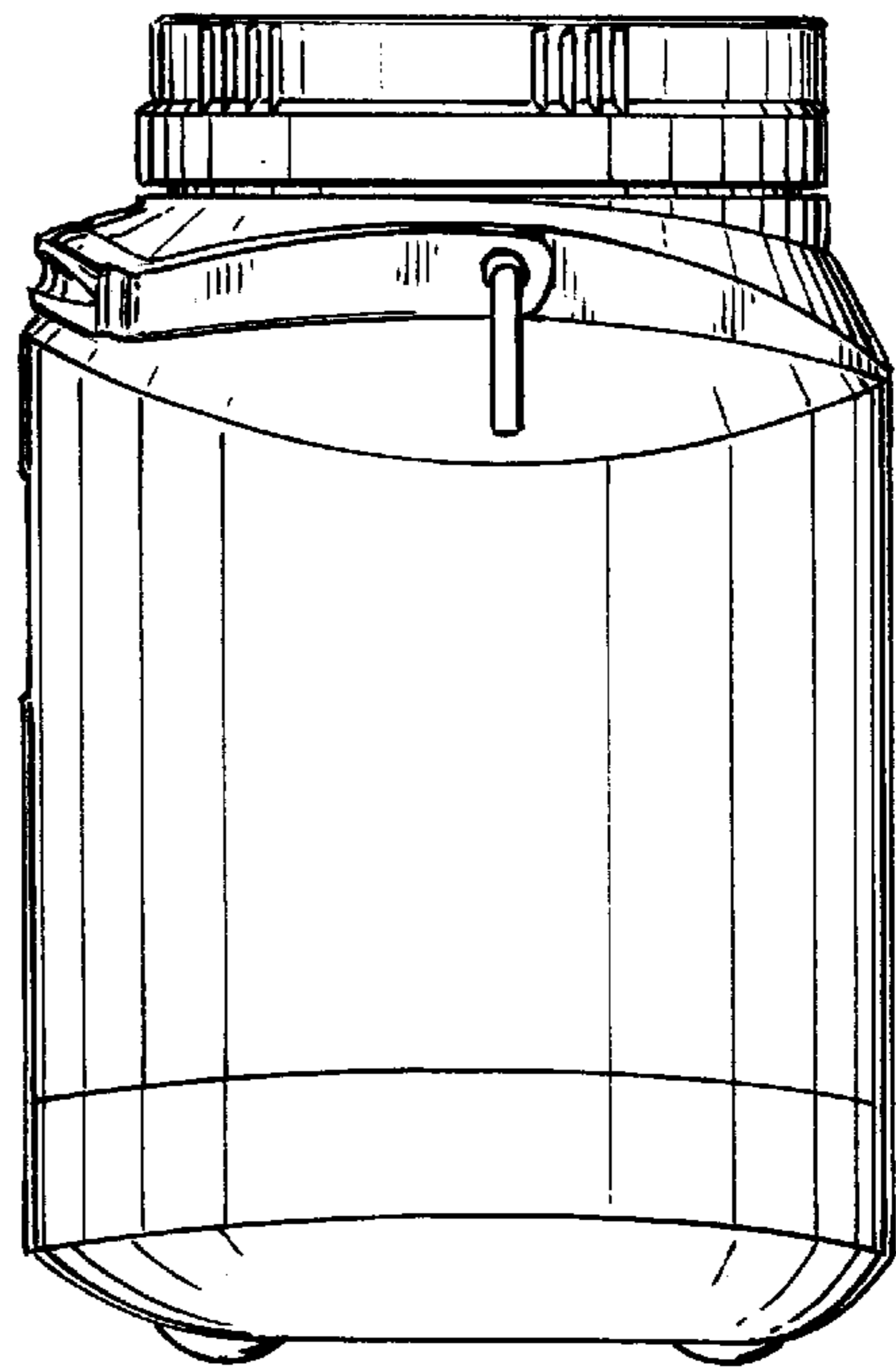
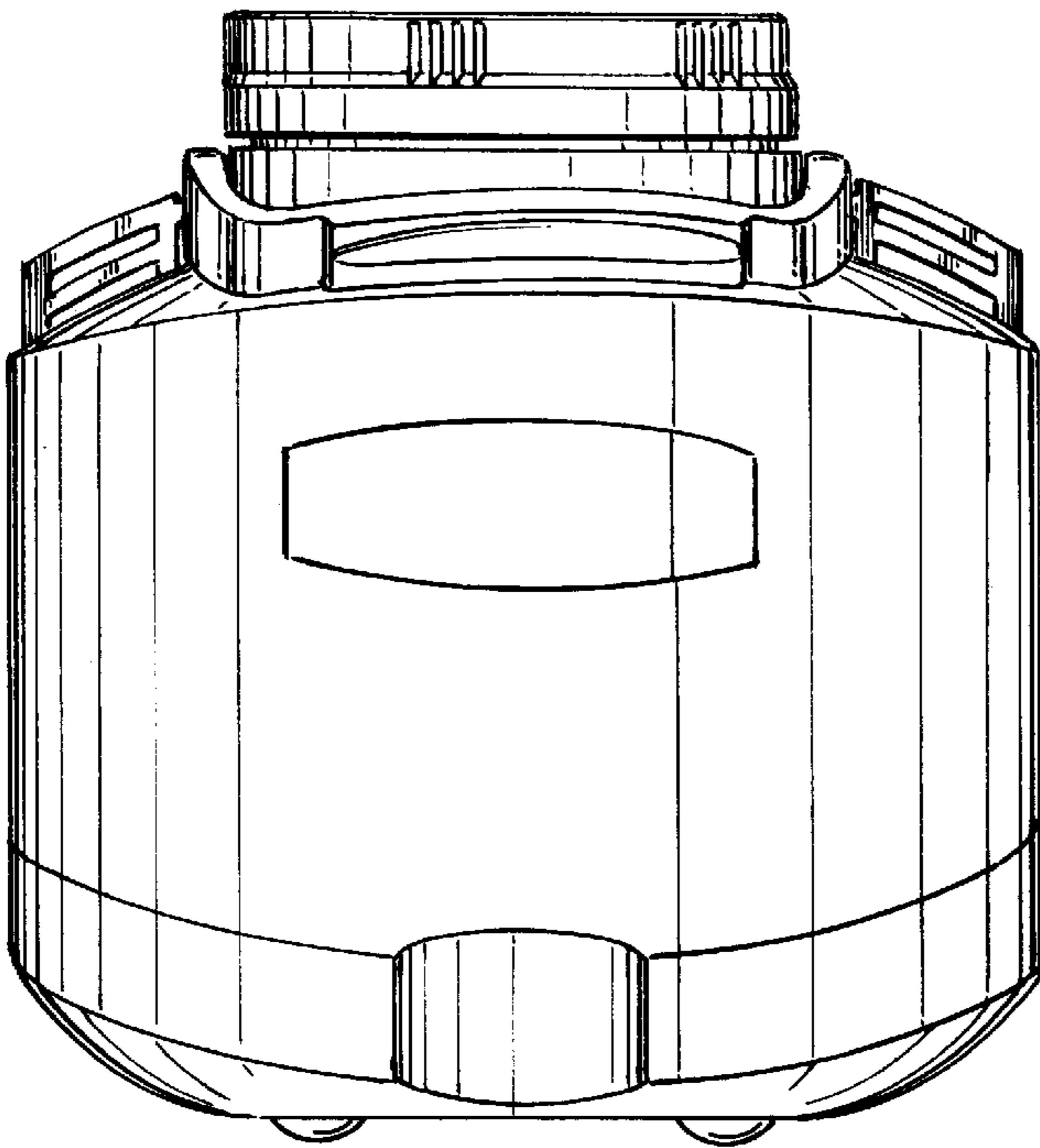
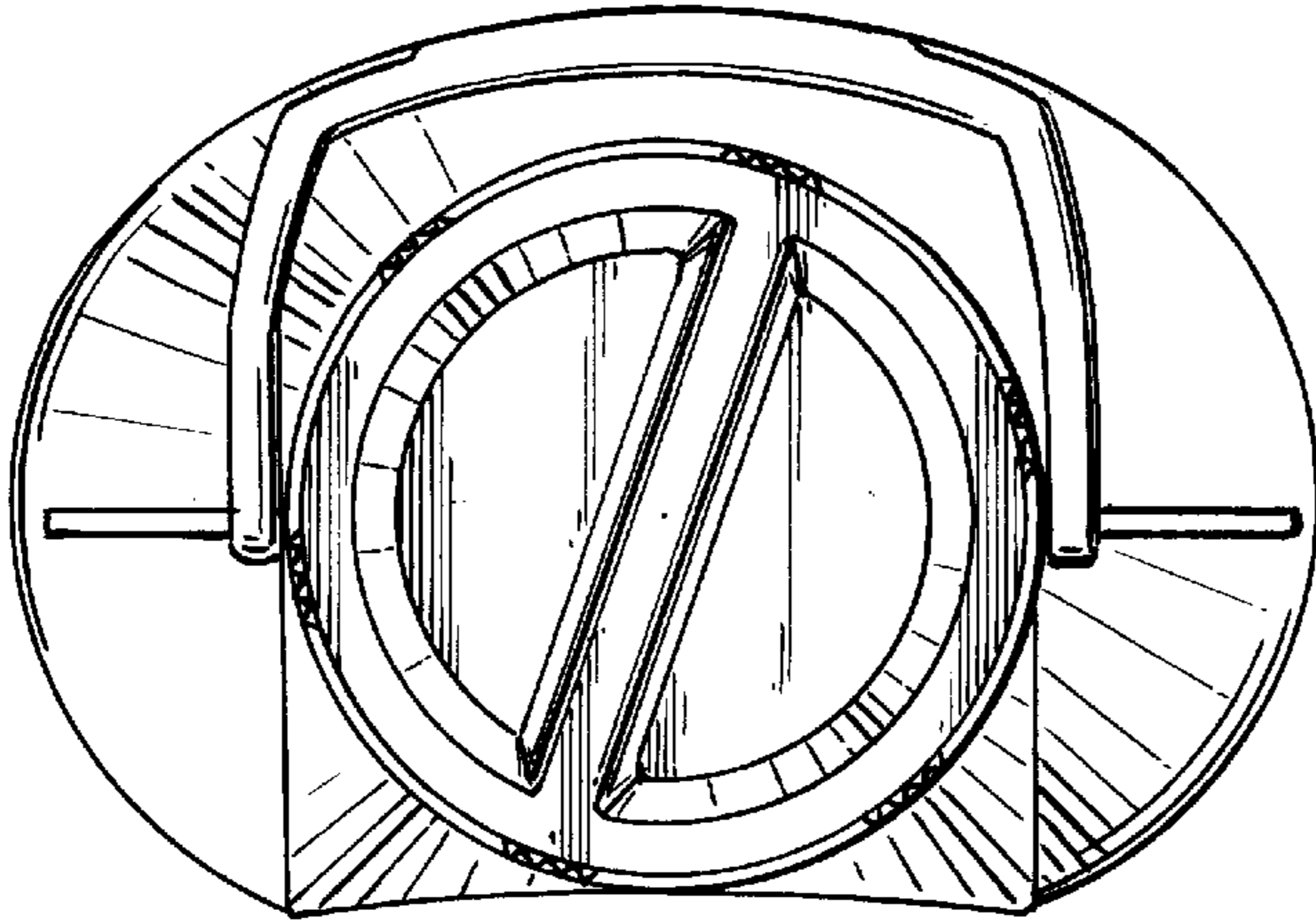


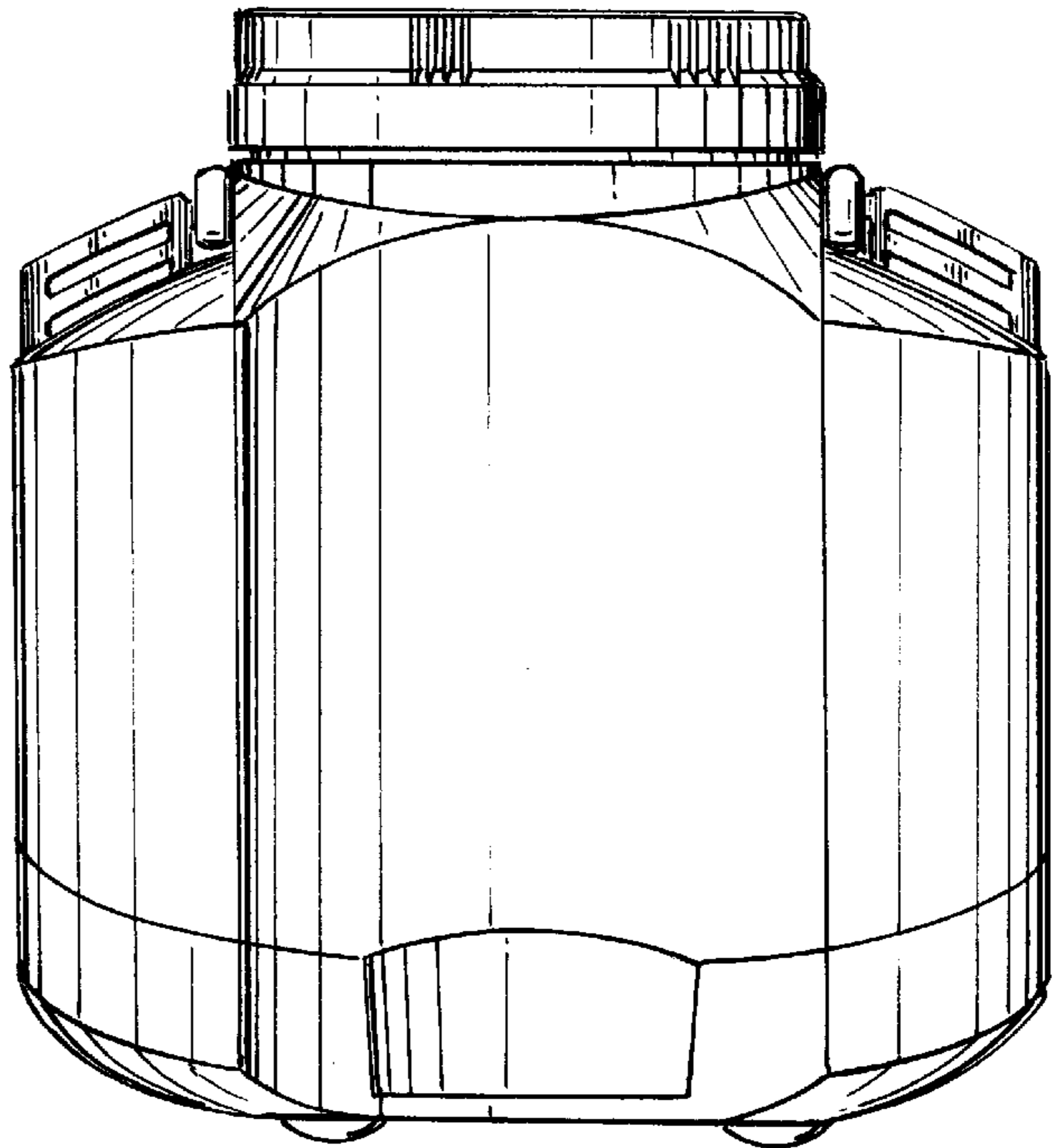
FIG. 3



*FIG. 4*



*FIG. 5*



*FIG. 6*

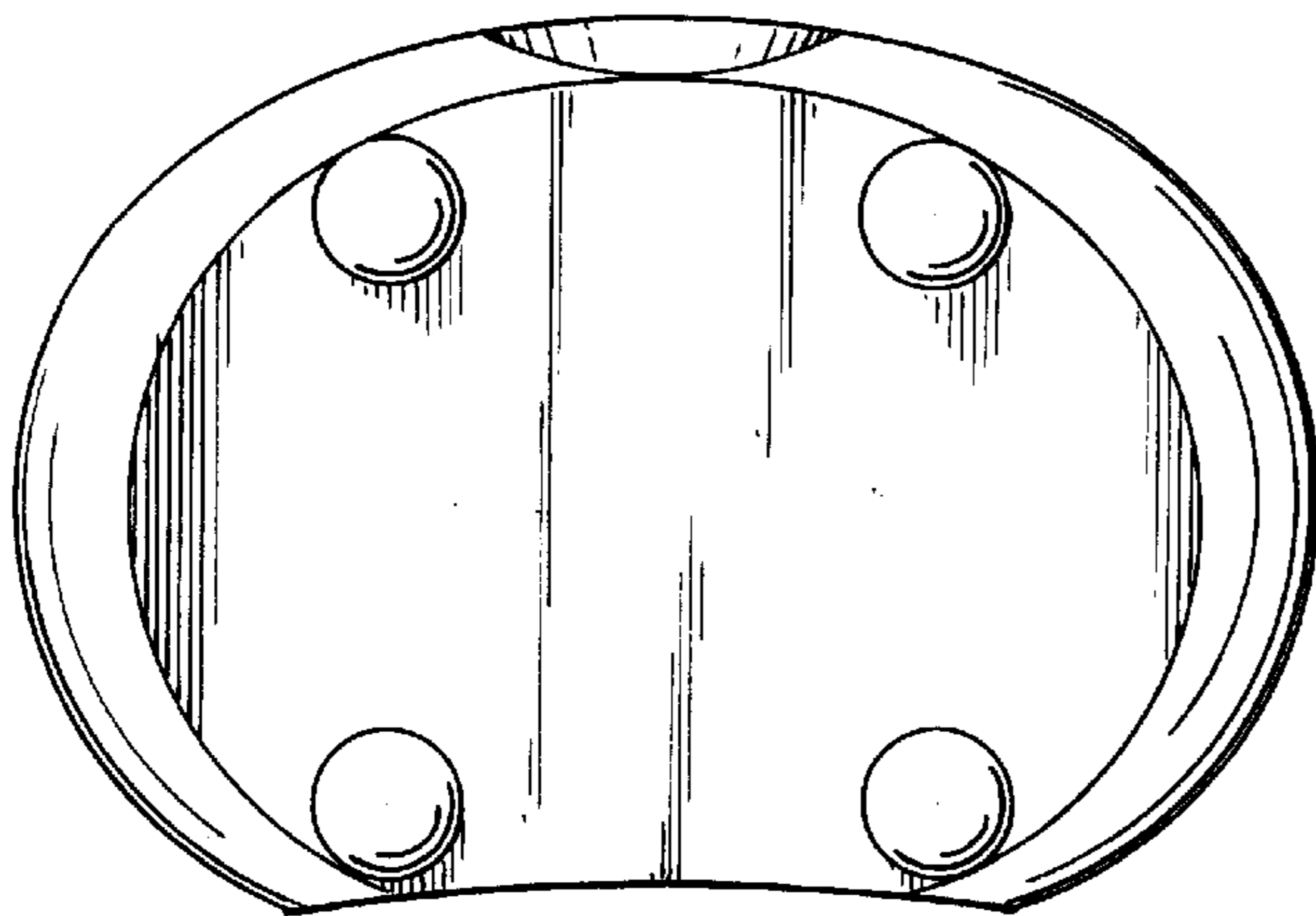


FIG. 7

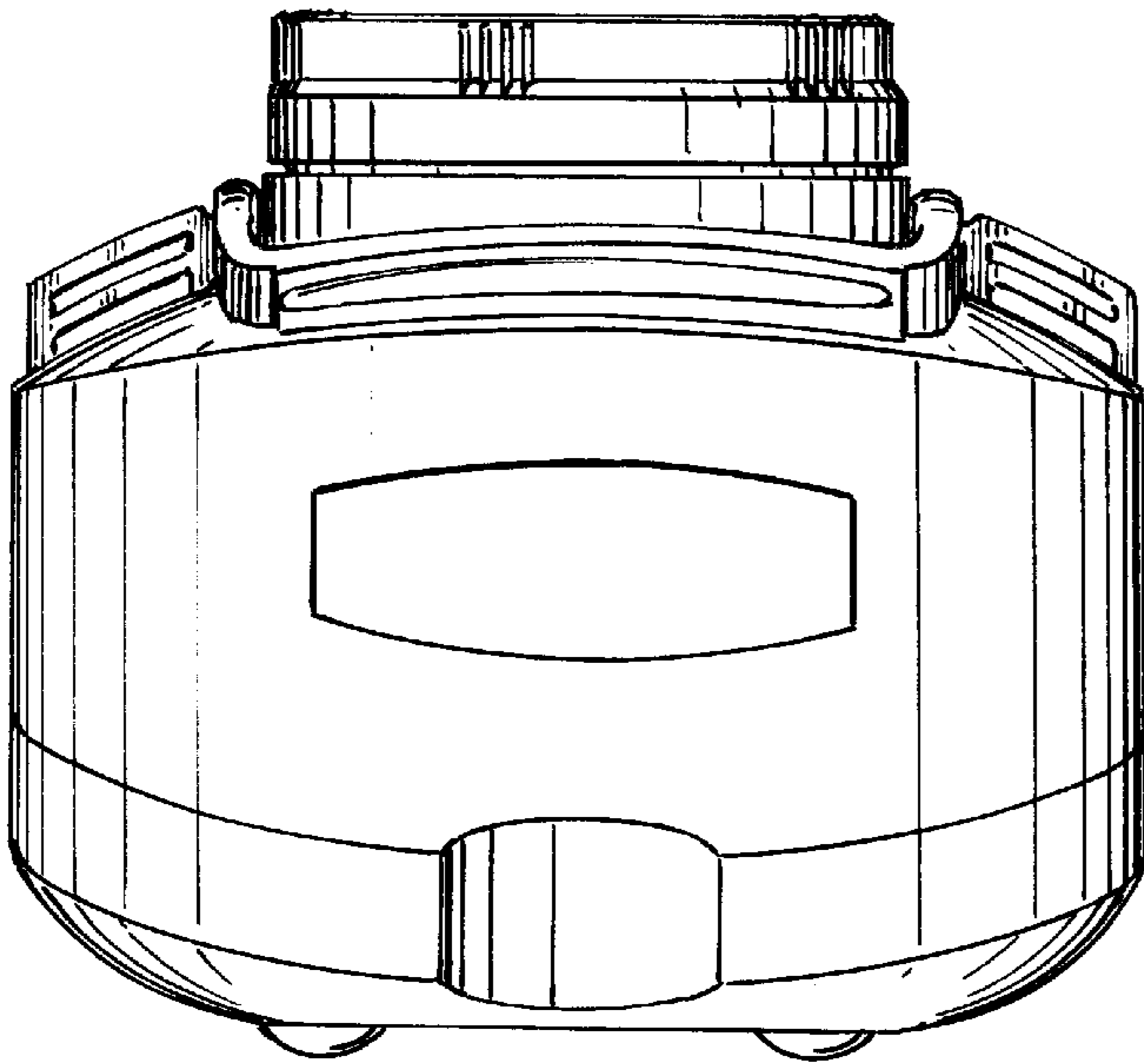


FIG. 8

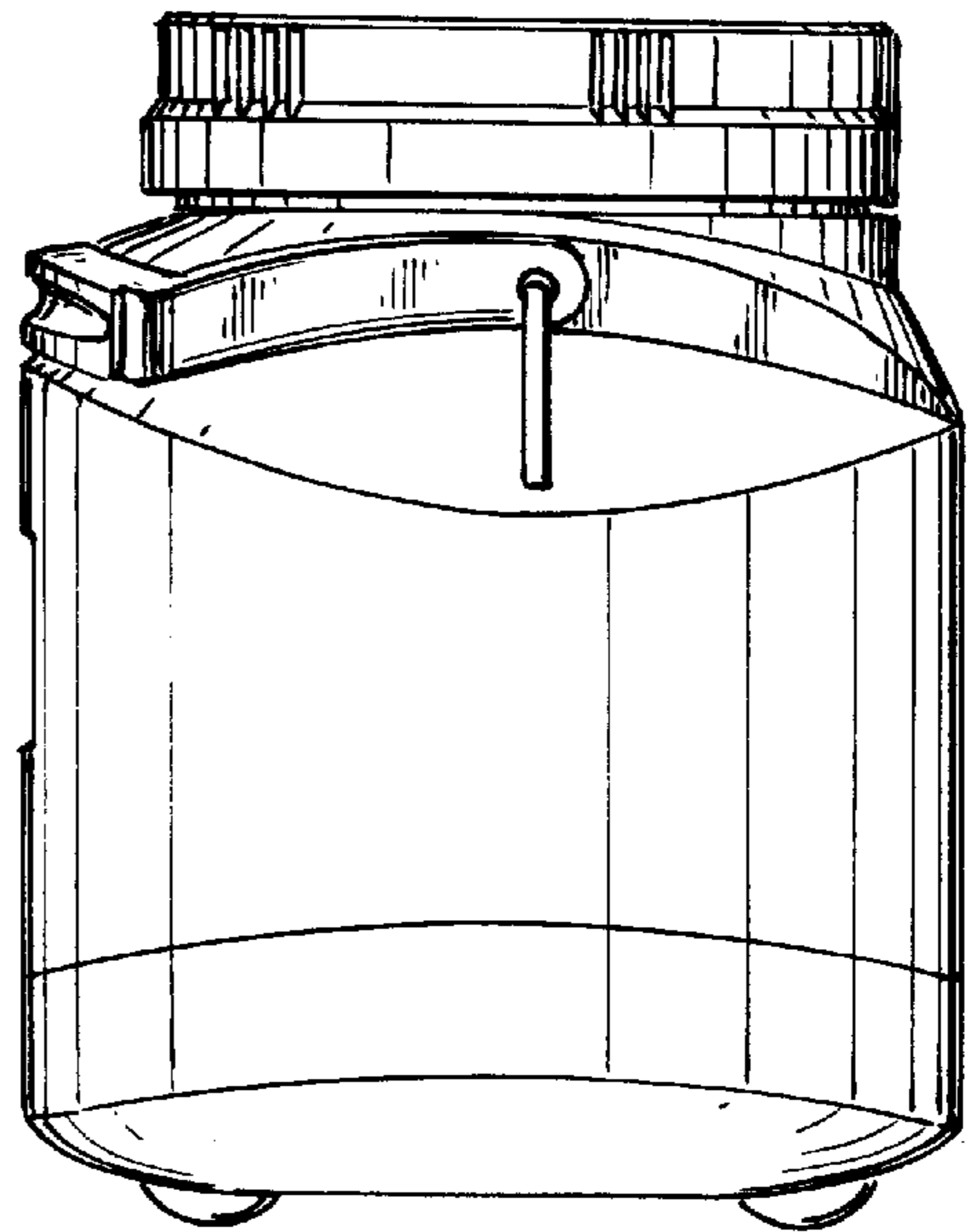


FIG. 9

