



US00D400640S

**United States Patent** [19]  
**Ohba et al.**

[11] **Patent Number: Des. 400,640**

[45] **Date of Patent: \*\*Nov. 3, 1998**

[54] **FISHING REEL**

D. 374,908 10/1996 Koelewyn ..... D22/141  
5,605,298 2/1997 Shimozaki et al. .... 242/231

[75] Inventors: **Nobuhiko Ohba; Masahiro Saeki,**  
both of Fuchu, Japan

*Primary Examiner*—Doris V. Coles  
*Attorney, Agent, or Firm*—Oliff & Berridge, PLC

[73] Assignee: **Ryobi Ltd.,** Fuchu, Japan

[57] **CLAIM**

[\*\*] Term: **14 Years**

The ornamental design for a fishing reel, as shown and described.

[21] Appl. No.: **70,243**

**DESCRIPTION**

[22] Filed: **May 2, 1997**

FIG. 1 is a front view of a fishing reel according to the invention;

[30] **Foreign Application Priority Data**

Jan. 17, 1997 [JP] Japan ..... 9-864

FIG. 2 is a rear view thereof;

[51] **LOC (6) Cl.** ..... **22-05**

FIG. 3 is a top view thereof;

[52] **U.S. Cl.** ..... **D22/141**

FIG. 4 is a bottom view thereof;

[58] **Field of Search** ..... D22/140, 141;  
242/223–233, 245, 246

FIG. 5 is a left-side view thereof;

FIG. 6 is a right-side view thereof;

[56] **References Cited**

**U.S. PATENT DOCUMENTS**

D. 352,760 11/1994 Terada et al. .

FIG. 7 is a front perspective view thereof; and,

FIG. 8 is a rear perspective view thereof.

**1 Claim, 4 Drawing Sheets**

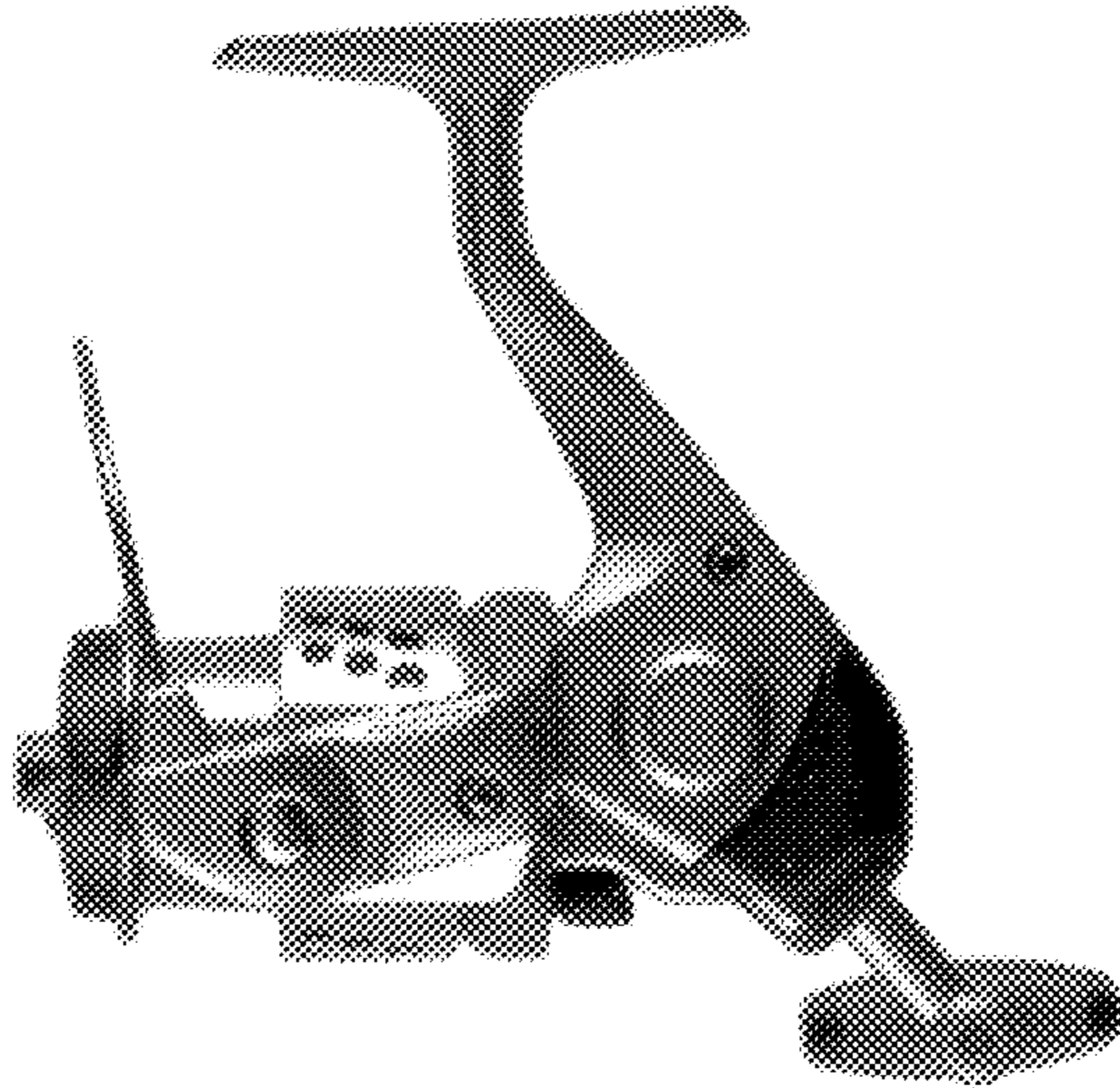


FIG. 1

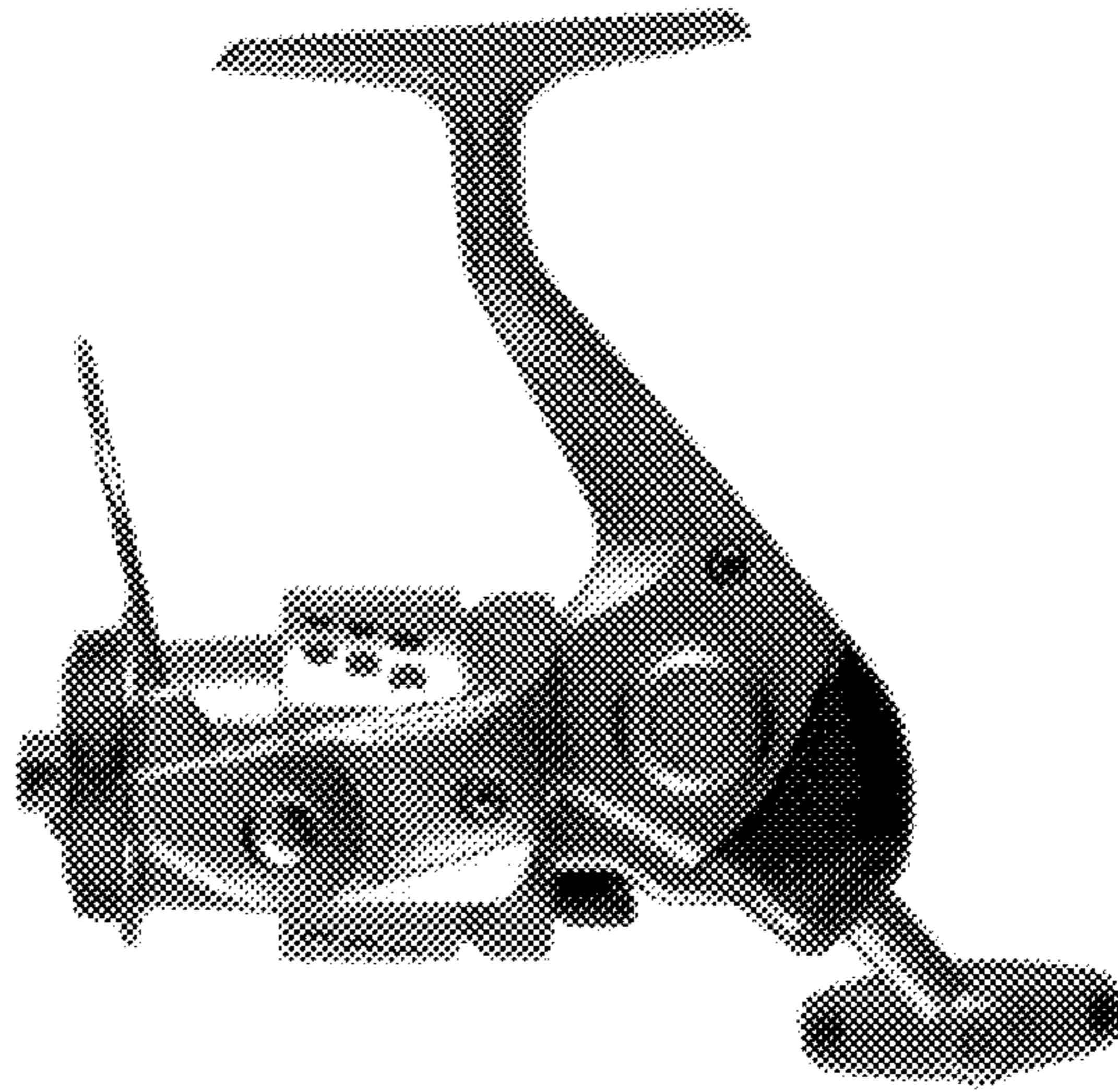


FIG. 2

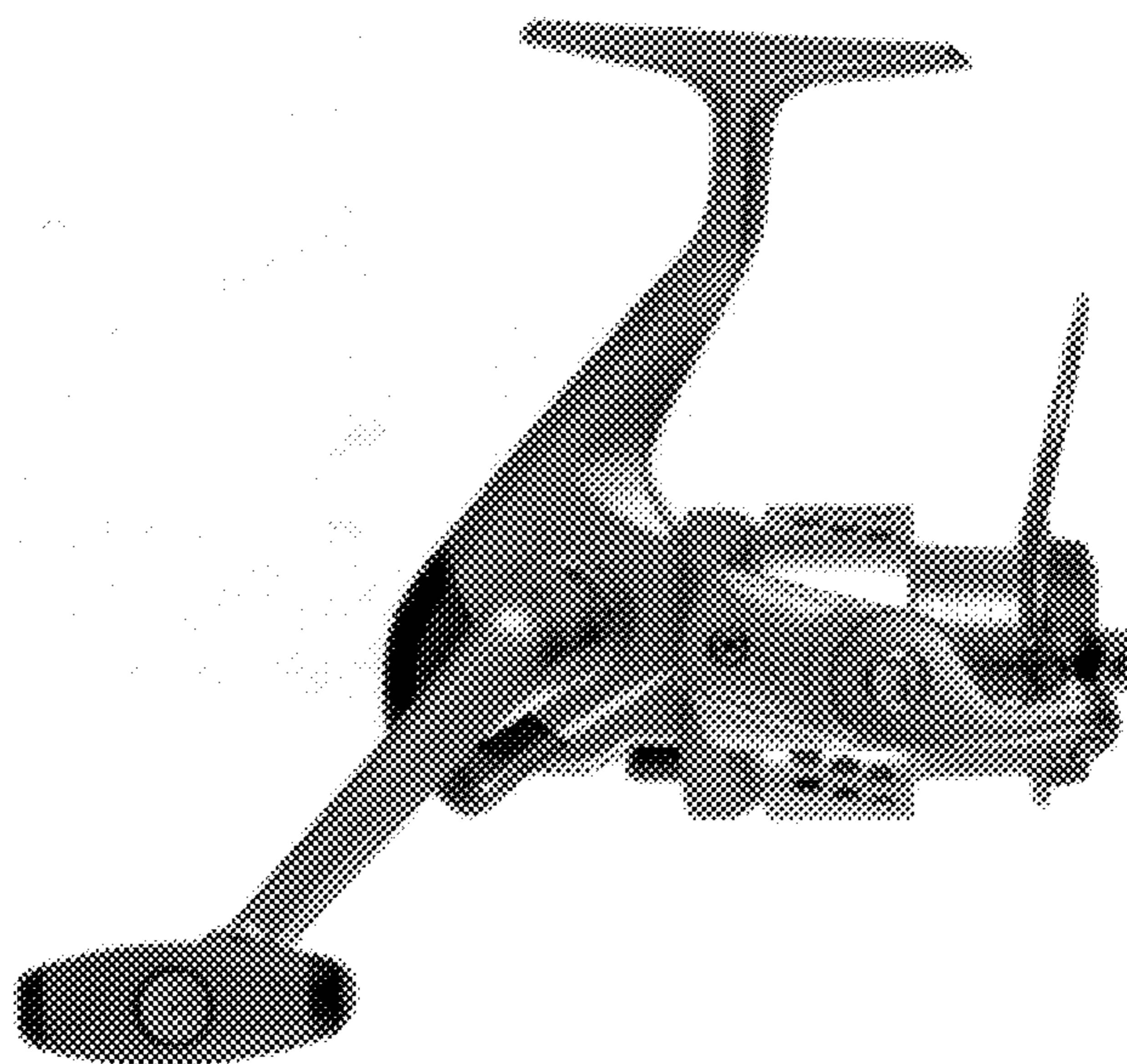


FIG. 3

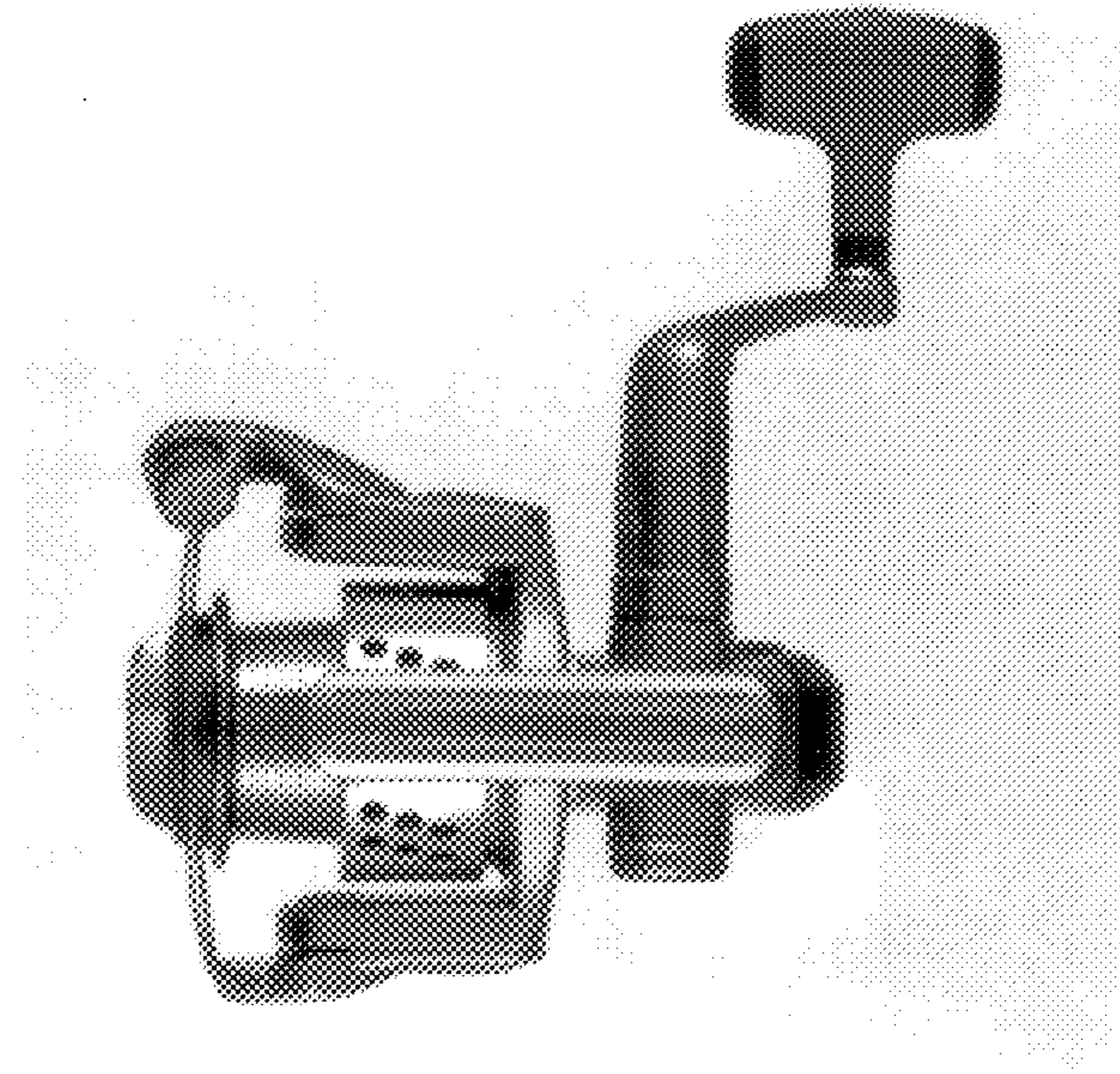


FIG. 4

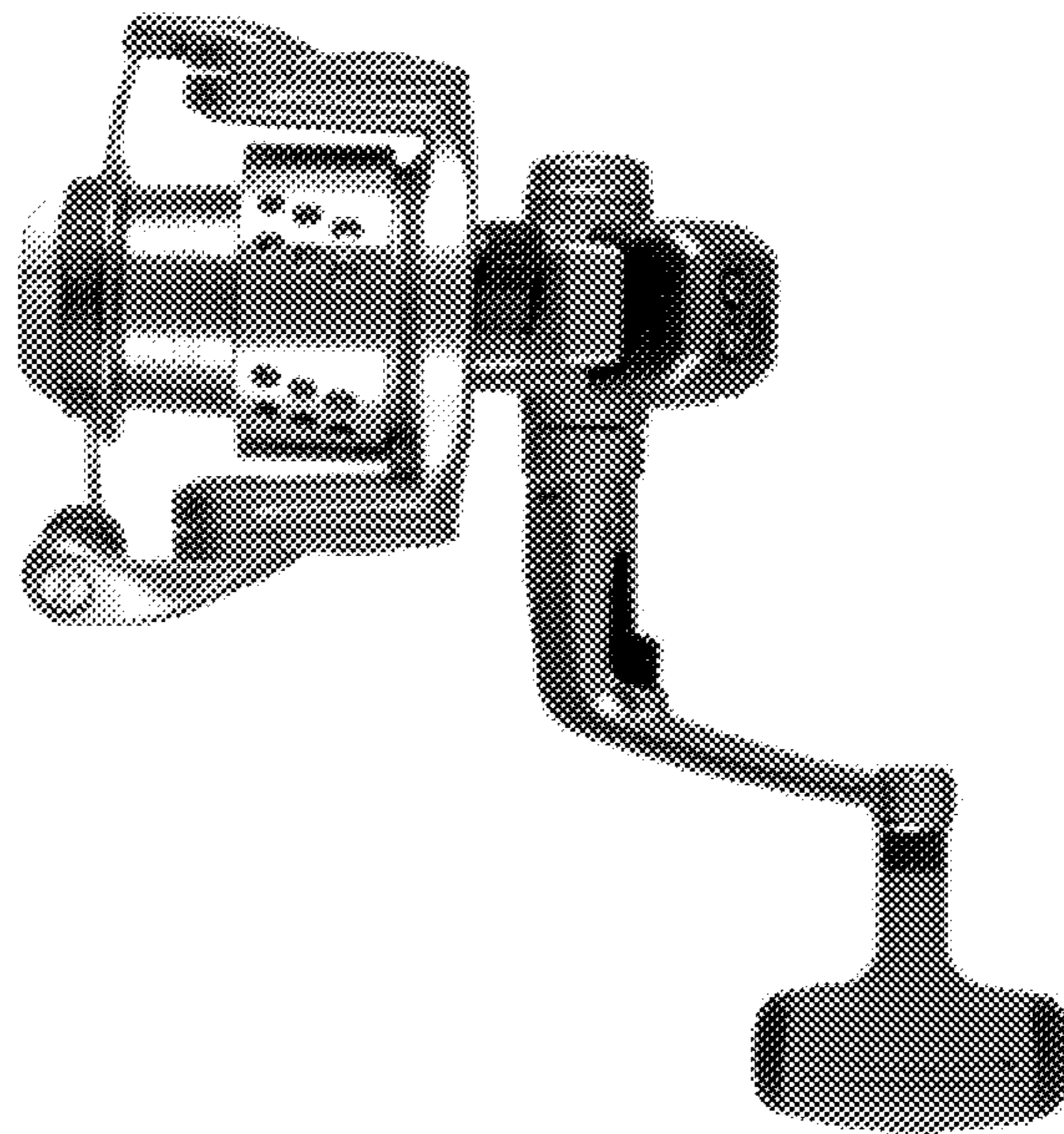




FIG. 5

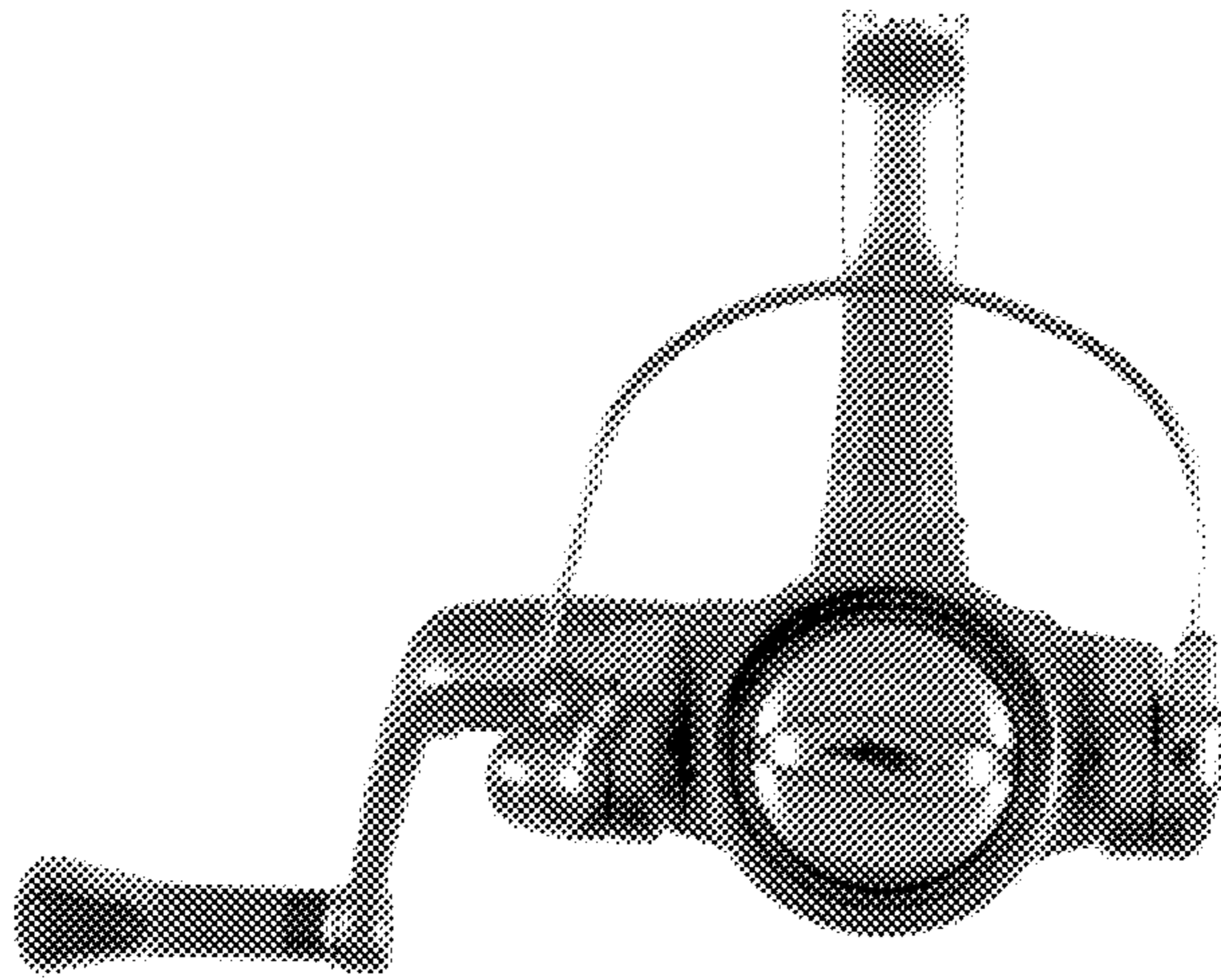


FIG. 6

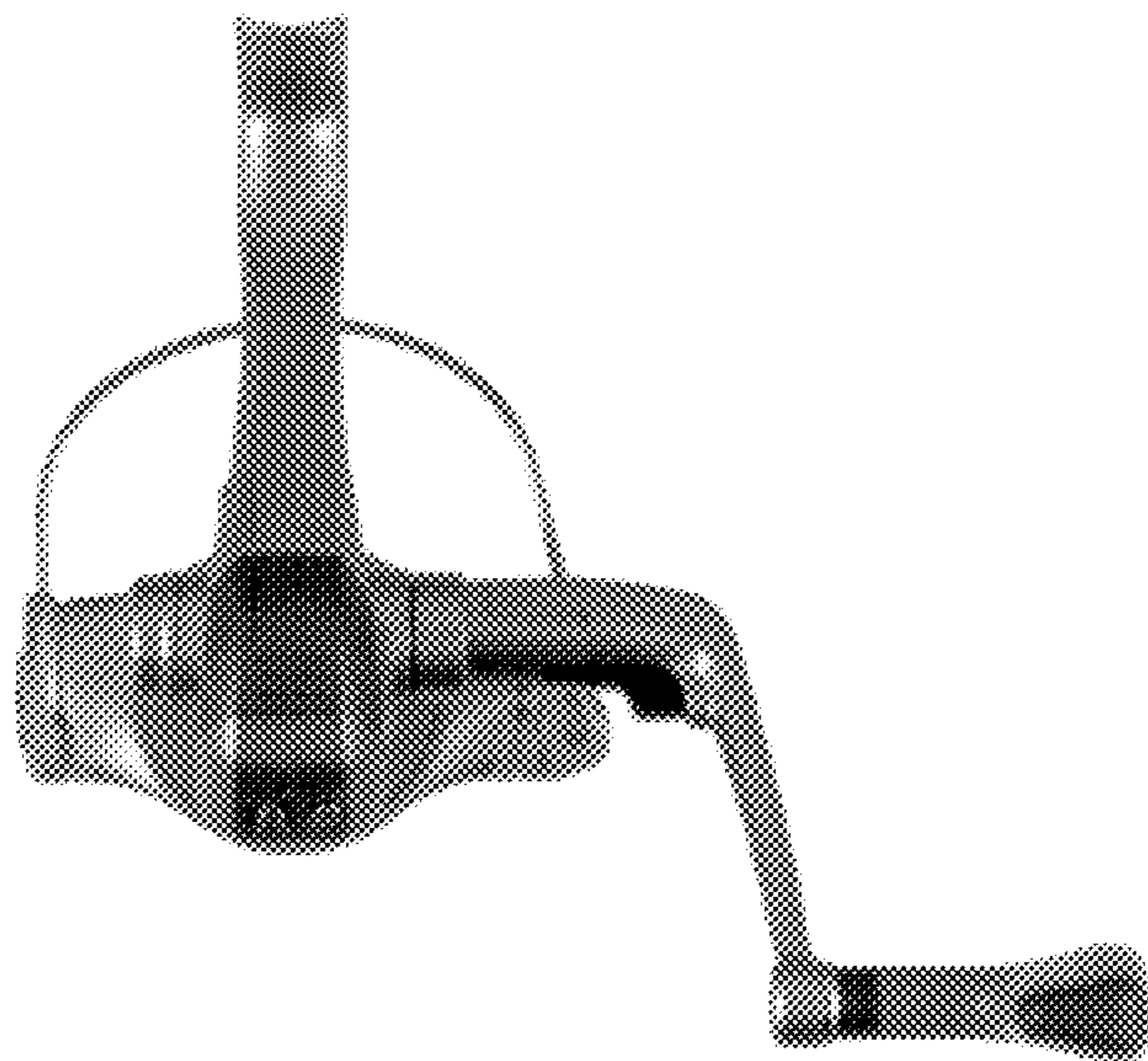


FIG. 7

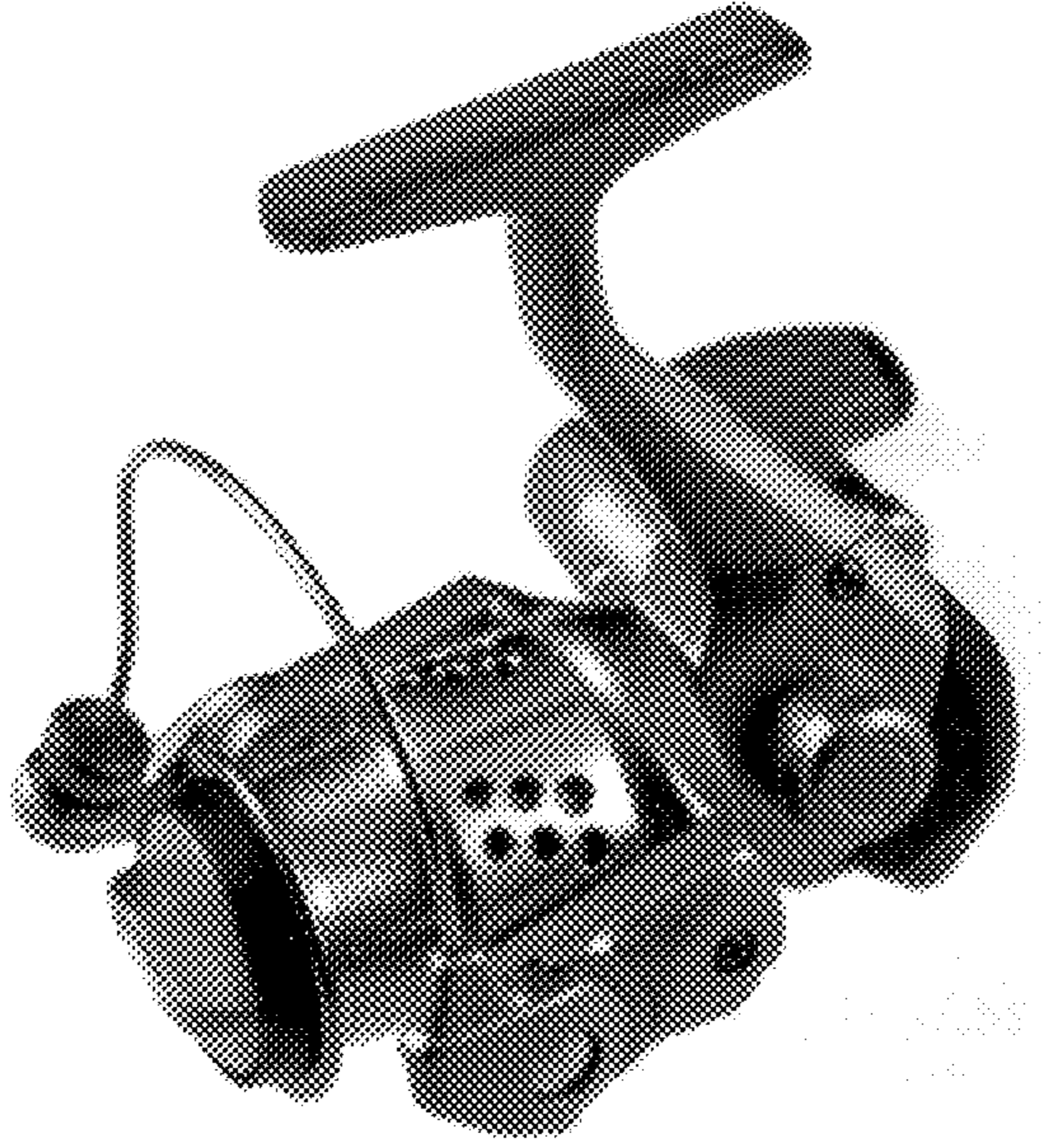


FIG. 8

