



US00D400639S

# United States Patent [19]

Ito et al.

[11] **Patent Number: Des. 400,639**

[45] **Date of Patent: \*\*Nov. 3, 1998**

[54] **FISHING REEL**

[75] Inventors: **Masaaki Ito; Etsuo Hiraishi**, both of Tokyo, Japan

[73] Assignee: **Ryobi Ltd.**, Fuchu, Japan

[\*\*] Term: **14 Years**

[21] Appl. No.: **70,690**

[22] Filed: **May 13, 1997**

[30] **Foreign Application Priority Data**

Feb. 19, 1997 [JP] Japan ..... 8-004430

[51] **LOC (6) Cl.** ..... **22-05**

[52] **U.S. Cl.** ..... **D22/140**

[58] **Field of Search** ..... D22/140, 141; 242/234-239, 311, 312, 313, 310, 282, 283, 240, 279, 257-262

[56] **References Cited**

**U.S. PATENT DOCUMENTS**

D. 315,011 2/1991 Kameda et al. .... D22/140

D. 347,460	5/1994	Ohi .....	D22/140
D. 356,138	3/1995	Onishi .....	D22/140
D. 356,139	3/1995	Onishi .....	D22/140
D. 366,690	1/1996	Storz .....	D22/140
D. 369,642	5/1996	Iwabuchi .....	D22/140
5,683,050	11/1997	Murayama et al. ....	242/283

*Primary Examiner*—Doris V. Coles  
*Attorney, Agent, or Firm*—Oliff & Berridge, PLC

[57] **CLAIM**

The ornamental design for a fishing reel, as shown and described.

**DESCRIPTION**

FIG. 1 is a front view of a fishing reel embodying our new design;  
FIG. 2 is a rear view thereof;  
FIG. 3 is a top view thereof;  
FIG. 4 is a bottom view thereof;  
FIG. 5 is a left side view thereof; and,  
FIG. 6 is a right side view thereof.

**1 Claim, 3 Drawing Sheets**

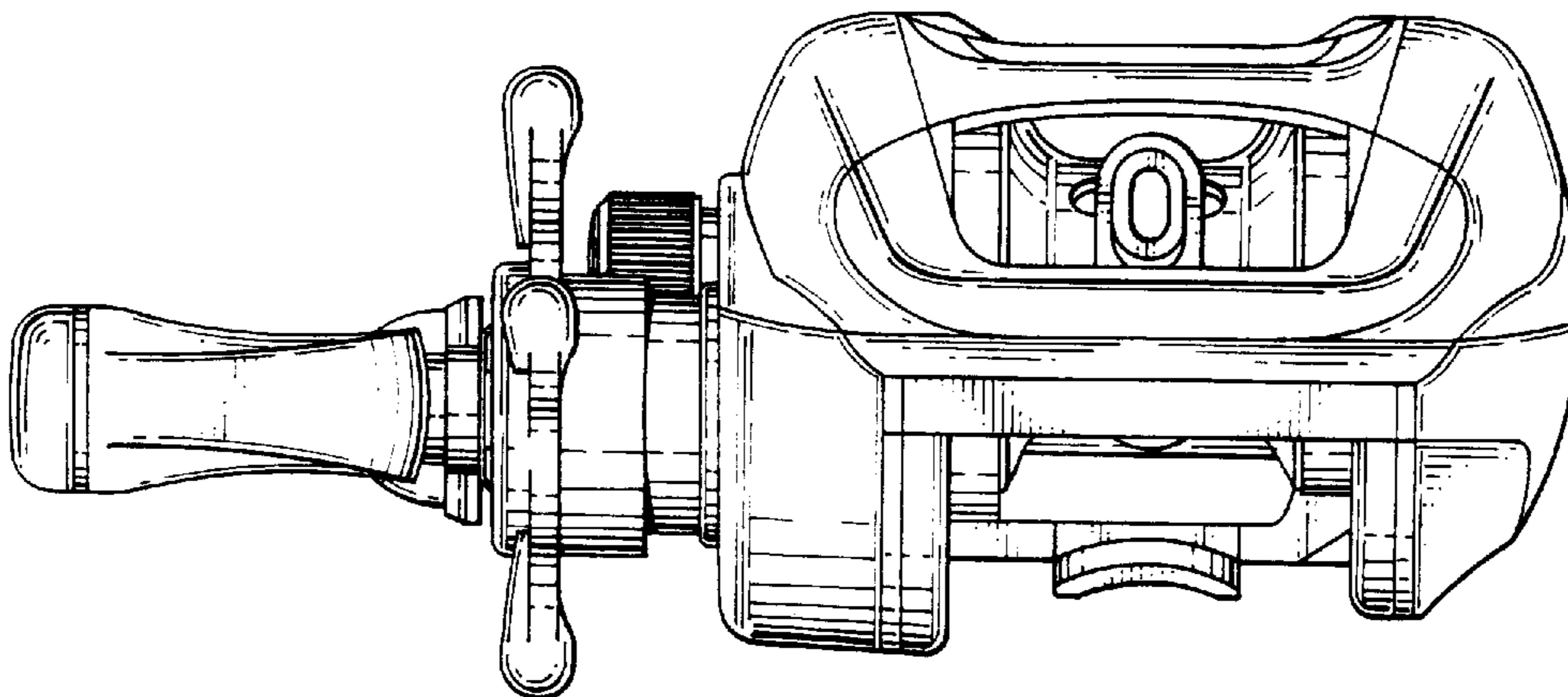


FIG. 1

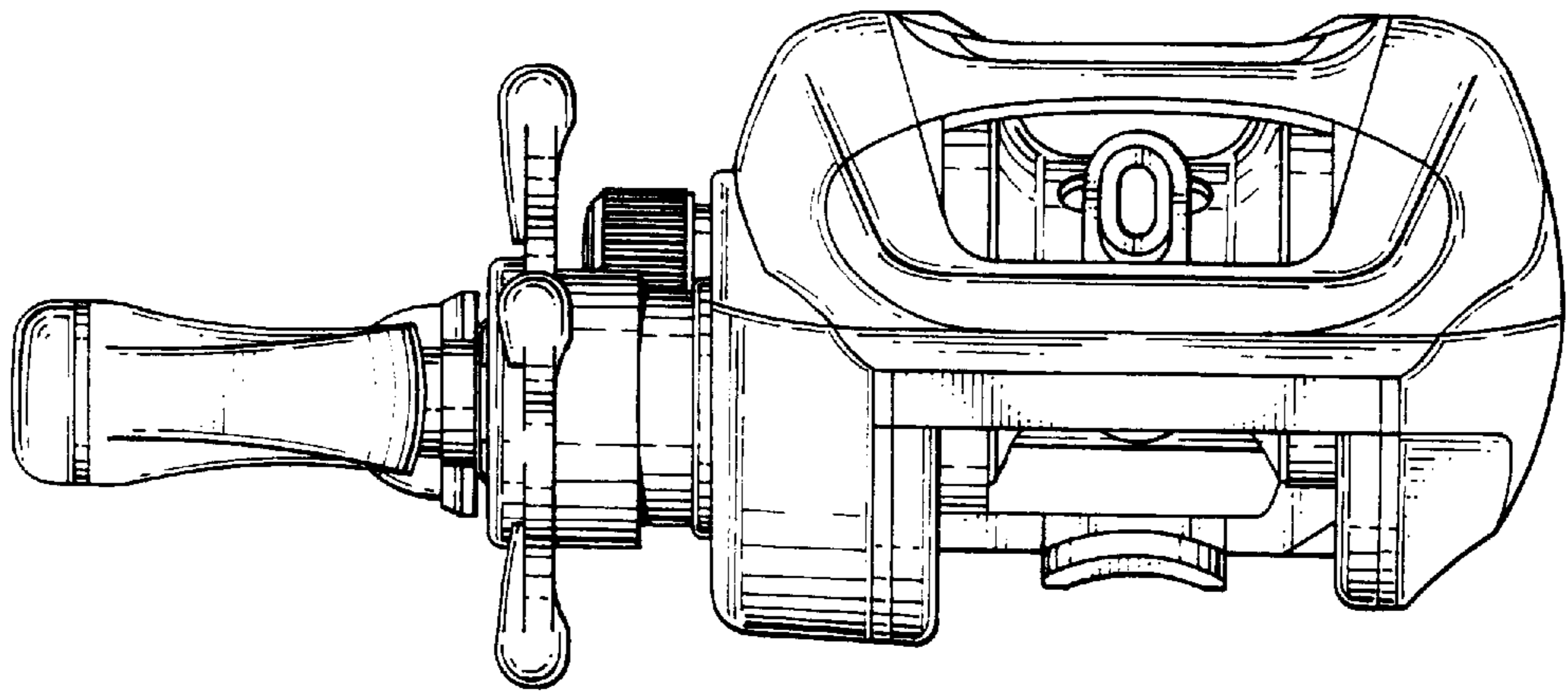


FIG. 2

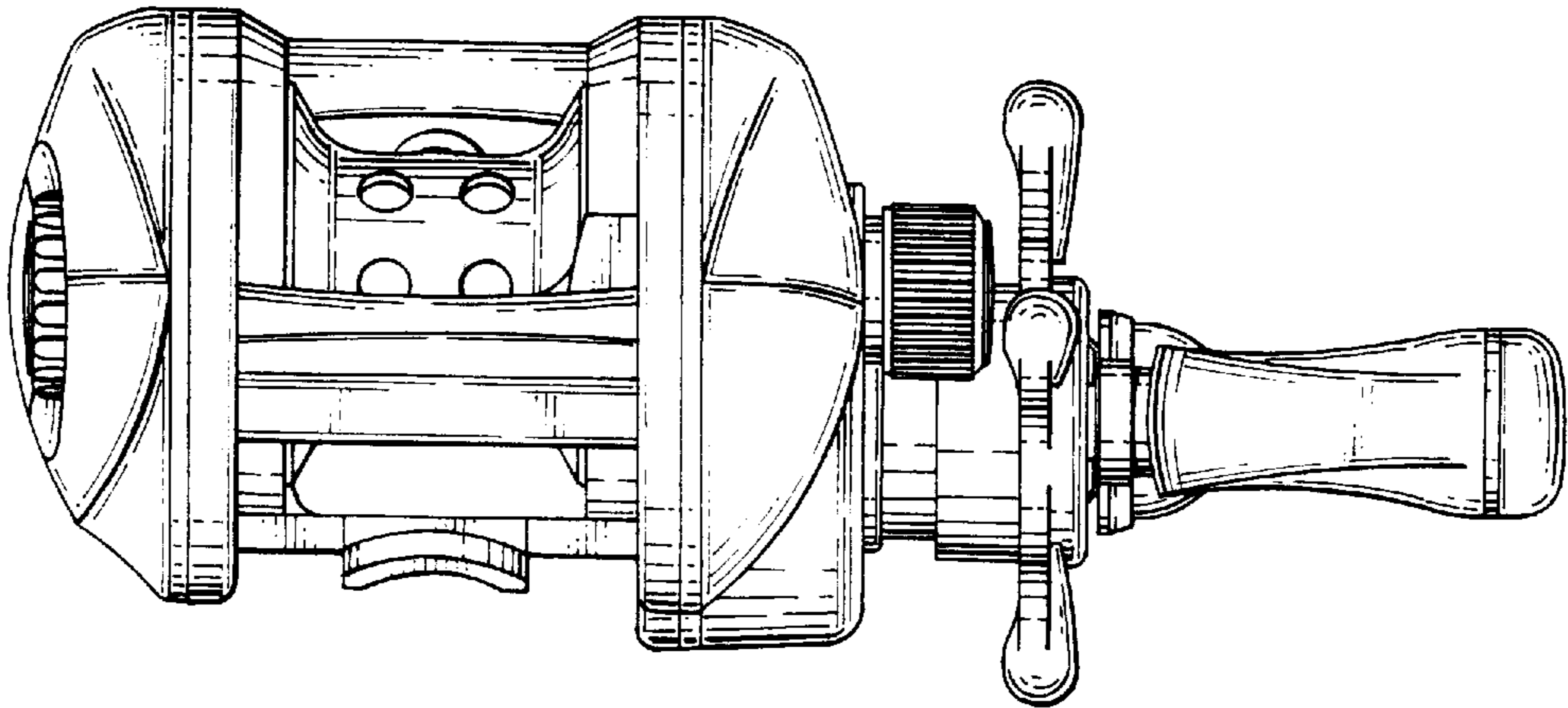


FIG. 3

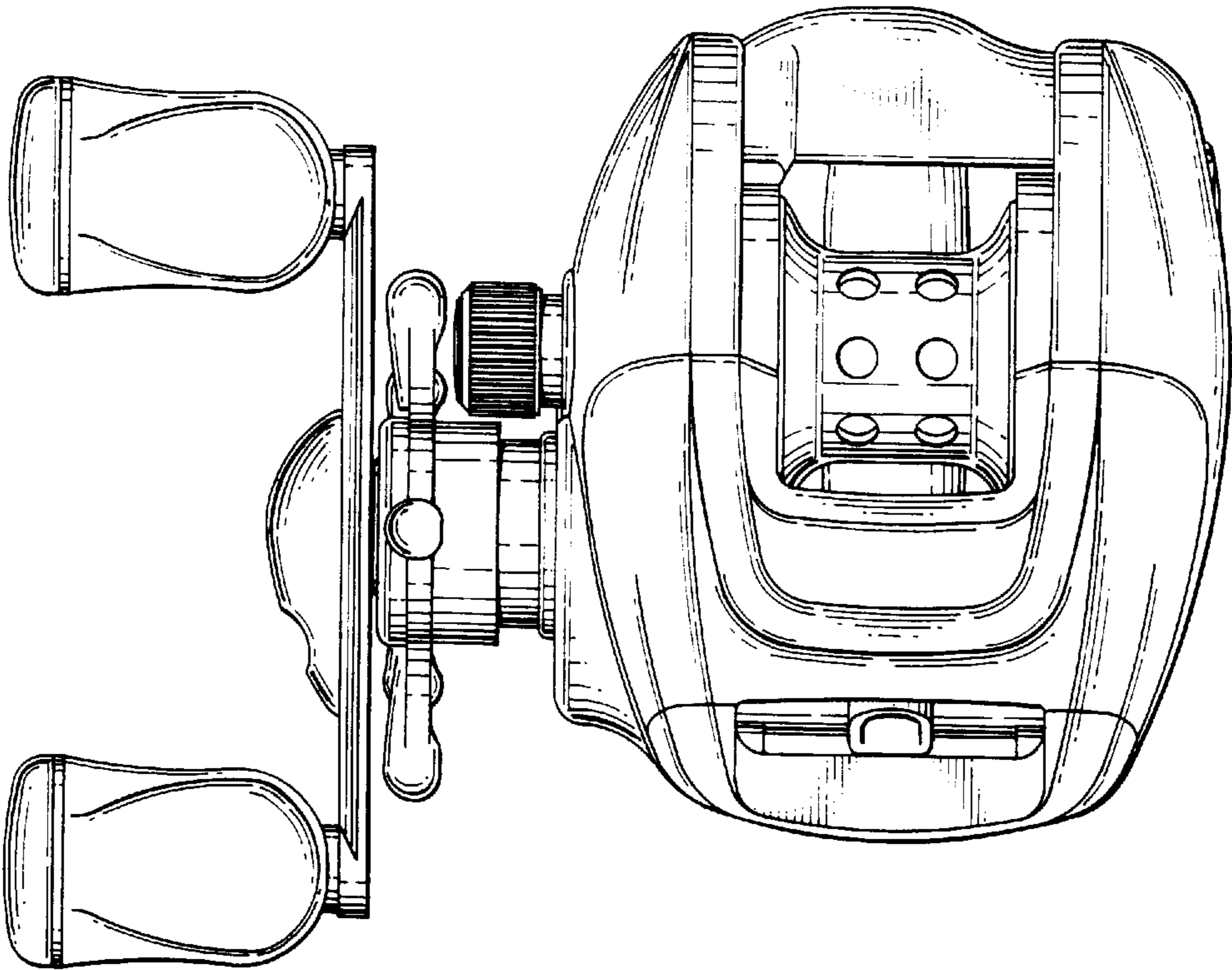


FIG. 4

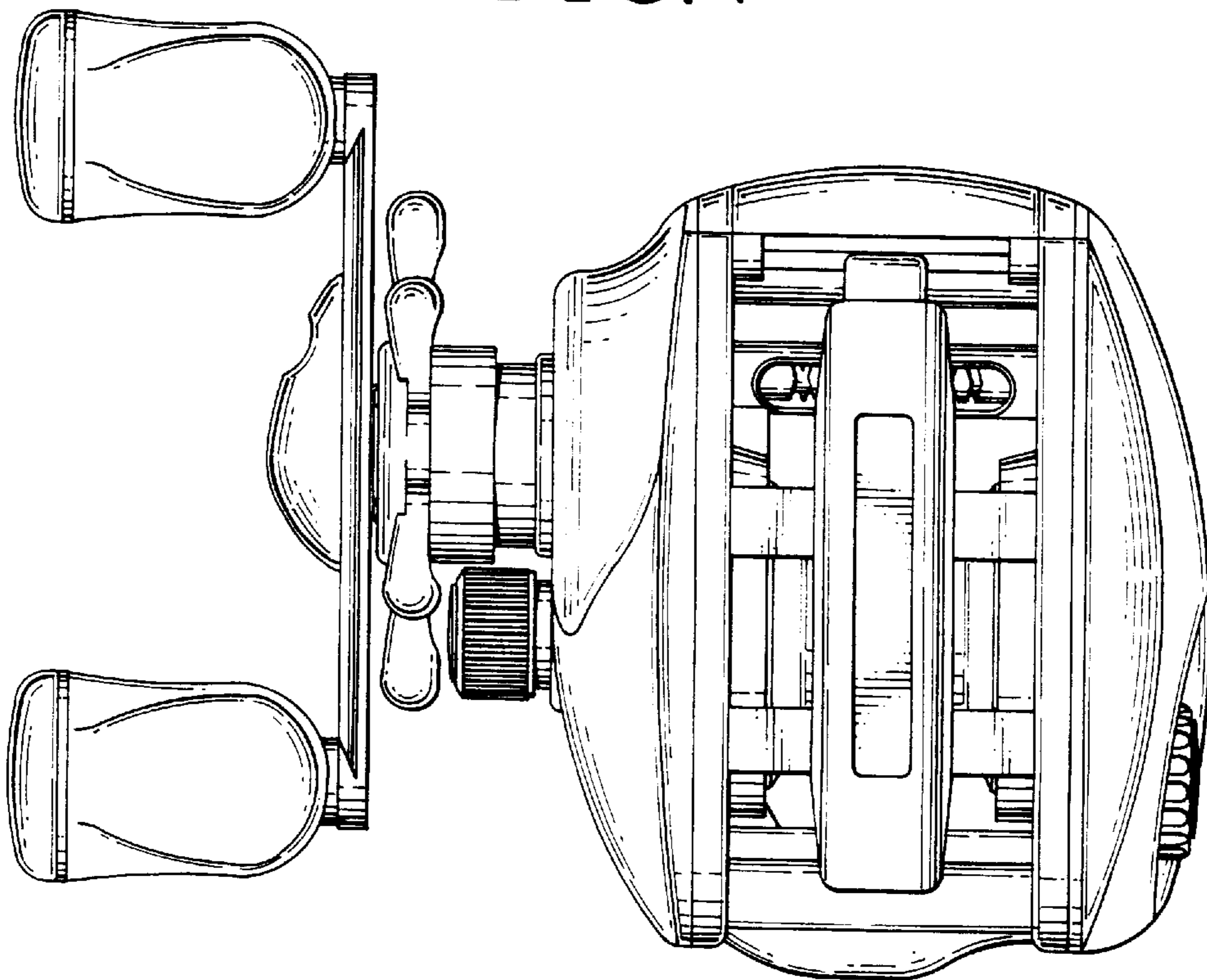


FIG. 5

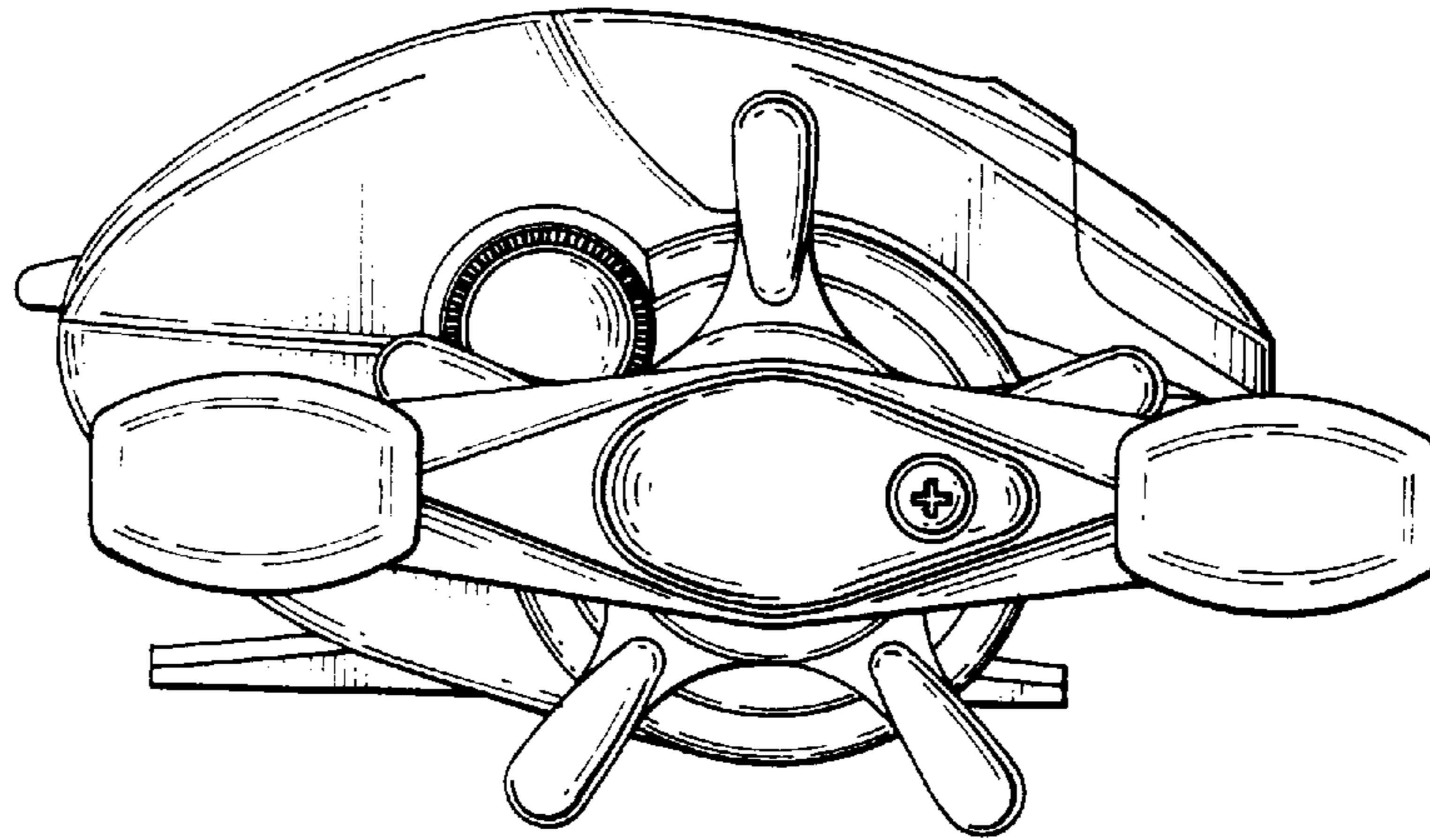


FIG. 6

