



US00D400638S

United States Patent [19]

Ohba et al.

[11] Patent Number: **Des. 400,638**

[45] Date of Patent: ****Nov. 3, 1998**

[54] **FISHING REEL**

[75] Inventors: **Nobuhiko Ohba; Koutaro Yasuda,**
both of Fuchu, Japan

[73] Assignee: **Ryobi Ltd.,** Fuchu, Japan

[**] Term: **14 Years**

[21] Appl. No.: **67,292**

[22] Filed: **Mar. 10, 1997**

[30] Foreign Application Priority Data

Dec. 20, 1996 [JP] Japan 8-38439

[51] **LOC (6) Cl.** **22-05**

[52] **U.S. Cl.** **D22/140**

[58] **Field of Search** D22/140, 141;
33/716, 719, 720, 734; 242/223, 310, 279

[56] References Cited

U.S. PATENT DOCUMENTS

D. 291,473	8/1987	Nakamura	D22/140
D. 299,848	2/1989	Hiraishi et al.	D22/140
D. 300,842	4/1989	Doi et al.	D22/140
D. 300,843	4/1989	Doi et al.	D22/140
D. 324,716	3/1992	Yoshikawa	D22/140
D. 390,306	2/1998	Oba et al.	D22/140

4,620,371	11/1986	Murakami et al.	33/716
4,790,492	12/1988	Atobe	242/223
4,934,628	6/1990	Yamaguchi	D22/140
5,007,601	4/1991	Emura et al.	D22/140
5,139,213	8/1992	Furomoto	242/279
5,427,323	6/1995	Kaneko et al.	242/223
5,503,341	4/1996	Kaneko et al.	242/223

FOREIGN PATENT DOCUMENTS

727502	11/1987	Japan .
955007	3/1996	Japan .

Primary Examiner—Doris V. Coles
Attorney, Agent, or Firm—Oliff & Berridge PLC

[57] CLAIM

The ornamental design for fishing reel, as shown and described.

DESCRIPTION

FIG. 1 is a perspective view of our fishing reel;
FIG. 2 is a front view thereof;
FIG. 3 is a rear view thereof;
FIG. 4 is a plan view thereof;
FIG. 5 is a bottom view thereof;
FIG. 6 is a left-side view thereof; and,
FIG. 7 is a right-side view thereof.

1 Claim, 4 Drawing Sheets

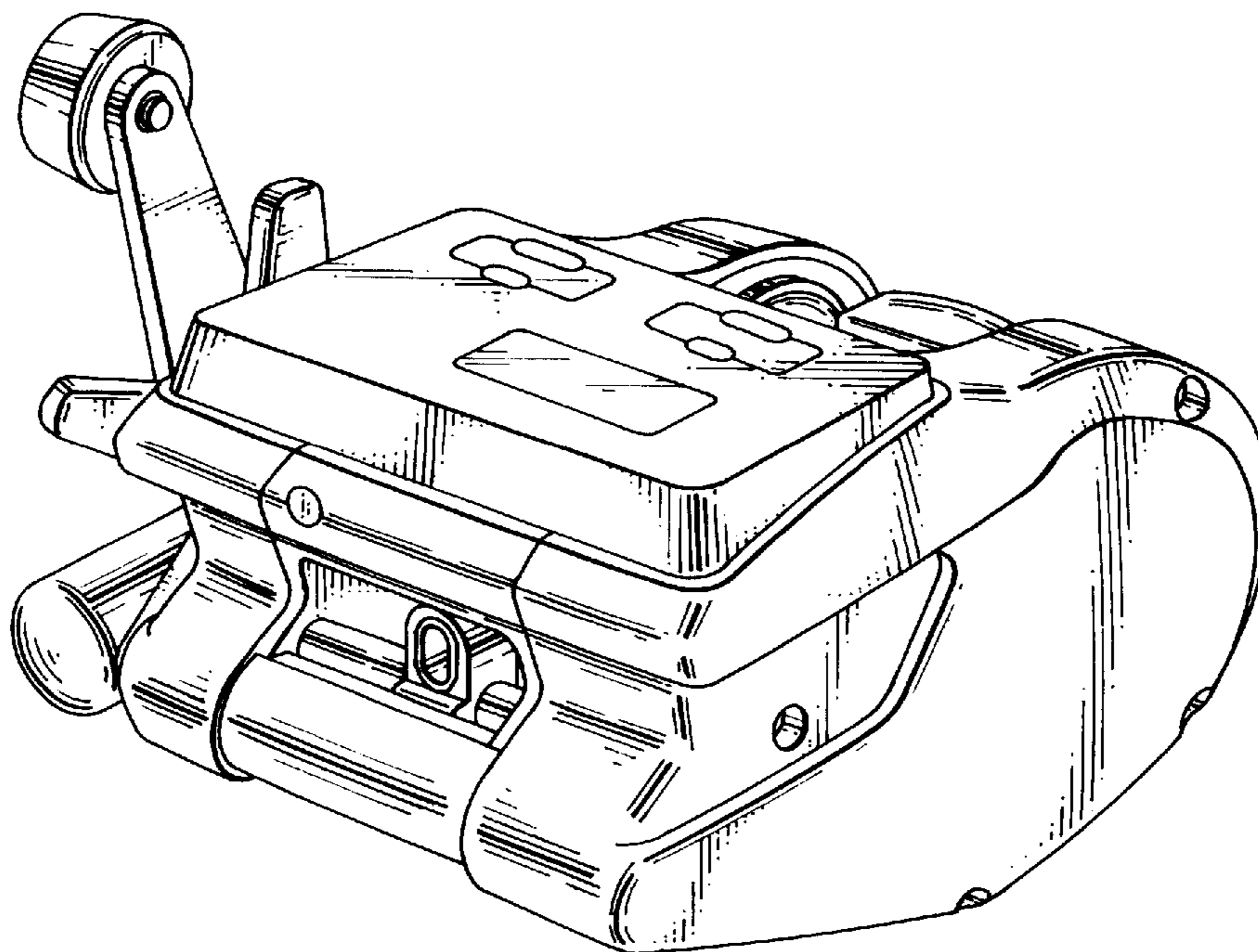


FIG. 1

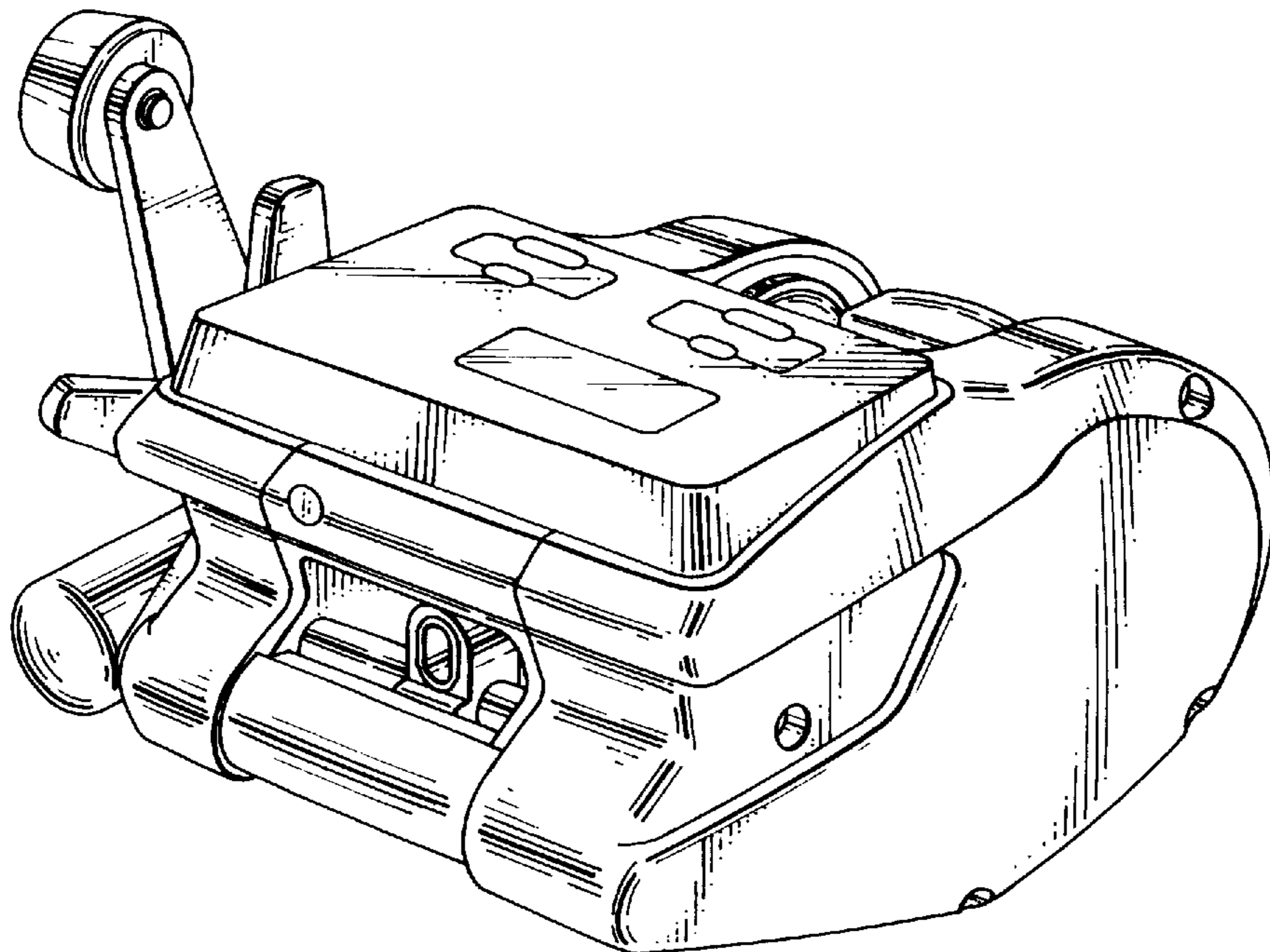


FIG. 2

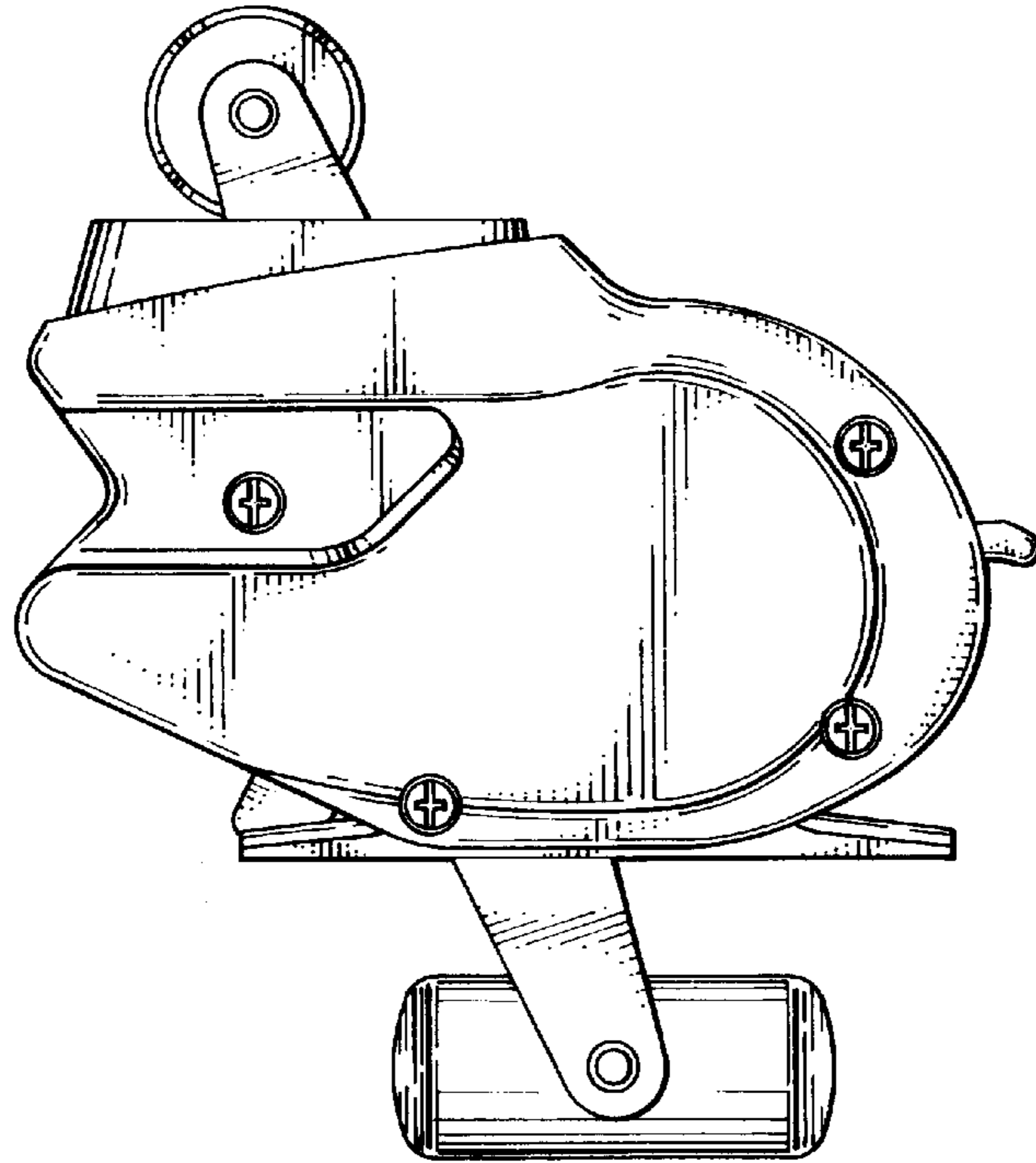


FIG. 3

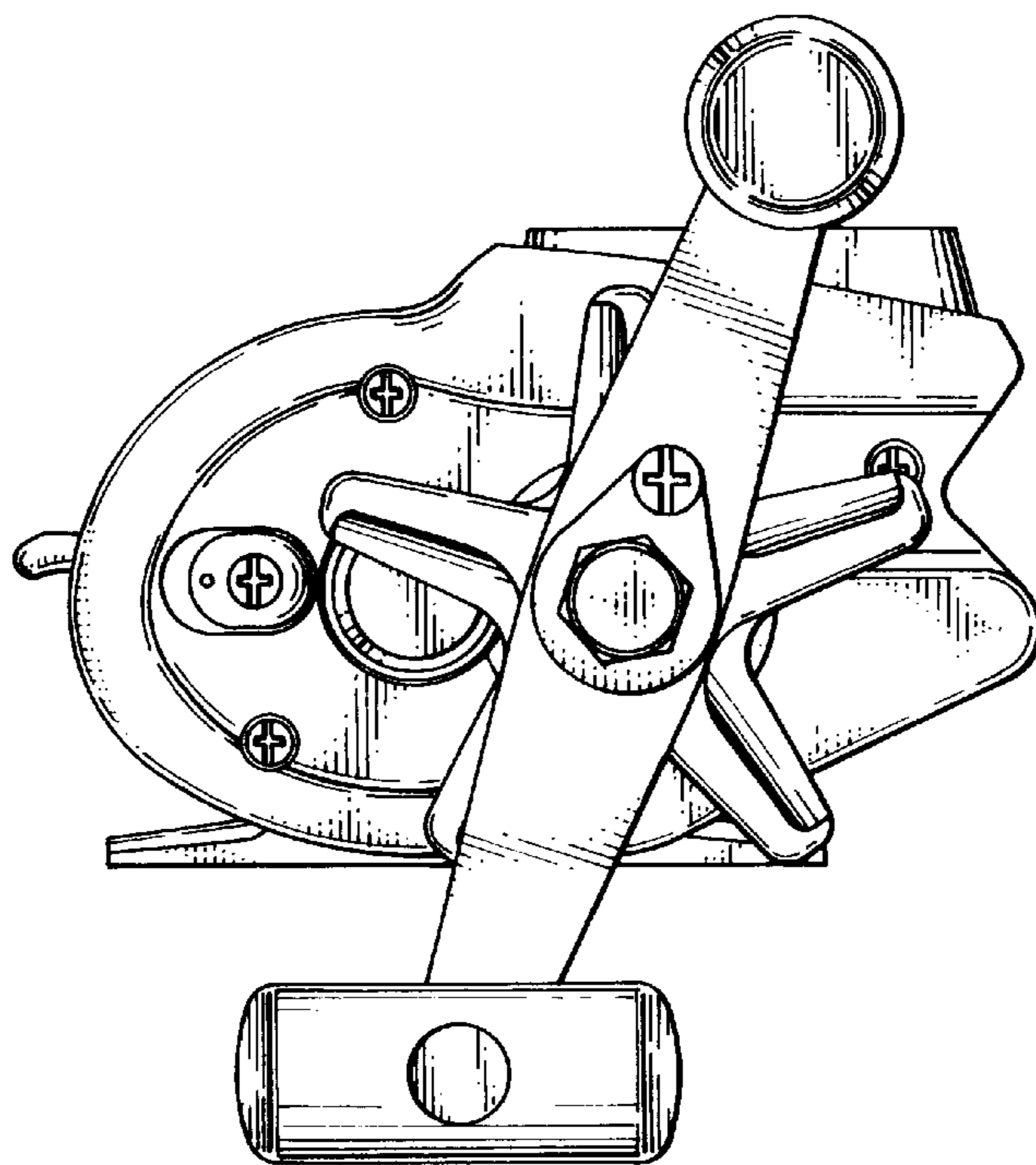


FIG. 4

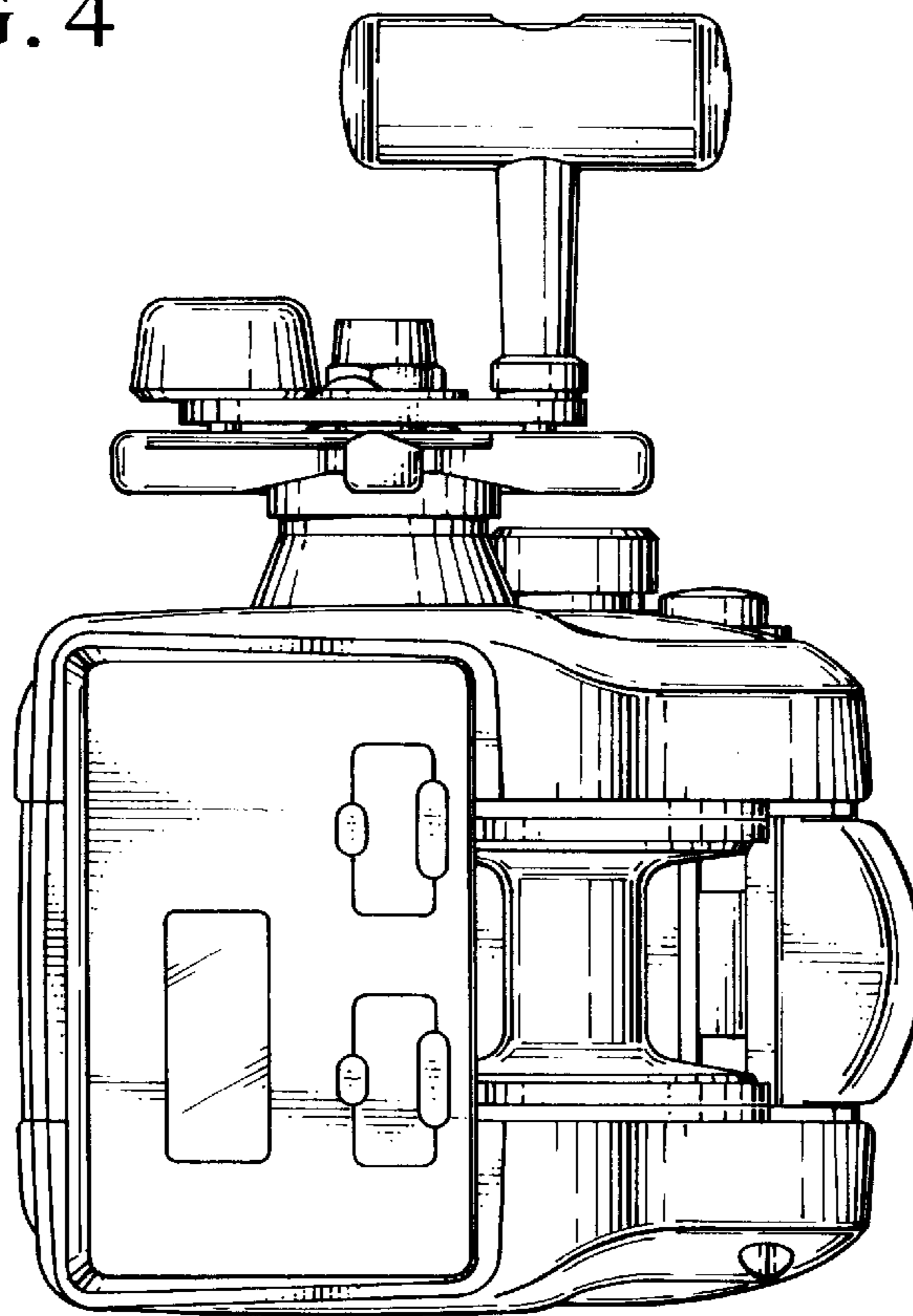


FIG. 5

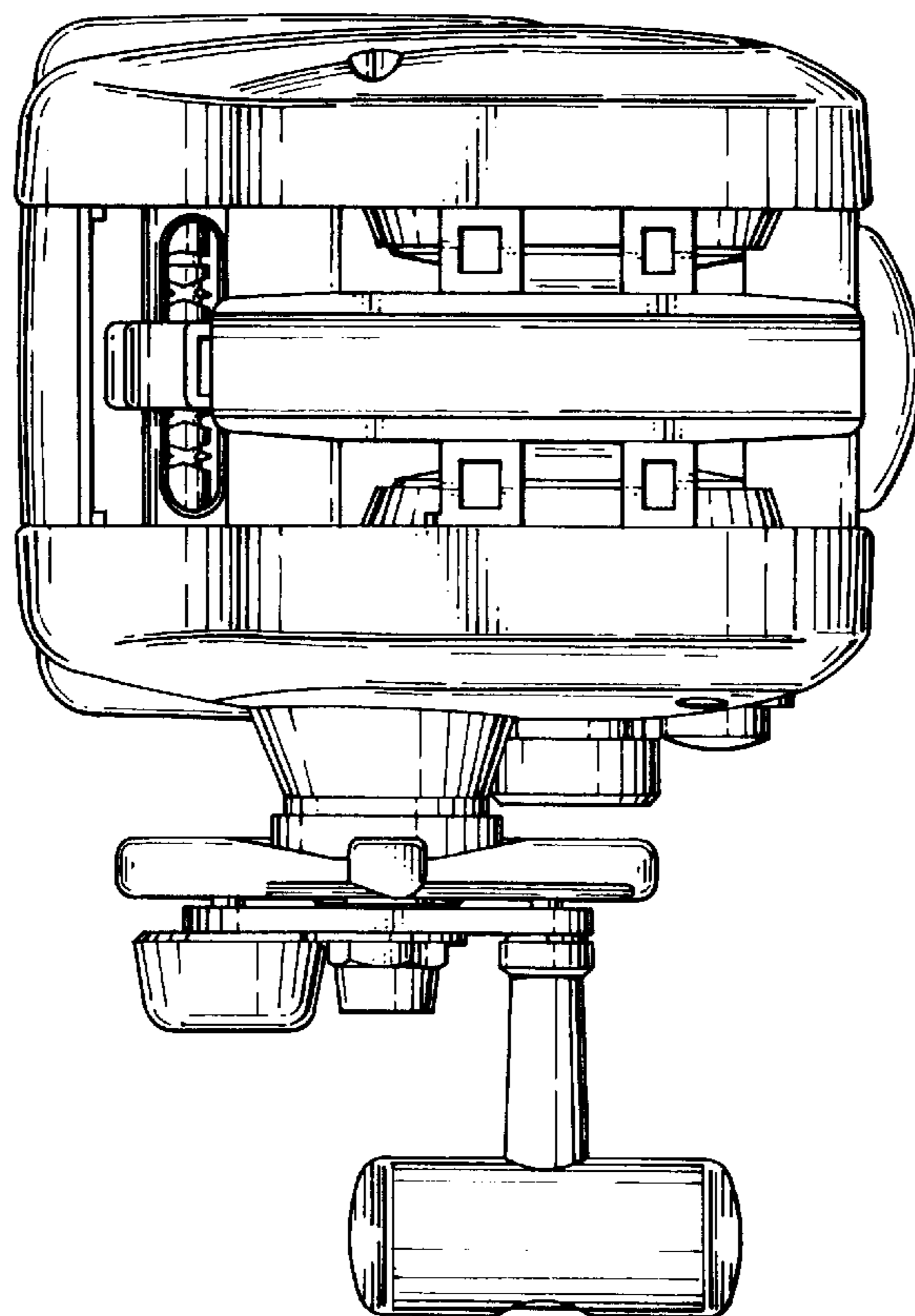


FIG. 6

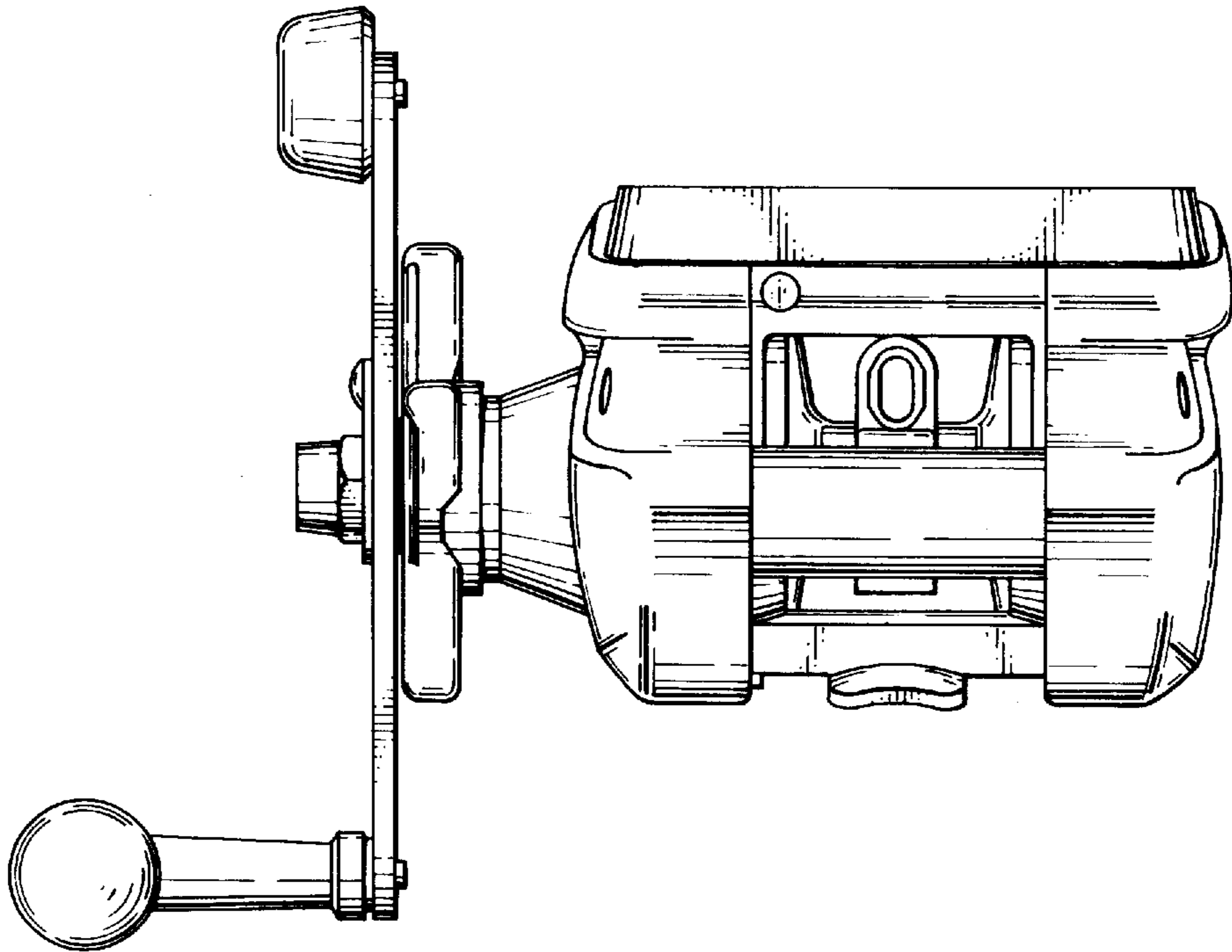


FIG. 7

