



US00D400637S

**United States Patent** [19]  
**Ohmura**

[11] **Patent Number: Des. 400,637**  
[45] **Date of Patent: \*\*Nov. 3, 1998**

[54] **SLIDING COVER FOR REEL SEAT OF FISHING ROD**

[75] Inventor: **Ryuichi Ohmura**, Shizuoka, Japan

[73] Assignee: **Fuji Kogyo Co., Ltd.**, Shizuoka-ken, Japan

[\*\*] Term: **14 Years**

[21] Appl. No.: **61,743**

[22] Filed: **Oct. 30, 1996**

[30] **Foreign Application Priority Data**

May 11, 1996 [JP] Japan ..... 8-13531

[51] **LOC (6) Cl.** ..... **22-05**

[52] **U.S. Cl.** ..... **D22/139**

[58] **Field of Search** ..... D22/137, 142,  
D22/139; 43/20, 22, 18.1

[56] **References Cited**

**U.S. PATENT DOCUMENTS**

- D. 196,517 10/1963 Chion .
- D. 288,112 2/1987 Childre ..... D22/142
- D. 288,113 2/1987 Childre ..... D22/142
- D. 288,114 2/1987 Childre ..... D22/142
- D. 294,625 3/1988 Rumbaugh et al. .... D22/142
- D. 294,626 3/1988 Rumbaugh et al. .... D22/142
- D. 294,628 3/1988 Rumbaugh ..... D22/142

- D. 301,049 5/1989 Lassi ..... D22/142
- D. 301,050 5/1989 Lassi ..... D22/142
- D. 302,845 8/1989 Rumbaugh et al. .... D22/142
- D. 302,846 8/1989 Rumbaugh et al. .... D22/142
- D. 302,847 8/1989 Rumbaugh et al. .... D22/142
- D. 319,283 8/1991 Shiozaki ..... D22/142
- 4,646,460 3/1987 Rumbaugh ..... 43/22

**OTHER PUBLICATIONS**

Orvis, Spring 1991, p. 21, Reel Seat "G."

*Primary Examiner*—Doris V. Coles

*Attorney, Agent, or Firm*—Evenson, McKeown, Edwards & Lenahan, P.L.L.C.

[57] **CLAIM**

The ornamental design for sliding cover for reel seat of fishing rod, as shown and described.

**DESCRIPTION**

FIG. 1 is a perspective view of sliding cover for reel seat of fishing rod embodying my new design;  
FIG. 2 is a top plan view thereof;  
FIG. 3 is a front elevational view thereof;  
FIG. 4 is a left side elevational view thereof; and,  
FIG. 5 is a right side elevational view thereof.  
The bottom view is a mirror image of the top view, and the rear view is a mirror image of the front view;

**1 Claim, 1 Drawing Sheet**

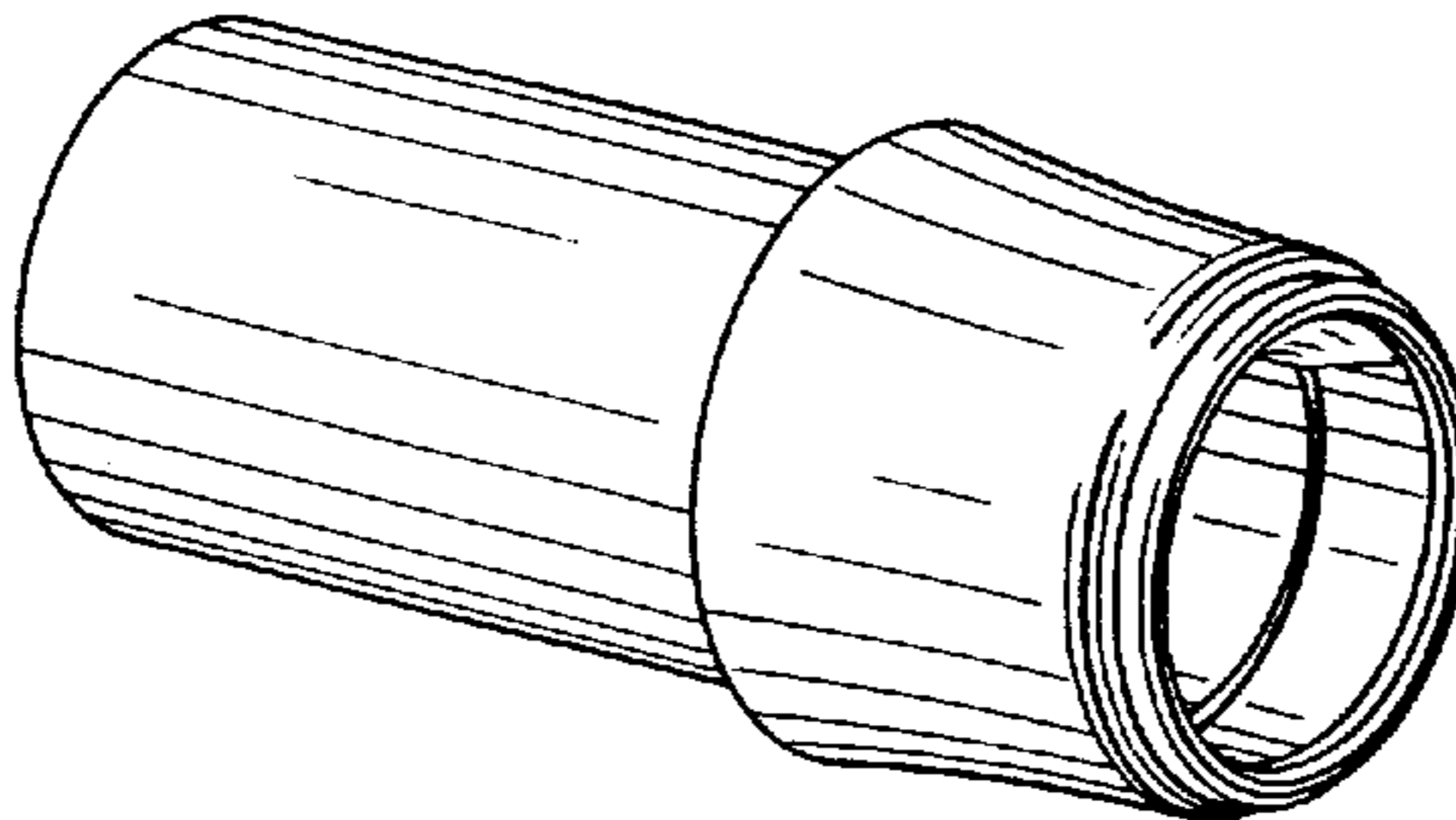


FIG. 1

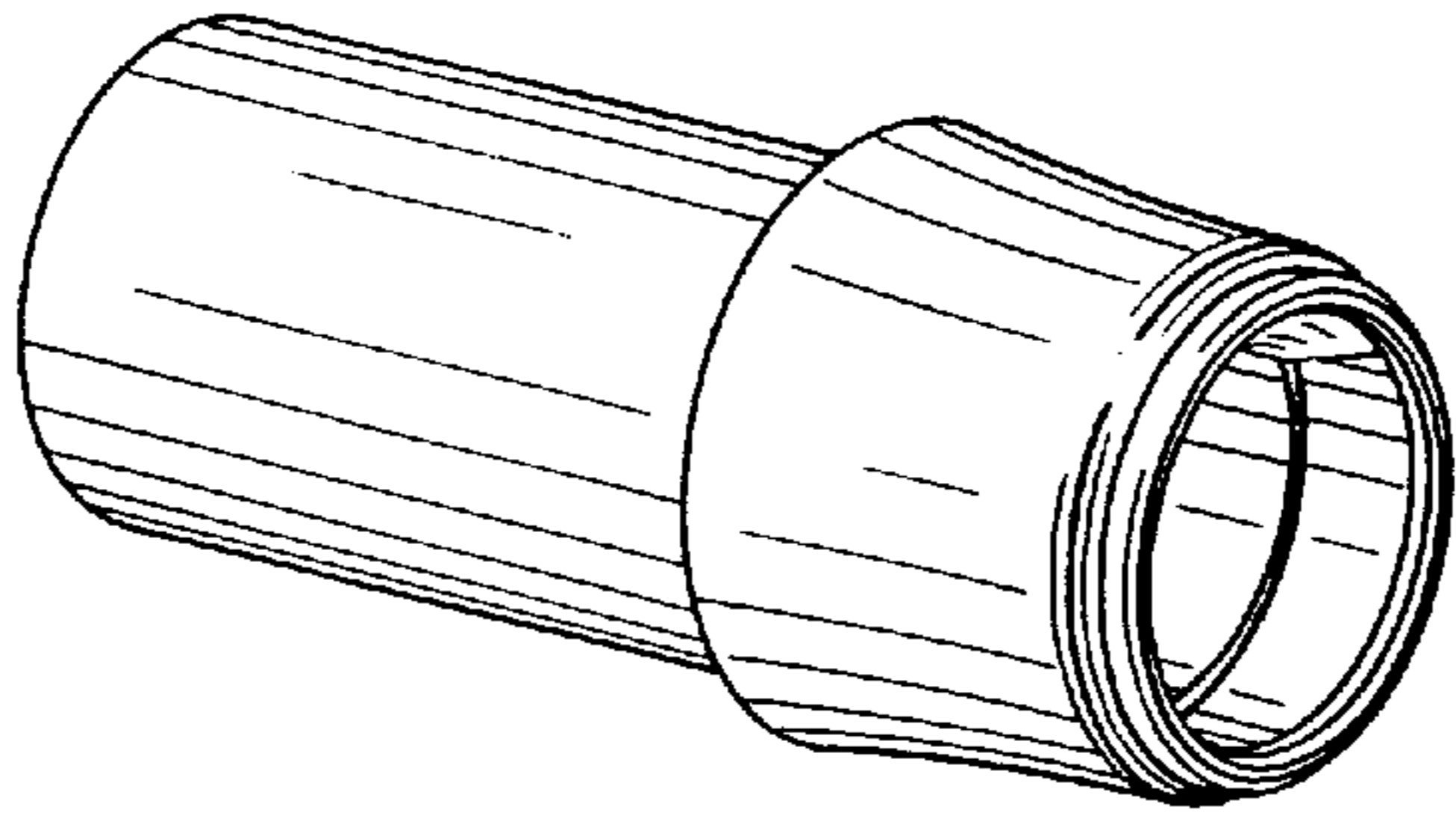


FIG. 2

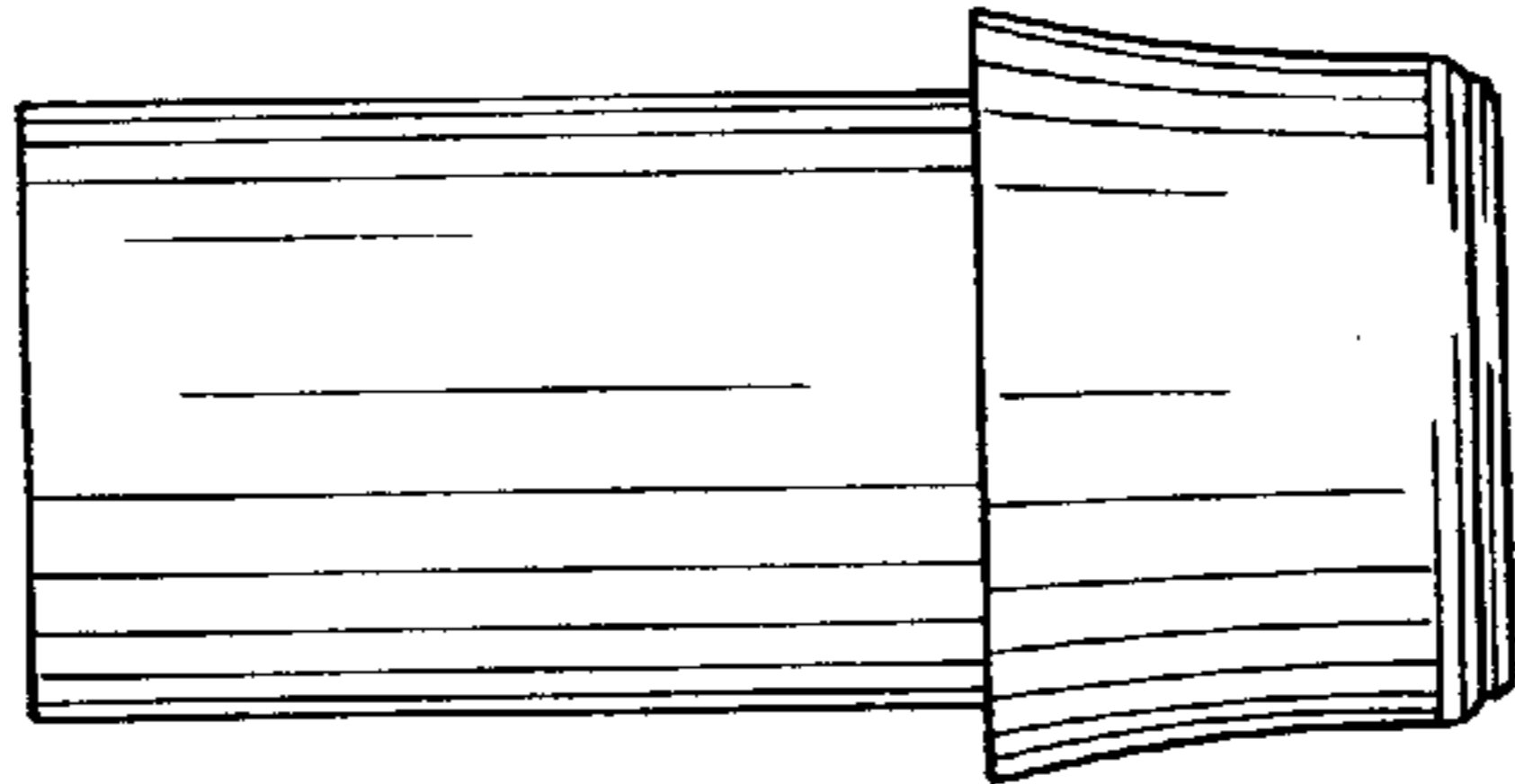


FIG. 3

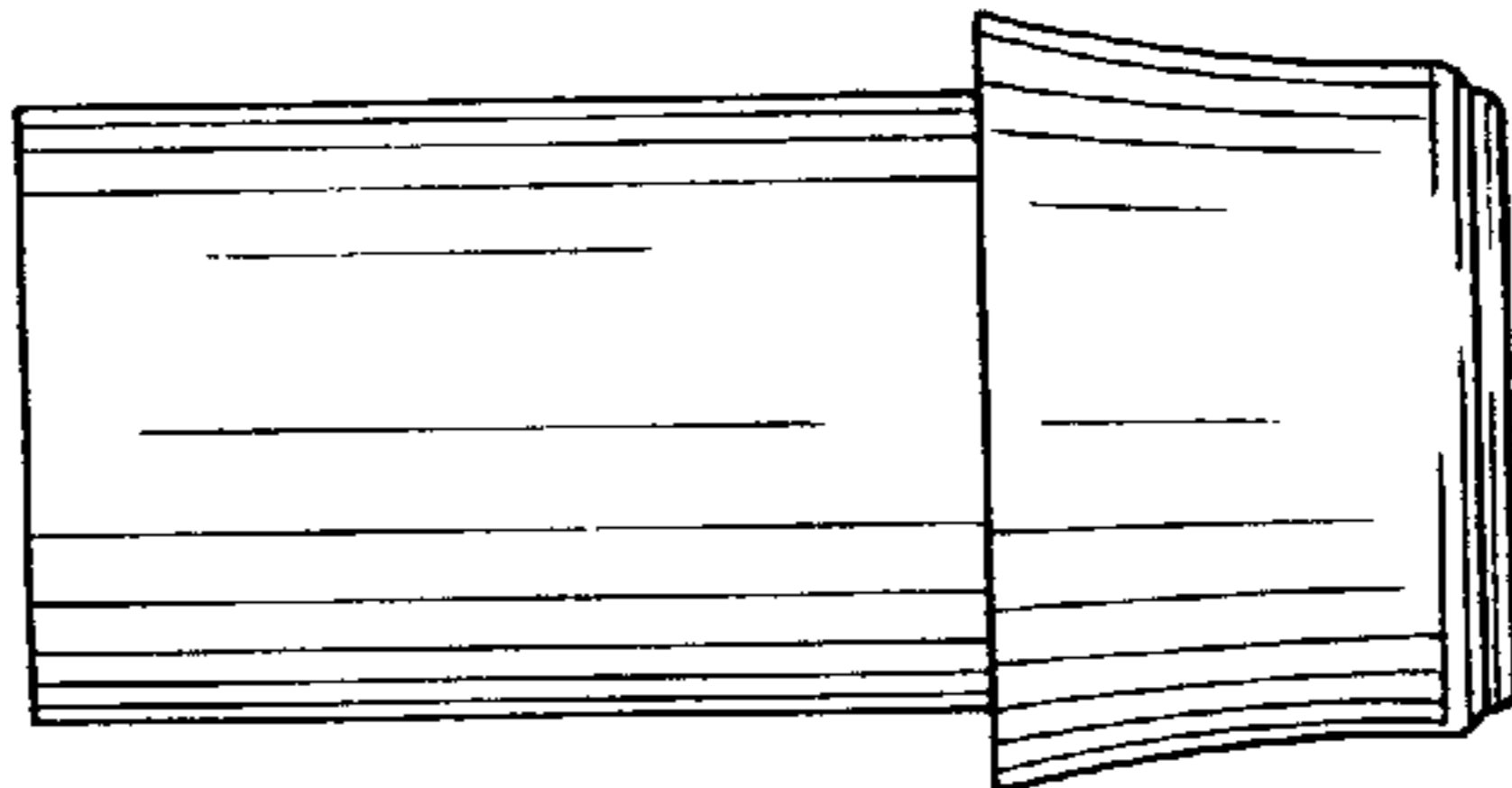


FIG. 4

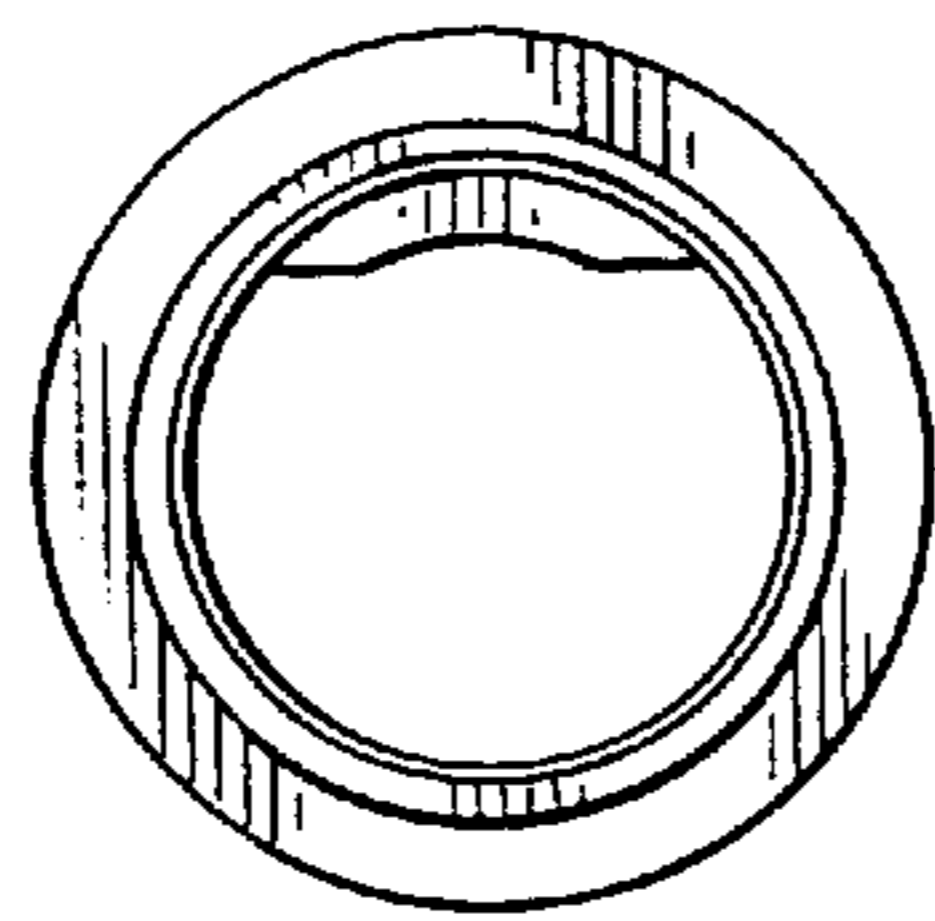


FIG. 5

