



US00D400635S

United States Patent [19]

Kinzler et al.

[11] **Patent Number:** **Des. 400,635**

[45] **Date of Patent:** ****Nov. 3, 1998**

[54] **INSECT EXTERMINATOR**

[76] Inventors: **Susan Kinzler; Aron Chruscielski,**
both of 605 Partridge Ave. S., Glyndon,
Minn. 56547

[**] Term: **14 Years**

[21] Appl. No.: **60,457**

[22] Filed: **Sep. 30, 1996**

[51] **LOC (6) Cl.** **22-06**

[52] **U.S. Cl.** **D22/122**

[58] **Field of Search** D22/122, 119,
D22/123; 43/131, 112, 113; 362/396, 431,
347; 248/530, 156, 545

[56] **References Cited**

U.S. PATENT DOCUMENTS

D. 292,306	10/1987	Rottenberg	D22/123
D. 375,136	10/1996	Poore	D22/123
4,182,069	1/1980	De Yoreo	43/112
4,774,648	9/1988	Kakuk et al.	248/530 X

5,297,013	3/1994	Hall et al.	362/431 X
5,398,180	3/1995	Lee	362/431
5,488,550	1/1996	Yang	362/431 X
5,597,229	1/1997	Plichta et al.	362/396 X

Primary Examiner—Doris V. Coles
Attorney, Agent, or Firm—Harold H. Dutton, Jr.

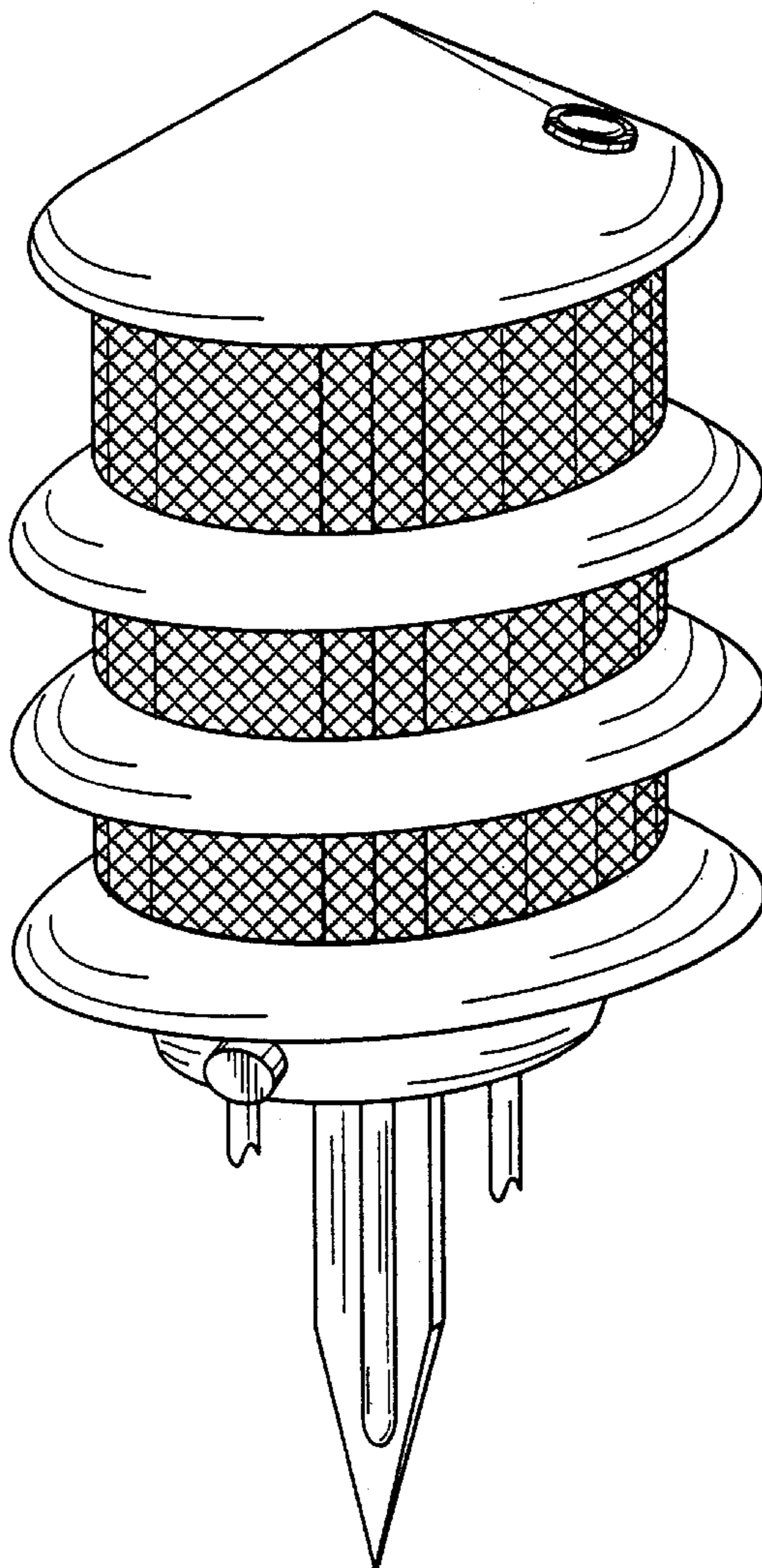
[57] **CLAIM**

The ornamental design for an insect exterminator, as shown.

DESCRIPTION

FIG. 1 is a perspective view of an insect exterminator showing our new design; FIG. 2 is a front view thereof; FIG. 3 is a rear view thereof; FIG. 4 is a right view thereof; FIG. 5 is a left view thereof; FIG. 6 is a top view thereof; and, FIG. 7 is a bottom view thereof. The cord is shown broken away in the drawings for convenience of illustration.

1 Claim, 4 Drawing Sheets



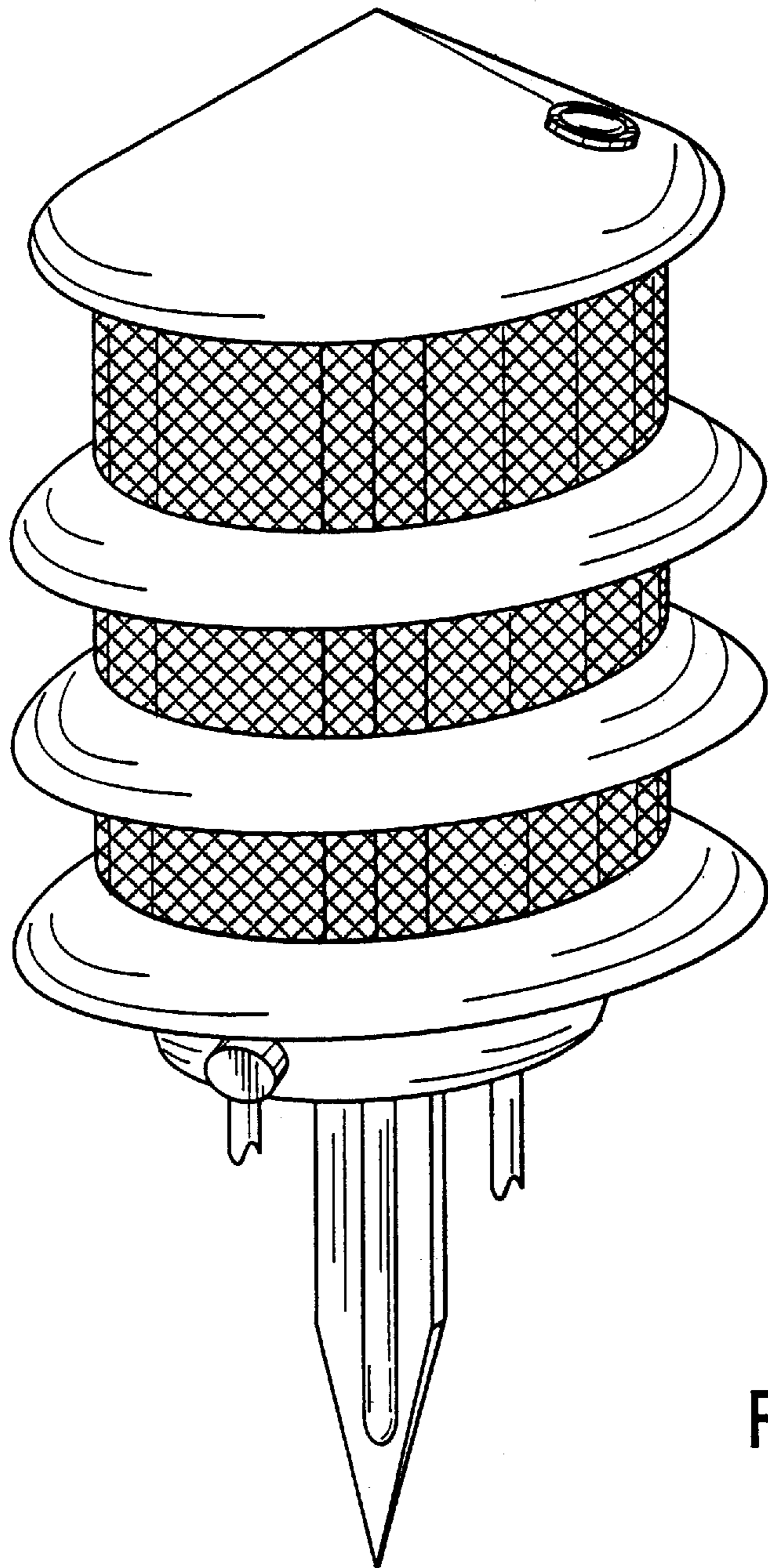


FIG. 1

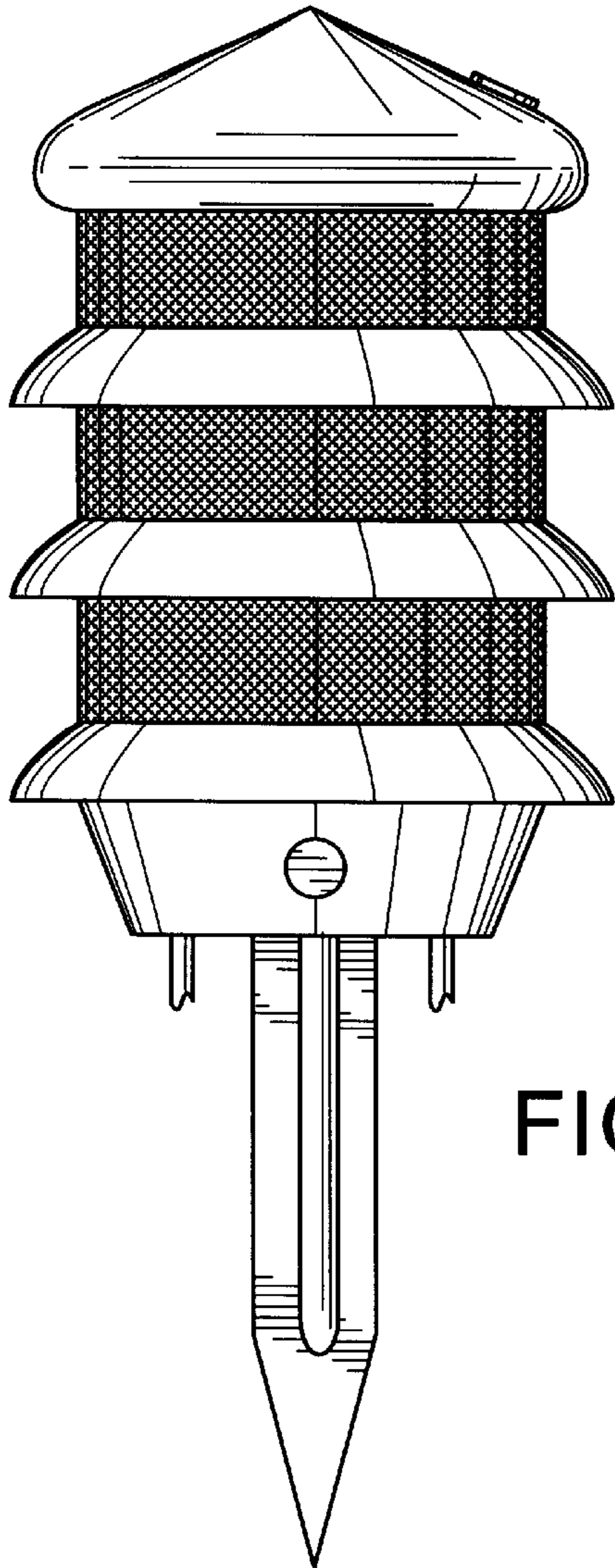


FIG. 2

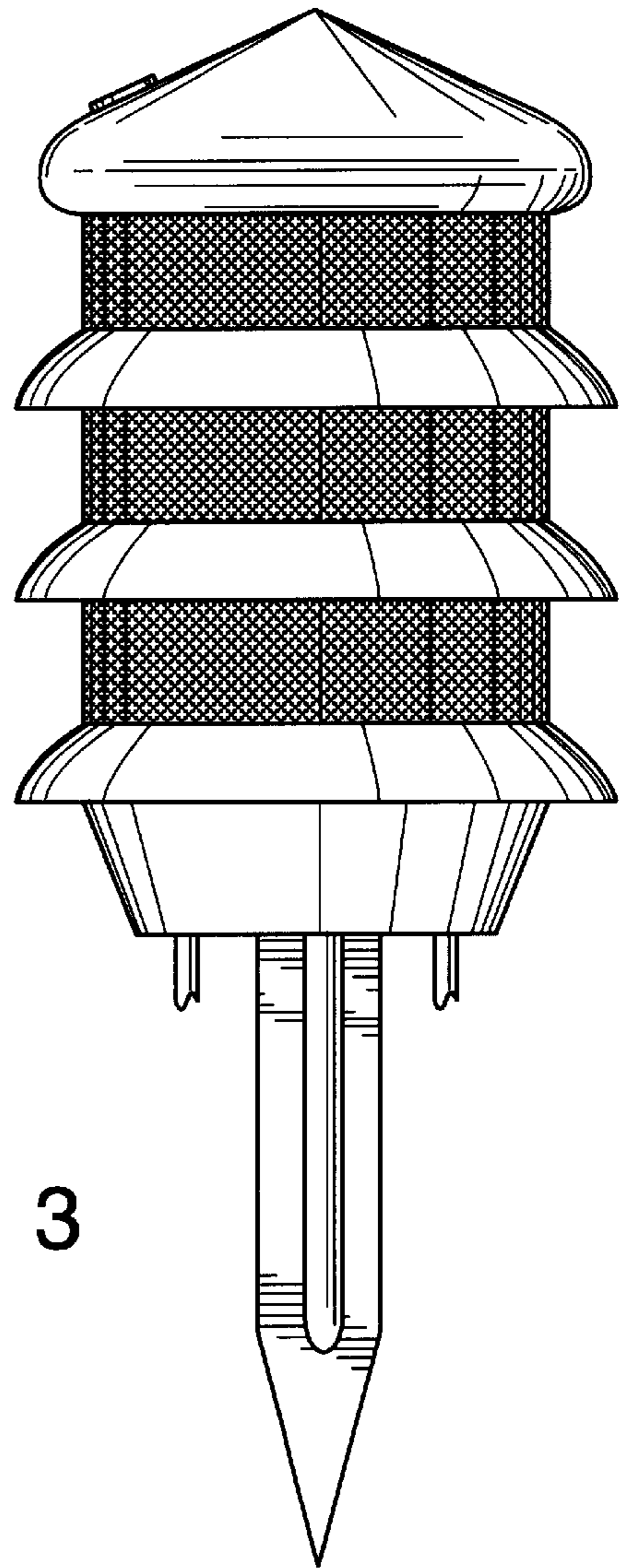


FIG. 3

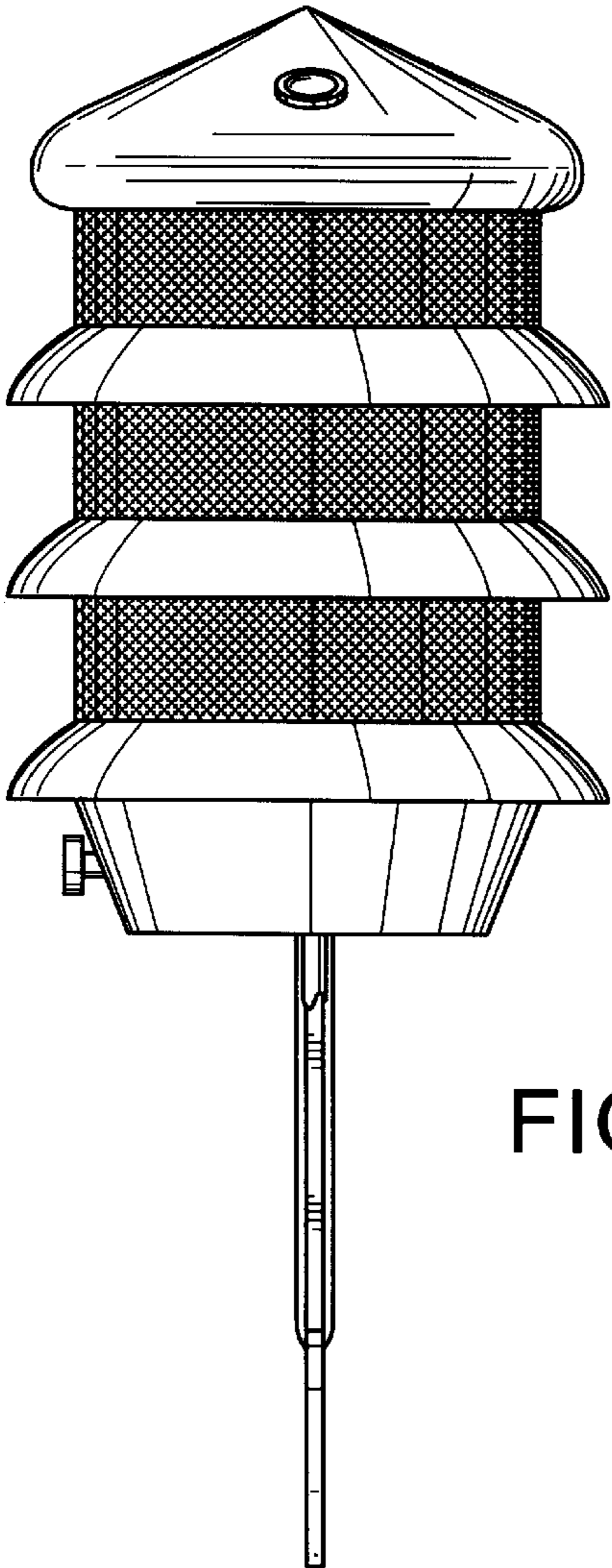


FIG. 4

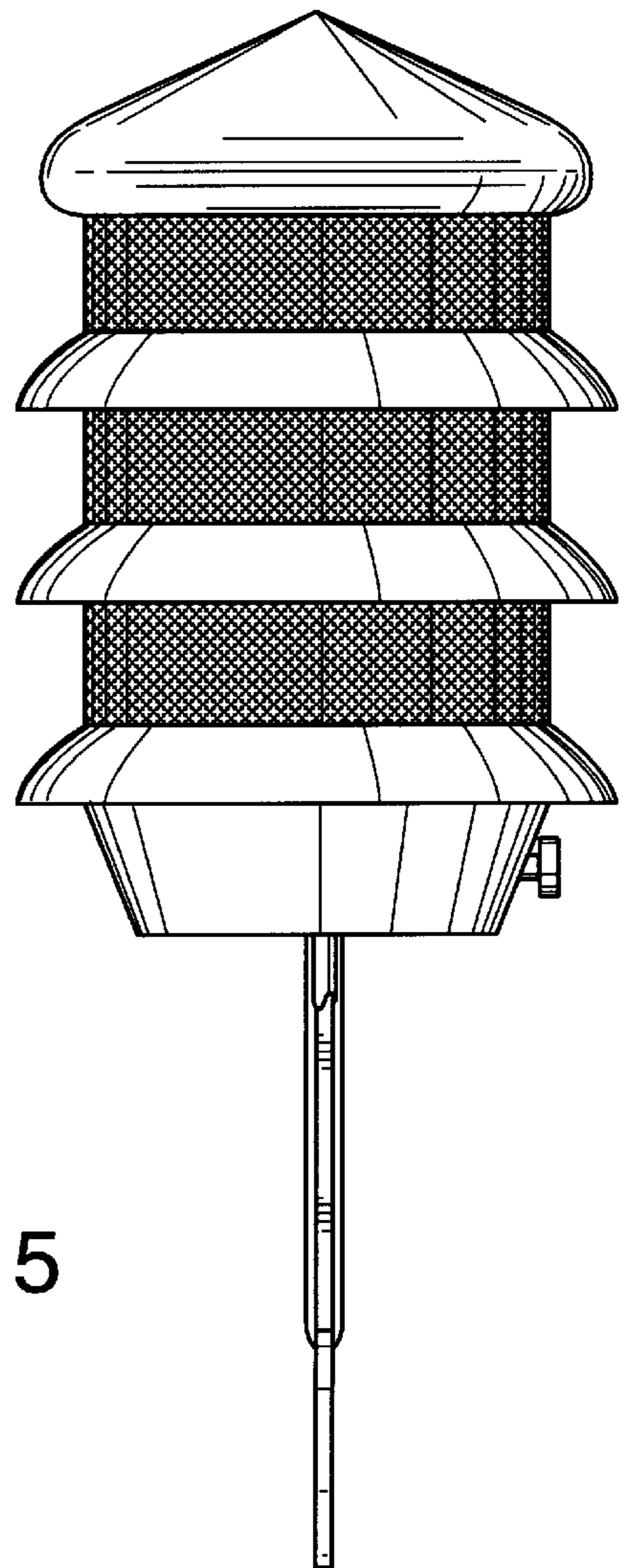


FIG. 5

FIG. 6

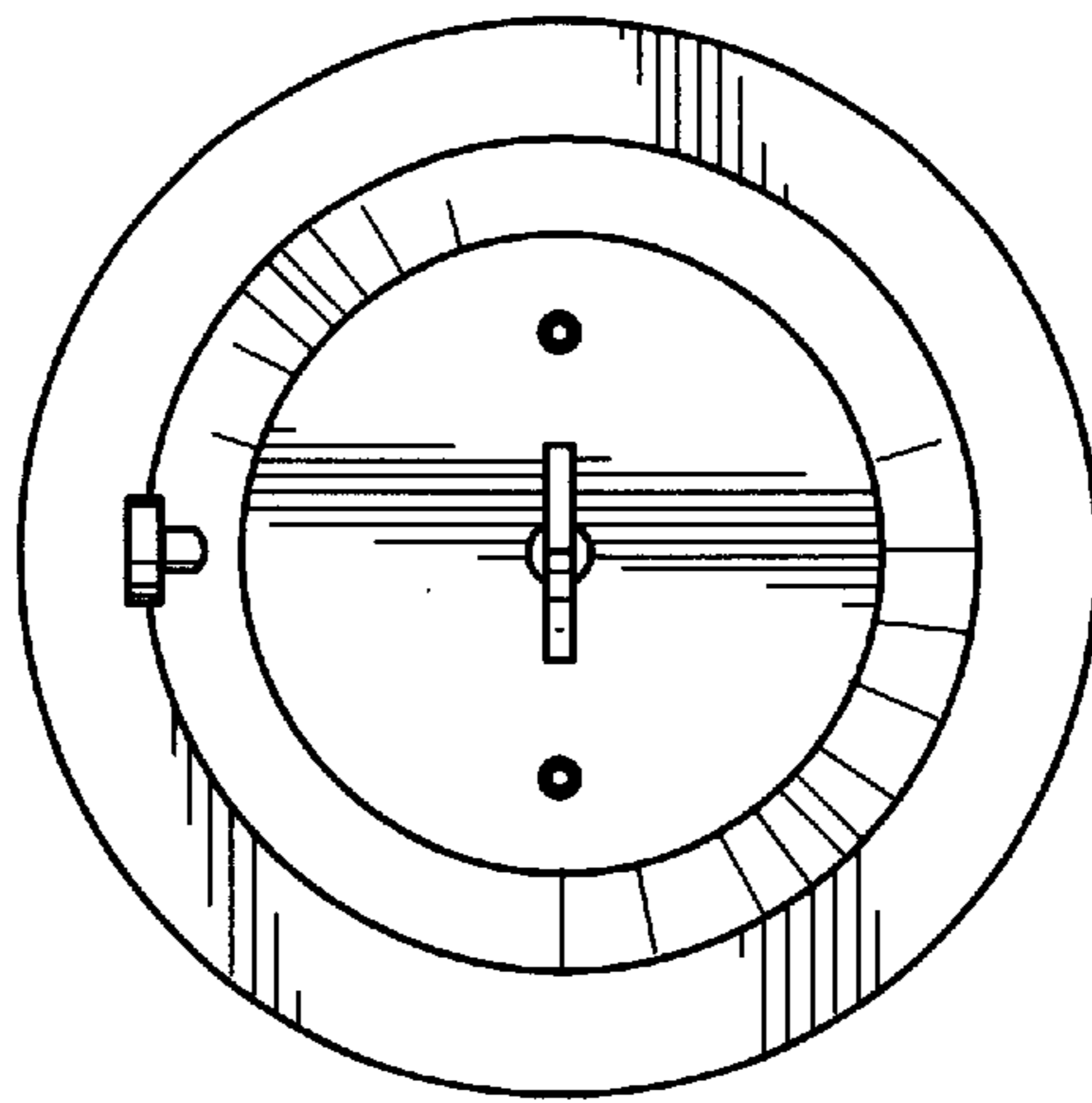
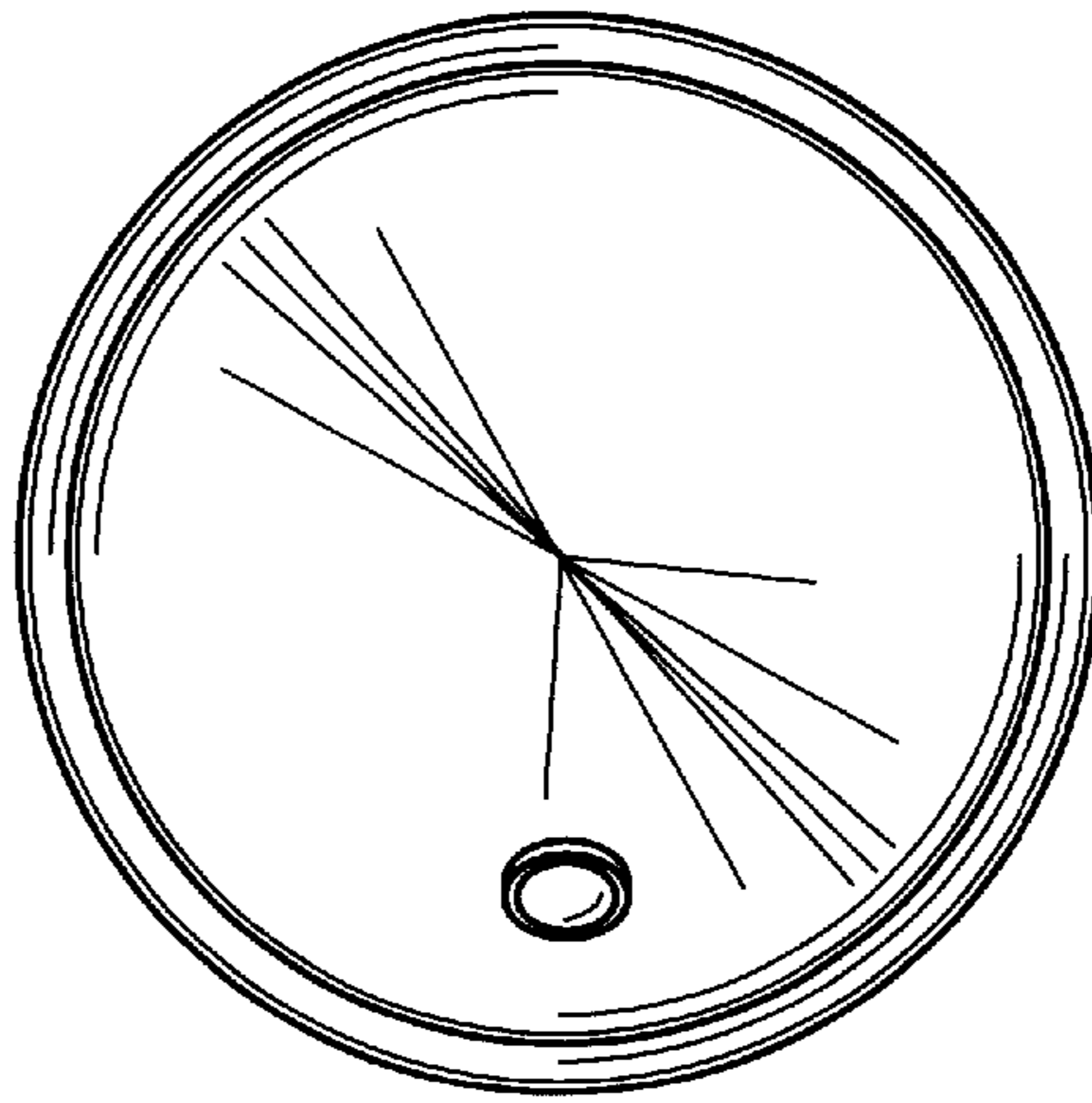


FIG. 7