



US00D400633S

United States Patent [19]
Chapman

[11] **Patent Number: Des. 400,633**

[45] **Date of Patent: **Nov. 3, 1998**

[54] **HANDGUN**

4,489,515 12/1984 Numbers 42/1
4,722,148 2/1988 Walker 42/69.01

[76] Inventor: **Daniel L. Chapman**, P.O. Box 710316,
Santee, Calif. 92072-0316

OTHER PUBLICATIONS

[**] Term: **14 Years**

Hogg, Ian V. "Pistol", upper left corner, *The Illustrated Encyclopedia of Firearms*, Chartwell Books Inc., Secaucus, NJ, 1988, p. 170.

[21] Appl. No.: **63,221**

[22] Filed: **Nov. 30, 1996**

Primary Examiner—Louis S. Zarfes
Assistant Examiner—Monica A. Weingart

[51] **LOC (6) Cl.** **22-01**

[52] **U.S. Cl.** **D22/104; D22/103; D22/100**

[58] **Field of Search** D22/100, 104,
D22/199; D21/145, 146, 147; 42/40, 41,
42.01, 42.02, 42.03, 43, 44, 45, 57, 69.01,
71.02, 72, 100; 124/31, 37

[57] **CLAIM**

The ornamental design for a handgun, as shown and described.

[56] **References Cited**

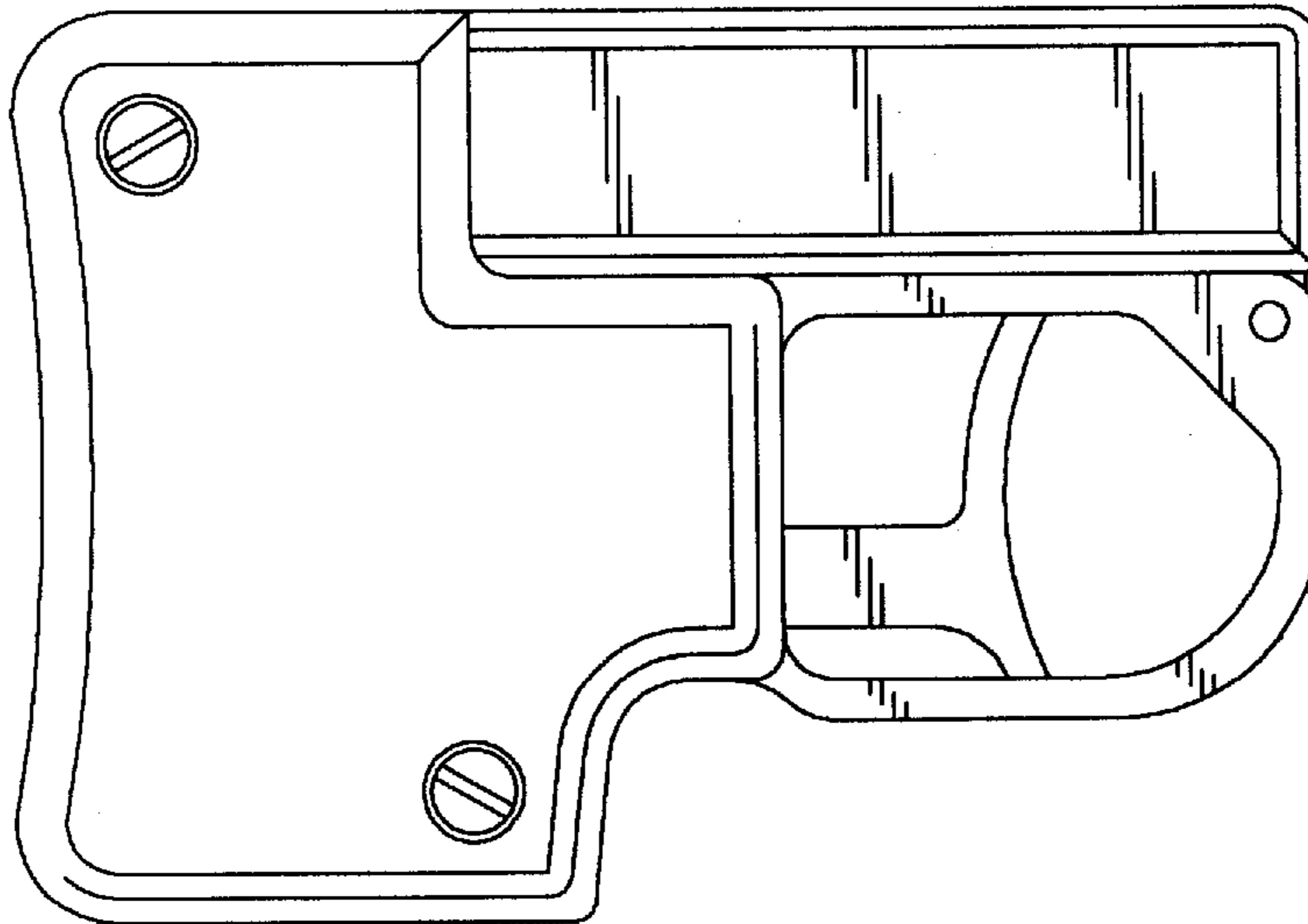
DESCRIPTION

U.S. PATENT DOCUMENTS

D. 363,107	10/1995	Sanford	D22/100
1,691,237	11/1928	Frisbie	42/57
1,853,834	4/1932	Peake	42/57
2,039,930	5/1936	Rickenbacher	42/57
2,085,412	6/1937	Bixler	42/57
2,137,154	11/1938	Brubaker	42/57

FIG. 1 is a right side elevational view of a handgun showing my new design;
FIG. 2 is a front elevational view thereof;
FIG. 3 is a top plan view thereof;
FIG. 4 is a right side elevational view thereof;
FIG. 5 is a rear elevational view thereof; and,
FIG. 6 is a bottom plan view thereof.

1 Claim, 2 Drawing Sheets



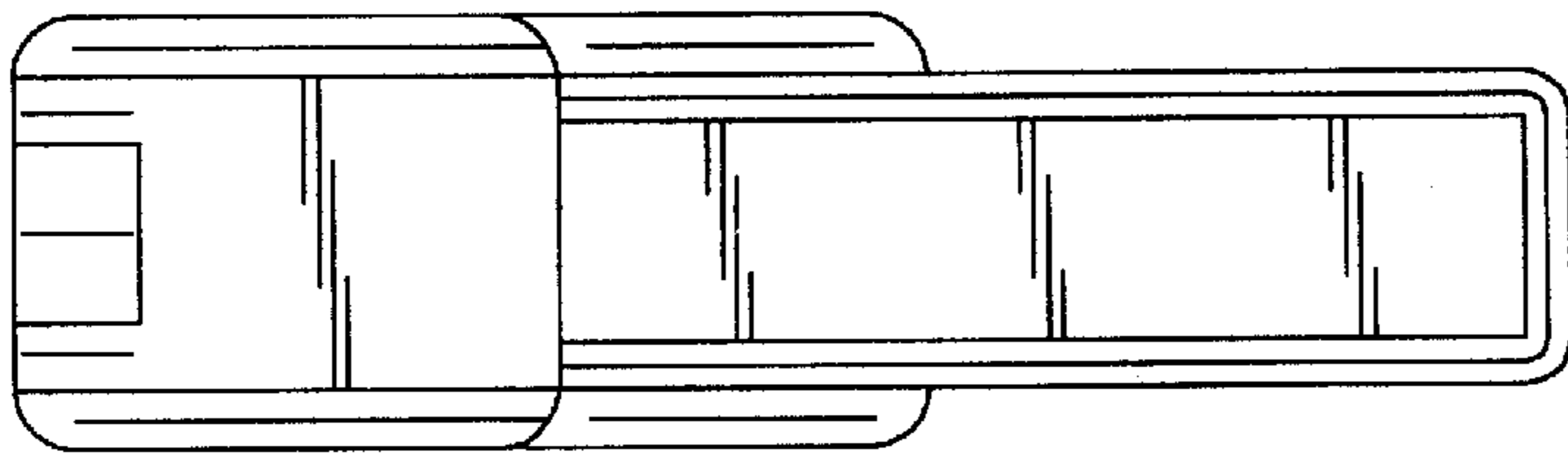


FIG. 3

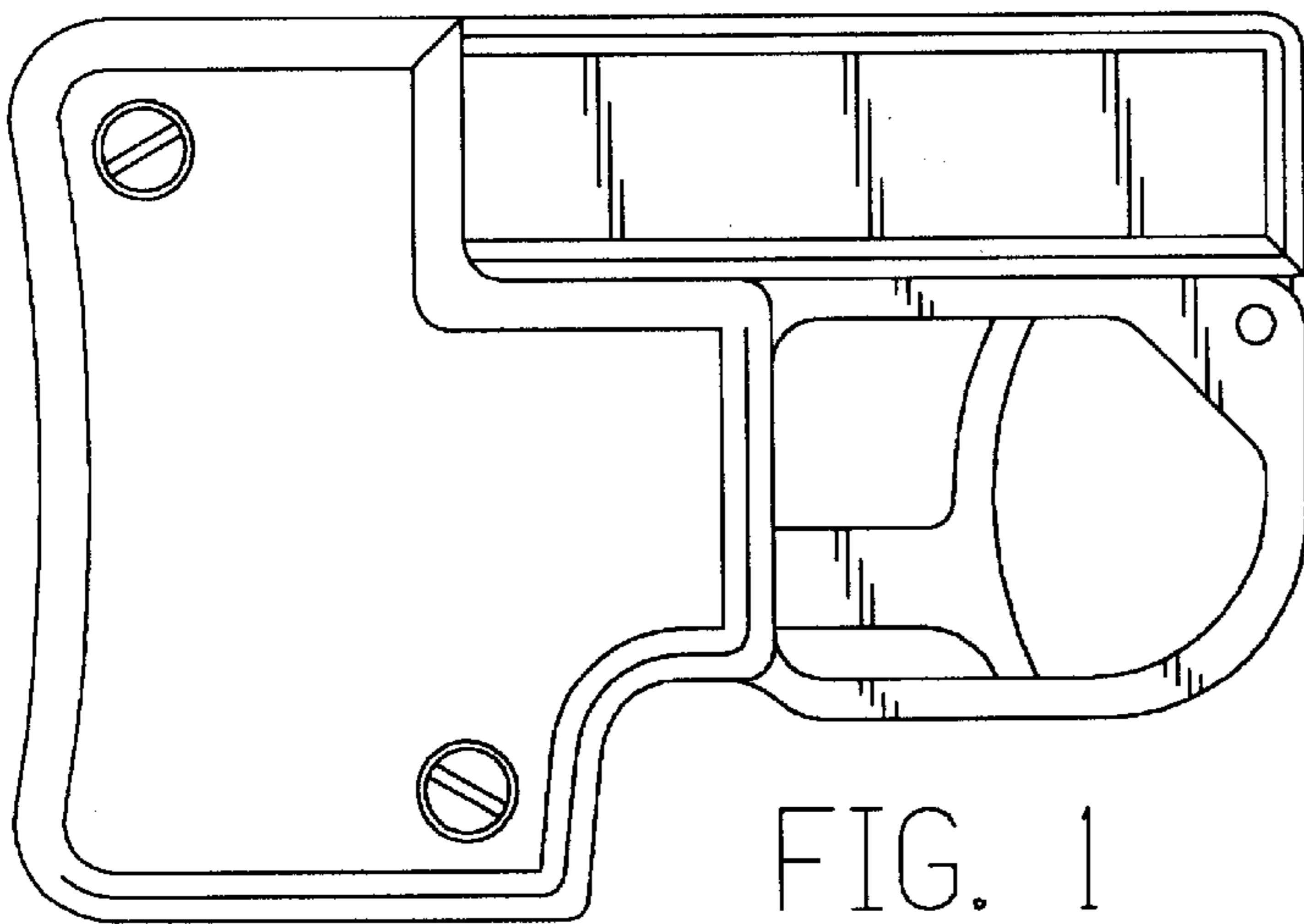
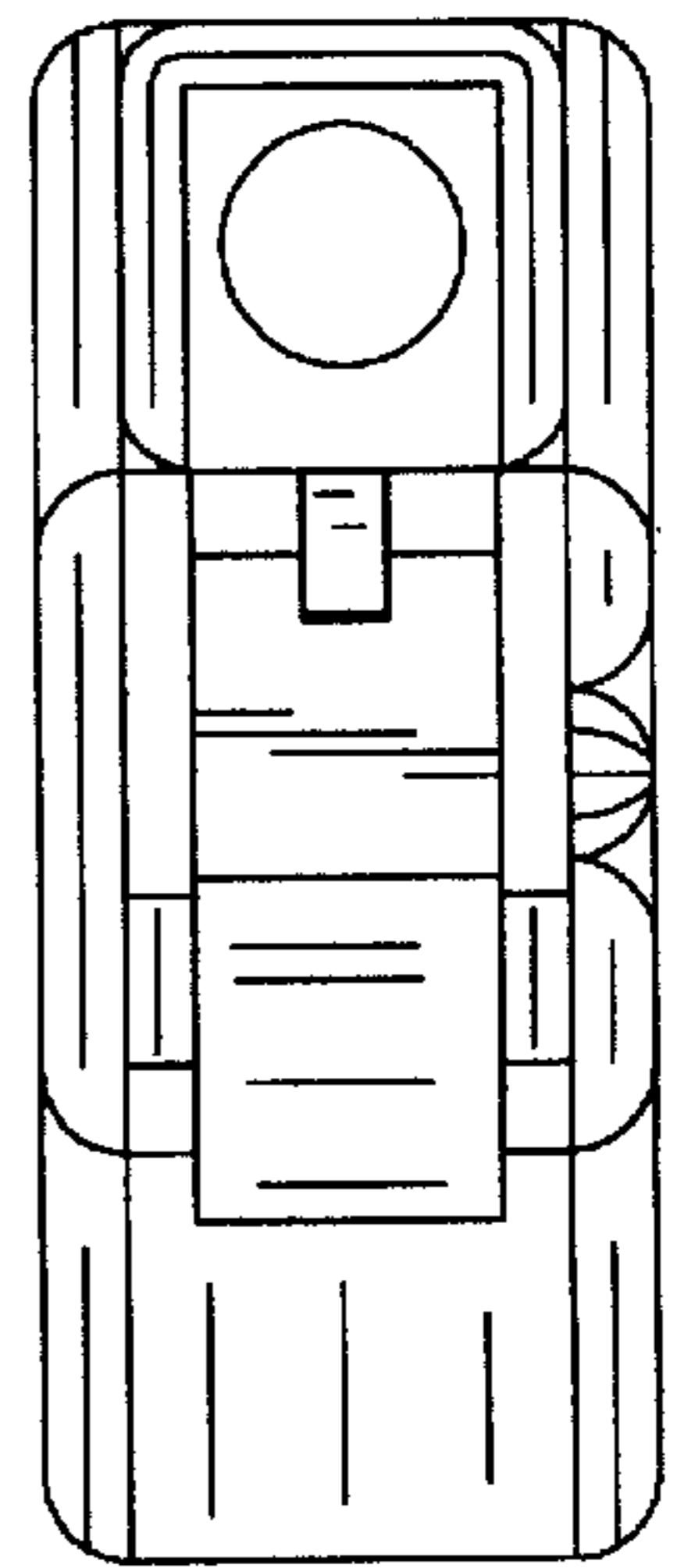


FIG. 1

FIG. 2



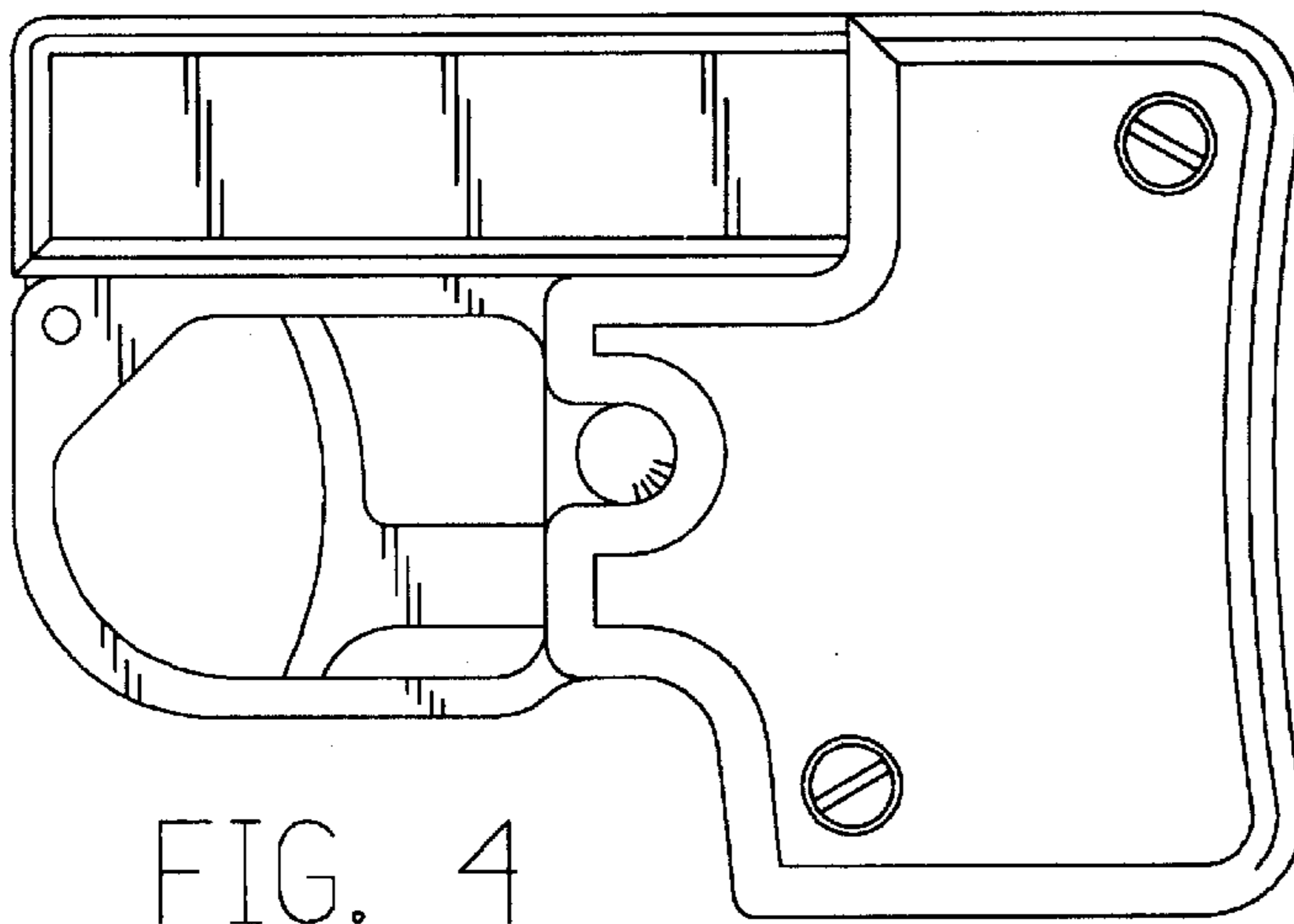


FIG. 4

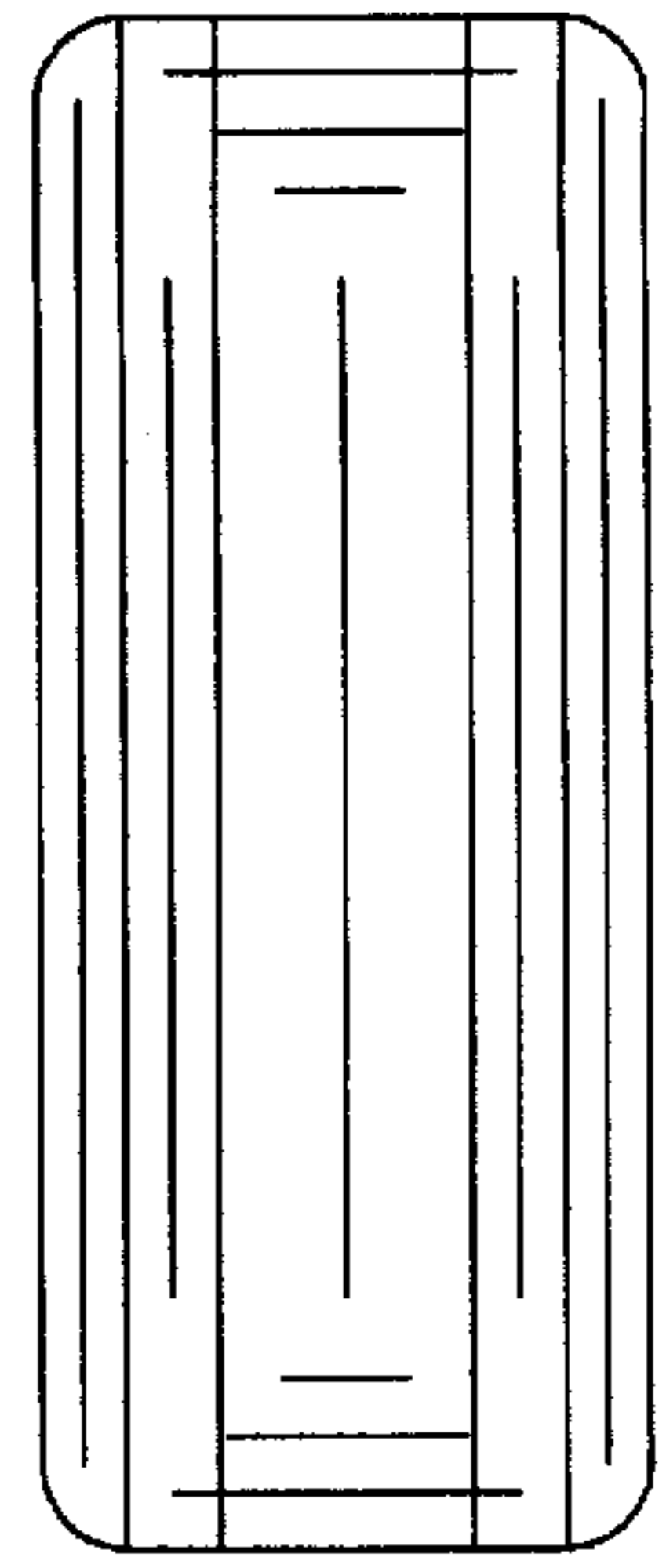


FIG. 5

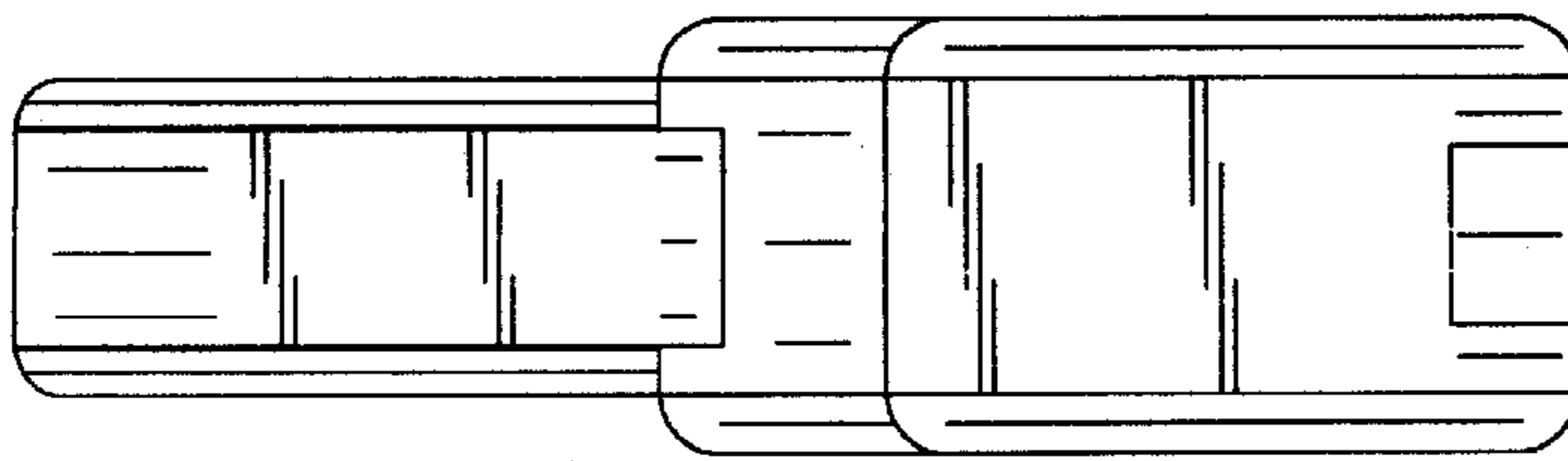


FIG. 6