



US00D400631S

United States Patent [19] Moore

[11] **Patent Number:** **Des. 400,631**
[45] **Date of Patent:** ****Nov. 3, 1998**

[54] **GOLF PUTTING PRACTICING DEVICE**

[76] Inventor: **Rufus T. Moore**, 1309 St. Johns Bluff Rd. N., Jacksonville, Fla. 32225

[**] Term: **14 Years**

[21] Appl. No.: **79,207**

[22] Filed: **Nov. 14, 1997**

[51] **LOC (6) Cl.** **21-02**

[52] **U.S. Cl.** **D21/791**

[58] **Field of Search** D21/717, 789,
D21/790, 791, 792; 473/173, 176, 180-183,
189

[56] **References Cited**

U.S. PATENT DOCUMENTS

D. 141,390	5/1945	Welsh .	
D. 196,657	10/1963	Cohen	D21/791
D. 196,846	11/1963	Niamtu	D21/791
D. 211,651	7/1968	Cohen	D21/791
D. 273,126	3/1984	Turza et al. .	
D. 346,831	5/1994	Adams	D21/791
D. 353,433	12/1994	Erdoes et al.	D21/792
D. 385,610	10/1997	McDonald .	
884,277	4/1908	Hughes .	
1,094,236	4/1914	Minshall .	
1,287,903	12/1918	Daily .	
1,417,458	5/1922	Cory	473/189
1,798,140	3/1931	Byers	473/184
1,903,480	4/1933	Ryan .	
2,908,503	10/1959	Austin et al.	473/183
2,938,729	5/1960	Billfaldt .	
3,086,779	4/1963	Taylor .	
3,424,464	1/1969	Greenhouse .	
3,610,631	10/1971	Mulherin .	

4,148,487	4/1979	Bouve .
4,429,882	2/1984	Stanton .
4,728,106	3/1988	Shore .
4,861,033	8/1989	Miner .
4,878,671	11/1989	Gubany .
4,906,006	3/1990	Sigunick .
5,013,042	5/1991	Garnes .
5,040,799	8/1991	Manziona .
5,205,559	4/1993	Plopper .
5,275,404	1/1994	Dimaano et al. .
5,282,626	2/1994	Millar .

Primary Examiner—Ted Shooman
Assistant Examiner—Mitchell I. Siegel
Attorney, Agent, or Firm—Banner & Witcoff, LTD.

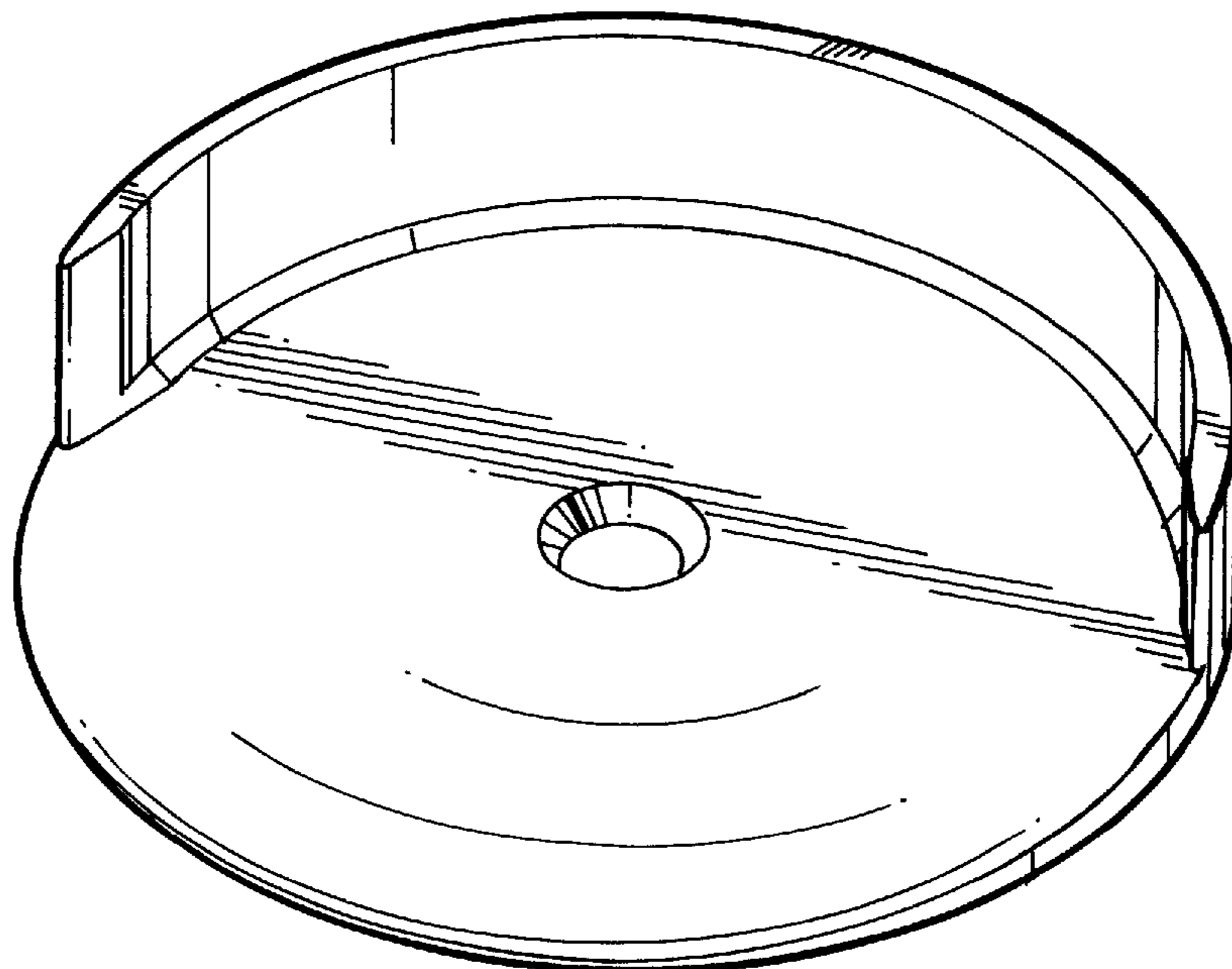
[57] **CLAIM**

The ornamental design for a golf putting practicing device, as shown and described.

DESCRIPTION

FIG. 1 is a perspective view of a golf putting practicing device showing new new design;
FIG. 2 is a top plan view thereof;
FIG. 3 is a bottom plan view thereof;
FIG. 4 is a side elevational view thereof;
FIG. 5 is a front elevational view thereof;
FIG. 6 is a rear elevational view thereof;
FIG. 7 is a perspective view of a second embodiment of the golf putting practice device as disclosed in FIG. 1.
FIG. 8 is a top plan view of the golf putting practicing device of FIG. 7; and,
FIG. 9 is a front elevational view of the golf putting practicing device of FIG. 7.
The undisclosed sides of the second embodiment are identical to those disclosed in the first embodiment.

1 Claim, 4 Drawing Sheets



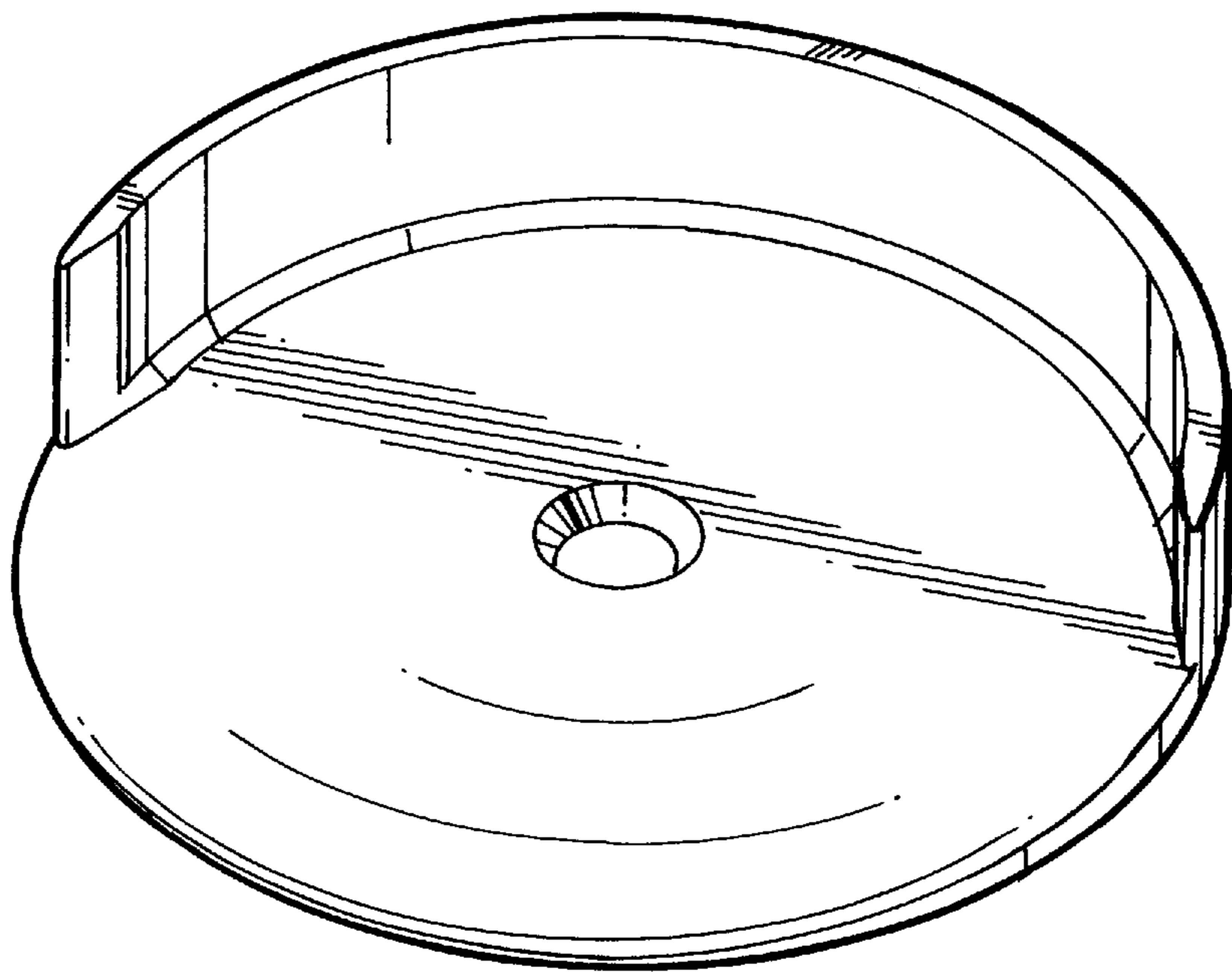


FIG. 1

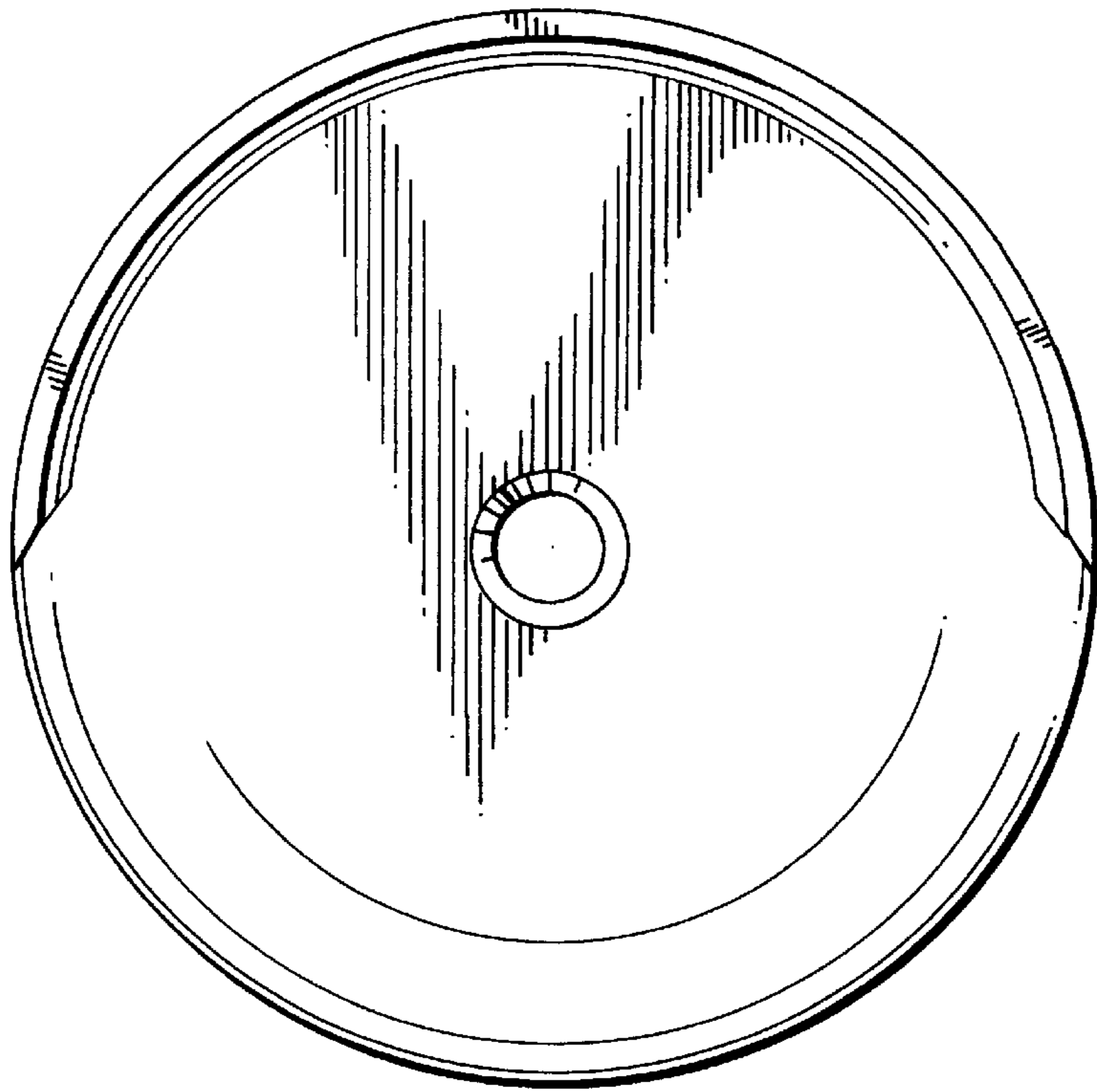


FIG. 2

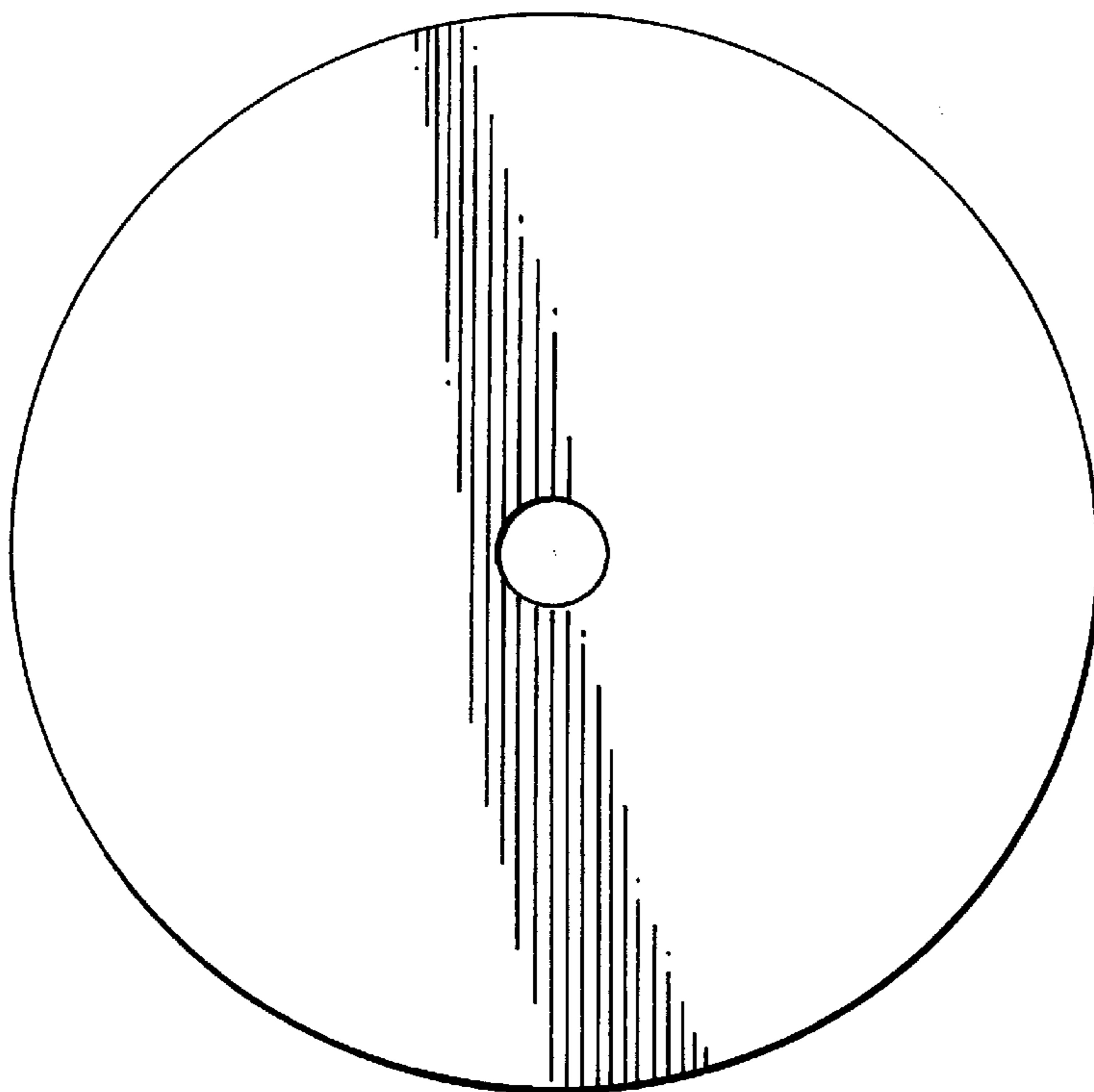


FIG. 3

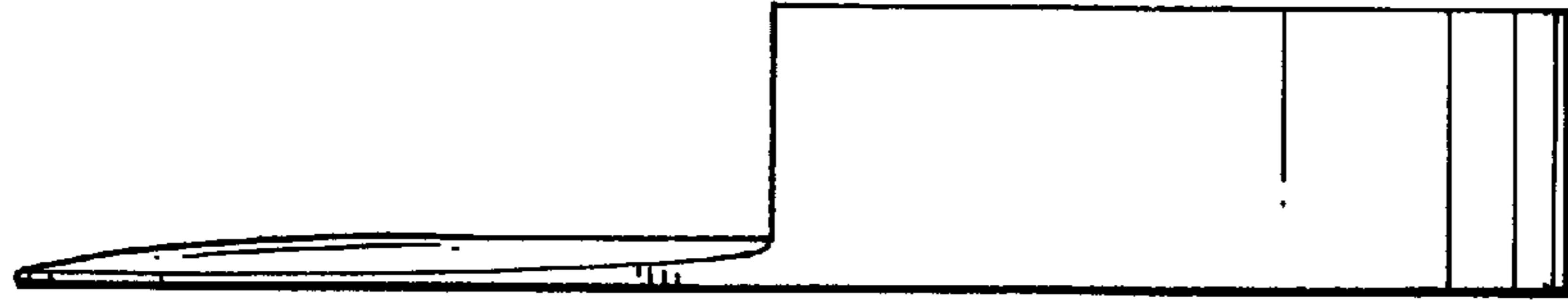


FIG. 4

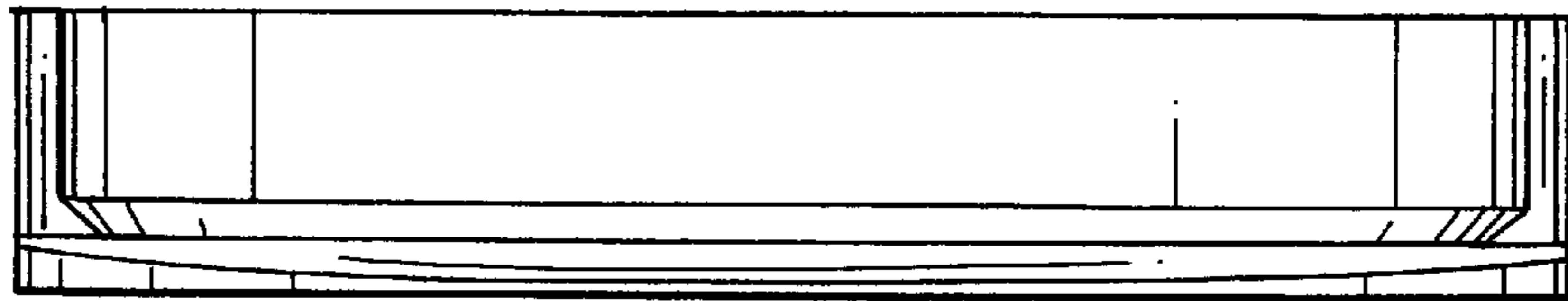


FIG. 5

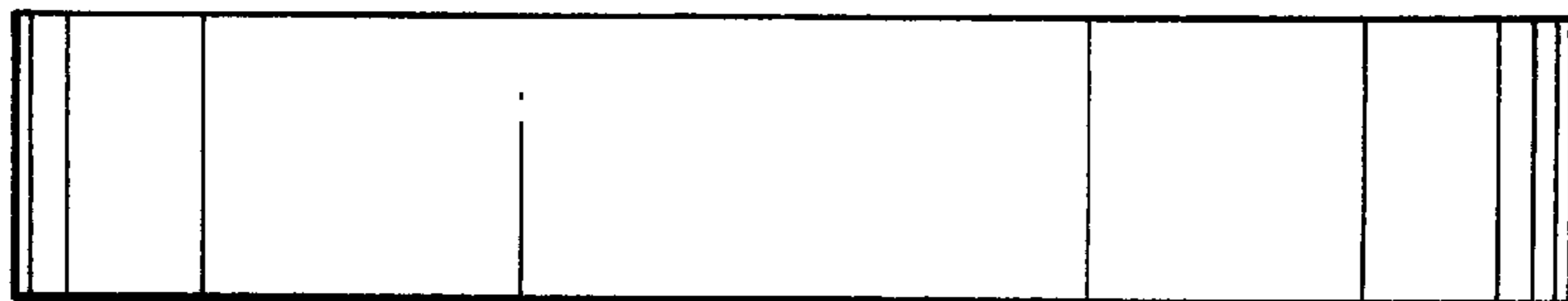


FIG. 6

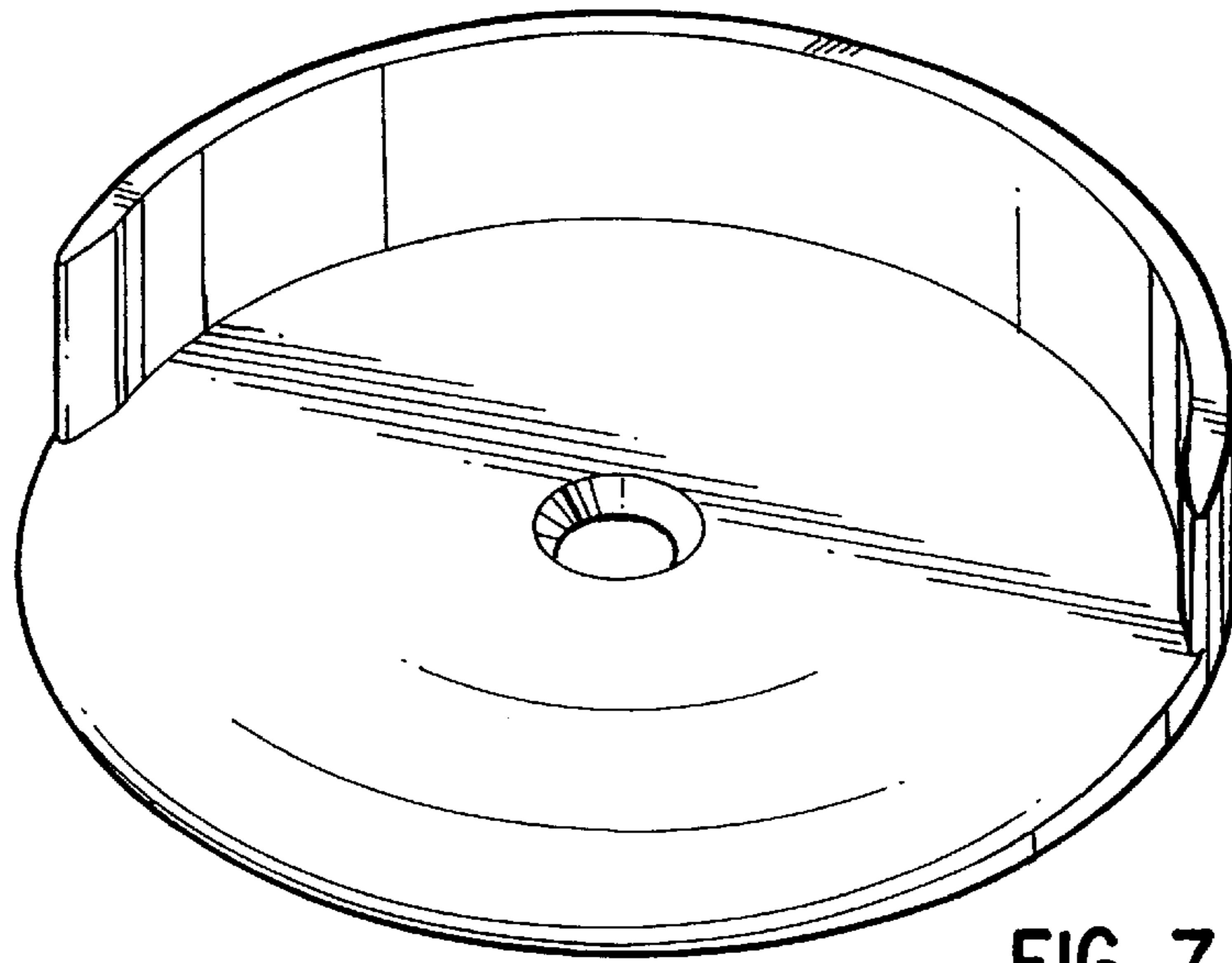


FIG. 7

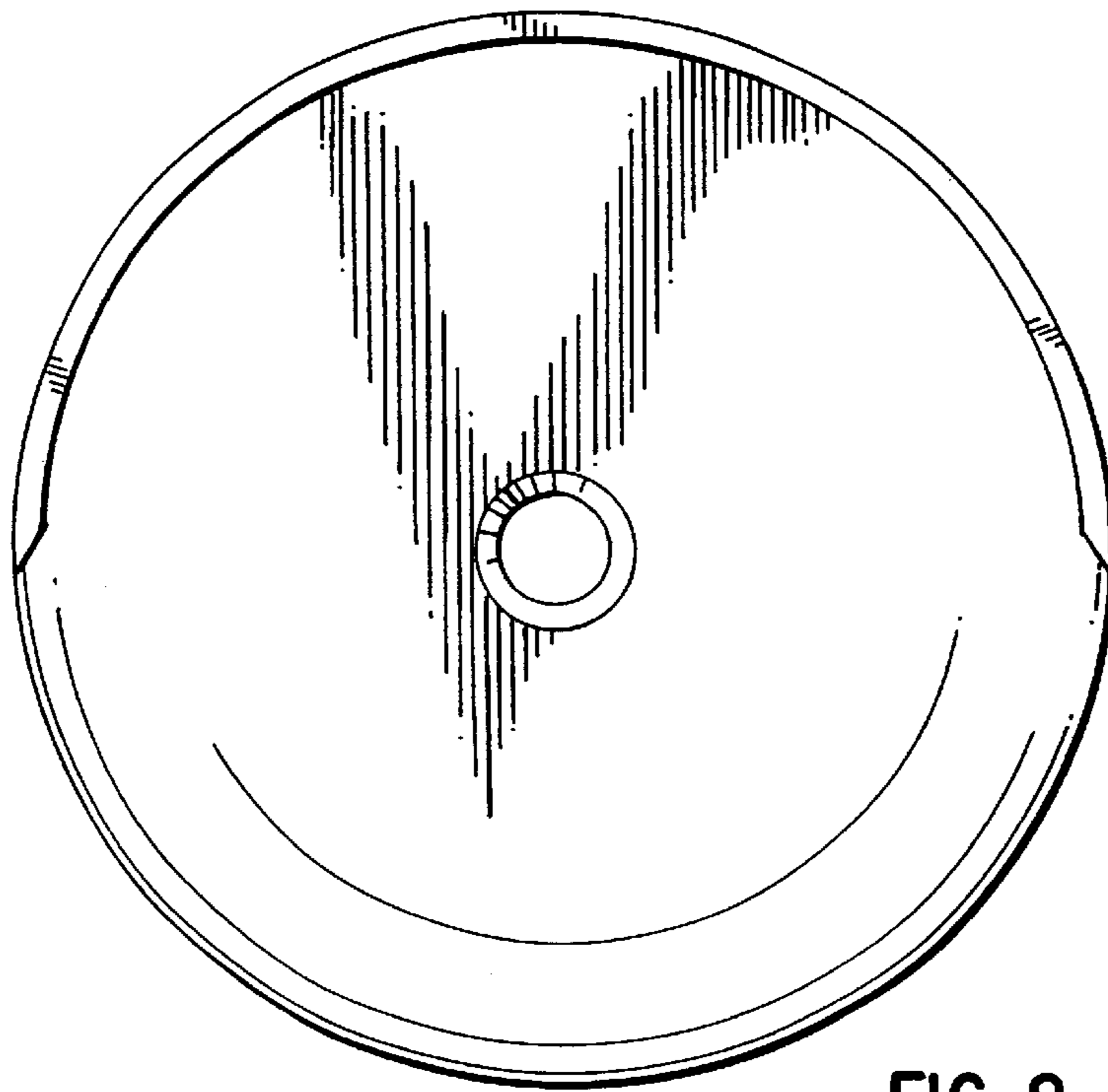


FIG. 8

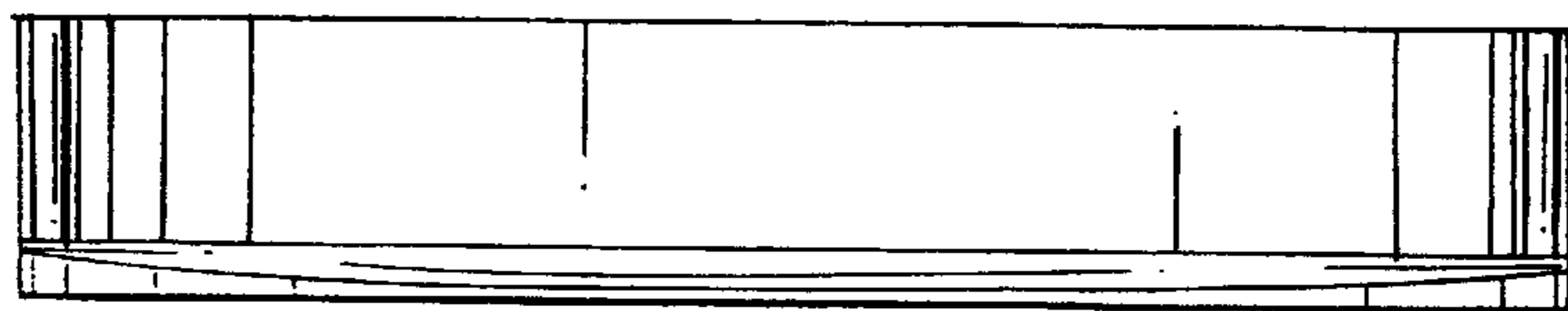


FIG. 9