



US00D400621S

United States Patent [19]
Okerlin, II et al.

[11] **Patent Number: Des. 400,621**
[45] **Date of Patent: **Nov. 3, 1998**

[54] **BASKETBALL SHOOTING PRACTICE DEVICE**

4,546,975 10/1985 Nims .
5,354,048 10/1994 Winesberry 473/447
5,503,389 4/1996 Campbell .
5,599,016 2/1997 Larkin 473/448

[76] Inventors: **John R. Okerlin, II**, 37306 Sunrise Ter.; **Robert Martin**, 39331 Lake Verns Rd., both of Umatilla, Fla. 32784

Primary Examiner—Ted Shooman
Assistant Examiner—Richelle Shelton
Attorney, Agent, or Firm—William M. Hobby, III

[**] Term: **14 Years**

[21] Appl. No.: **83,203**

[57] **CLAIM**

[22] Filed: **Feb. 2, 1998**

The ornamental design for a basketball shooting practice device, as shown.

[51] **LOC (6) Cl.** **21-02**

DESCRIPTION

[52] **U.S. Cl.** **D21/715; D21/781**

[58] **Field of Search** D21/199, 191, D21/201, 208, 209; 473/422, 436, 101, 415, 417, 447; 434/248

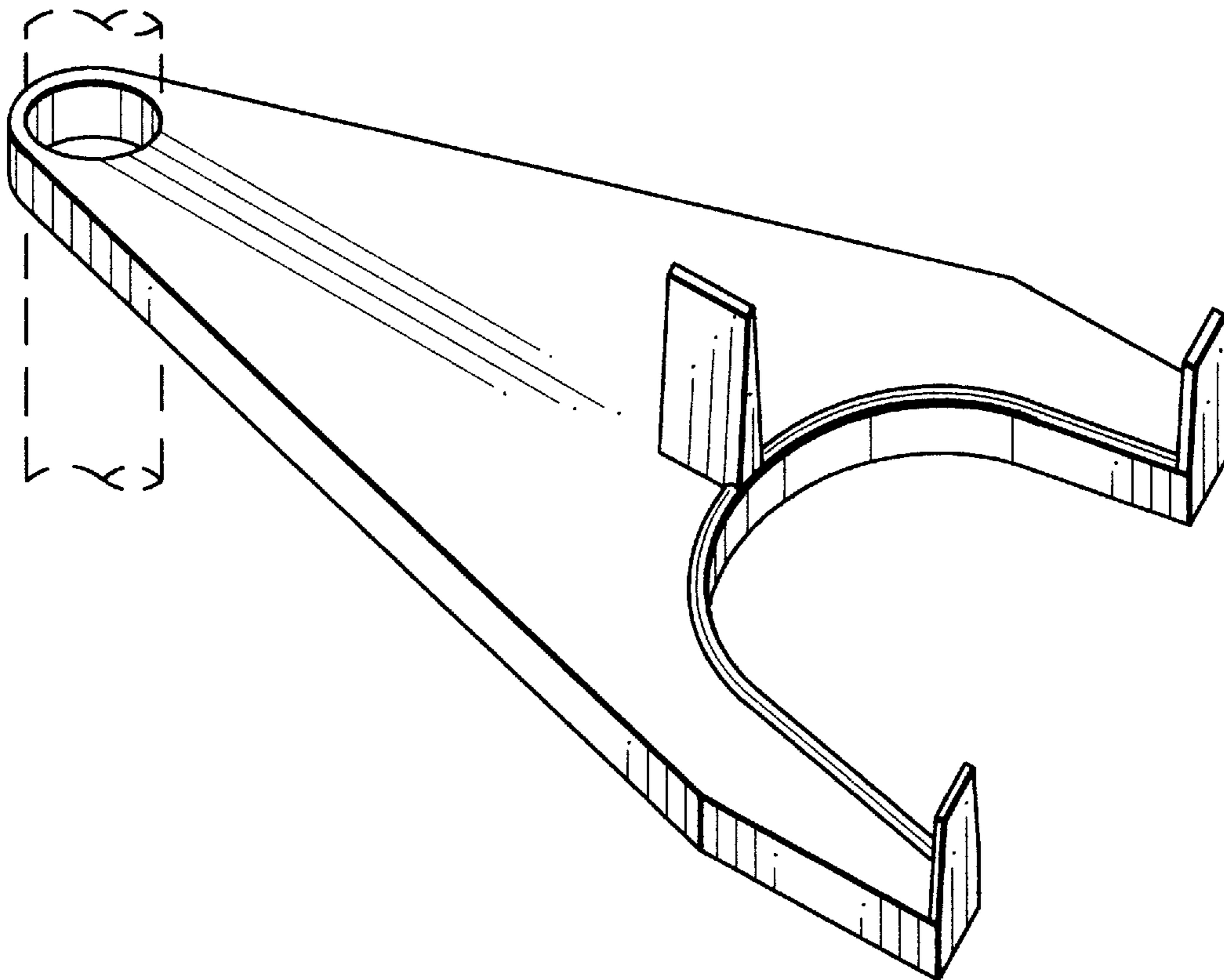
FIG. 1 is a top left side perspective view of my new basketball shooting practice device;
FIG. 2 is a bottom left side perspective view;
FIG. 3 is a front elevation;
FIG. 4 is a rear elevation;
FIG. 5 is a top plan view;
FIG. 6 is a right side elevation;
FIG. 7 is a left side elevation; and,
FIG. 8 is a bottom plan view.

[56] **References Cited**

U.S. PATENT DOCUMENTS

D. 275,303	8/1984	Box	D21/209
2,738,189	3/1956	Dell	473/447
2,939,705	6/1960	McCall, Jr.	.	
4,164,928	8/1979	Meares	473/447 X
4,538,808	9/1985	Holland	473/447

1 Claim, 2 Drawing Sheets



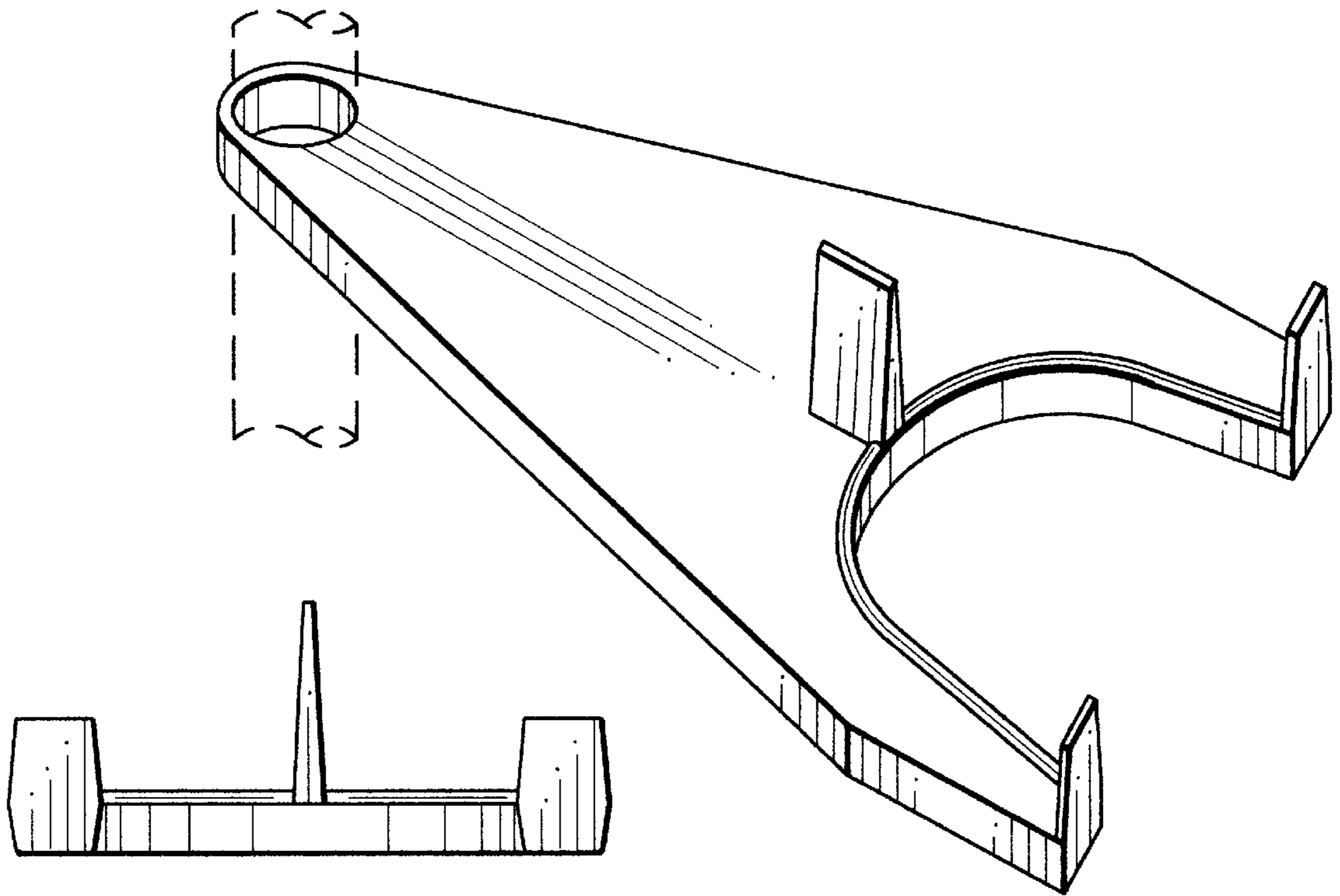


FIG. 3

FIG. 1

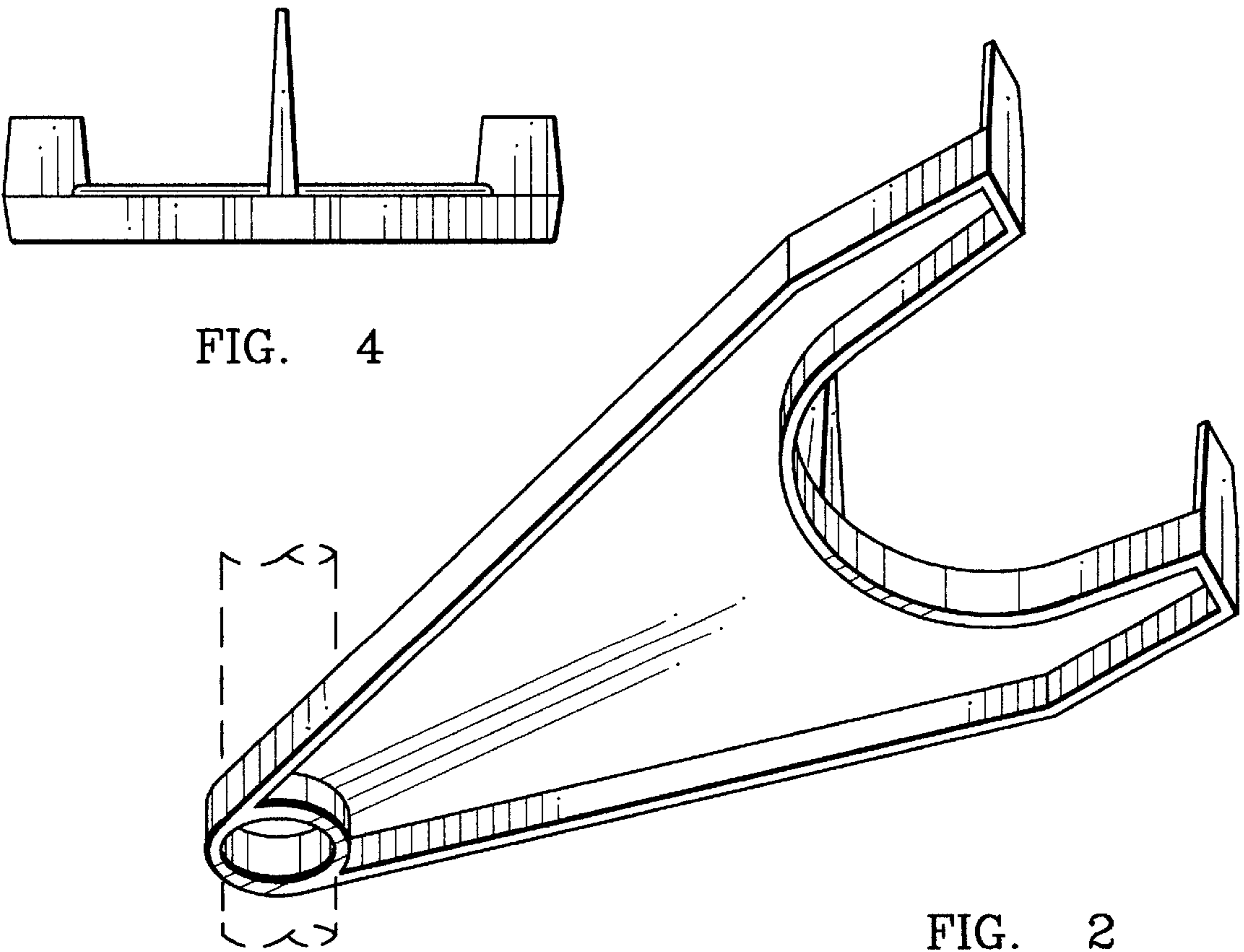


FIG. 4

FIG. 2

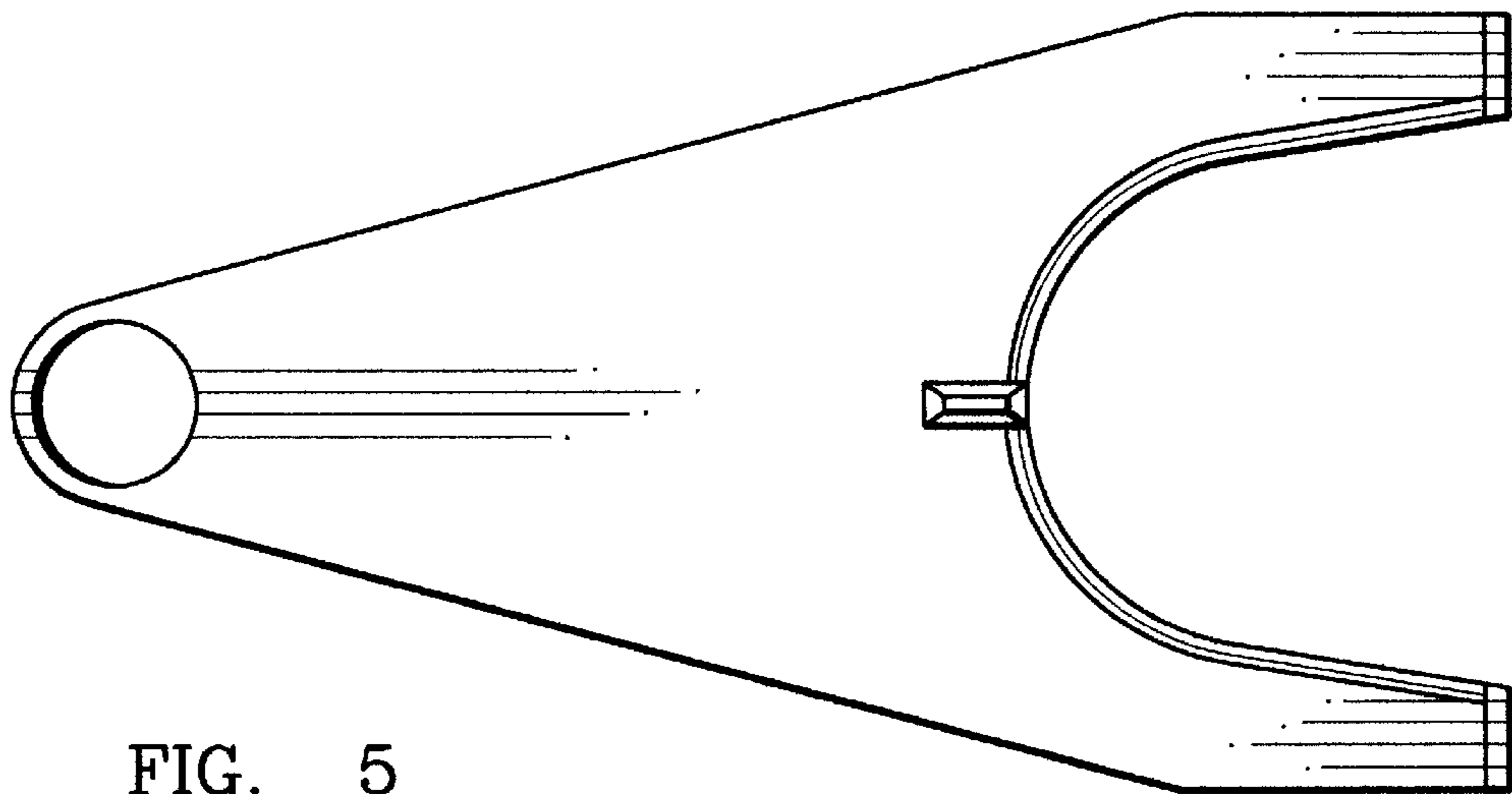


FIG. 5

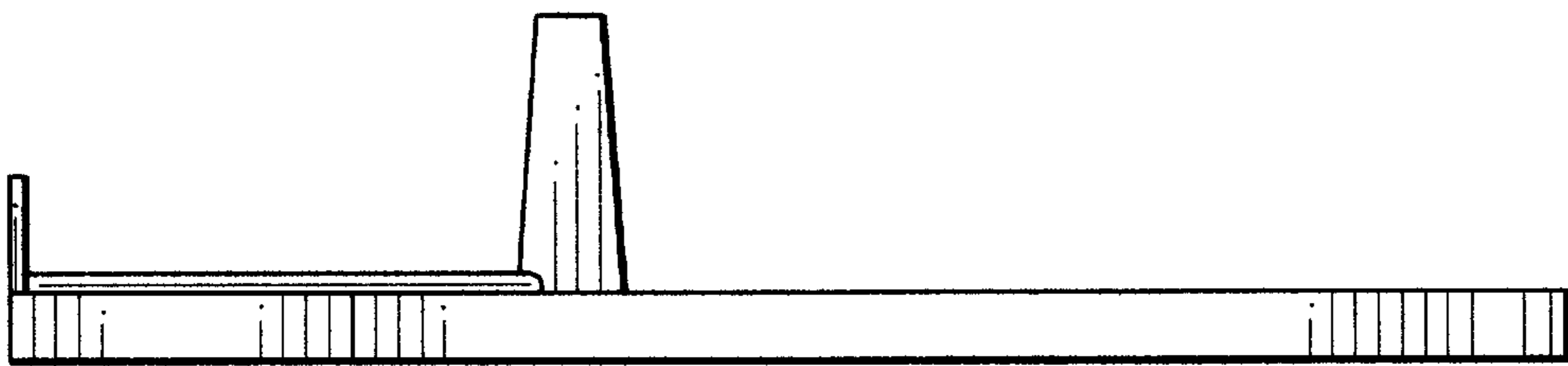


FIG. 6

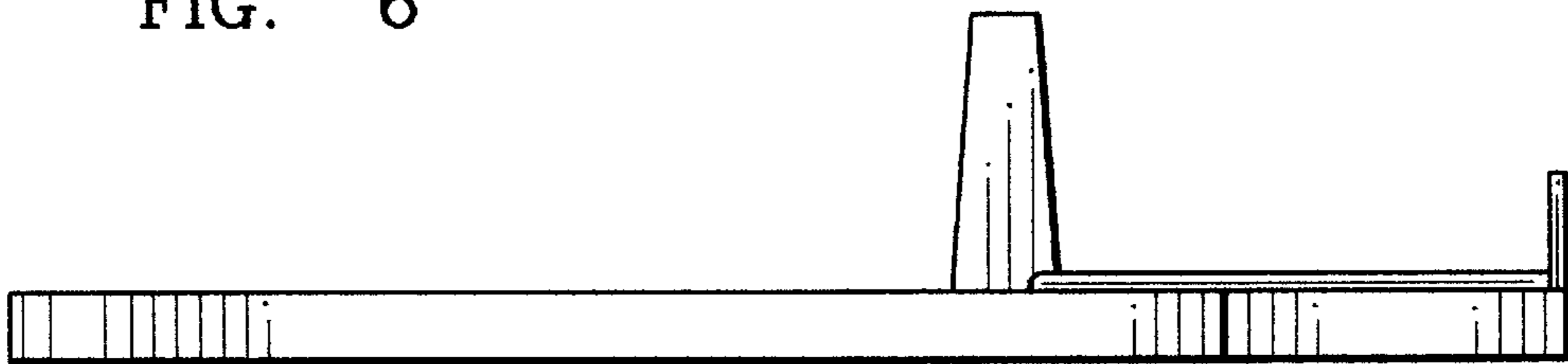


FIG. 7

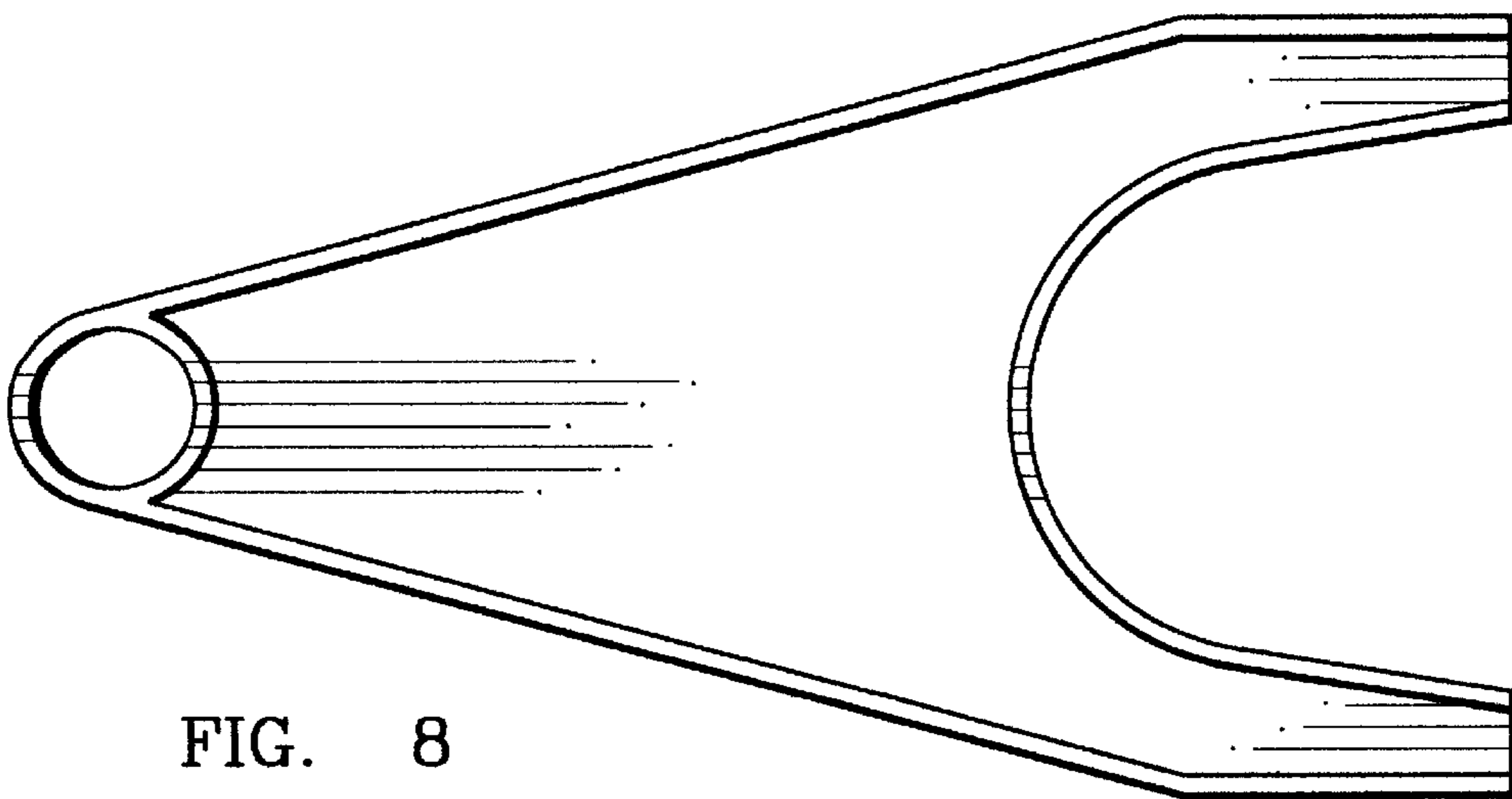


FIG. 8