



US00D400619S

United States Patent [19]

Schultheis et al.

[11] Patent Number: **Des. 400,619**

[45] Date of Patent: ****Nov. 3, 1998**

[54] **CRIB TOY**

[75] Inventors: **Douglas A. Schultheis**, Cumberland;
Todd S. Herlitz, Providence, both of
R.I.; **Christina Beecher**, Norton, Mass.

[73] Assignee: **Hasbro, Inc.**, Pawtucket, R.I.

[**] Term: **14 Years**

[21] Appl. No.: **73,842**

[22] Filed: **Jul. 2, 1997**

[51] **LOC (6) Cl.** **21-01**

[52] **U.S. Cl.** **D21/476; D21/398**

[58] **Field of Search** **D21/398, 405,**
D21/475, 476; 446/227, 228

3,613,264	10/1971	Vitka et al. .
4,223,471	9/1980	Greenberg .
4,582,498	4/1986	Tamada .
4,906,217	3/1990	O'Young .
4,928,412	5/1990	Nishiyama .
5,156,550	10/1992	Alexander .
5,189,821	3/1993	Lee .
5,213,540	5/1993	Yang .
5,228,225	7/1993	Lee .
5,269,717	12/1993	Tardif .
5,442,869	8/1995	McDarren et al. .
5,478,268	12/1995	Au .

Primary Examiner—Dominic Simone
Attorney, Agent, or Firm—Kurt Benson

[57] CLAIM

The ornamental design for a crib toy, as shown.

DESCRIPTION

FIG. 1 is a perspective view of a crib toy embodying our new design;

FIG. 2 is a front elevational view thereof;

FIG. 3 is a rear elevational view thereof;

FIG. 4 is a right side elevational view thereof;

FIG. 5 is a left side elevational view thereof;

FIG. 6 is a top plan view thereof; and,

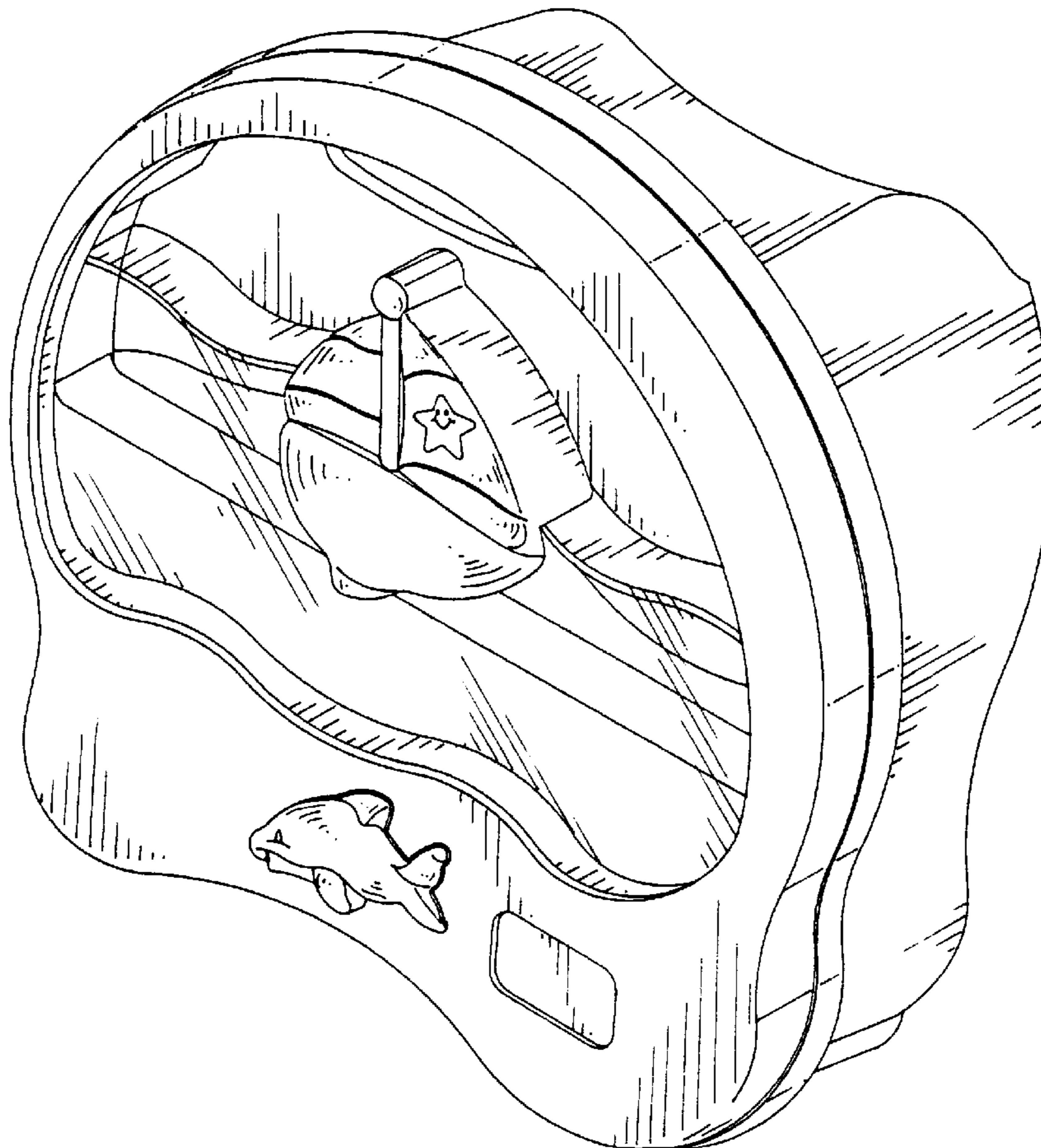
FIG. 7 is a bottom plan view thereof.

[56] References Cited

U.S. PATENT DOCUMENTS

D. 280,837	10/1985	Takei	D21/476
D. 285,458	9/1986	Nakao et al.	D21/476
D. 286,796	11/1986	Simmones	D21/405
D. 299,729	2/1989	Takei et al.	D21/405
D. 320,049	9/1991	Takahashi et al.	D21/476
D. 335,900	5/1993	Oshimi	D21/475
D. 344,768	3/1994	Chuk	D21/405
1,239,033	9/1917	Norwood	.	
1,779,766	10/1930	Gibbons et al.	.	

1 Claim, 4 Drawing Sheets



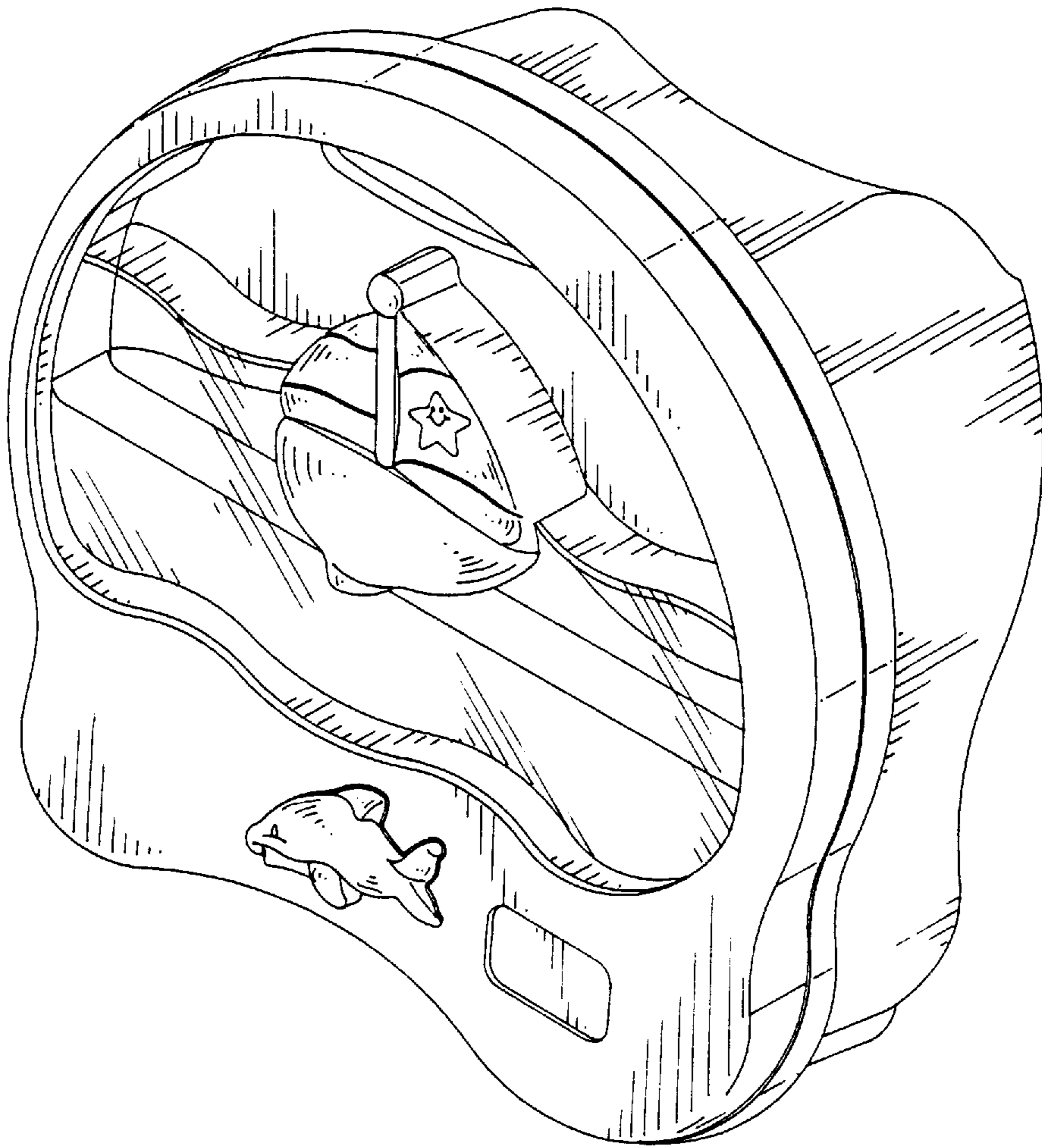


FIG. 1

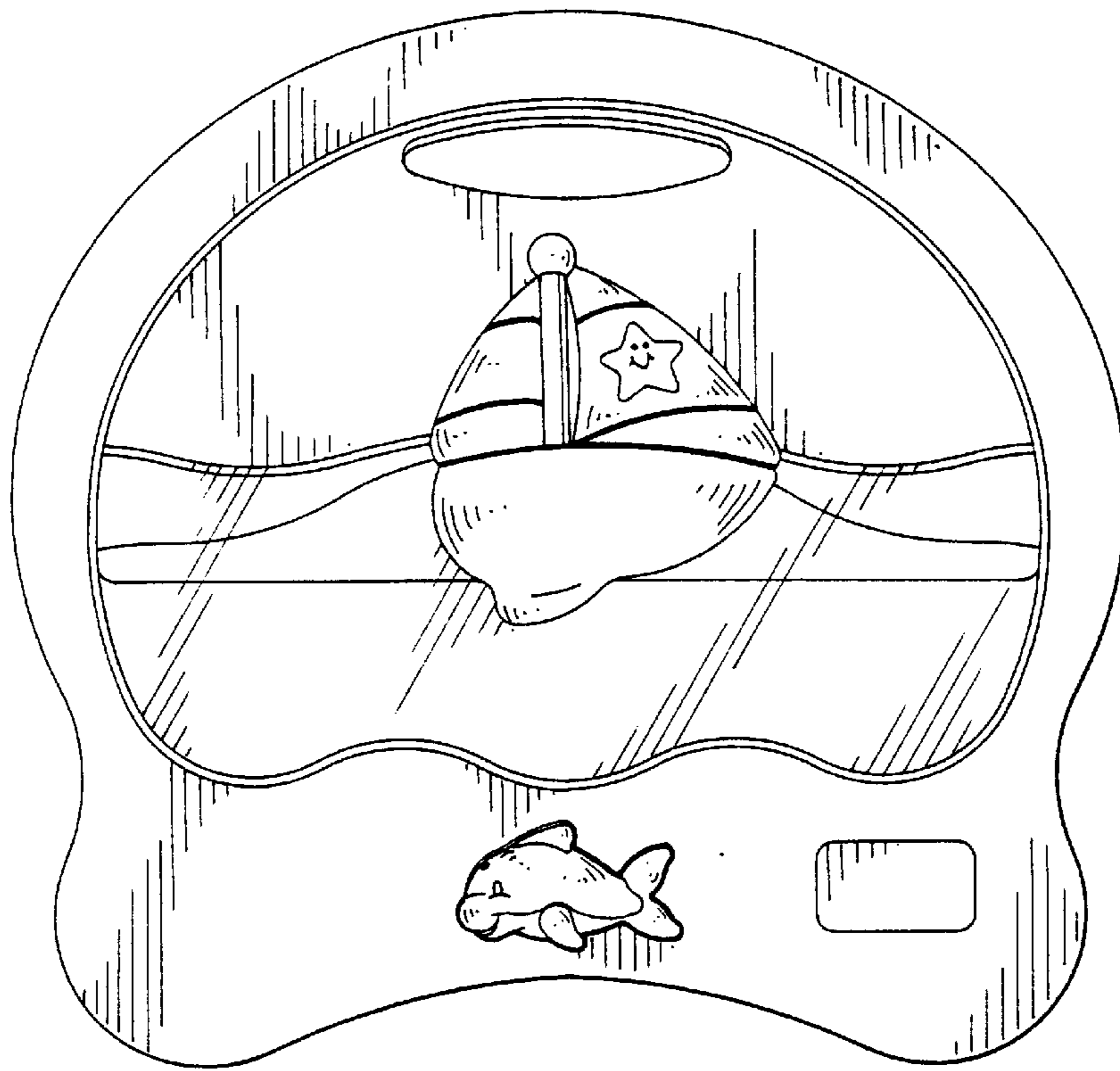


FIG. 2

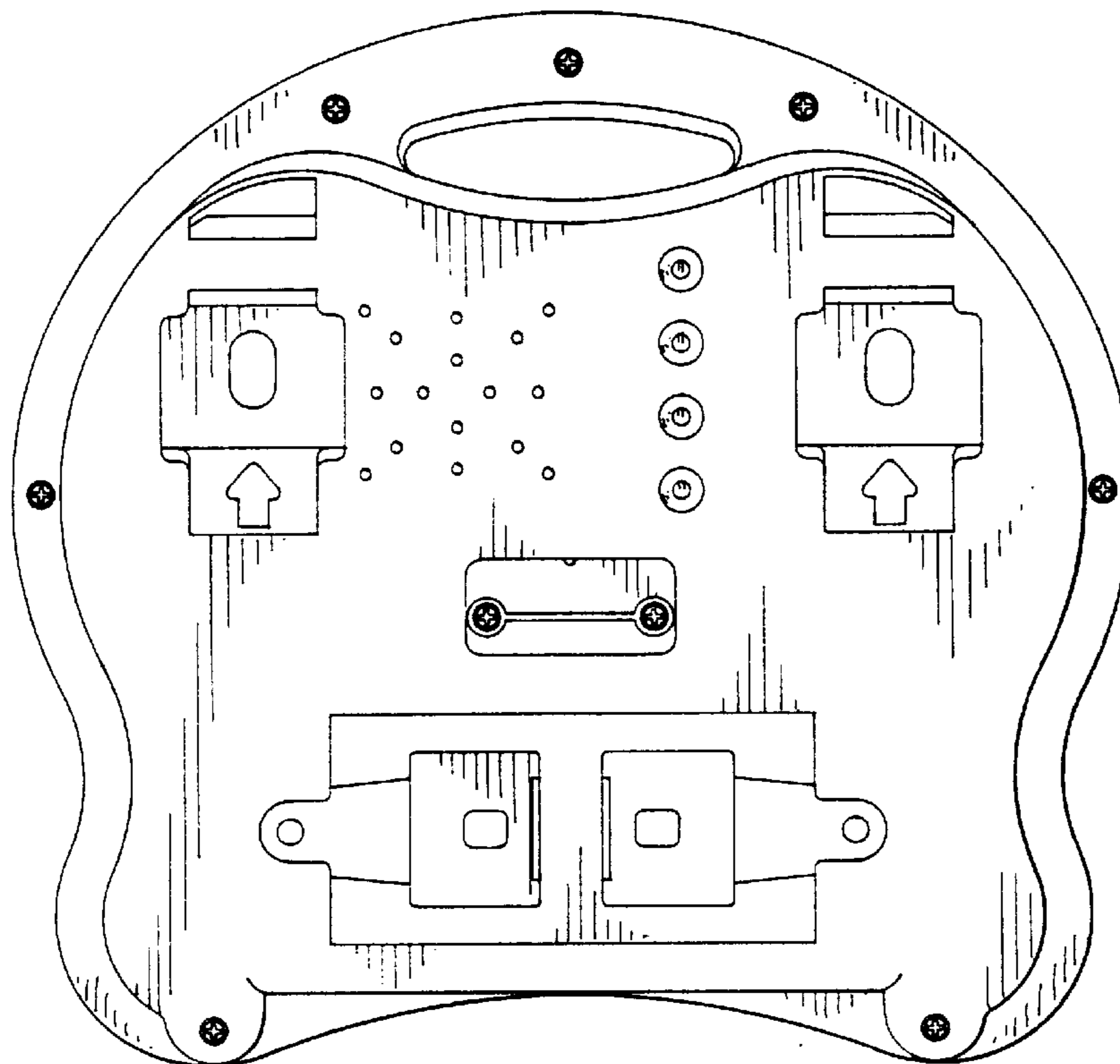


FIG. 3

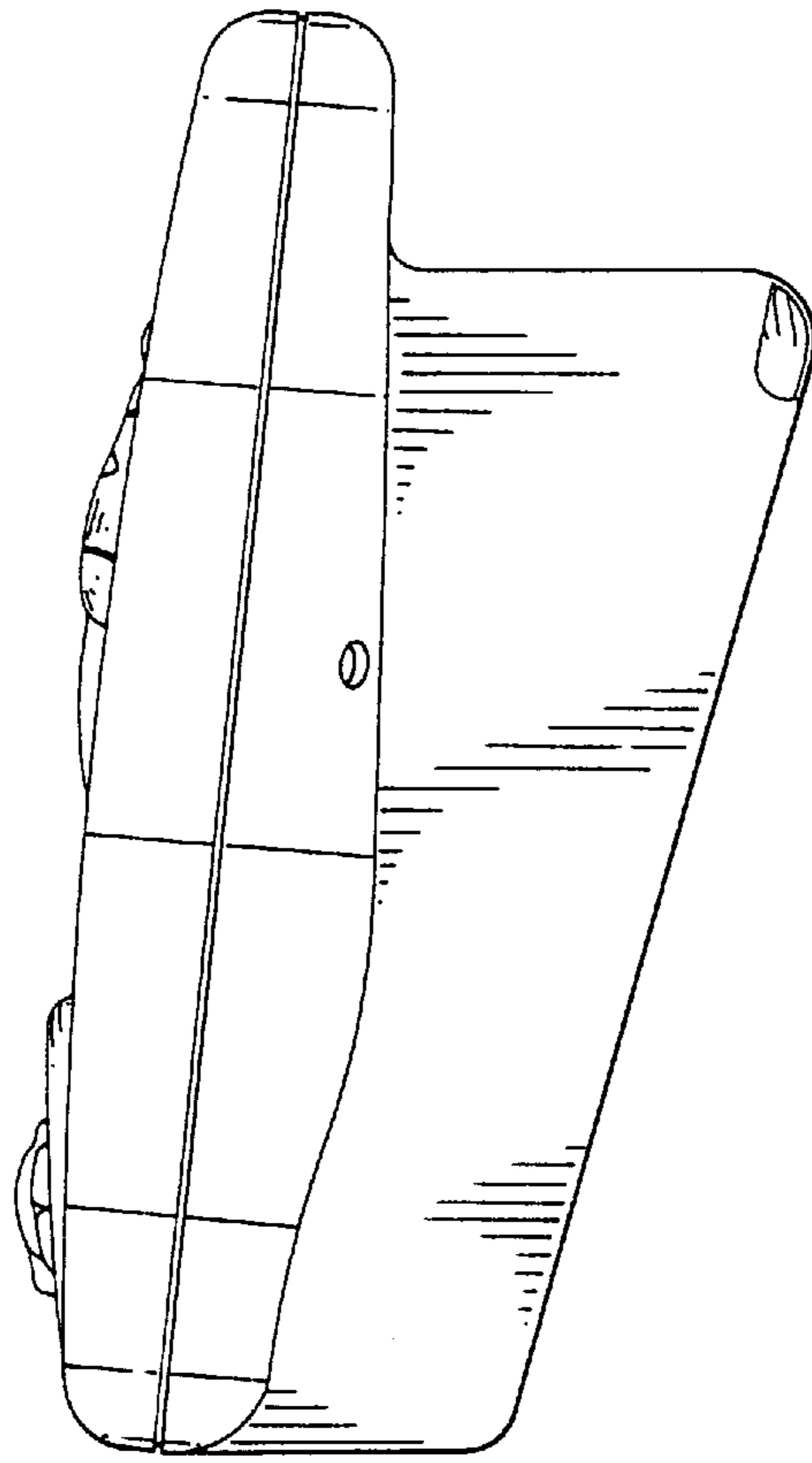


FIG. 4

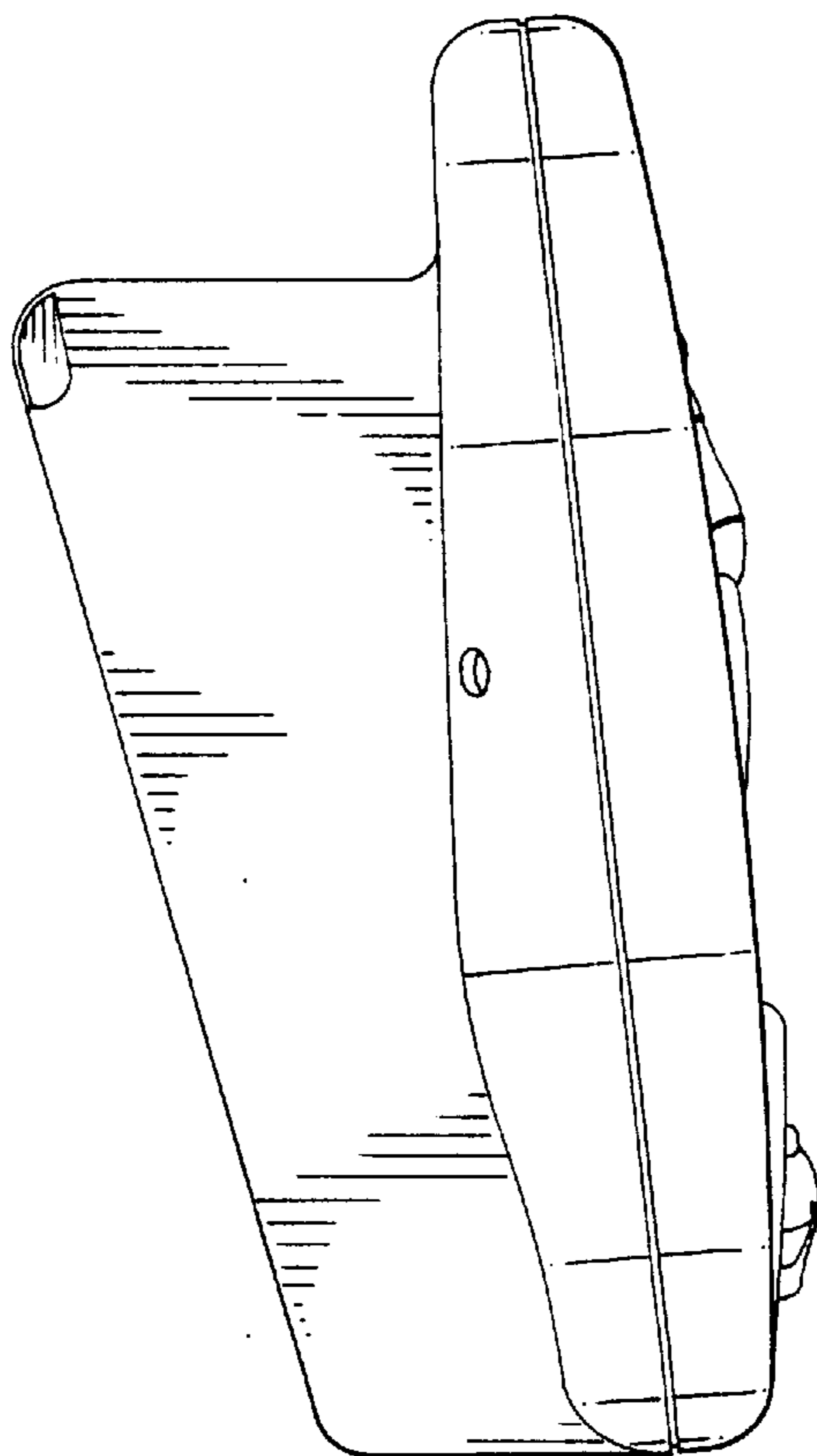


FIG. 5

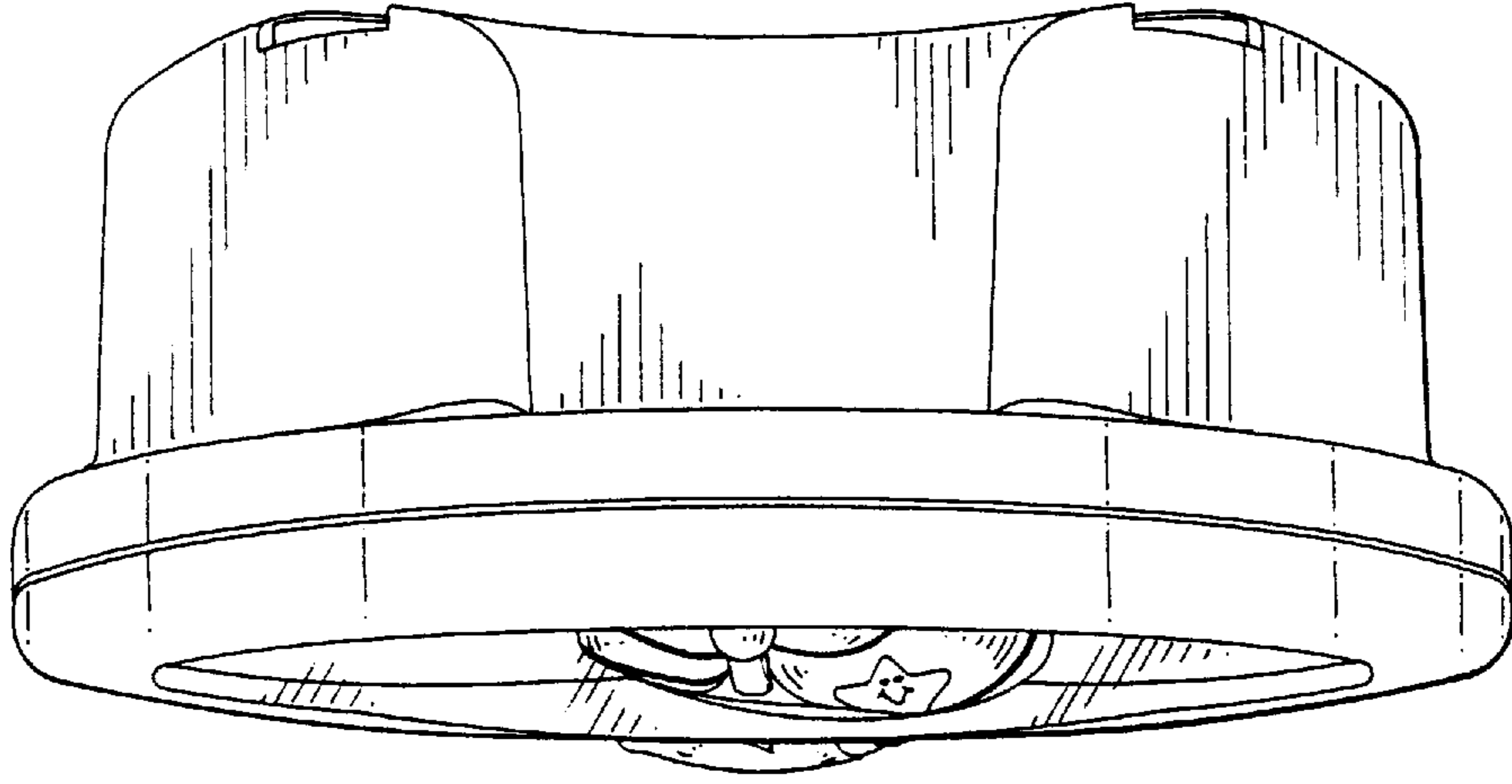


FIG. 6

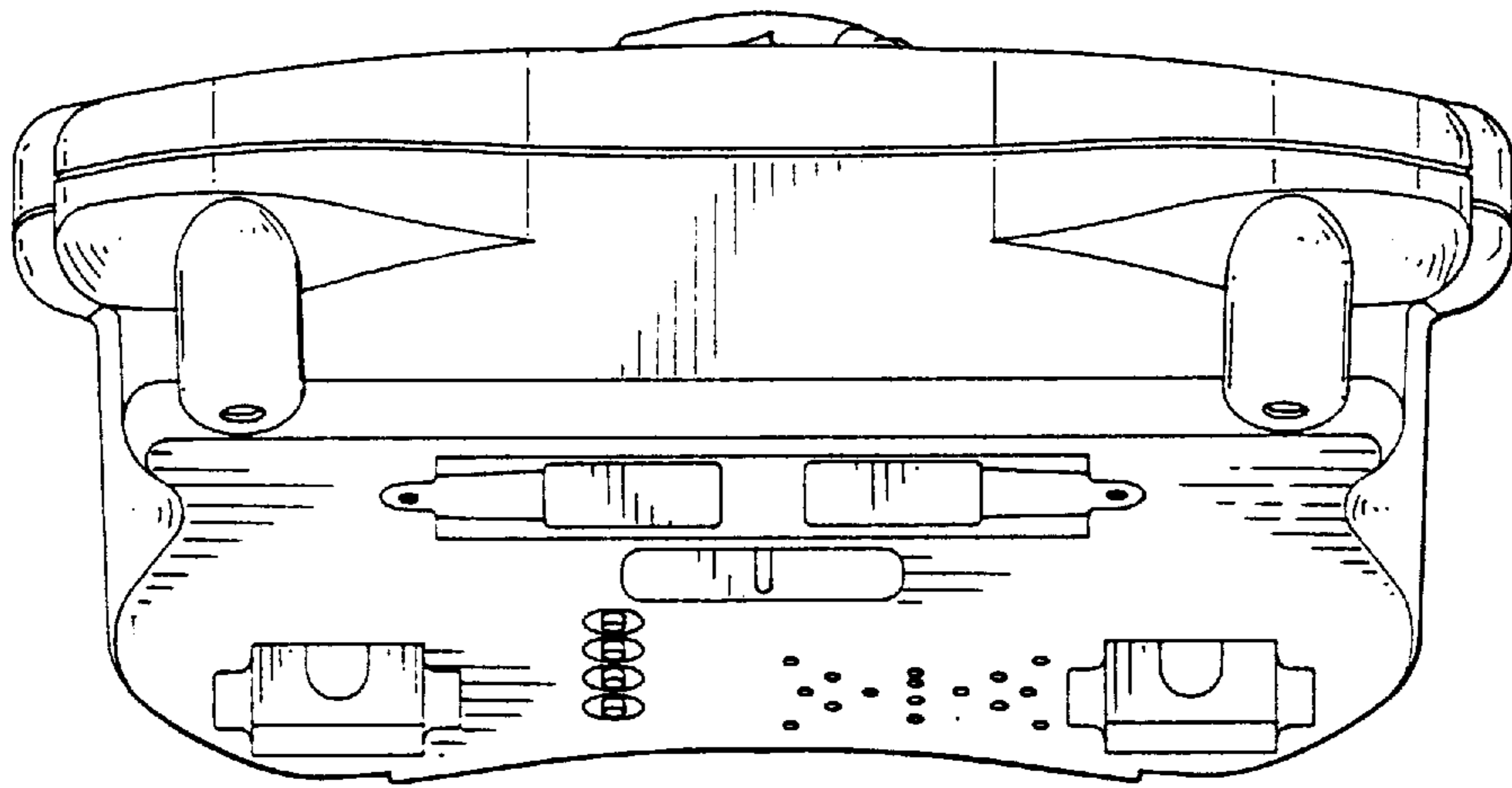


FIG. 7