



US00D400615S

United States Patent [19] Kitchen

[11] **Patent Number: Des. 400,615**

[45] **Date of Patent: **Nov. 3, 1998**

[54] **ECCENTRIC ARM AMUSEMENT RIDE**

[75] Inventor: **William Joel Kitchen**, Longmont, Colo.

[73] Assignee: **Sky Max Incorporated**, Longmont, Colo.

[**] Term: **14 Years**

[21] Appl. No.: **73,670**

[22] Filed: **Jul. 15, 1997**

[51] **LOC (6) Cl.** **21-03**

[52] **U.S. Cl.** **D21/242**

[58] **Field of Search** D21/242, 247, D21/248, 249; 472/29-47

[56] **References Cited**

U.S. PATENT DOCUMENTS

D. 286,313 10/1986 Kurzweil D21/249

OTHER PUBLICATIONS

Falling Star ride at Adventure World; web site: www.adventureworld.com/rides.html.

Flip-out ride at Enchanted Forest; web site: www.geocities.com/EnchantedForest/6831/flipout.html.

Hammerhead at Enchanted Forest; web site: www.geocities.com/EnchantedForest/6831/hammerhead.html.

Primary Examiner—Ted Shooman
Assistant Examiner—Mitchell I. Siegel
Attorney, Agent, or Firm—Rick Martin

[57] **CLAIM**

The ornamental design for the eccentric arm amusement ride, as shown and described.

DESCRIPTION

FIG. 1 is a top perspective view of the eccentric arm amusement ride;

FIG. 2 is a front side view of the eccentric arm amusement ride;

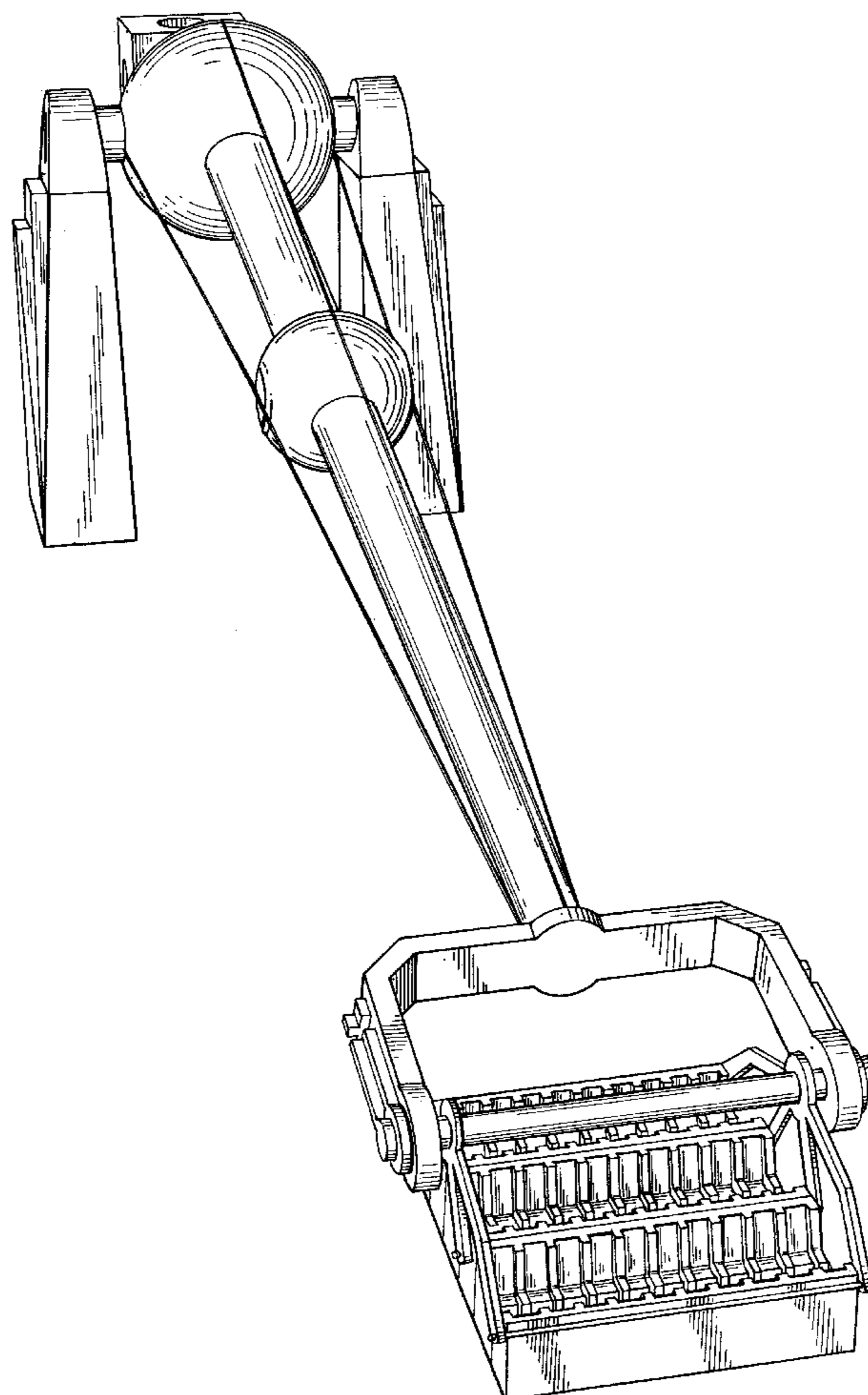
FIG. 3 is a rear side view of the eccentric arm amusement ride;

FIG. 4 is a left side view of the eccentric arm amusement ride, the undisclosed right side being a mirror image;

FIG. 5 is a top view of the eccentric arm amusement ride; and,

FIG. 6 is a bottom view of the eccentric arm amusement ride.

1 Claim, 3 Drawing Sheets



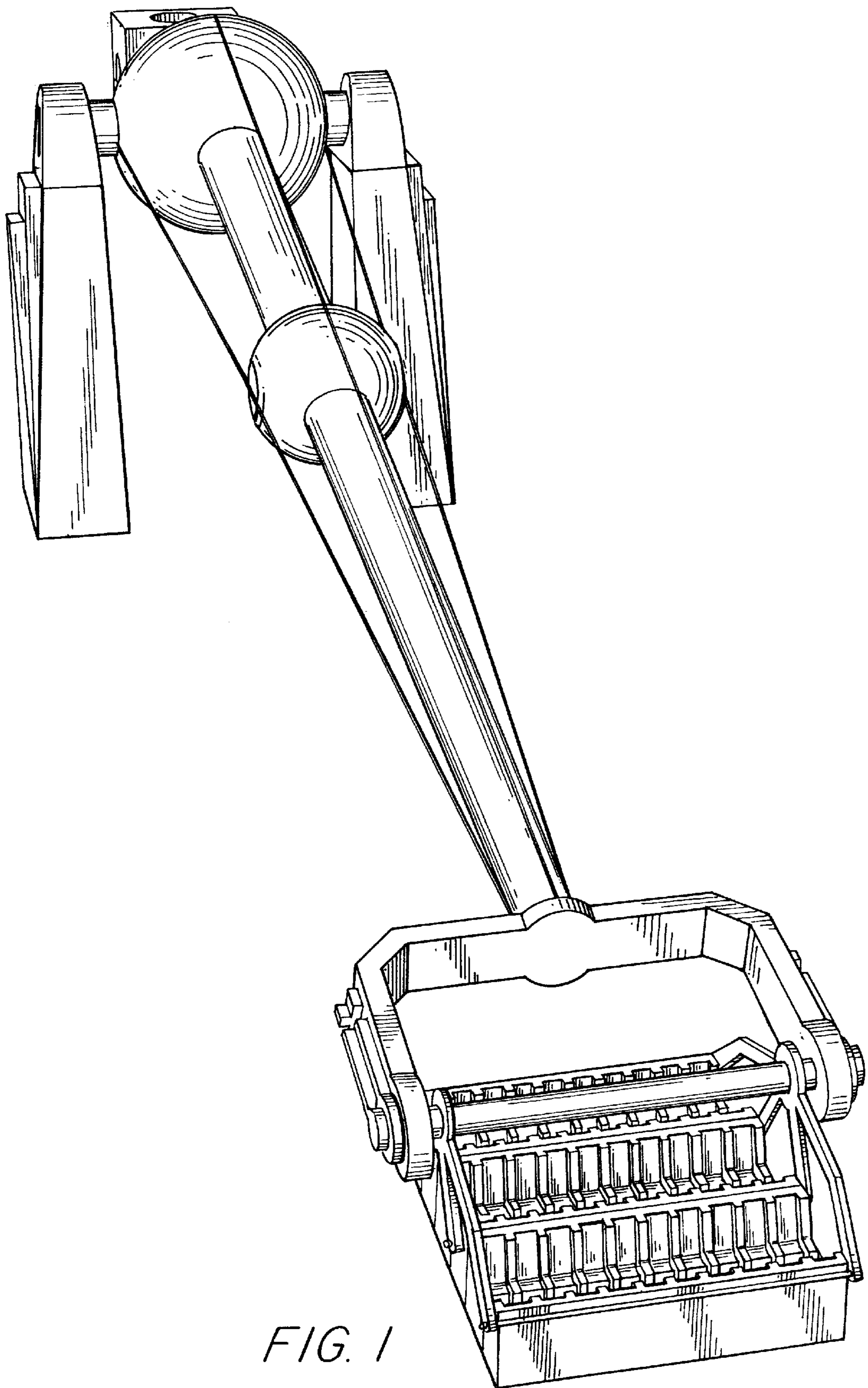


FIG. 1

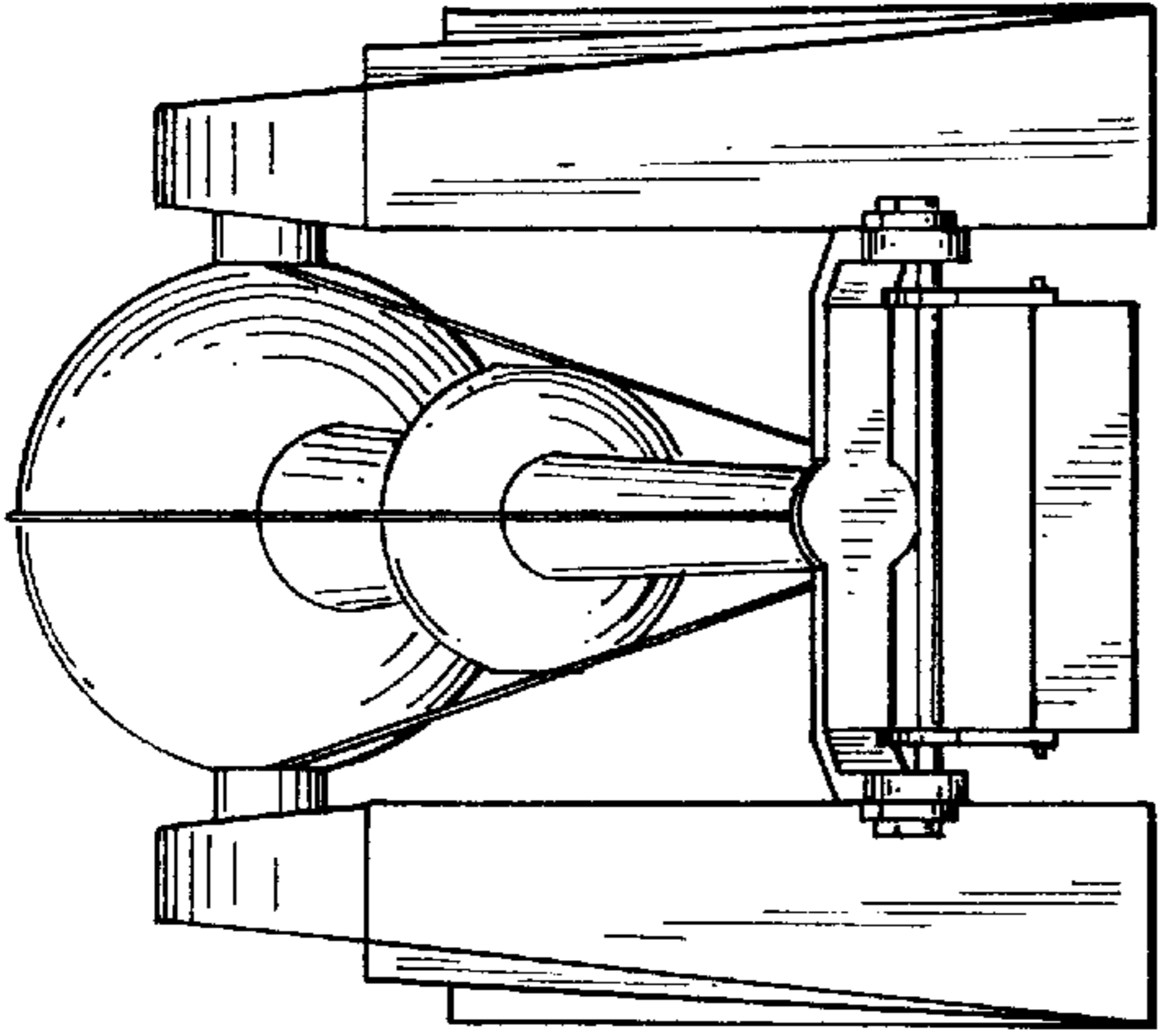


FIG. 2

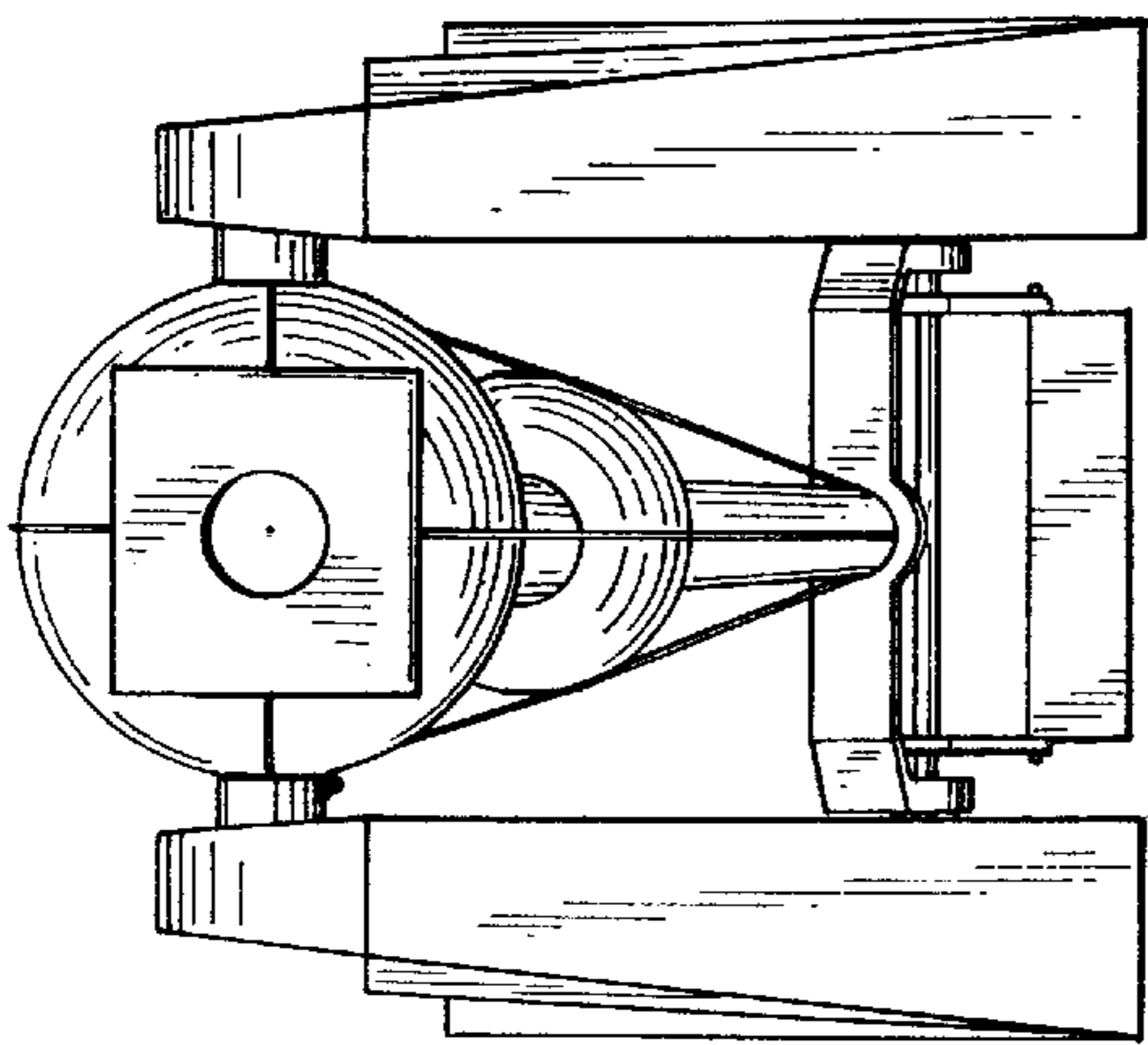


FIG. 3

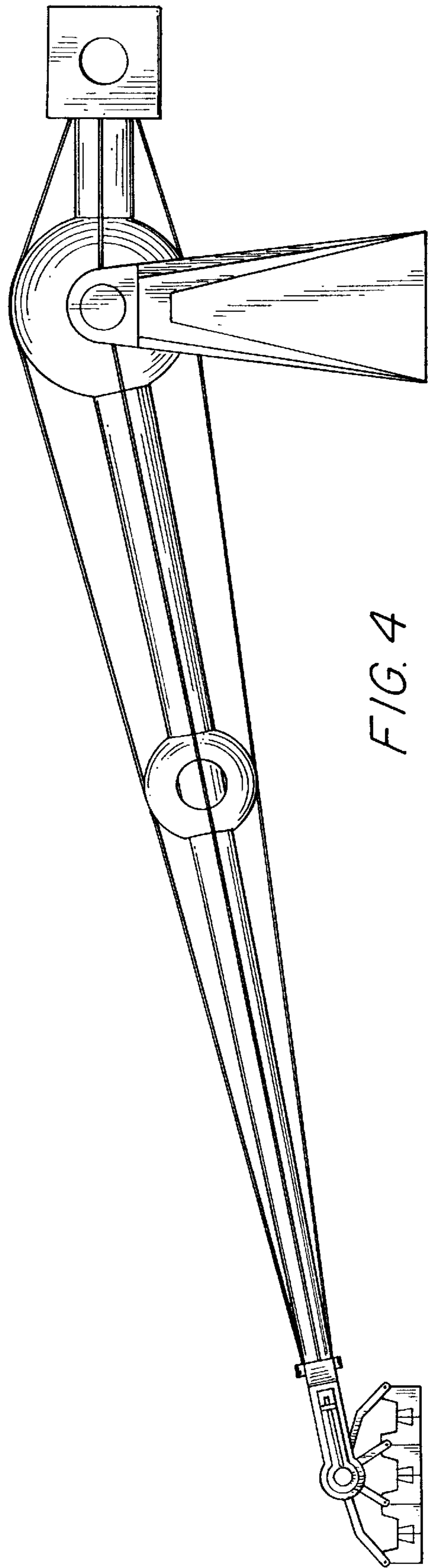


FIG. 4

