



US00D400614S

**United States Patent** [19]  
**Henthorn**

[11] **Patent Number: Des. 400,614**

[45] **Date of Patent: \*\*Nov. 3, 1998**

[54] **SAFETY FLOATATION SEAT**

5,101,753 4/1992 Hull et al. .... 114/345  
5,224,891 7/1993 Stephens ..... 441/130

[76] Inventor: **Susan D. Henthorn**, 6816 Gaines Ferry Rd, Flowery Branch, Ga. 30542

*Primary Examiner*—Kay H. Chin  
*Attorney, Agent, or Firm*—Needle & Rosenberg, P.C.

[\*\*] Term: **14 Years**

[57] **CLAIM**

[21] Appl. No.: **76,741**

The ornamental design for a safety flotation seat, as shown and described.

[22] Filed: **Sep. 17, 1997**

[51] **LOC (6) Cl.** ..... **12-06**

[52] **U.S. Cl.** ..... **D21/237**

[58] **Field of Search** ..... D21/236-239;  
441/129-131, 89, 16, 80, 83, 87; 114/363

**DESCRIPTION**

FIG. 1 is a front elevational perspective view of my new design for a safety flotation seat;  
FIG. 2 is a front view thereof;  
FIG. 3 is a left side view thereof;  
FIG. 4 is a back side view thereof;  
FIG. 5 is a right side view thereof;  
FIG. 6 is a top plan view thereof; and,  
FIG. 7 is a bottom plan view thereof.

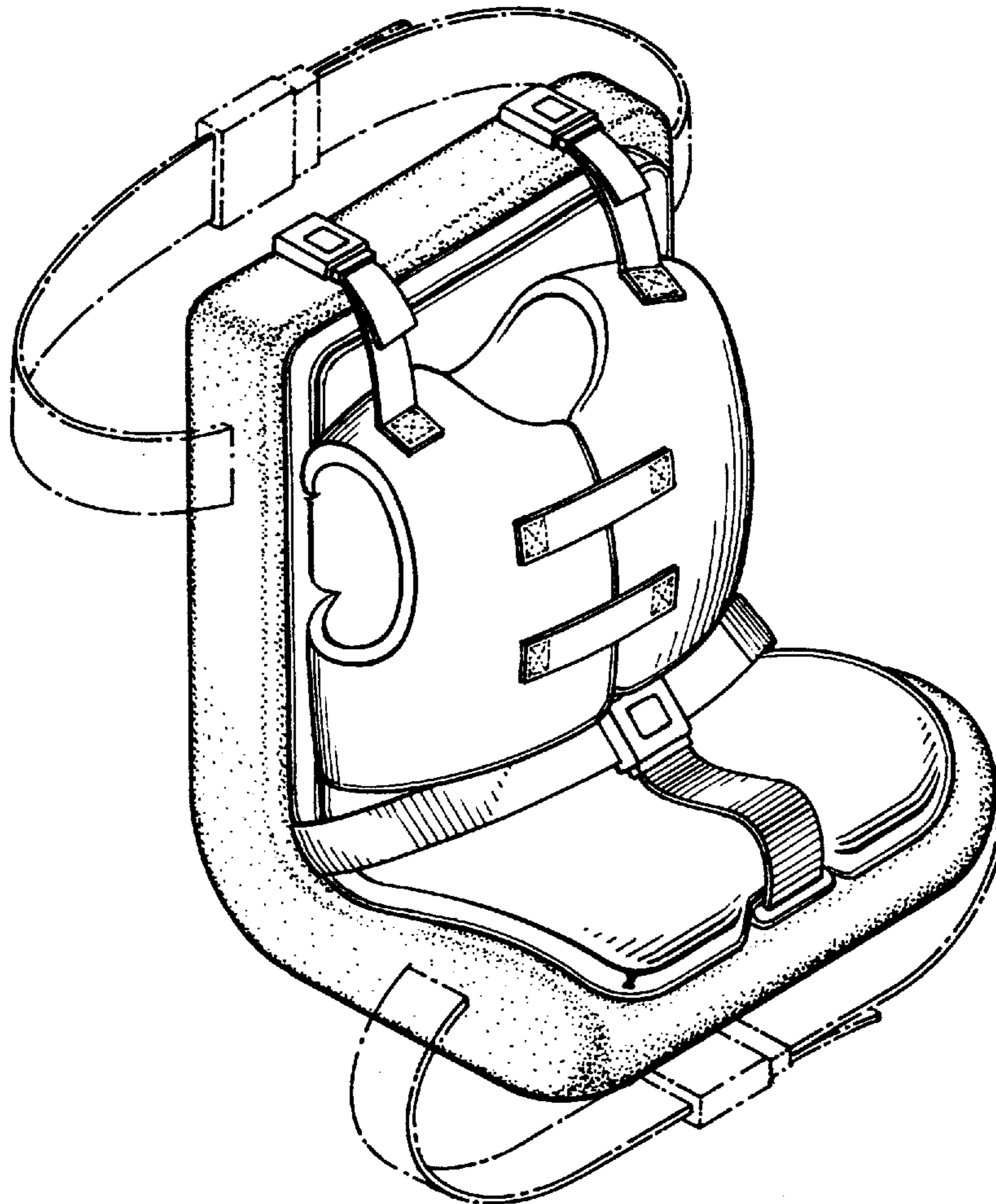
The broken lines are for illustrative purposes only and form no part of the claimed design.

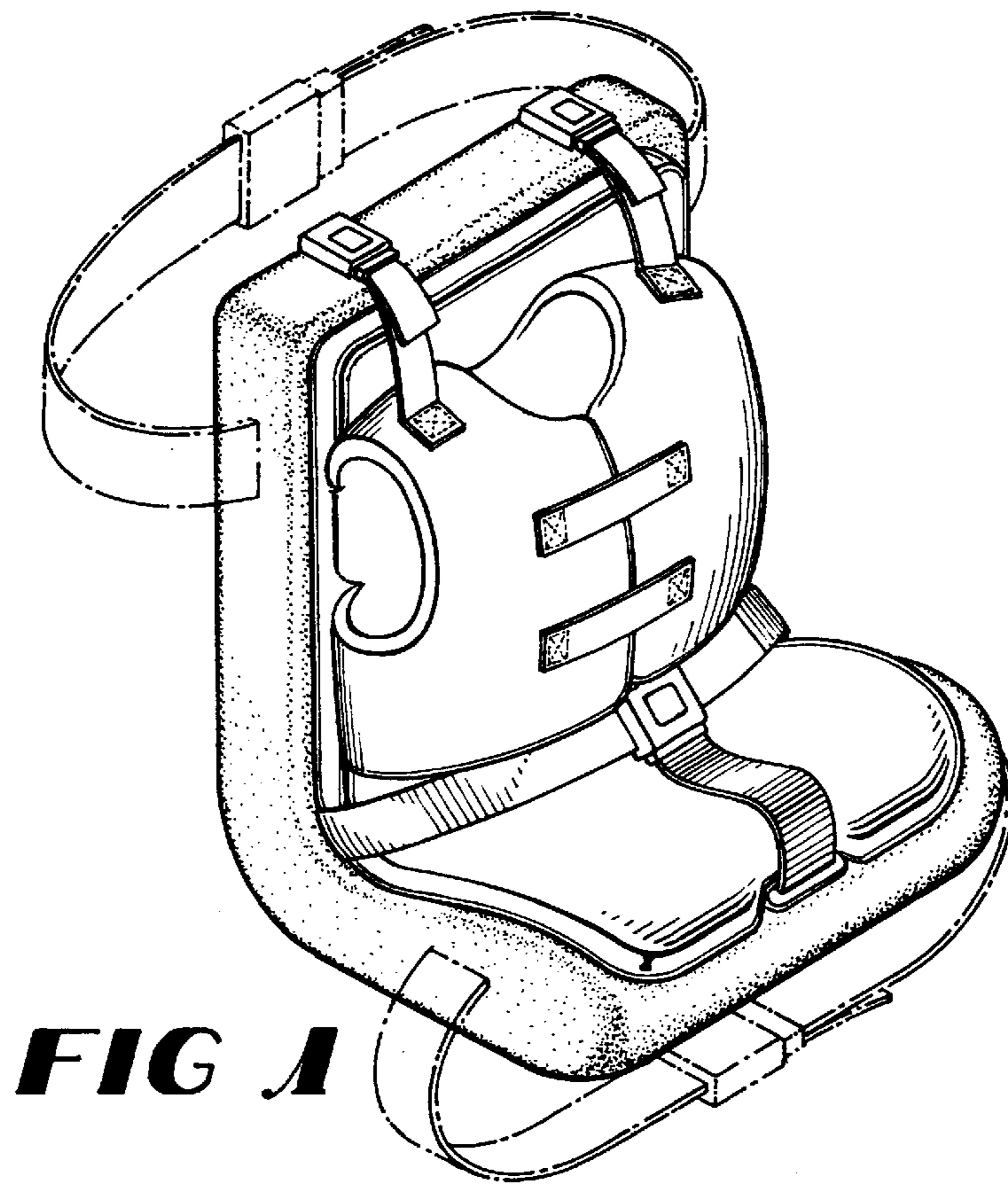
[56] **References Cited**

**U.S. PATENT DOCUMENTS**

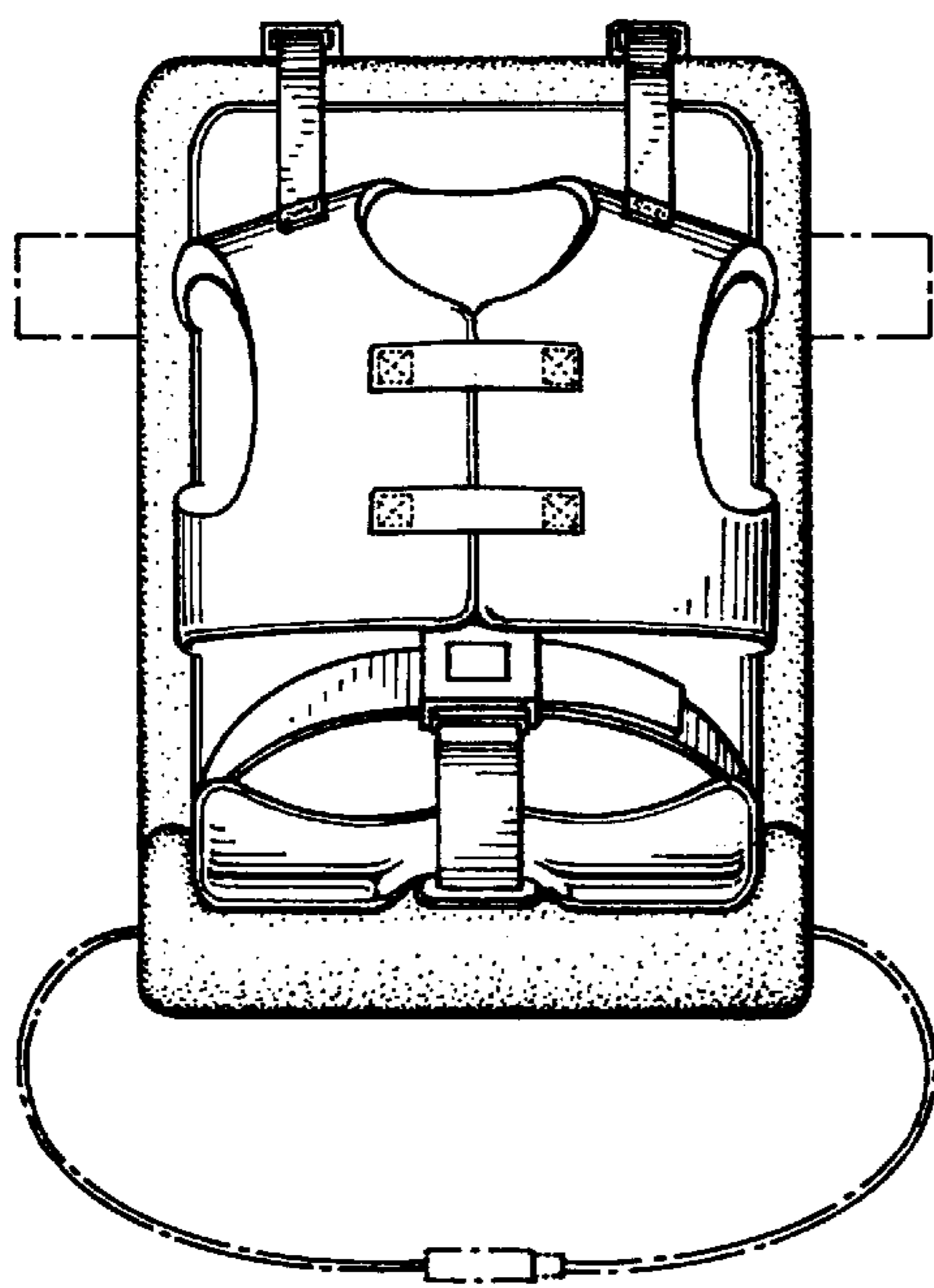
|           |         |                   |         |
|-----------|---------|-------------------|---------|
| 4,358,866 | 11/1982 | Rhodes            | 114/363 |
| 4,669,992 | 6/1987  | Morris            | 441/65  |
| 4,725,253 | 2/1988  | Politte           | 441/130 |
| 4,798,551 | 1/1989  | Dumonceaux et al. | 441/130 |
| 4,799,910 | 1/1989  | Kellough          | 441/131 |

**1 Claim, 2 Drawing Sheets**

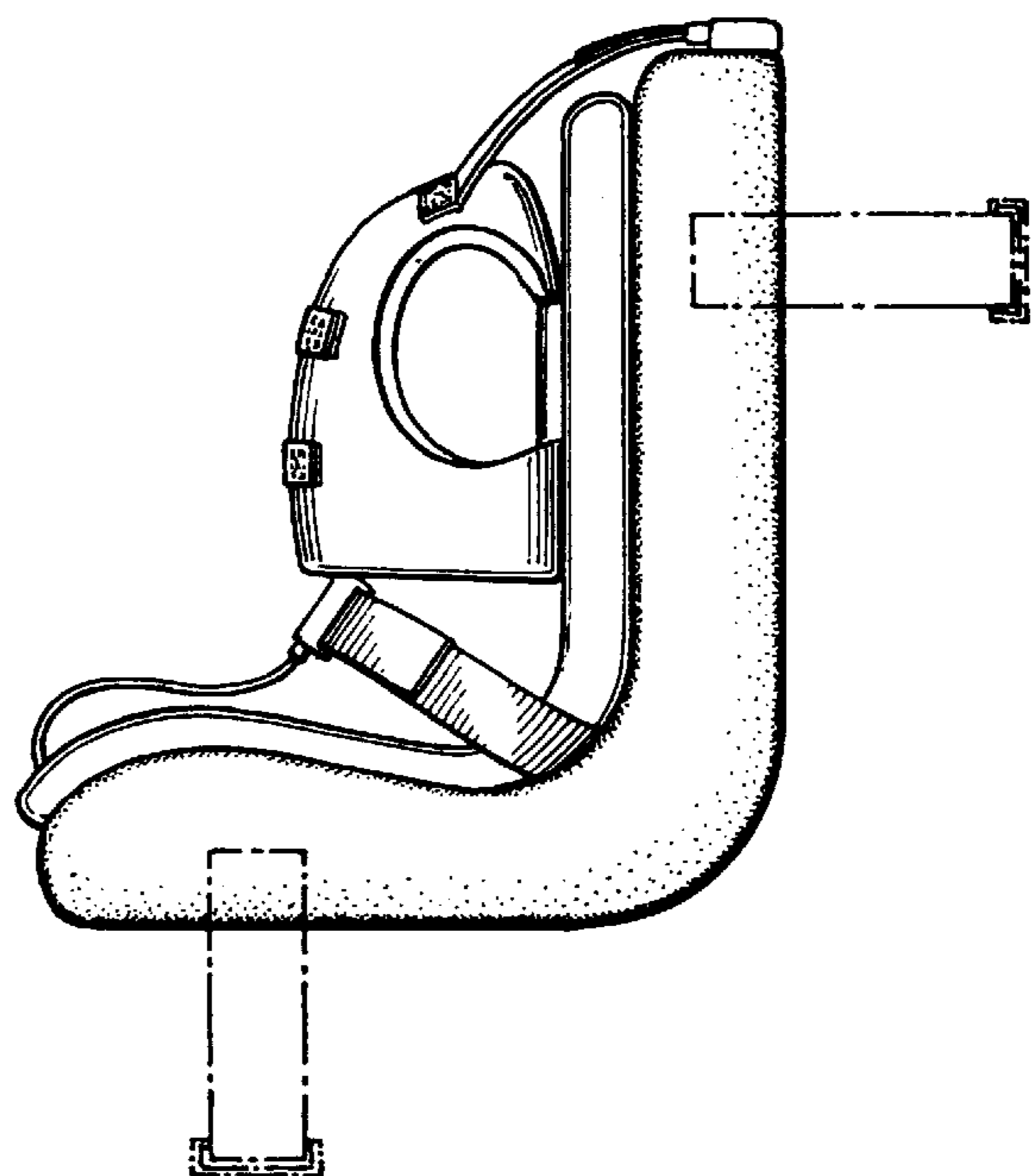




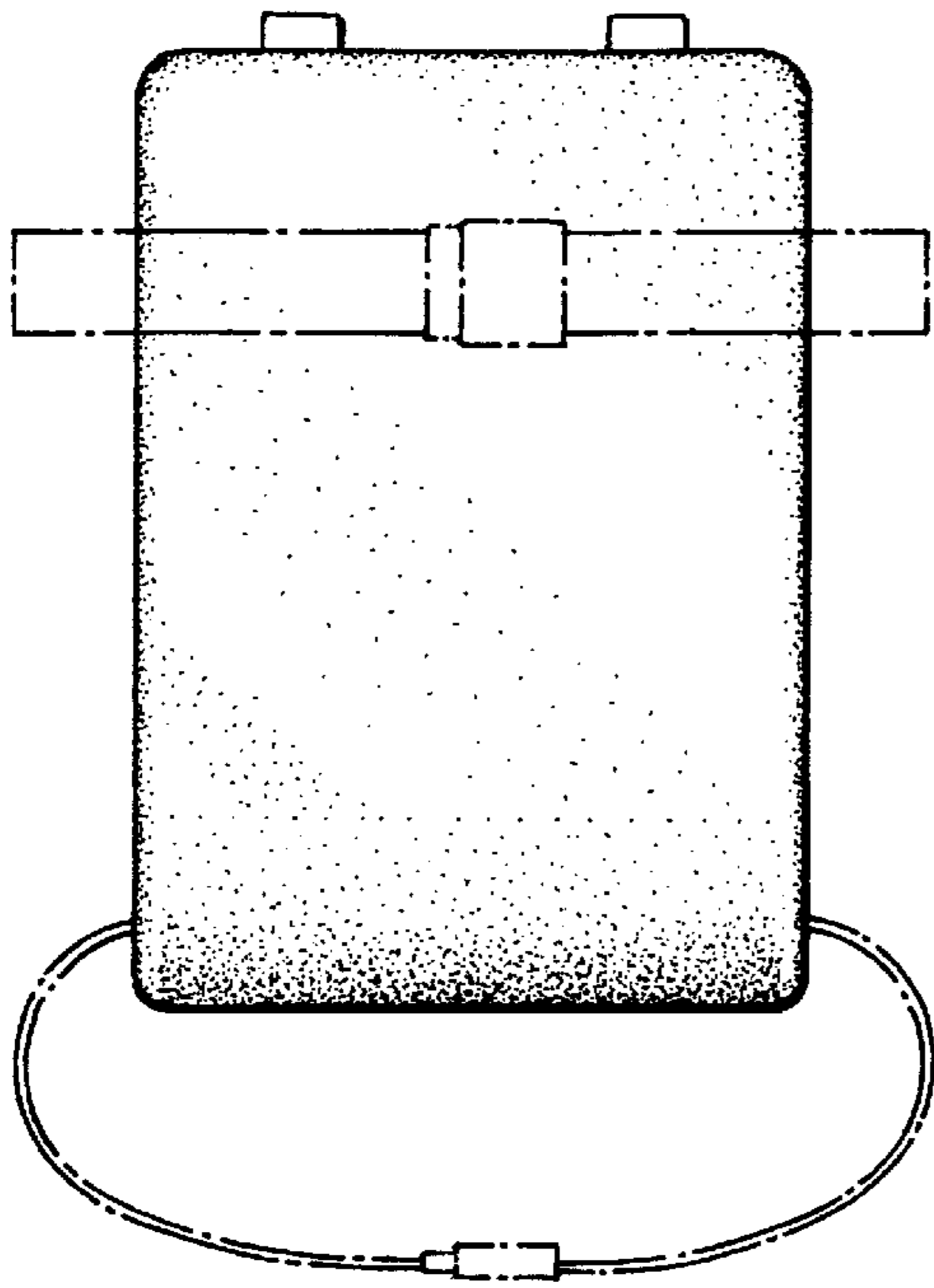
**FIG 1**



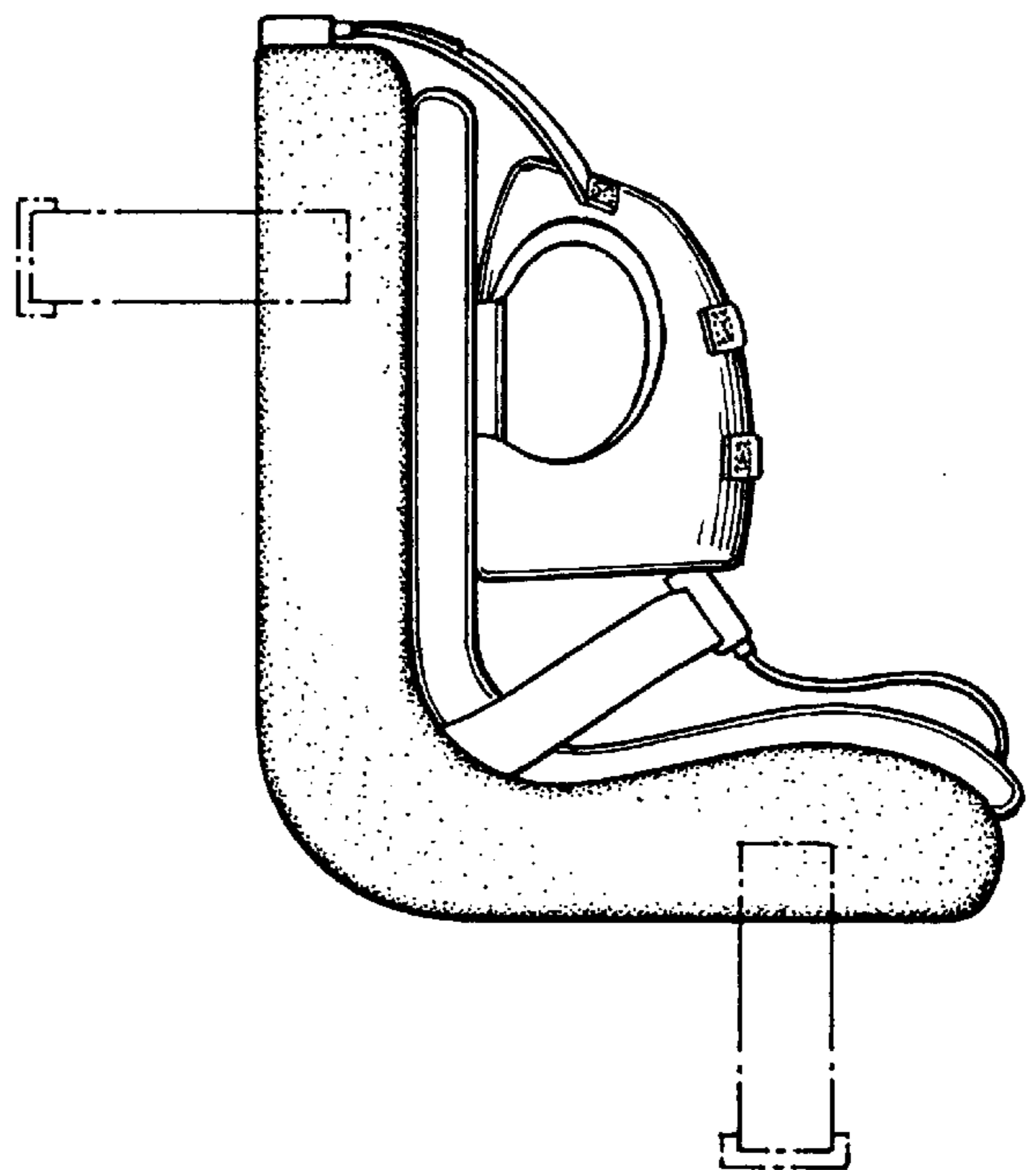
**FIG 2**



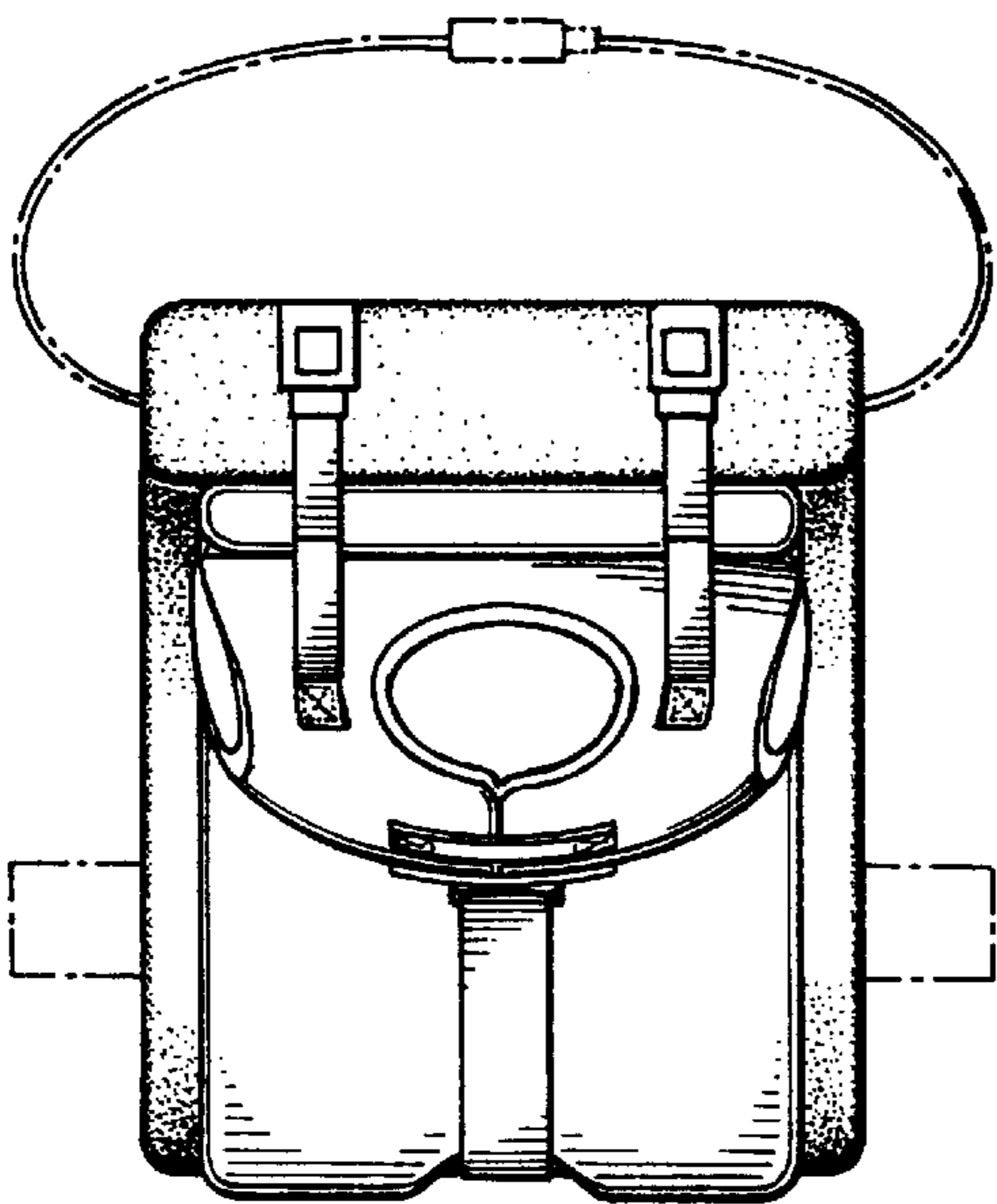
**FIG 3**



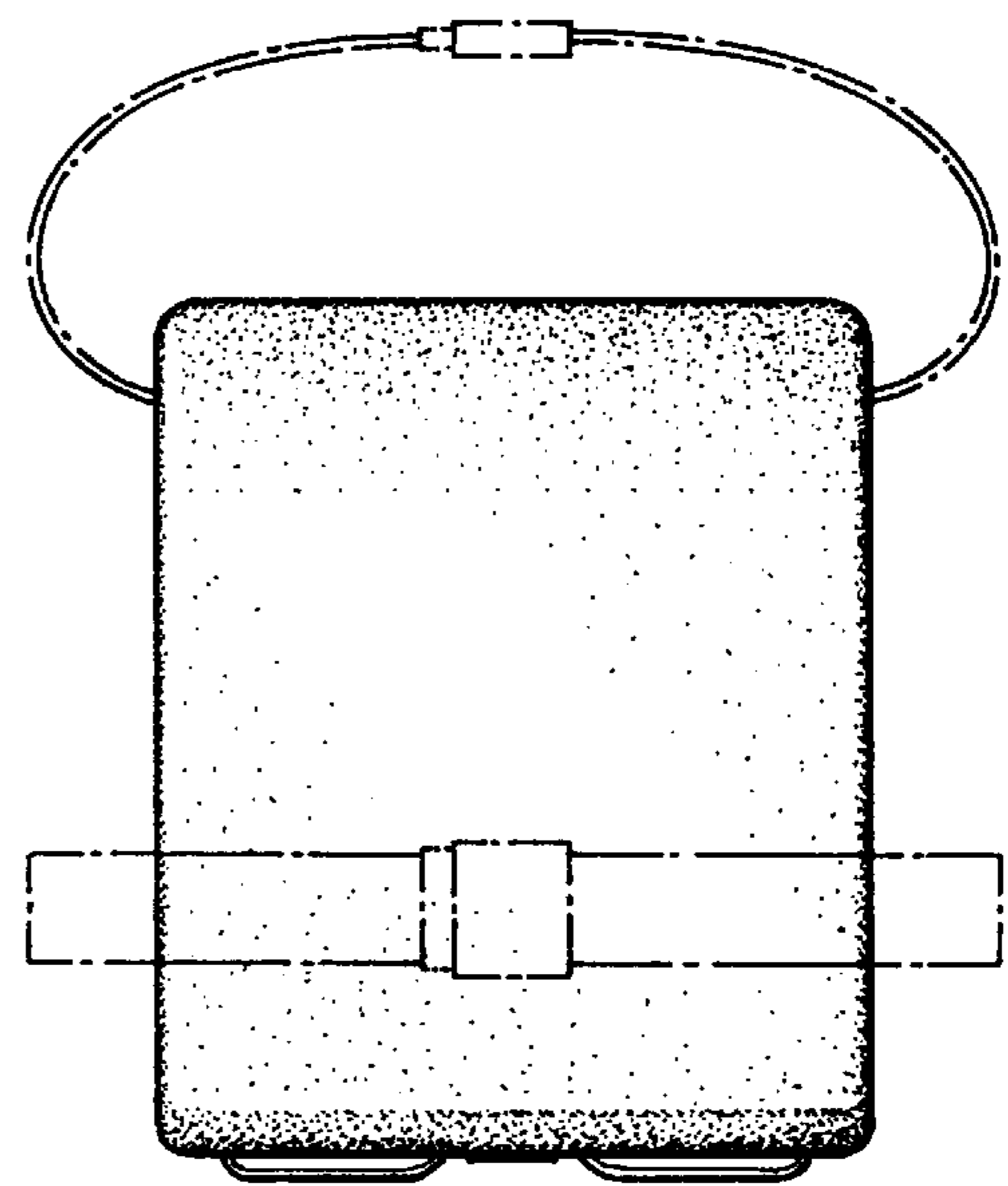
**FIG 4**



**FIG 5**



**FIG 6**



**FIG 7**