



US00D400605S

**United States Patent** [19]  
**Rodriguez Ferre**

[11] **Patent Number: Des. 400,605**

[45] **Date of Patent: \*\*Nov. 3, 1998**

[54] **TOY MOTORCYCLE**

**OTHER PUBLICATIONS**

[76] Inventor: **Jose Manuel Rodriguez Ferre**, Polig. Industrial Derramador, c/1 Albacete s/n-03440, IBI (Alicante), Spain

Harley-Davidson Genuine Parts and Accessories pp. 70-71, 1995.

Harley-Davidson an American Classic by Doug Mitchel, pp. 94-95 (FLHTC Ultra 1994), 1996.

[\*\*] Term: **14 Years**

*Primary Examiner*—Philip S. Hyder  
*Assistant Examiner*—Adir Aronovich

[21] Appl. No.: **50,082**

[22] Filed: **Feb. 8, 1996**

[57] **CLAIM**

[30] **Foreign Application Priority Data**

The ornamental design for a toy motorcycle, as shown and described.

Oct. 11, 1995 [ES] Spain ..... 136024

**DESCRIPTION**

[51] **LOC (6) Cl.** ..... **21-01**

FIG. 1 is a left view of a toy motorcycle showing my new design;

[52] **U.S. Cl.** ..... **D21/134; D12/110; D21/81**

FIG. 2 is a right view thereof;

[58] **Field of Search** ..... **D12/110; D21/81,**

FIG. 3 is a front view thereof;

**D21/134; 180/219; 446/440**

FIG. 4 is a rear view thereof; and,

[56] **References Cited**

FIG. 5 is a top plan view thereof.

**U.S. PATENT DOCUMENTS**

The bottom of the toy motorcycle forms no part of the claimed design.

D. 284,018 5/1986 Lin ..... D21/134

D. 285,185 8/1986 Morioka et al. .... D12/110

4,871,041 10/1989 Saito et al. .... 180/219

5,109,942 5/1992 Akimori et al. .... 180/219

**1 Claim, 5 Drawing Sheets**

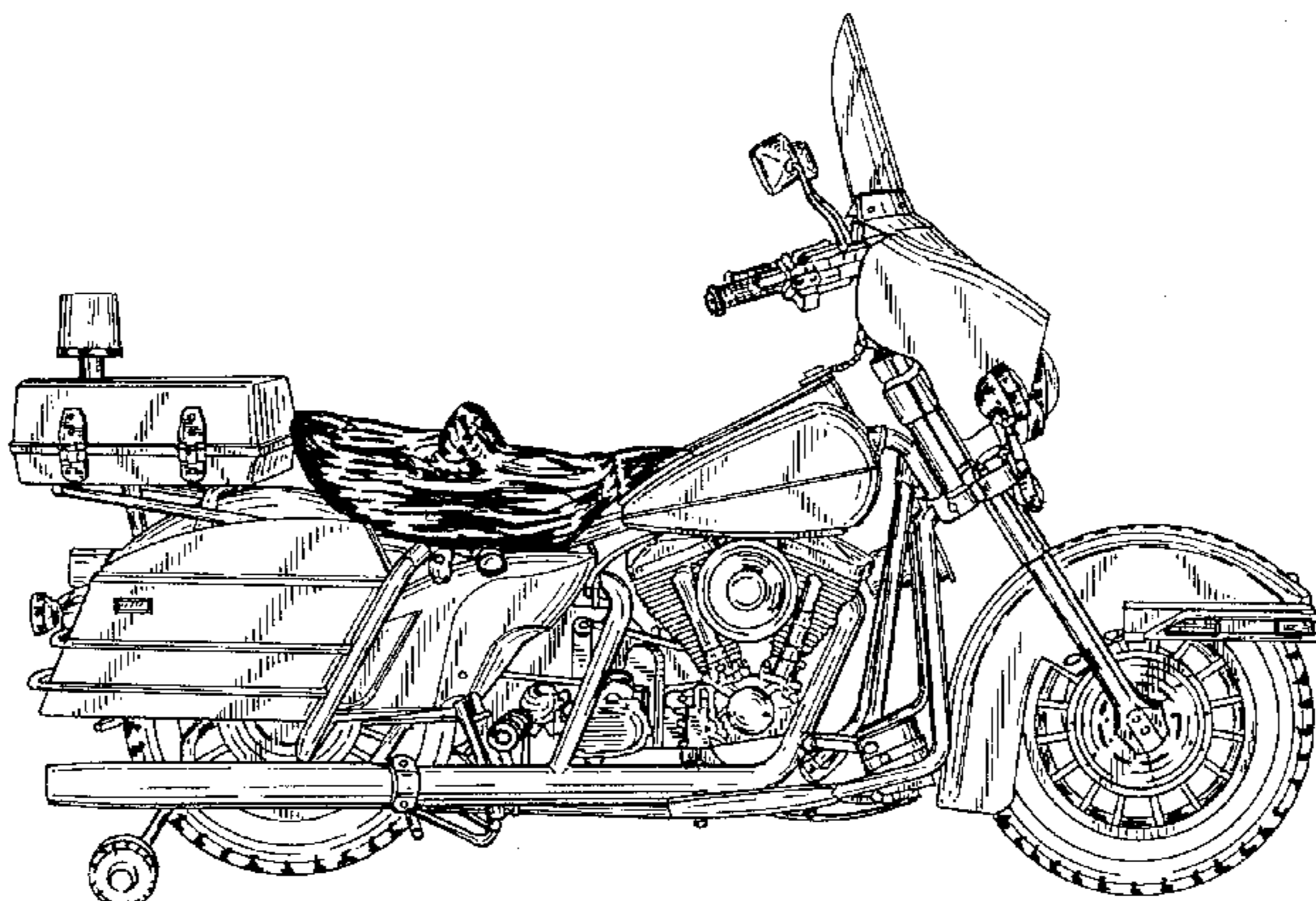
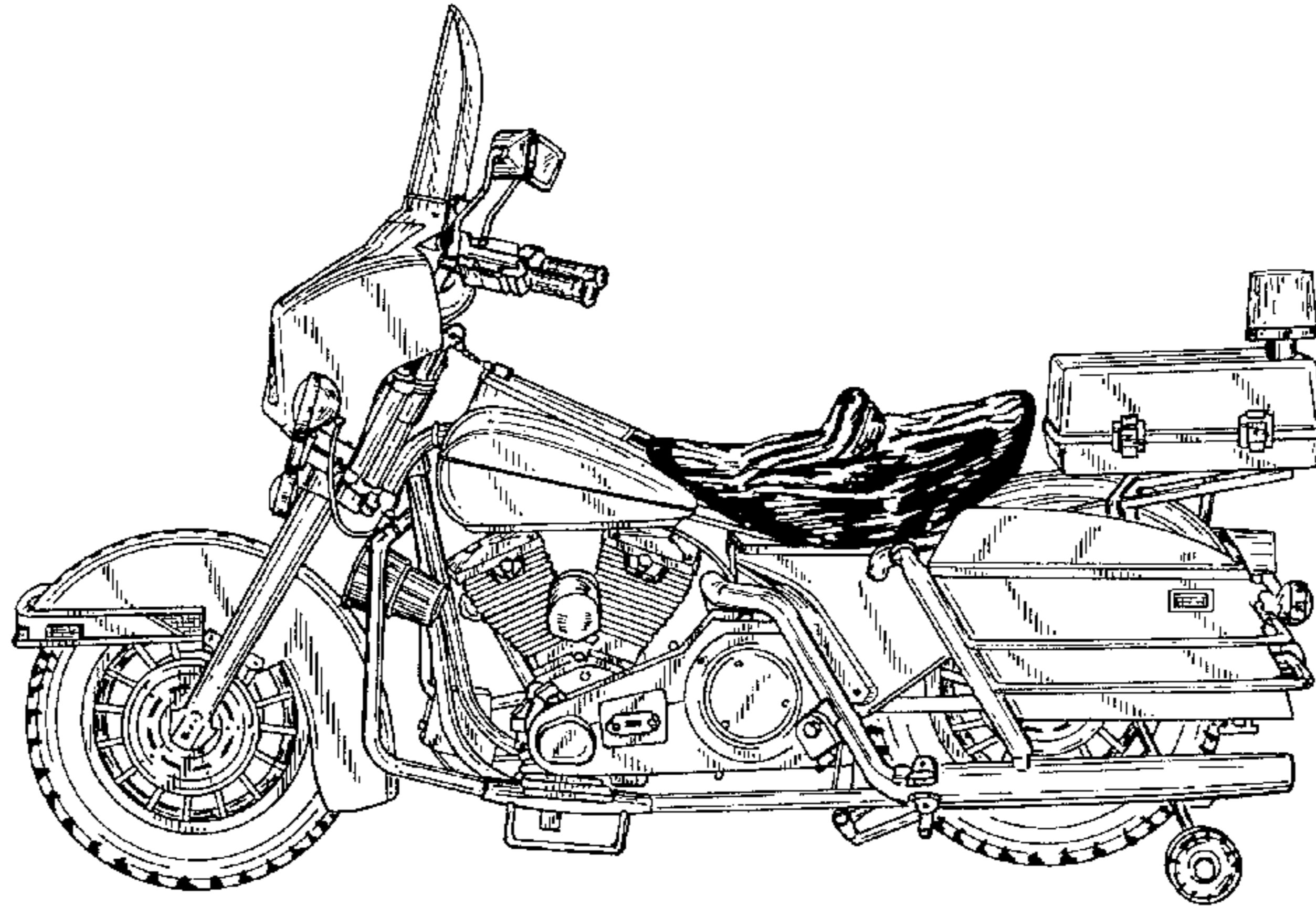
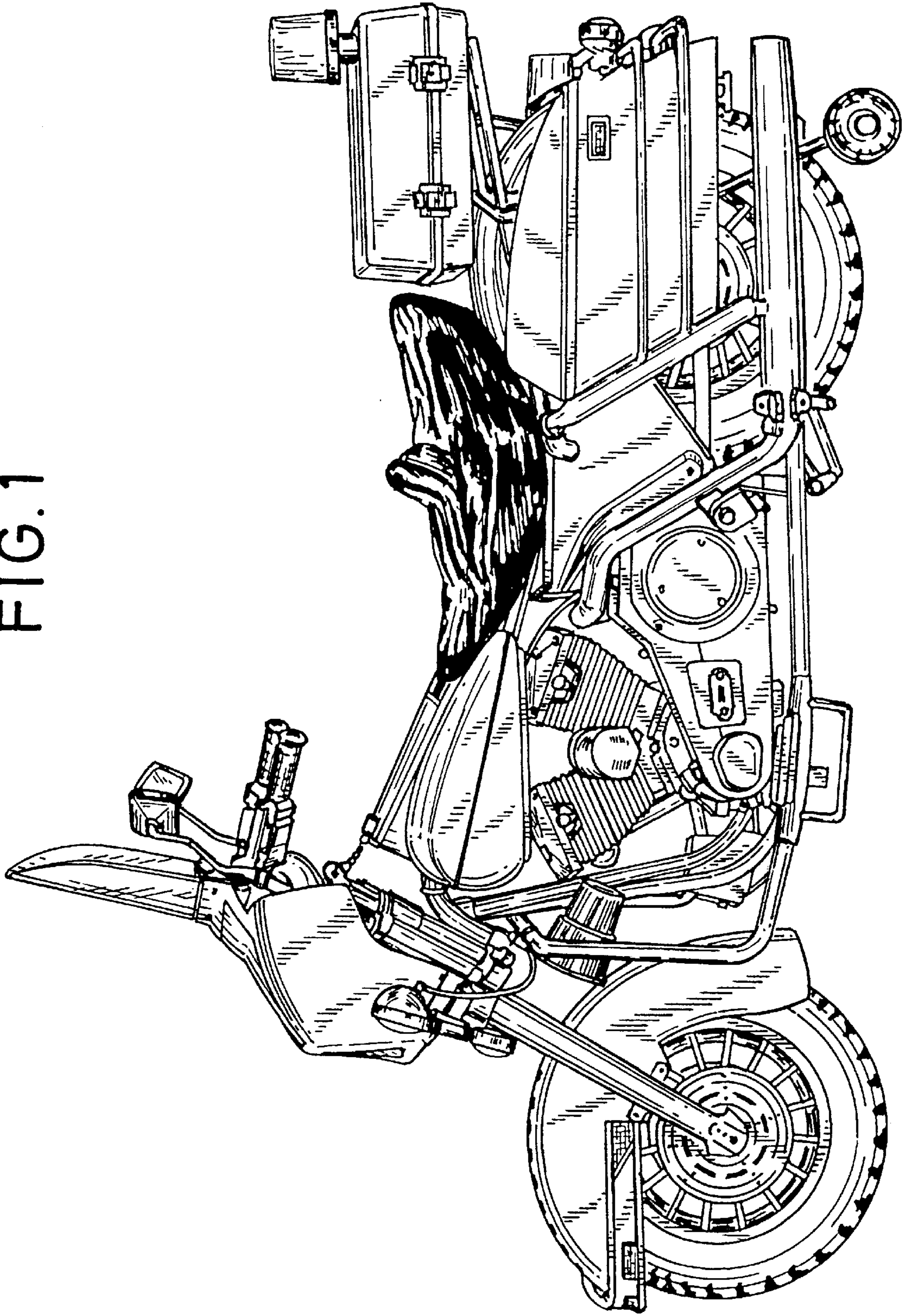


FIG. 1



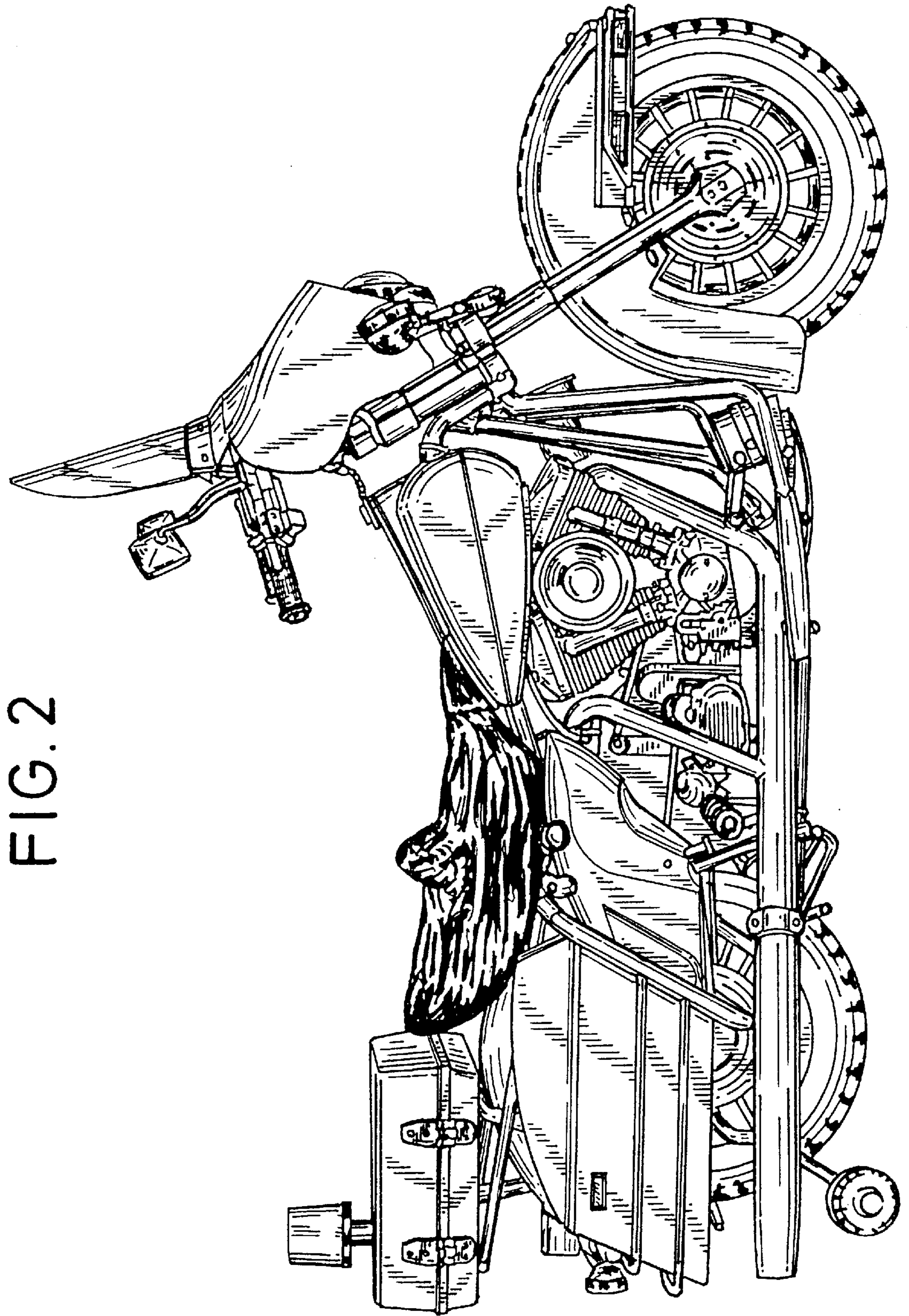


FIG. 2

FIG. 3

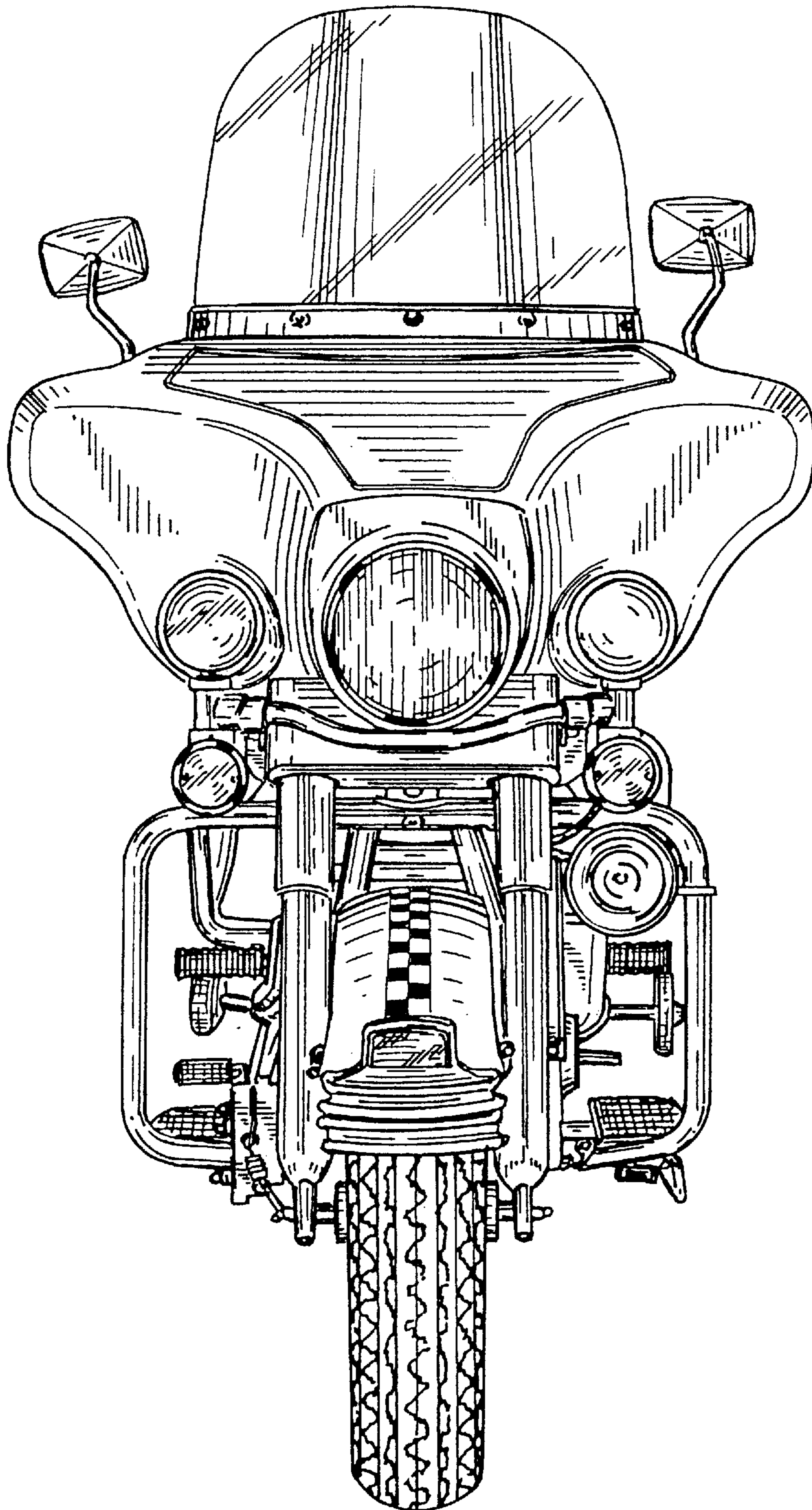


FIG. 4

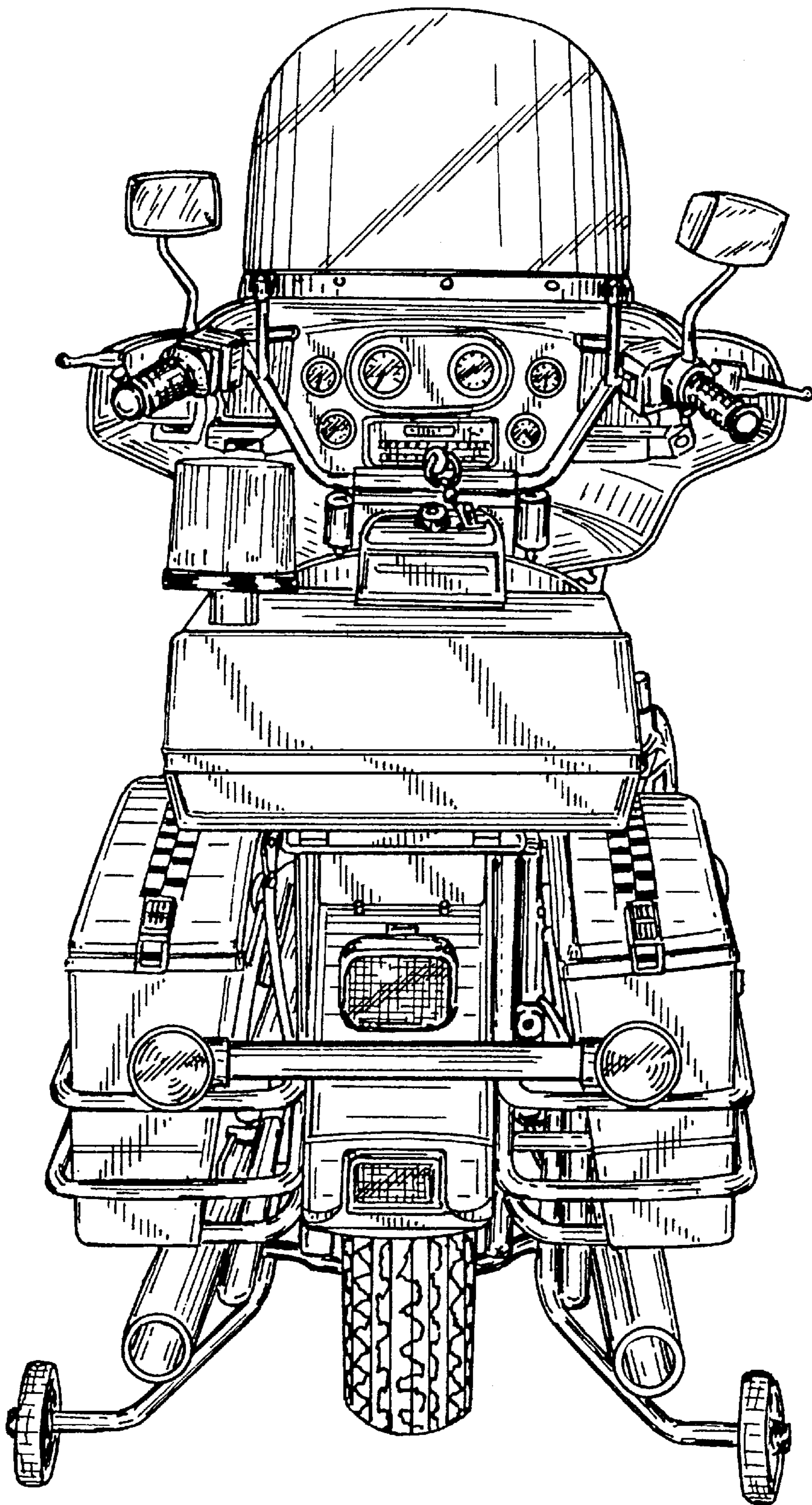


FIG. 5

