



US00D400602S

United States Patent [19]

Glickman et al.

[11] **Patent Number: Des. 400,602**

[45] **Date of Patent: **Nov. 3, 1998**

[54] **RECTANGULAR PANEL FOR CONSTRUCTION TOY SET**

[75] Inventors: **Joel I. Glickman**, Huntingdon Valley; **Rachele Carlson**, Lansdale; **Mark McCormick**, Hatfield, all of Pa.

D. 389,400	1/1998	Liang	D21/108
3,229,386	1/1966	Schott	446/120
3,500,606	3/1970	Wharmby	446/125
4,253,268	3/1981	Mayr	446/103
5,061,219	10/1991	Glickman	446/120
5,100,358	3/1992	Volgger	446/120
5,183,430	2/1993	Swann	446/111
5,199,919	4/1993	Glickman	446/120

[73] Assignee: **Connector Set Limited Partnership**, Hatfield, Pa.

[**] Term: **14 Years**

Primary Examiner—Raphael Barkai
Attorney, Agent, or Firm—Schweitzer Cornman Gross & Bondell LLP

[21] Appl. No.: **77,446**

[57] CLAIM

[22] Filed: **Oct. 3, 1997**

The ornamental design for a rectangular panel for construction toy set, as shown and described.

[51] **LOC (6) Cl. 21-01**

DESCRIPTION

[52] **U.S. Cl. D21/108**

[58] **Field of Search** D21/108; 446/103, 446/105, 93, 95, 108, 111–116, 120, 121, 124–126, 128

FIG. 1 is a top plan view of a rectangular panel, showing our new design, the bottom being substantially identical to the top;

FIG. 2 is a side elevational view of the panel, all four sides being substantially identical; and,

FIG. 3 is a perspective view of the panel from the top.

The circular aperture shown in dotted lines forms no part of the new design.

[56] References Cited

U.S. PATENT DOCUMENTS

D. 296,344	6/1988	Olsen	D21/108
D. 339,265	9/1993	Caesson	D21/108
D. 380,792	7/1997	Gabriel	D21/108

1 Claim, 1 Drawing Sheet

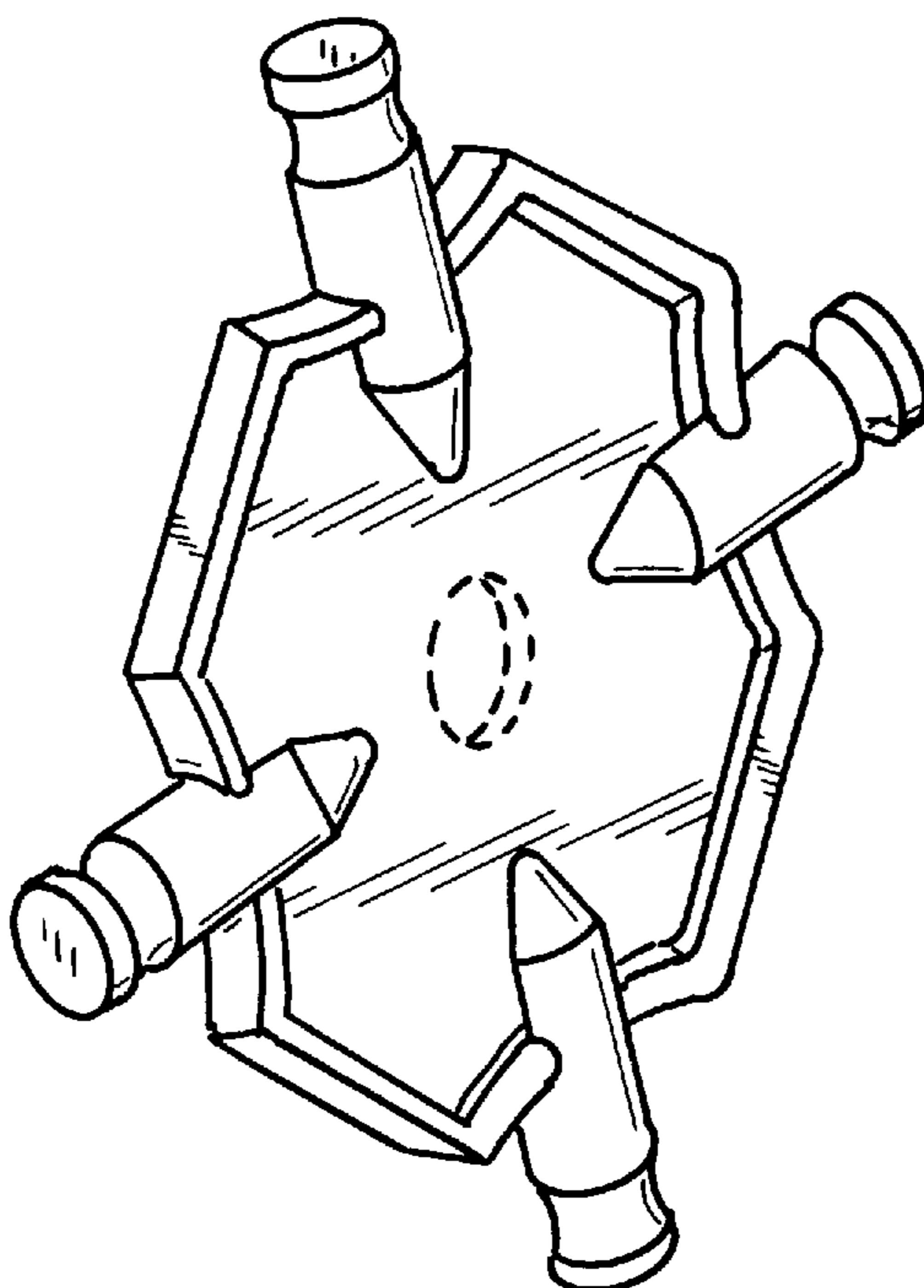


FIG. 3

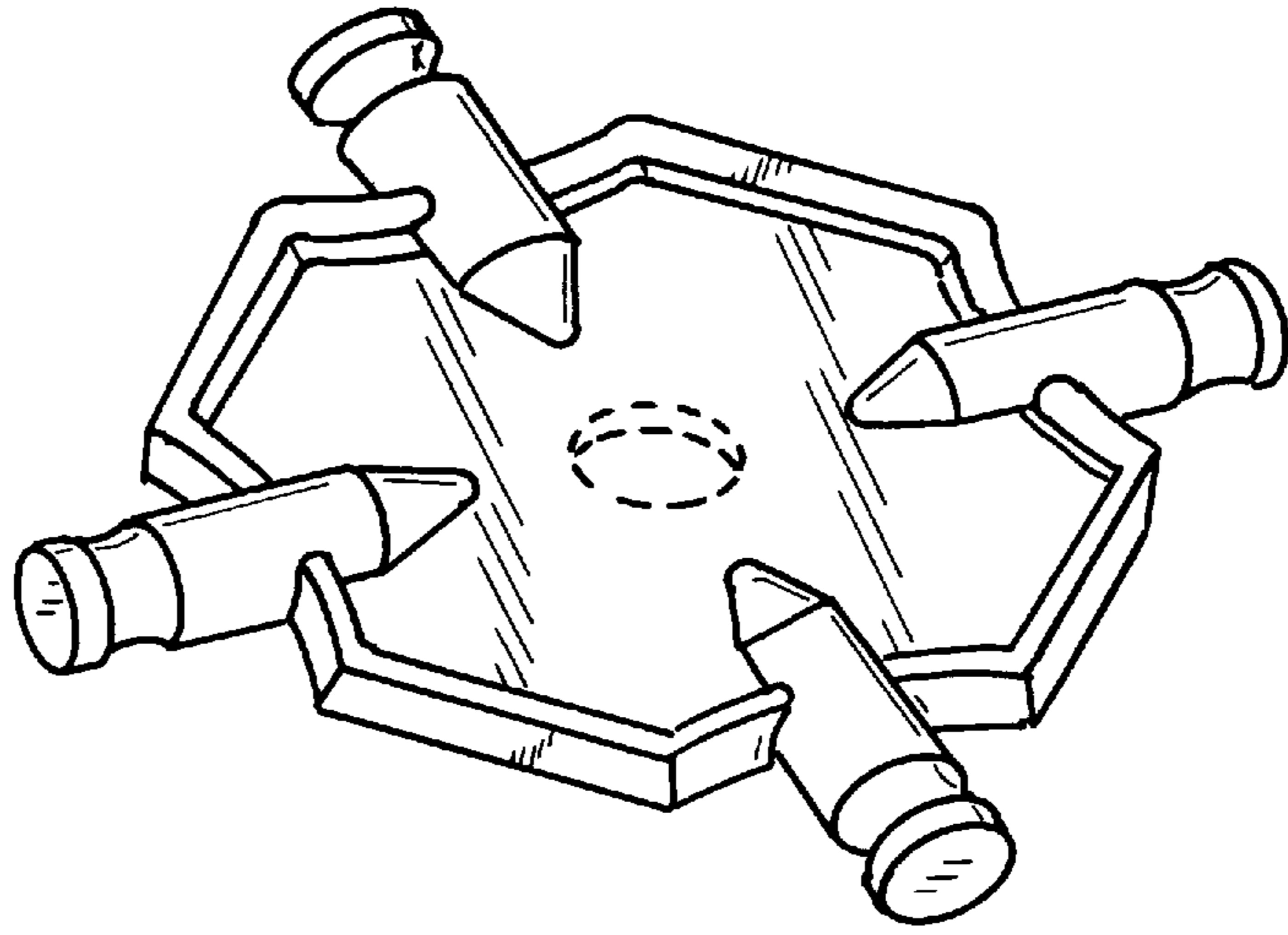


FIG. 2

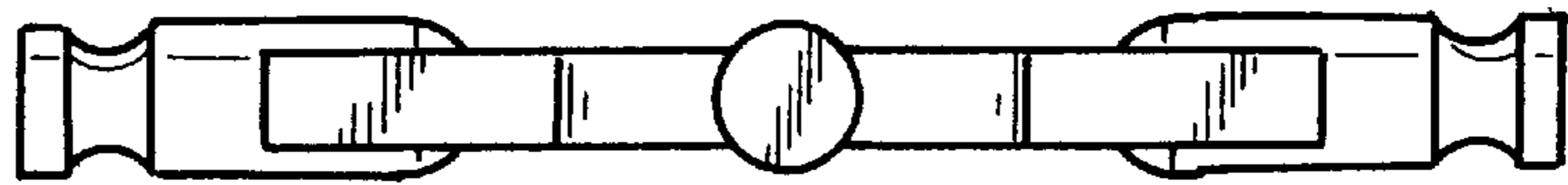


FIG. 1

