



US00D400600S

United States Patent [19]

Ackerman et al.

[11] Patent Number: **Des. 400,600**

[45] Date of Patent: ****Nov. 3, 1998**

[54] **JIGSAW PUZZLE ASSEMBLY AND STORAGE DEVICE**

[76] Inventors: **Mary L. Ackerman**, 2010 Glen Haven St., Arlington, Tex. 76010; **Stewart E. Gartman**, 12025 E. FM 917, Alvarado, Tex. 76009

[**] Term: **14 Years**

[21] Appl. No.: **74,843**

[22] Filed: **Jul. 25, 1997**

[51] **LOC (6) Cl.** **21-01**

[52] **U.S. Cl.** **D21/104; D21/54**

[58] **Field of Search** **D21/54, 55, 104; D6/633, 635; 273/157 R**

[56] **References Cited**

U.S. PATENT DOCUMENTS

D. 29,004	7/1898	Coles	D21/54
D. 293,855	1/1988	Sutou et al.	D6/633
D. 335,152	4/1993	Hollrah	D21/104
D. 356,608	3/1995	Poon	D21/54
1,987,496	1/1935	Springborn	273/157 R
3,504,915	4/1970	Walker	273/157 R
3,792,668	2/1974	Ward	.	
4,302,013	11/1981	Kavis	273/157 R
4,436,307	3/1984	Caldwell	273/157 R

4,479,651	10/1984	LaFleur	273/157 R
4,484,745	11/1984	Sleeper	273/157 R
4,552,361	11/1985	Lafleur	273/157 R
4,865,325	9/1989	Stolz	273/157 R
4,984,798	1/1991	Silberstein	273/157 R
5,651,547	7/1997	Rannelli	273/157 R

Primary Examiner—Sandra L. Morris
Attorney, Agent, or Firm—Stephen R. Greiner

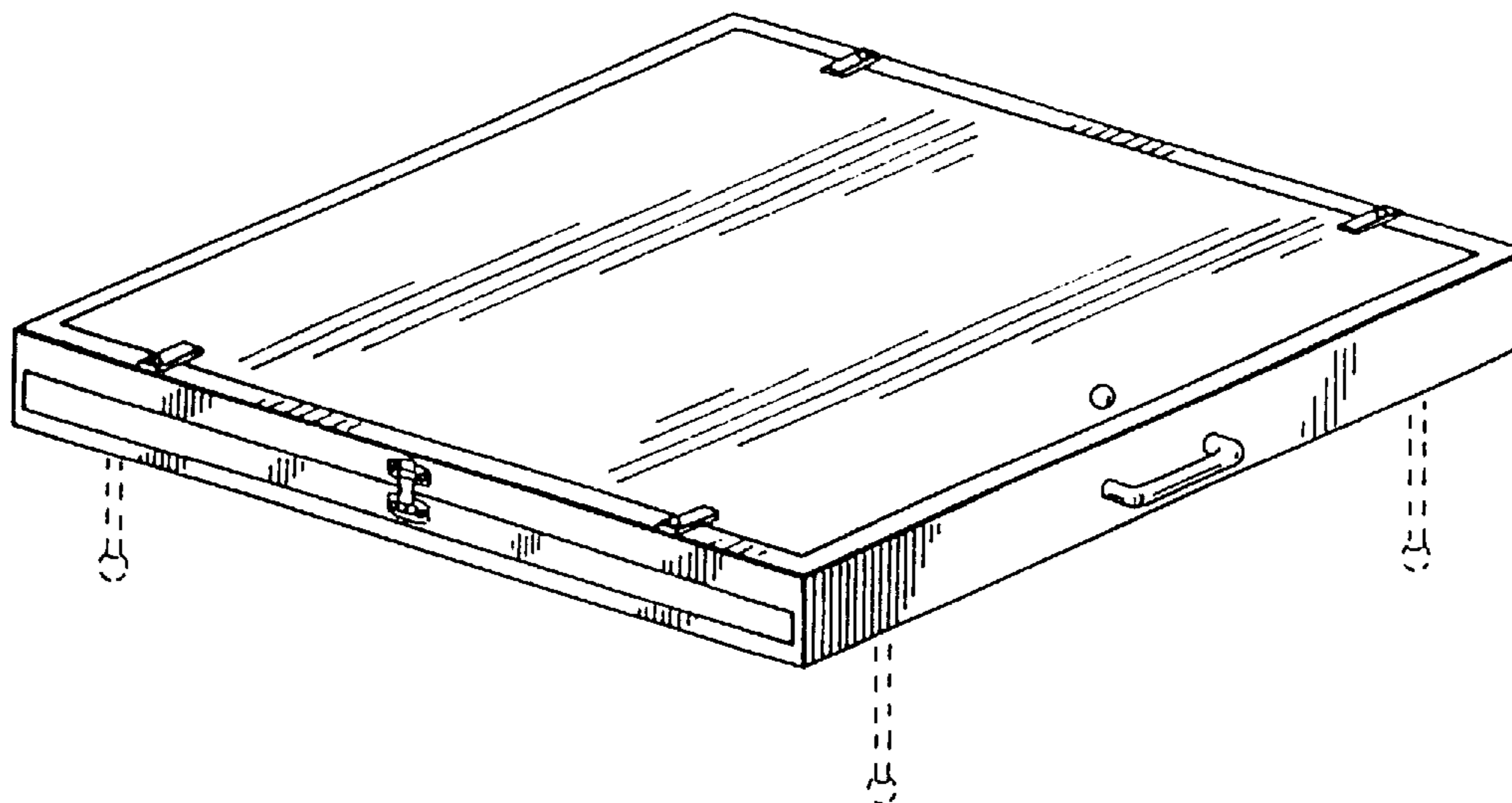
[57] **CLAIM**

The ornamental design for a jigsaw puzzle assembly and storage device, as shown and described.

DESCRIPTION

FIG. 1 is a perspective view of a jigsaw puzzle assembly and storage device showing our new design in a closed position; FIG. 2 is a right side elevational view thereof with the left side being a mirror image of the right side; FIG. 3 is a top plan view thereof; FIG. 4 is a bottom plan view thereof; FIG. 5 is a front elevational view thereof; FIG. 6 is a rear elevational view thereof; and, FIG. 7 is a perspective view thereof in an opened position. The broken line showing of support means in FIGS. 1 and 7 is for illustrative purposes only and forms no part of the claimed design.

1 Claim, 3 Drawing Sheets



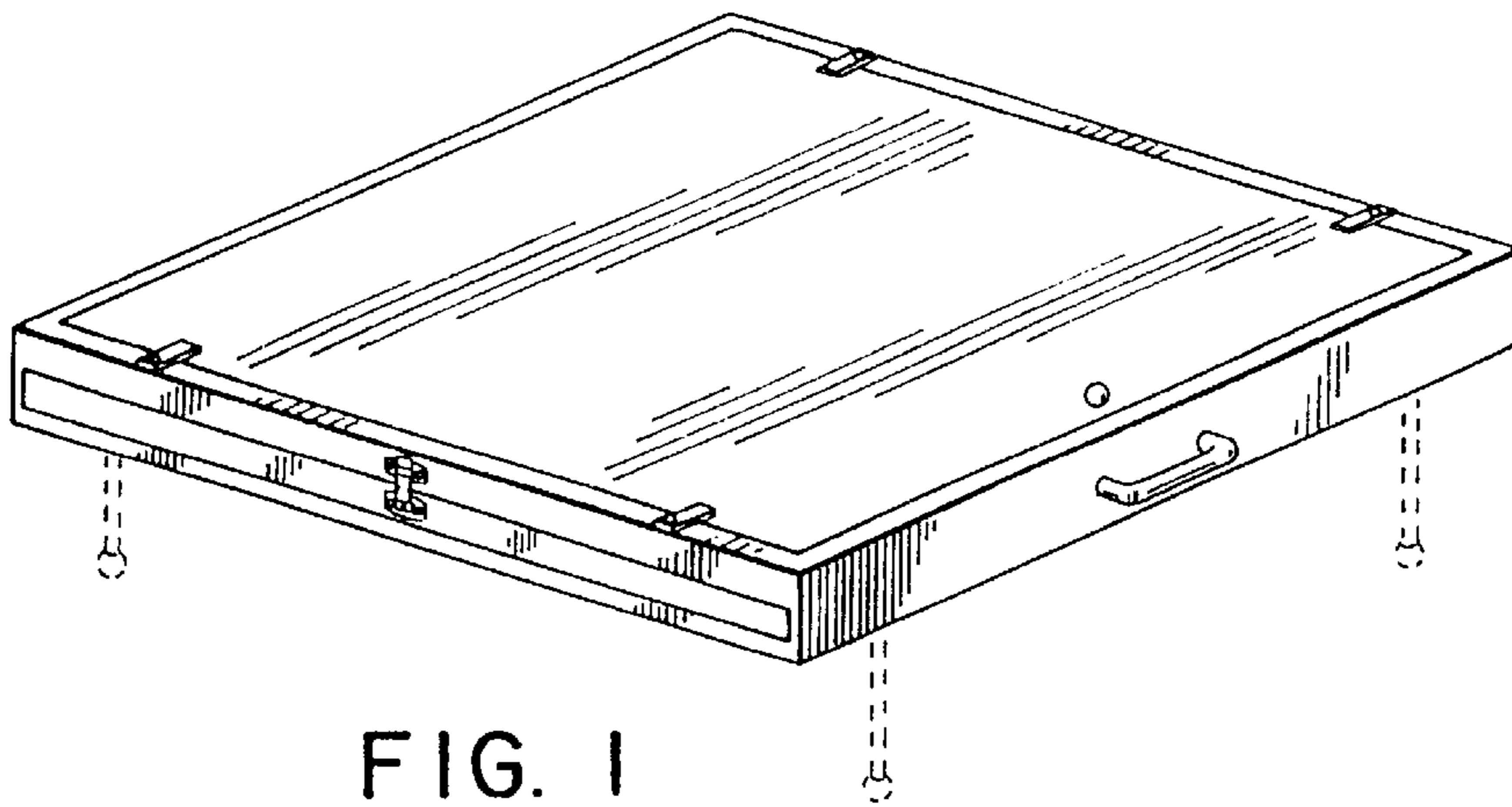


FIG. 1

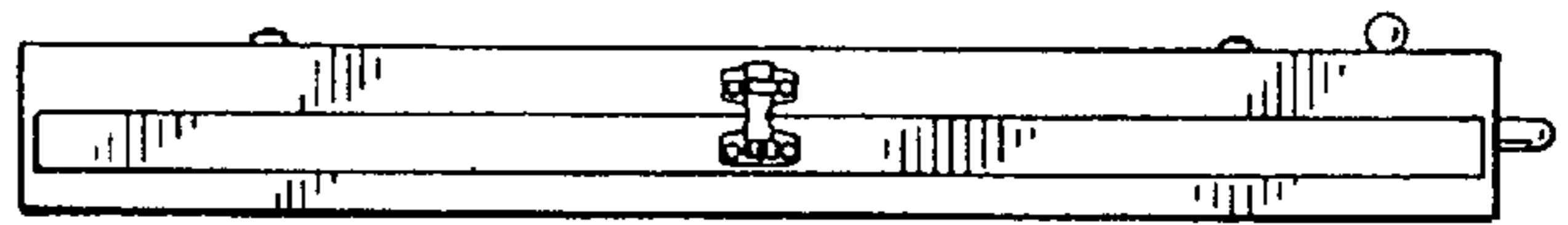


FIG. 2

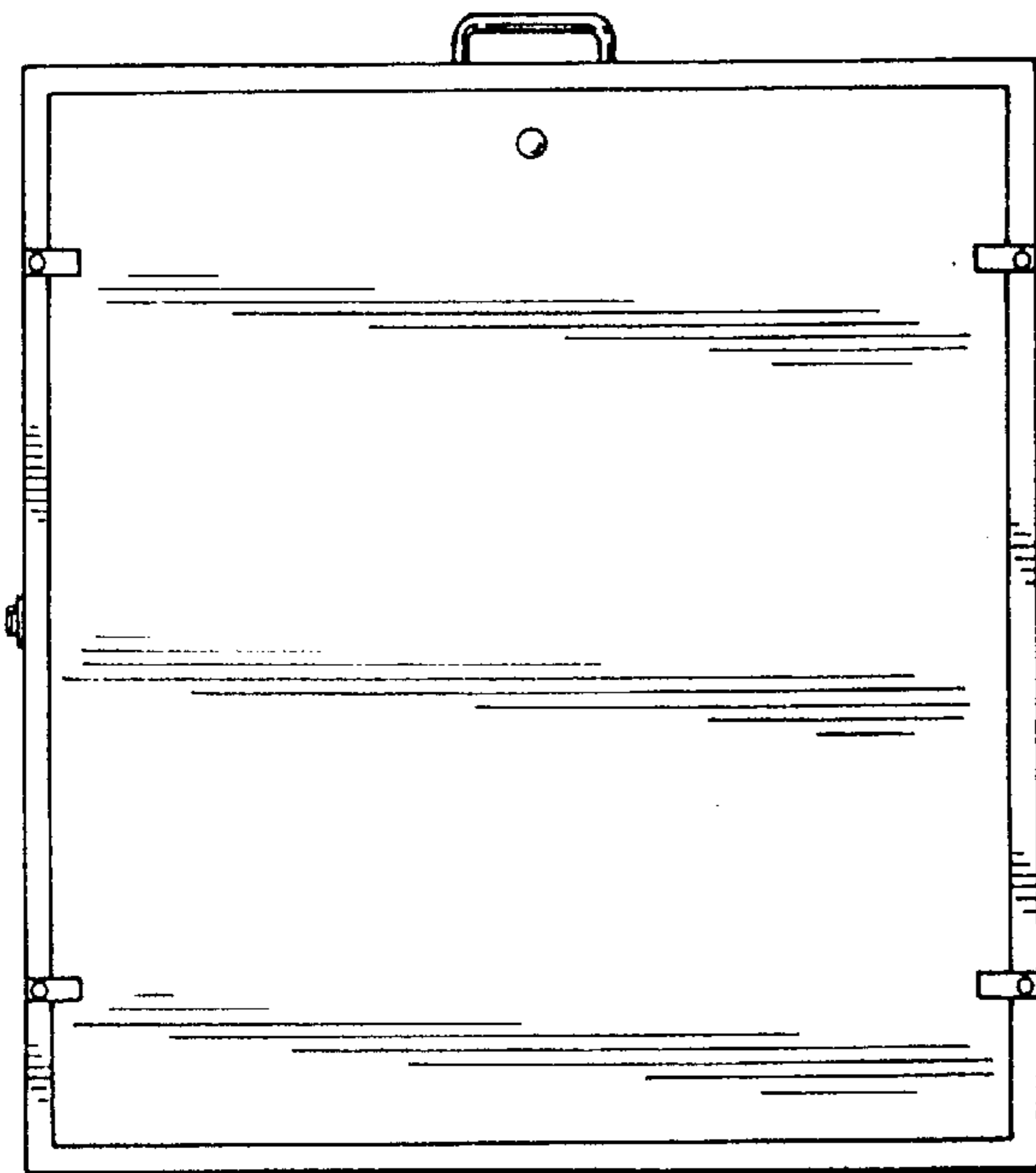


FIG. 3

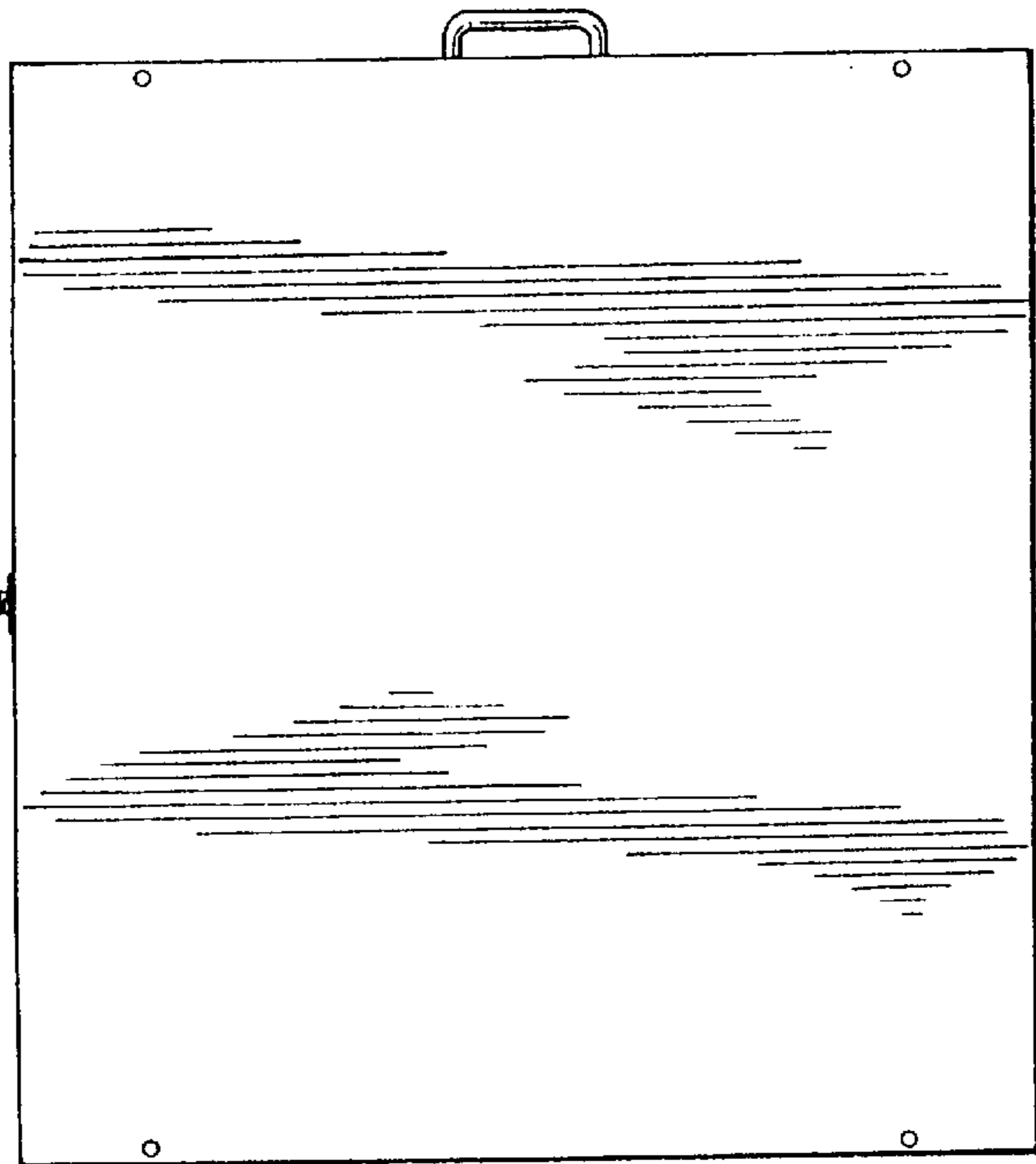


FIG. 4

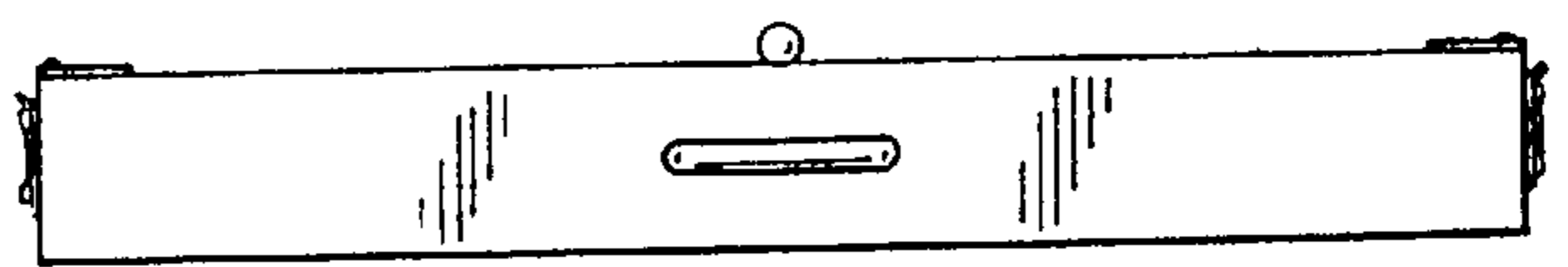


FIG. 5

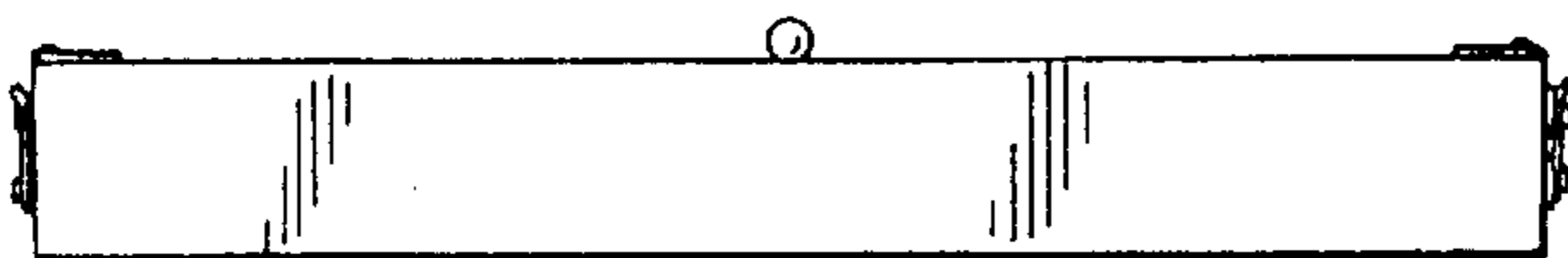


FIG. 6

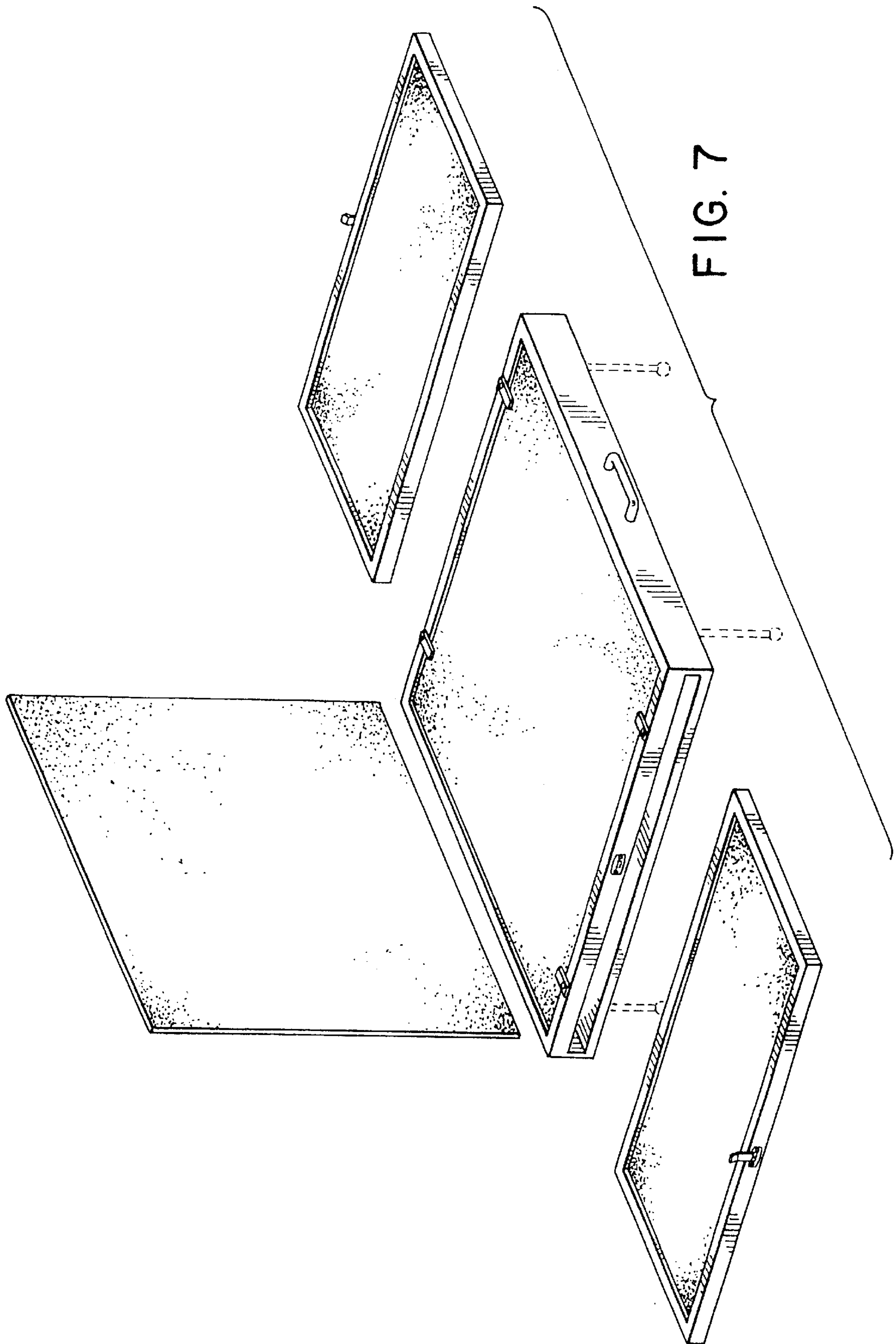


FIG. 7