



US00D400596S

United States Patent [19]

Keung et al.

[11] Patent Number: Des. 400,596

[45] Date of Patent: **Nov. 3, 1998

[54] ELECTRONIC GAME HOUSING

[75] Inventors: **Yung Siu Keung**, Kowloon; **Ngan Hon Kin**, Ma On Shan, both of Hong Kong

[73] Assignee: **Tiger Electronics, Ltd.**, Pawtucket, R.I.

[**] Term: **14 Years**

[21] Appl. No.: **78,329**

[22] Filed: **Oct. 21, 1997**

[51] LOC (6) Cl. **21-01**

[52] U.S. Cl. **D21/13**

[58] Field of Search D21/1, 13, 48;
273/148 B; 463/1, 29-35, 46, 47

[56] References Cited

U.S. PATENT DOCUMENTS

D. 262,720	1/1982	Dweck	D21/13
D. 270,075	8/1983	Tsuyuki	.	
D. 309,161	7/1990	Leung	D21/13
D. 313,434	1/1991	Fung	.	
D. 320,624	10/1991	Taylor	.	
D. 324,548	3/1992	Ashida	.	
D. 334,218	3/1993	Lee	.	
D. 336,315	6/1993	Kitaue	.	
D. 342,762	12/1993	Wing	.	
D. 347,246	5/1994	Wen	D21/13
D. 347,864	6/1994	Duong	.	
D. 349,519	8/1994	Tanaka	.	
D. 352,329	11/1994	Takiya	.	
D. 353,410	12/1994	Chan	.	
D. 353,631	12/1994	Dudley et al.	.	
D. 354,993	1/1995	Morrison et al.	.	
D. 355,644	2/1995	Risko	.	
D. 356,344	3/1995	Rissman et al.	.	
D. 358,430	5/1995	Rissman et al.	.	
D. 359,992	7/1995	Chan	.	
D. 360,436	7/1995	Chan	.	
D. 362,692	9/1995	Rissman et al.	.	
D. 368,282	3/1996	Lin	D21/13
D. 369,190	4/1996	Feiz	.	
D. 380,501	7/1997	Osterhout et al.	D21/13

D. 382,914	8/1997	Ho et al.	D21/13
4,322,073	3/1982	Slavik et al.	.	
4,403,777	9/1983	Del Principe et al.	.	
4,404,865	9/1983	Kim	.	
4,969,647	11/1990	Mical et al.	.	
5,095,798	3/1992	Okada et al.	.	
5,161,803	11/1992	Ohara	.	
5,184,830	2/1993	Okada et al.	463/29
5,207,426	5/1993	Inoue et al.	.	
5,213,327	5/1993	Kitaue	.	
5,217,295	6/1993	Tortola et al.	362/109
5,232,223	8/1993	Dornbusch	.	

OTHER PUBLICATIONS

HongKong Enterprise, p. 133, Oct. 1994.
 HongKong Enterprise, p. 461, Oct. 1994.
 Hong Kong Enterprises, Oct. 1992, p. 353, Electronic Translators, Dictionaries & Games.
 Playthings, Mar. 1980, p. 16, Lakeside's Le Boom.
 Parker Brothers, Technical Information about Merlin The Electronic Wizard, Rules, copyright 1978.
 Midway™ Mortal Kombat Model 78-553, copyright 1992, p. 84.
 Hong Kong Enterprises, Oct. 1992, "SPACE MASTER".
 Hong Kong Enterprise, Oct. 1992, "WONDERMEGA".

Primary Examiner—Prabhakar G. Deshmukh
Attorney, Agent, or Firm—Fitch, Even, Tabin & Flannery

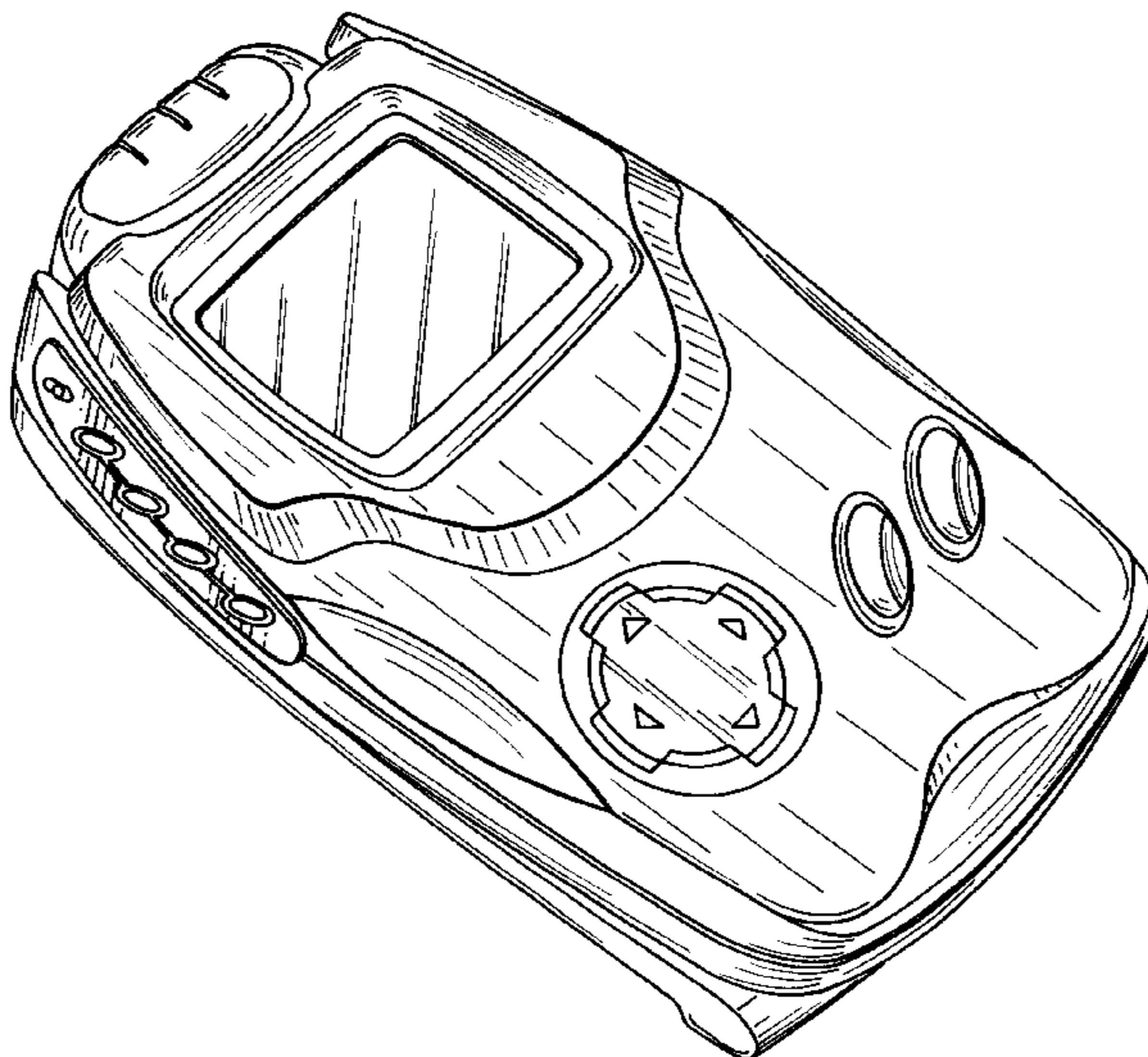
[57] CLAIM

The ornamental design for a electronic game housing, as shown and described.

DESCRIPTION

FIG. 1 is a perspective view of a electronic game showing our new design;
 FIG. 2 is a front elevational view thereof;
 FIG. 3 is a right side elevational view thereof;
 FIG. 4 is a rear elevational view thereof;
 FIG. 5 is a top plan view thereof;
 FIG. 6 is a bottom plan view thereof; and,
 FIG. 7 is a left side elevational view thereof.

1 Claim, 2 Drawing Sheets



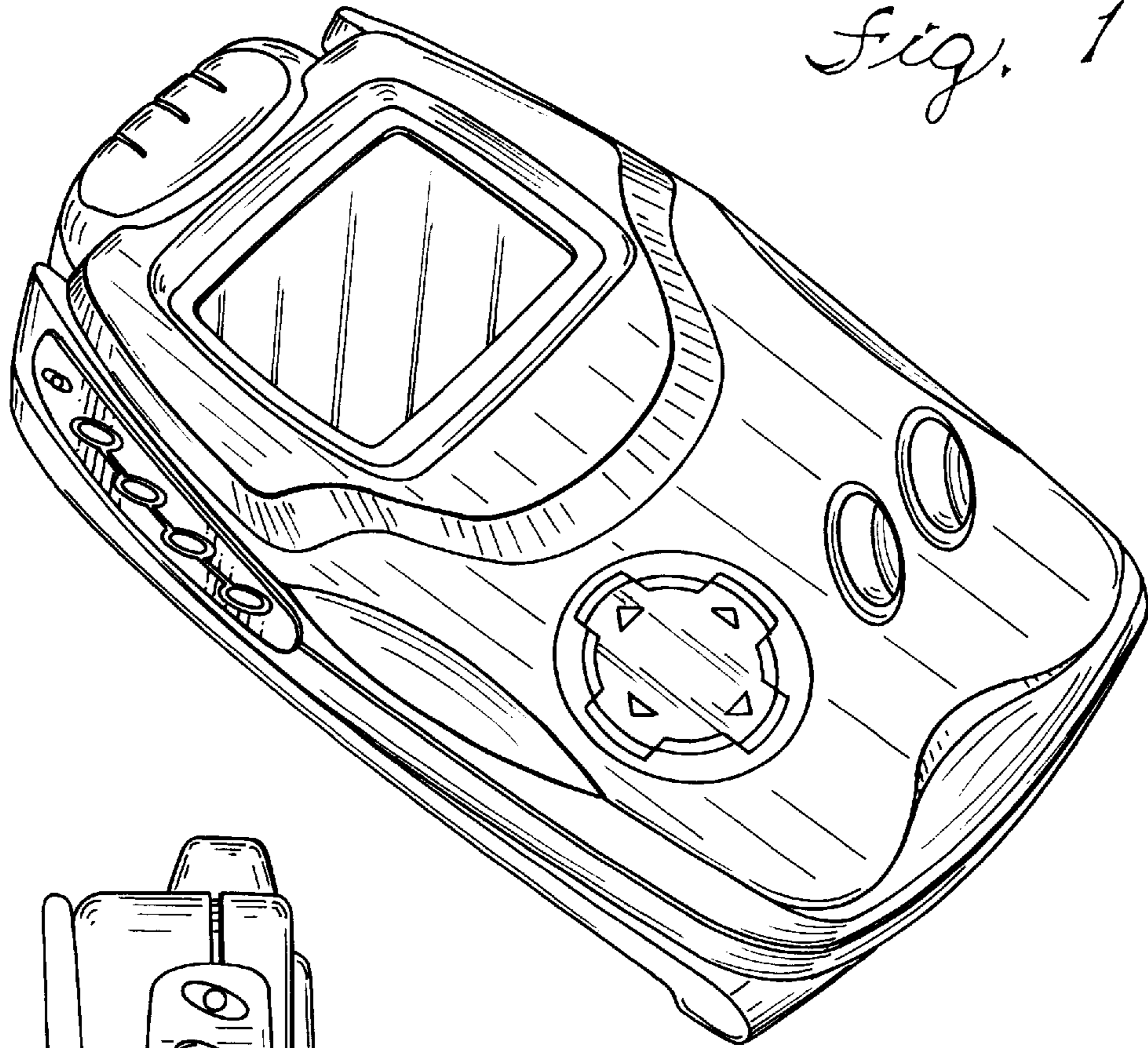


Fig. 1

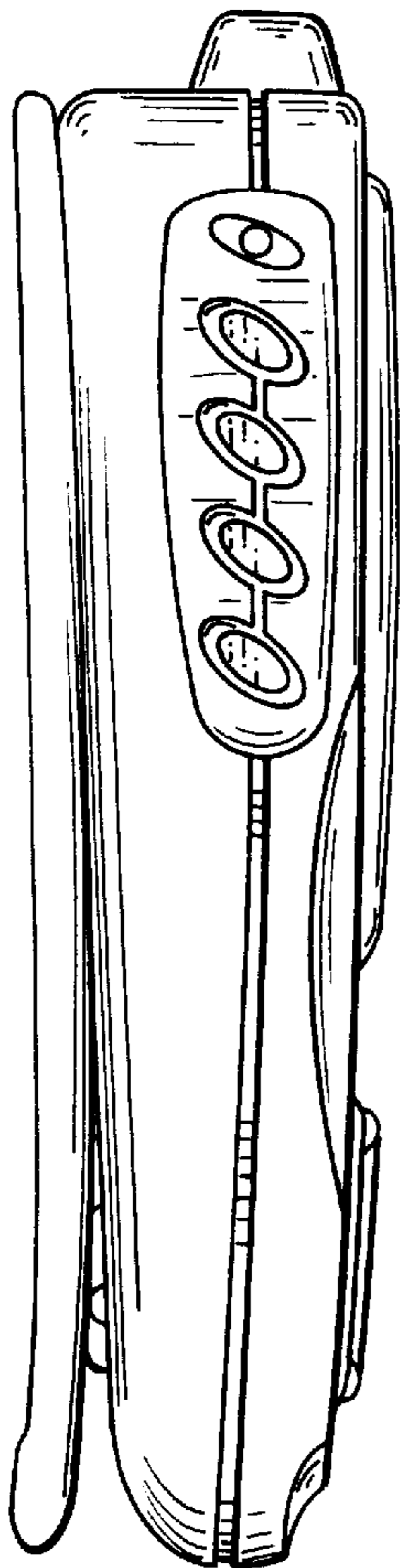


Fig. 7

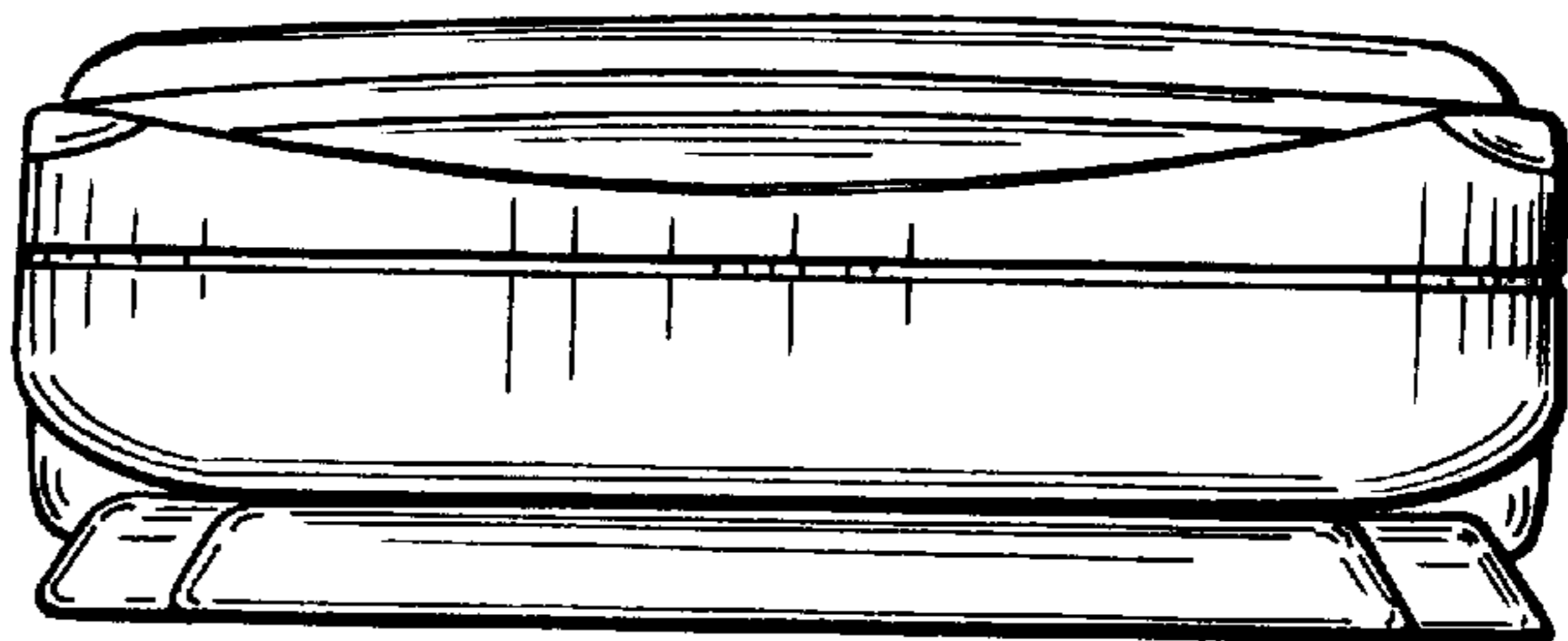


Fig. 6

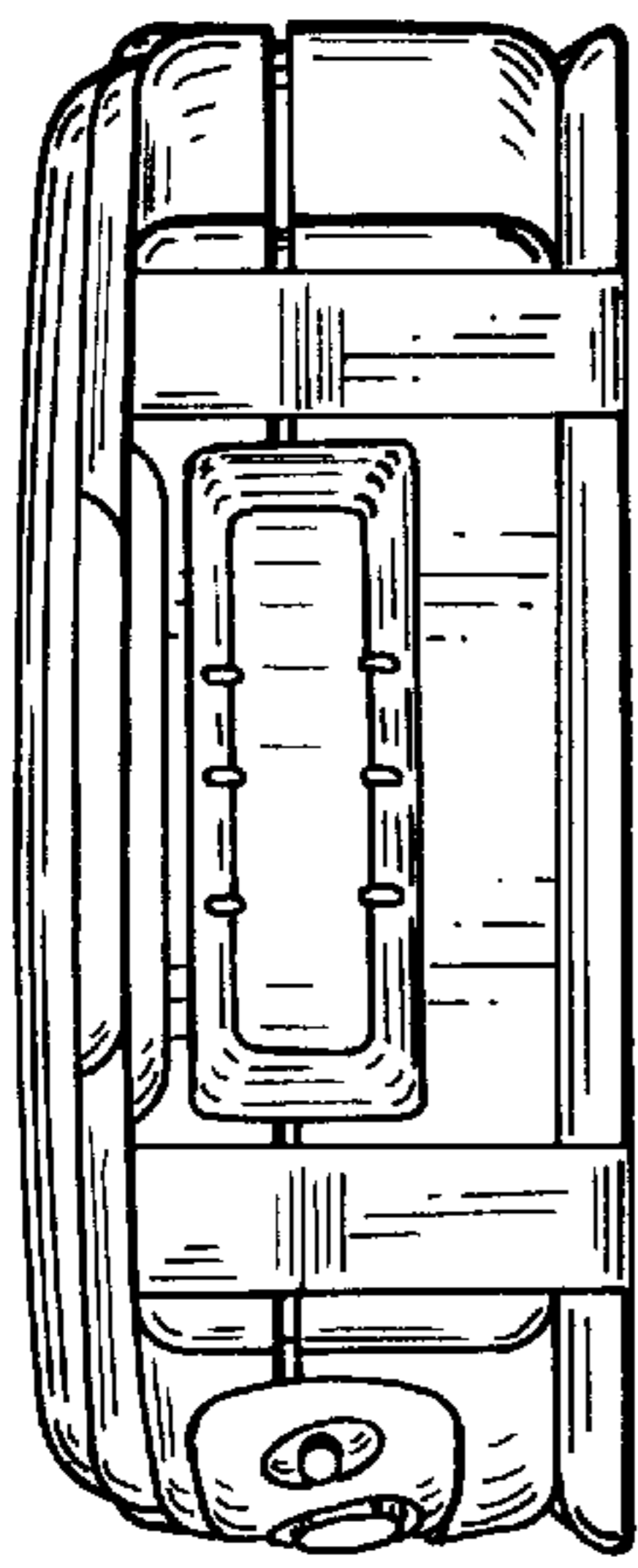


Fig. 5

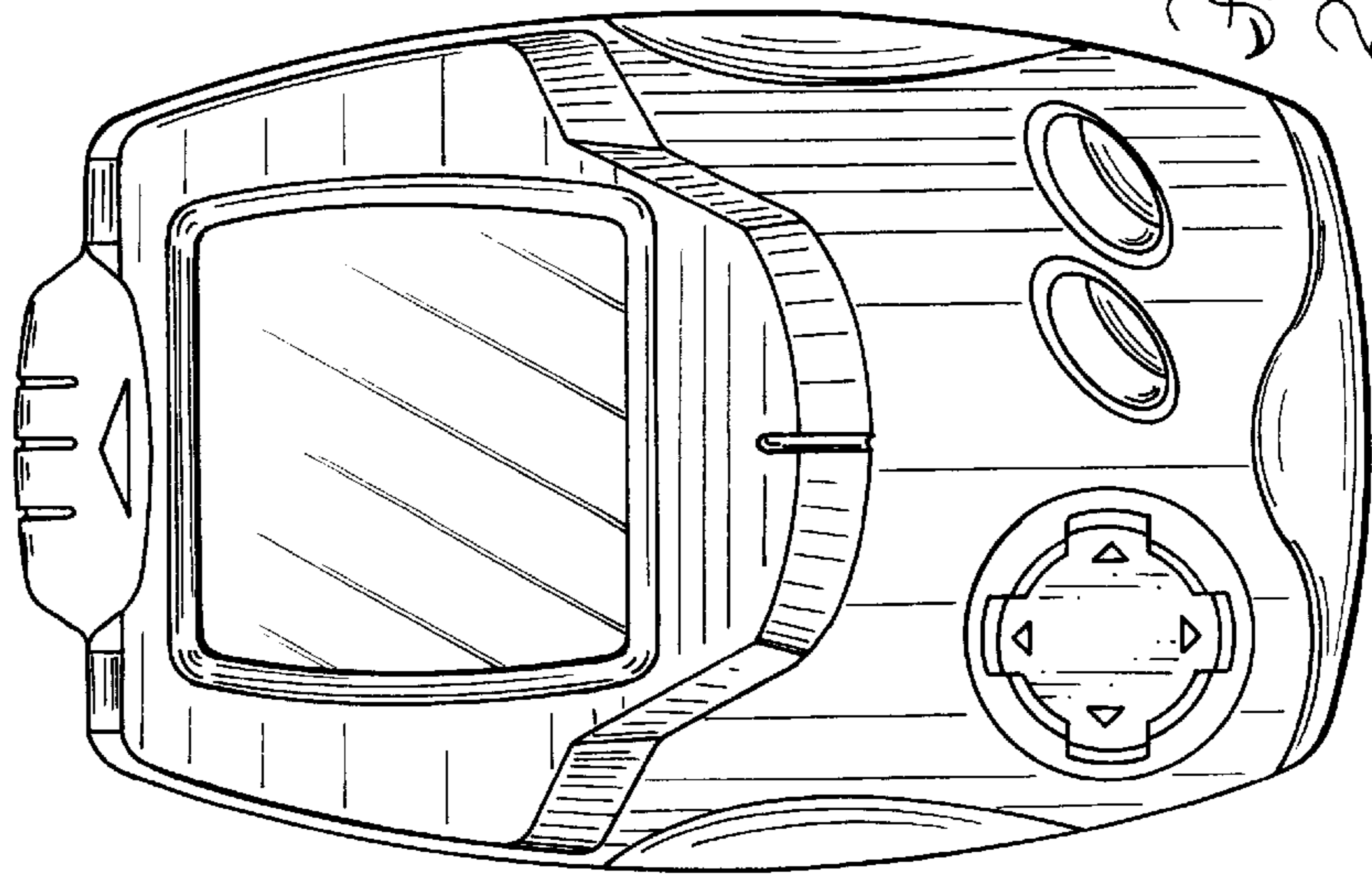


Fig. 2

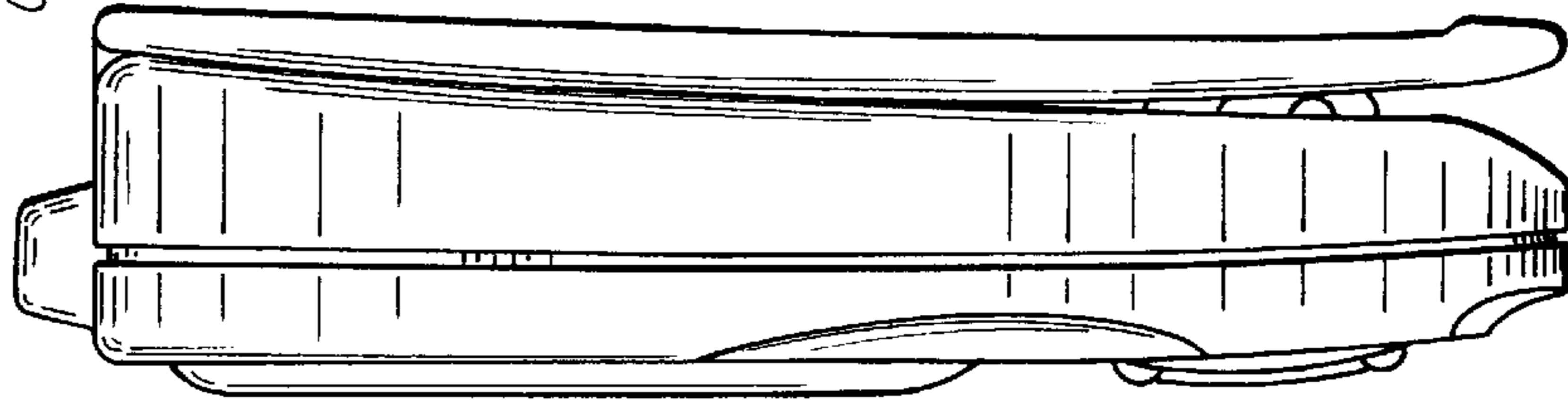


Fig. 3

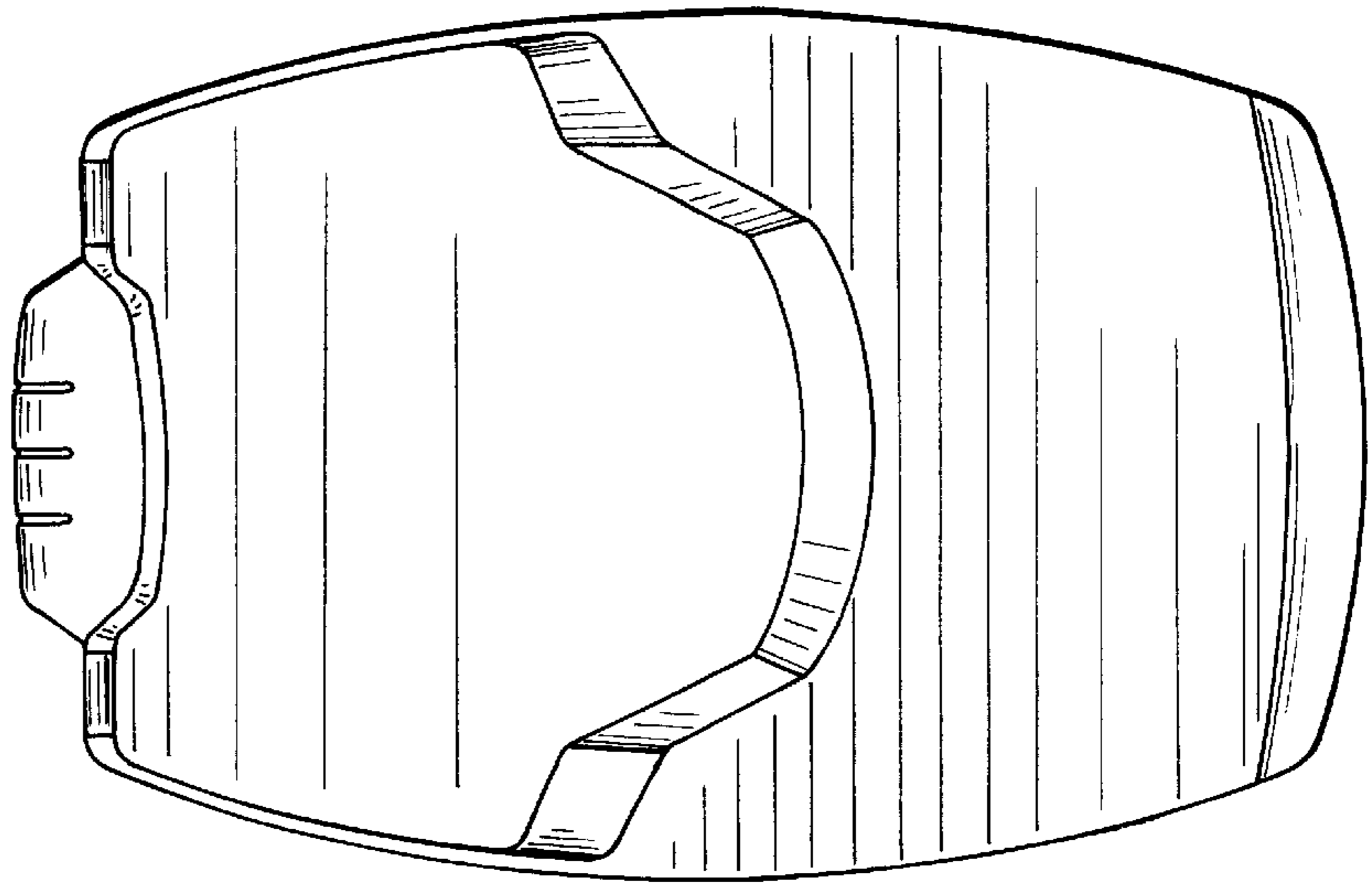


Fig. 4