



US00D400587S

United States Patent [19] Stravitz

[11] Patent Number: **Des. 400,587**

[45] Date of Patent: *****Nov. 3, 1998**

[54] **ORGANIZER RACK**

[76] Inventor: **David M. Stravitz**, 16 Park Ave., New York, N.Y. 10016

[*] Notice: The term of this patent shall not extend beyond the expiration date of Pat. No. Des. 389,869.

[**] Term: **14 Years**

[21] Appl. No.: **76,983**

[22] Filed: **Sep. 22, 1997**

Related U.S. Application Data

[63] Continuation-in-part of Ser. No. 62,426, Nov. 4, 1996, Pat. No. Des. 389,869.

[51] **LOC (6) Cl.** **19-02**

[52] **U.S. Cl.** **D19/75; D19/90; D6/473**

[58] **Field of Search** D6/467, 473, 476, D6/566, 407, 462; D19/65, 75, 78, 86, 90, 91, 92, 99, 100; 211/10, 11, 13, 40, 45, 50, 55, 126, 128

[56] References Cited

U.S. PATENT DOCUMENTS

- D. 76,535 10/1928 Flanagan D6/473
- D. 199,943 12/1964 Elvestad D6/566
- D. 266,466 10/1982 Winter et al. D6/473
- D. 323,591 2/1992 Stravitz D19/90 X

- D. 325,222 4/1992 Brussing D19/92
- D. 348,366 7/1994 Stravitz D6/476
- 4,410,094 10/1983 Wager 211/55
- 4,775,057 10/1988 Zingesser 211/10 X

Primary Examiner—Martie Thompson
Attorney, Agent, or Firm—Frishauf, Holtz, Goodman, Langer & Chick

[57] CLAIM

The ornamental design for an organizer rack, as shown and described.

DESCRIPTION

FIG. 1 is a perspective view of an organizer rack showing my new design;
 FIG. 2 is a top plan view thereof;
 FIG. 3 is a front elevational view thereof;
 FIG. 4 is a right side view thereof, the left side view being a mirror image;
 FIG. 5 is a rear elevational view thereof;
 FIG. 6 is a bottom view thereof;
 FIG. 7 is a perspective view of a modified embodiment thereof, having a different upper shelf unit;
 FIG. 8 is a top plan view thereof;
 FIG. 9 is a front elevational view thereof;
 FIG. 10 is a right side view thereof, the left side view being a mirror image;
 FIG. 11 is a rear elevational view thereof; and,
 FIG. 12 is a bottom view thereof.

1 Claim, 8 Drawing Sheets

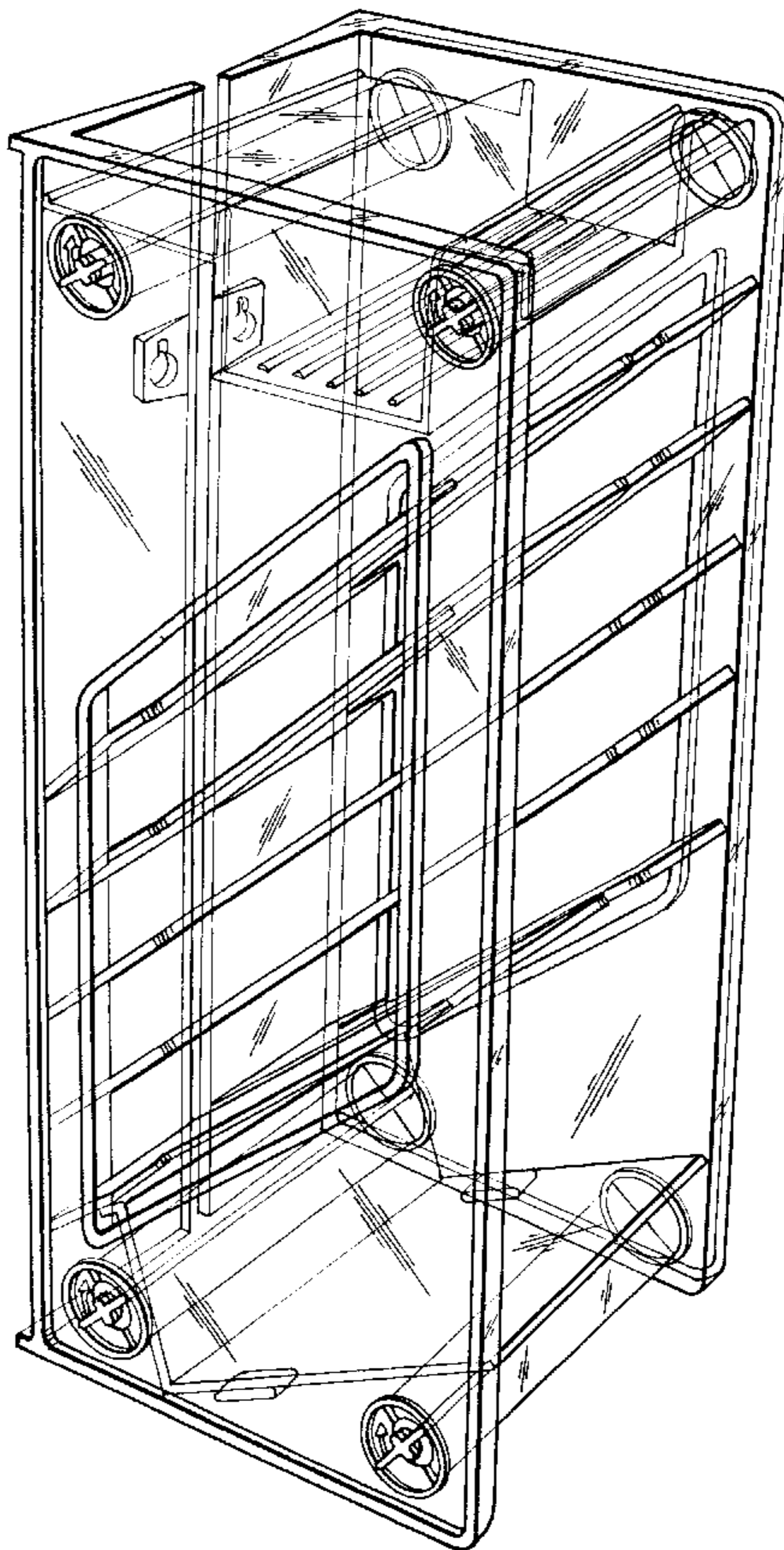
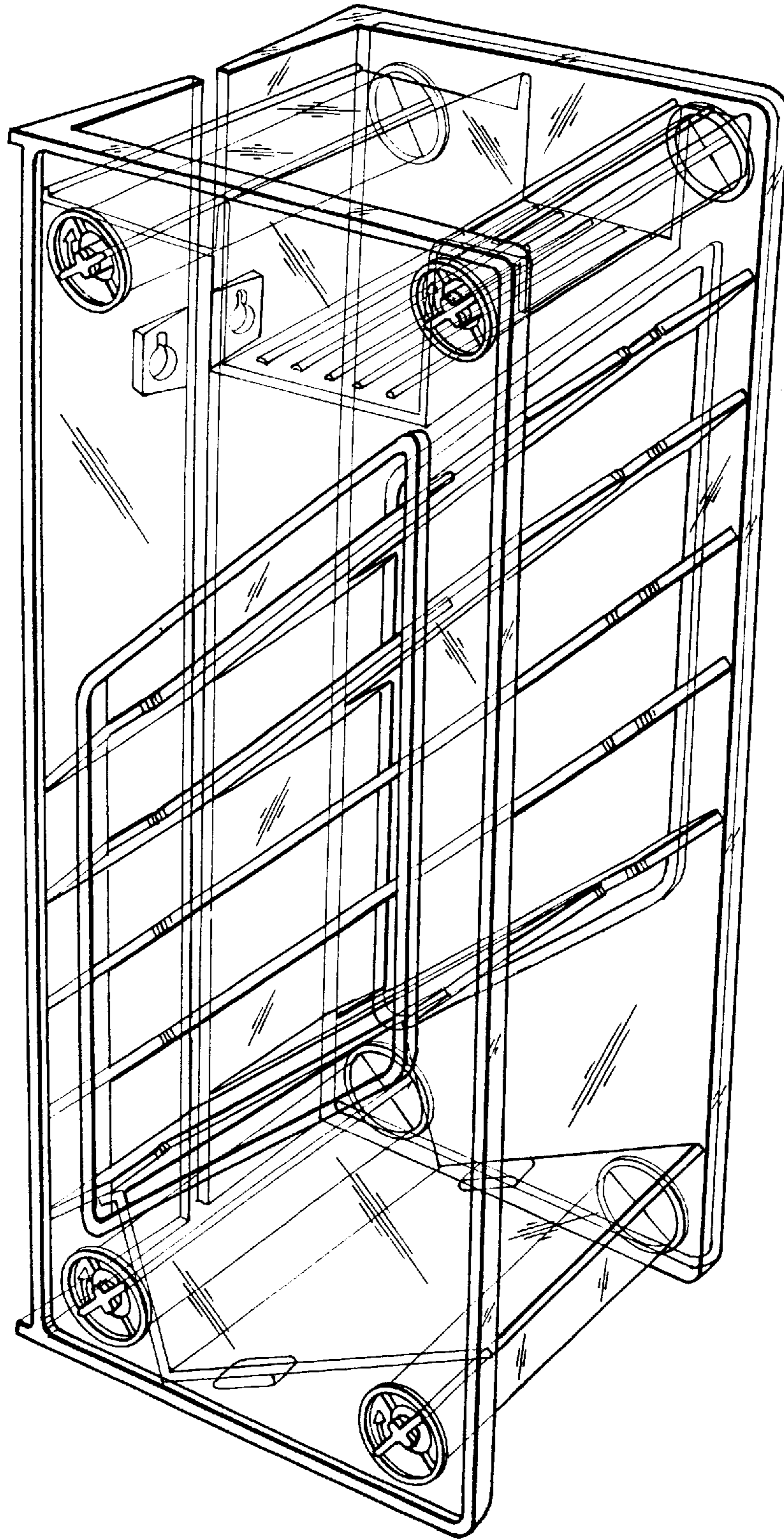


FIG. 1



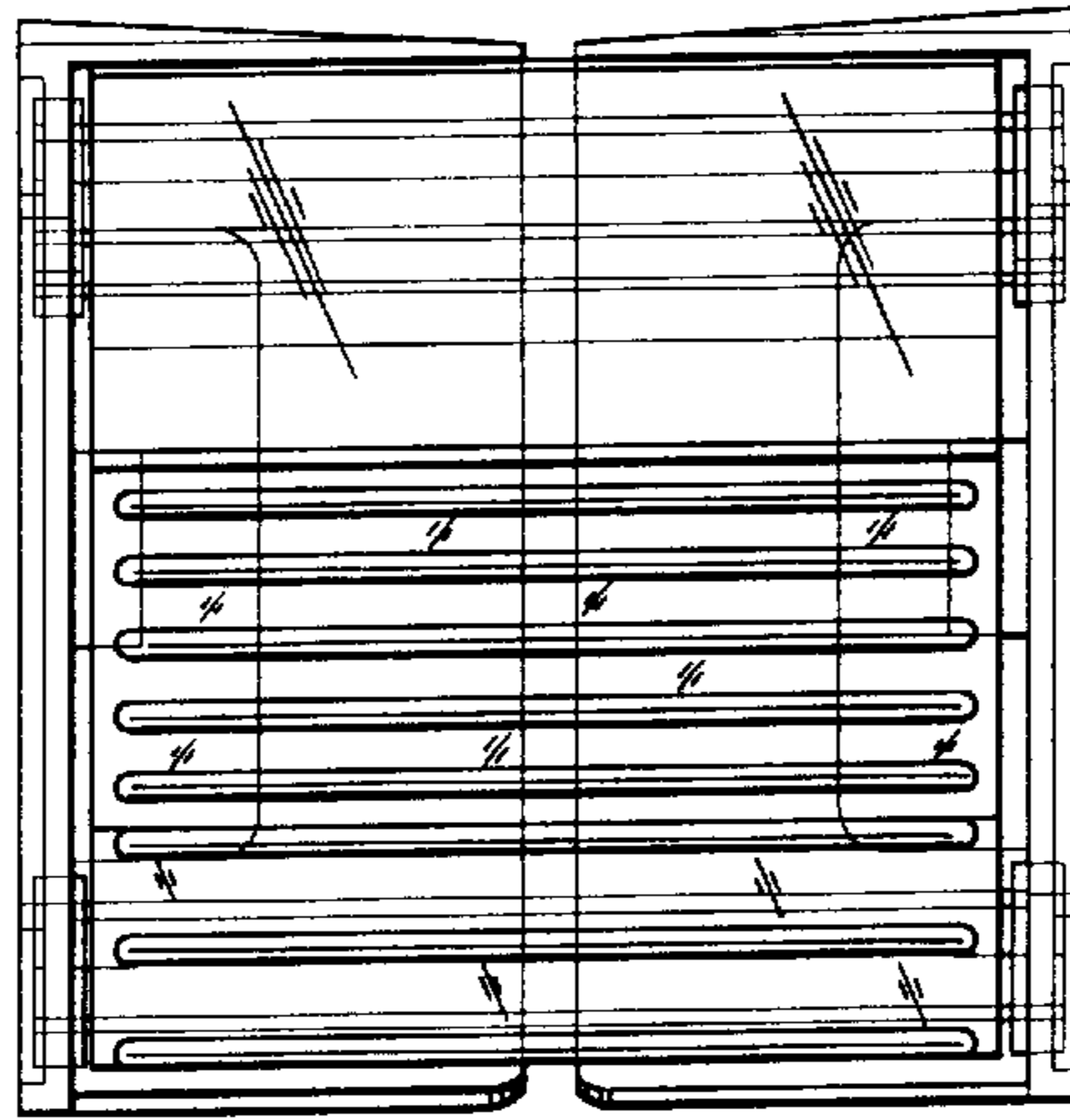


FIG. 2

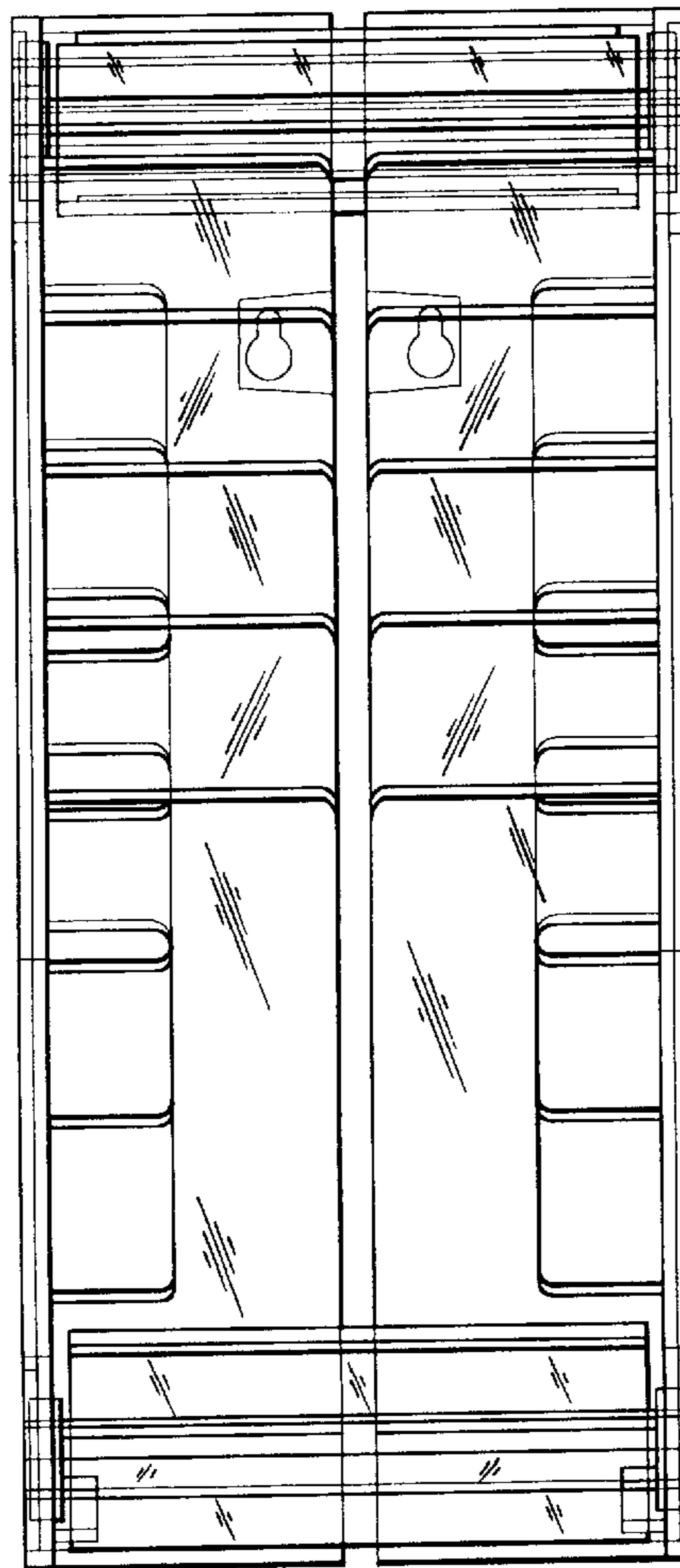


FIG. 3

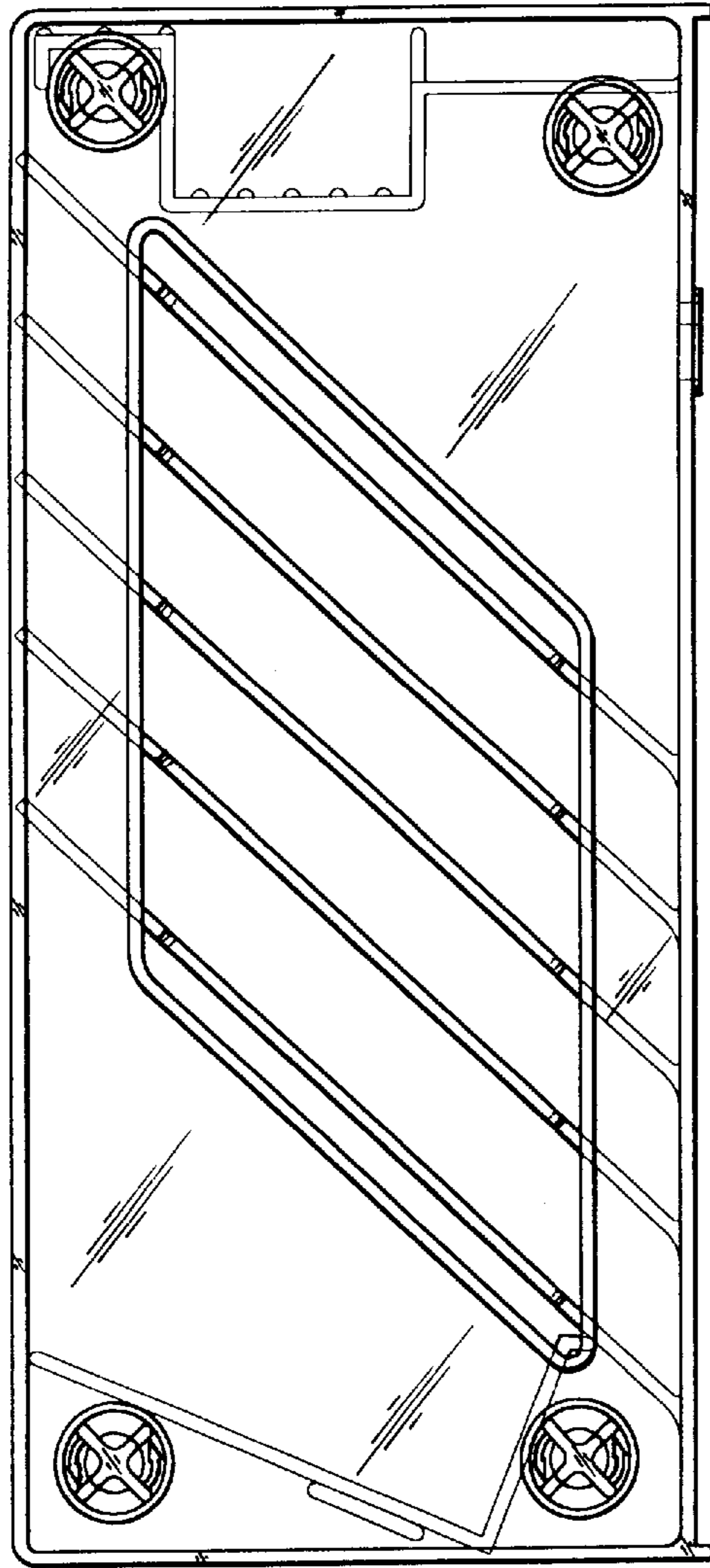


FIG. 4

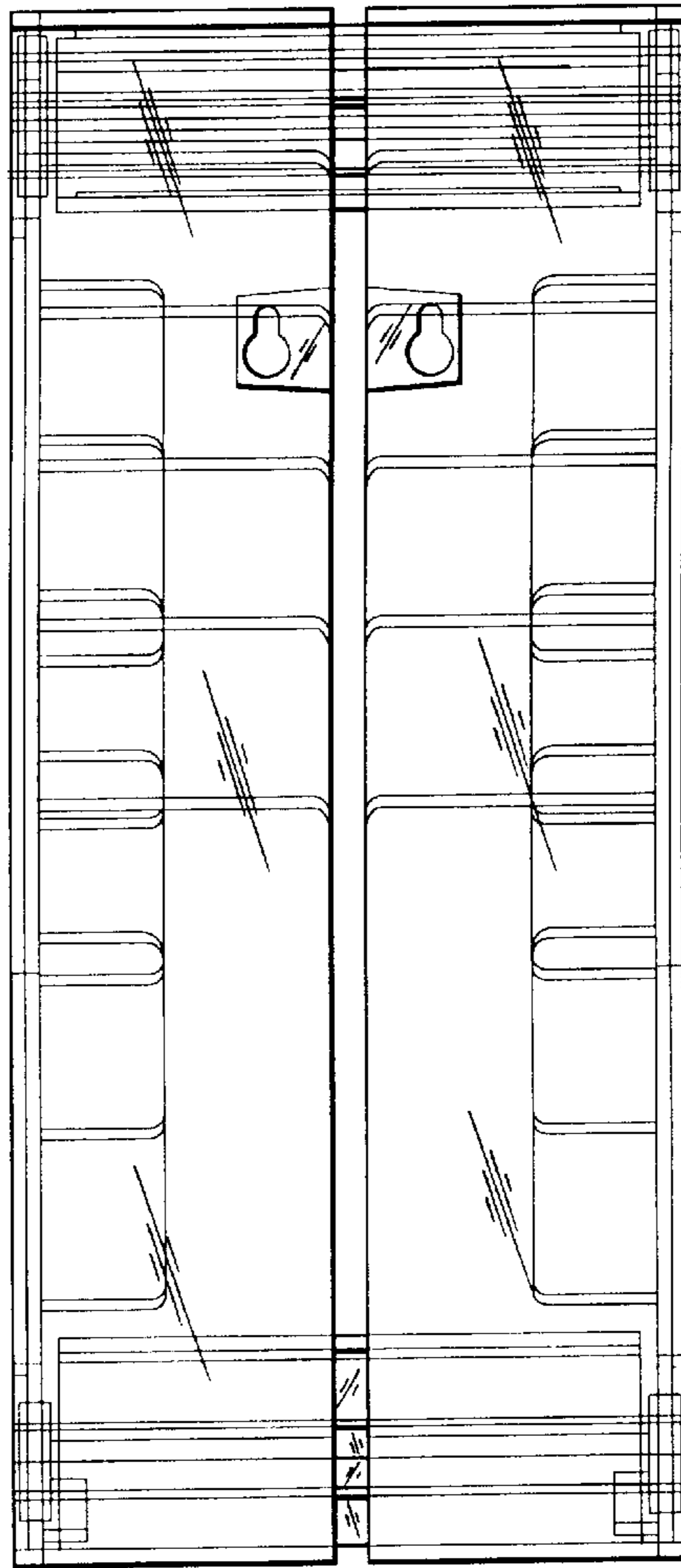


FIG. 5

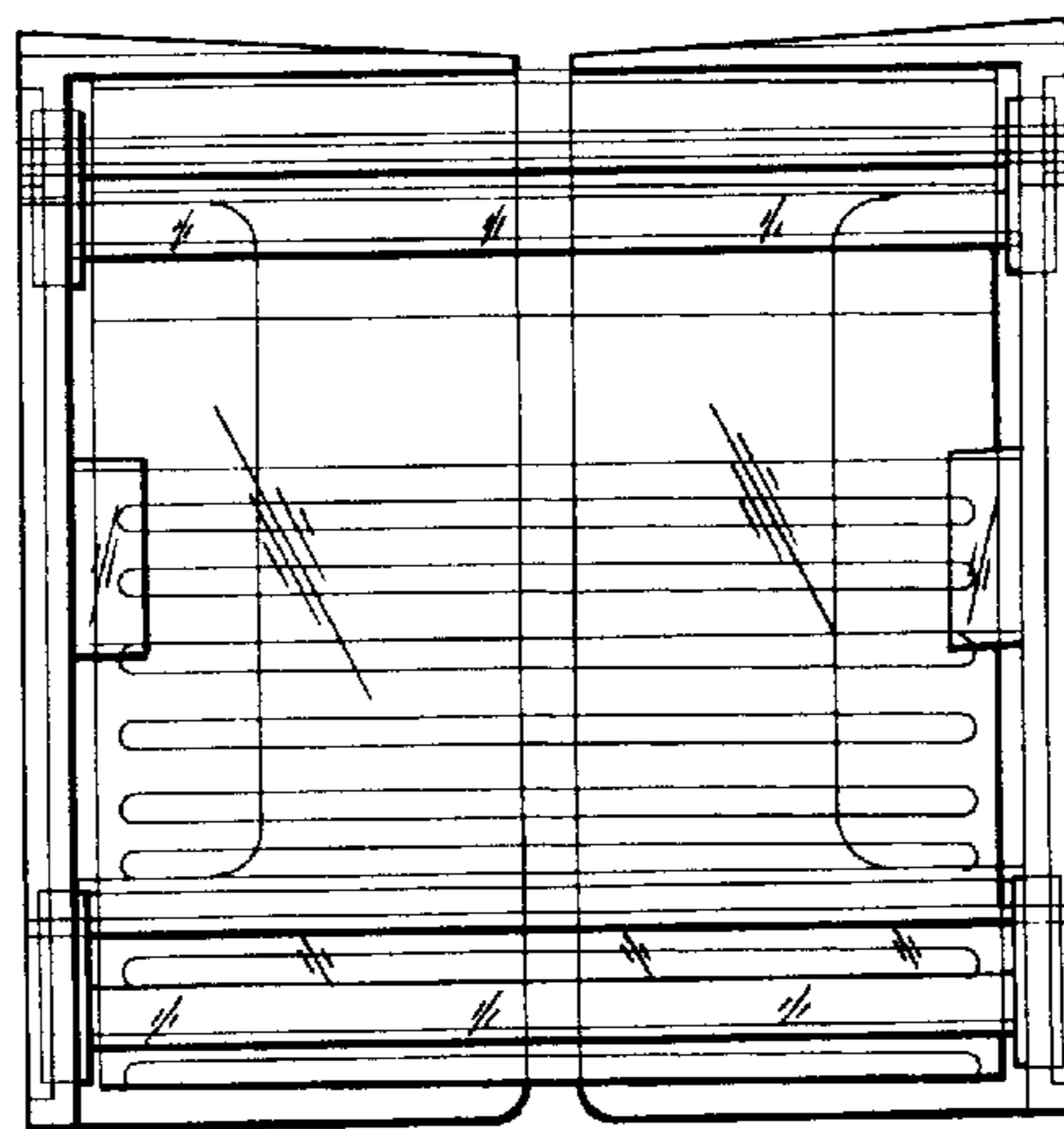
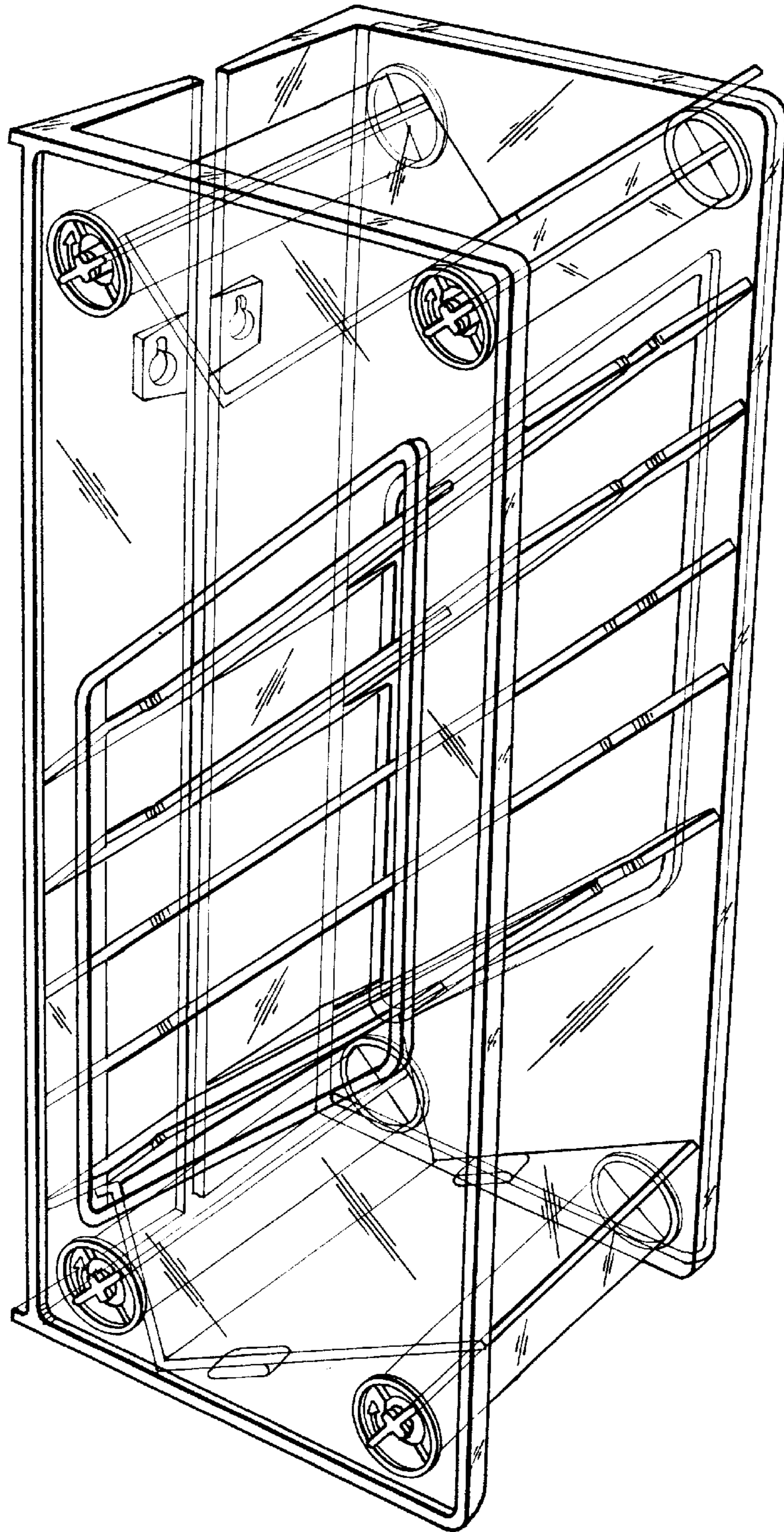


FIG. 6

FIG. 7



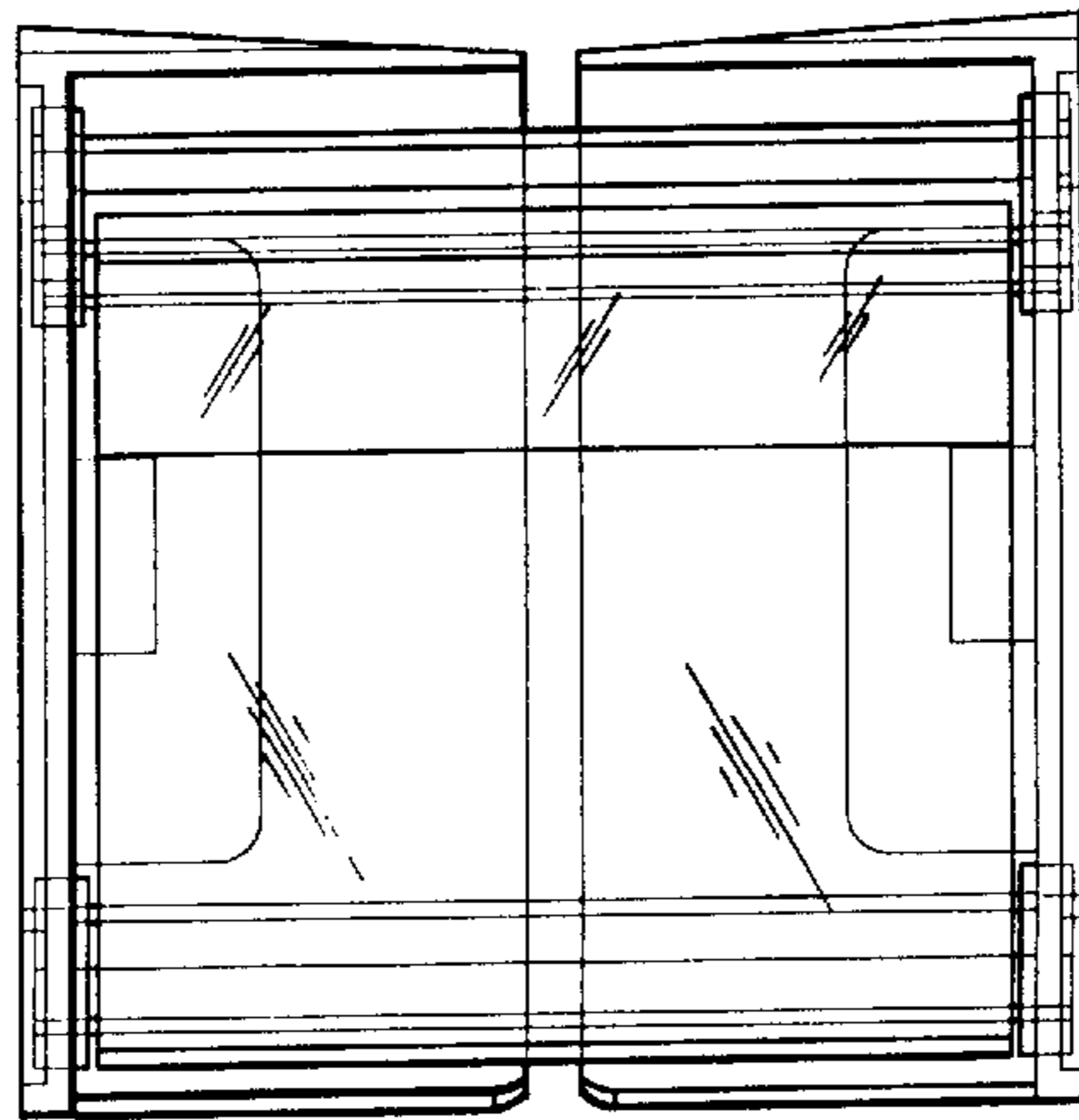


FIG. 8

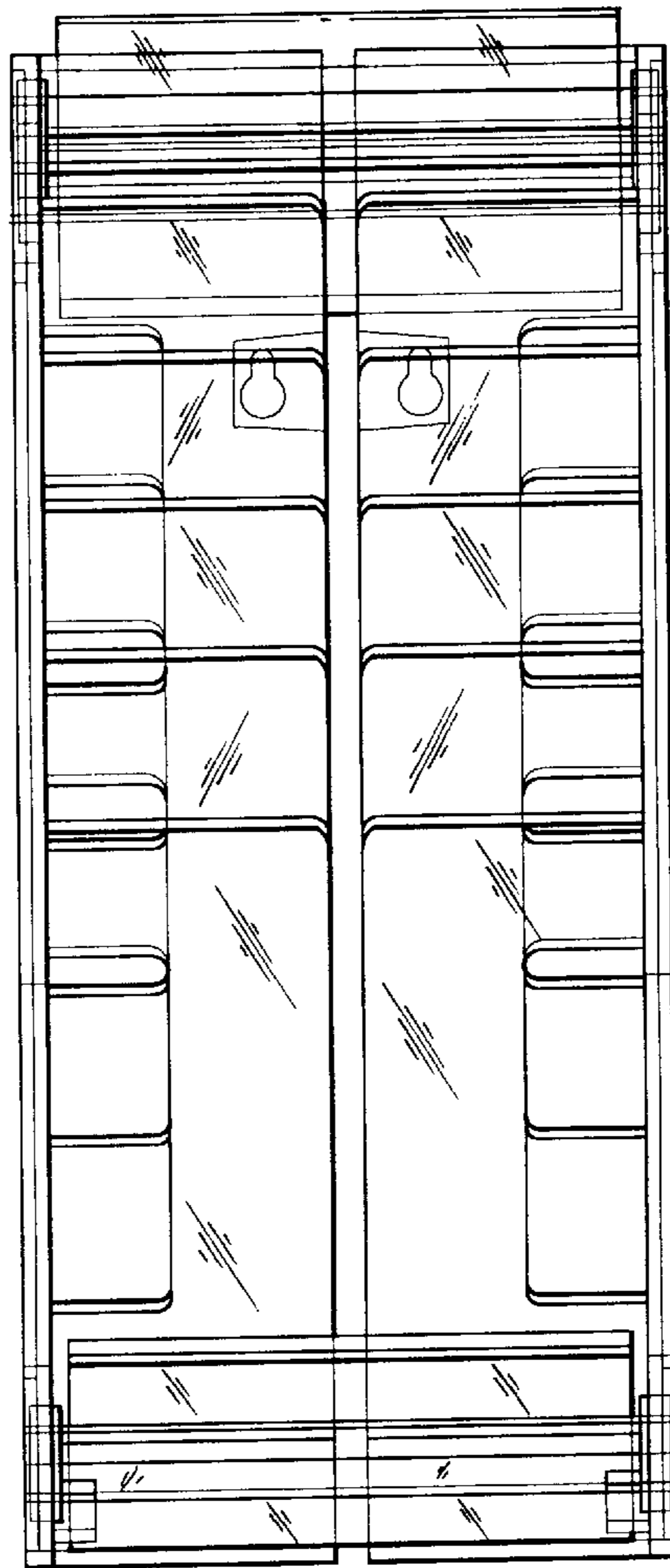


FIG. 9

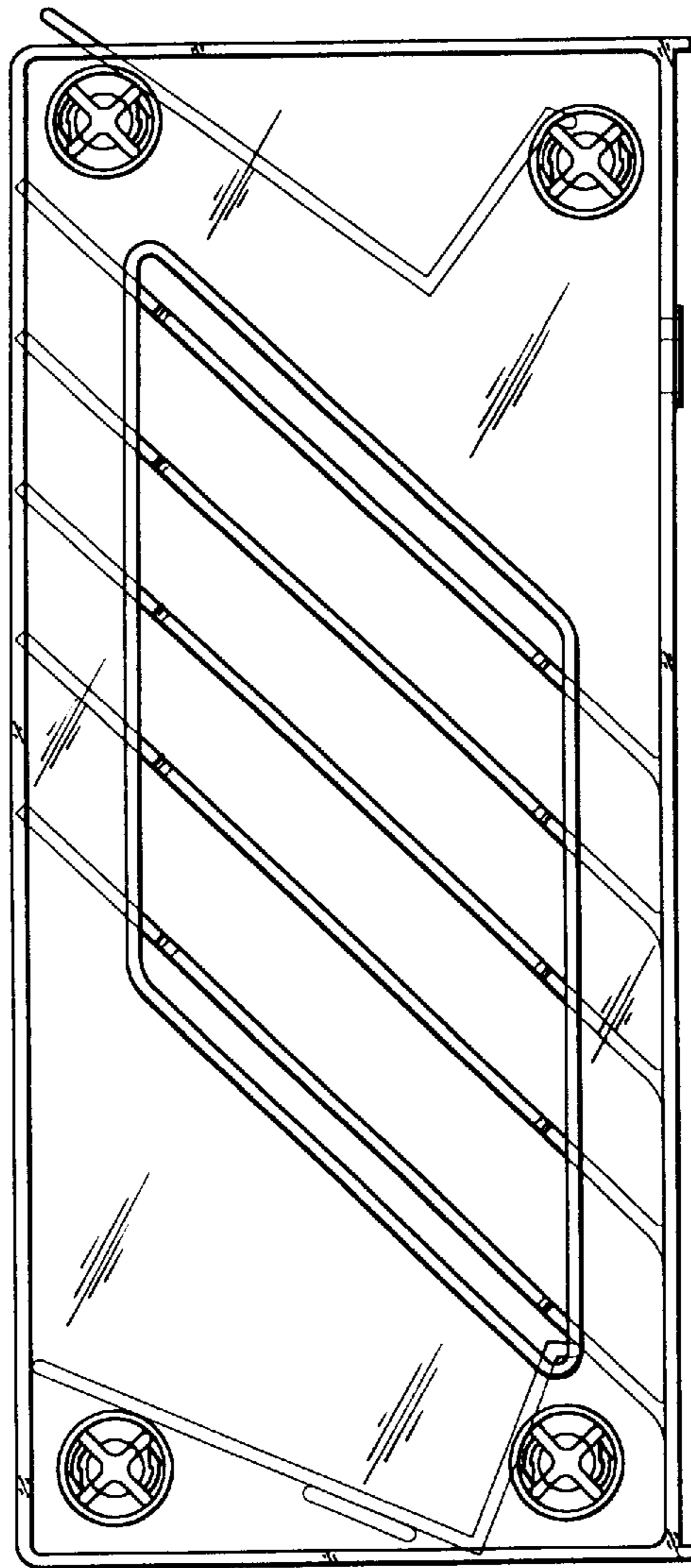


FIG. 10

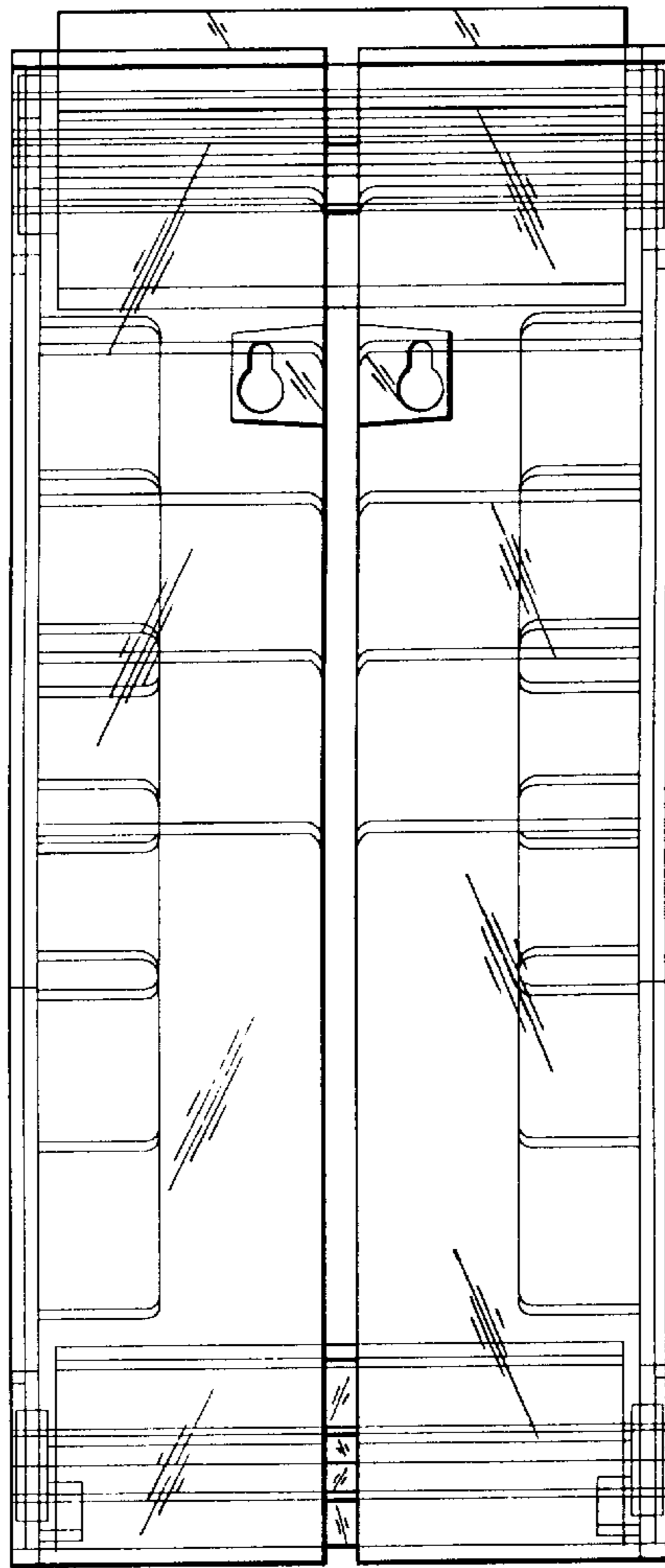


FIG. 11

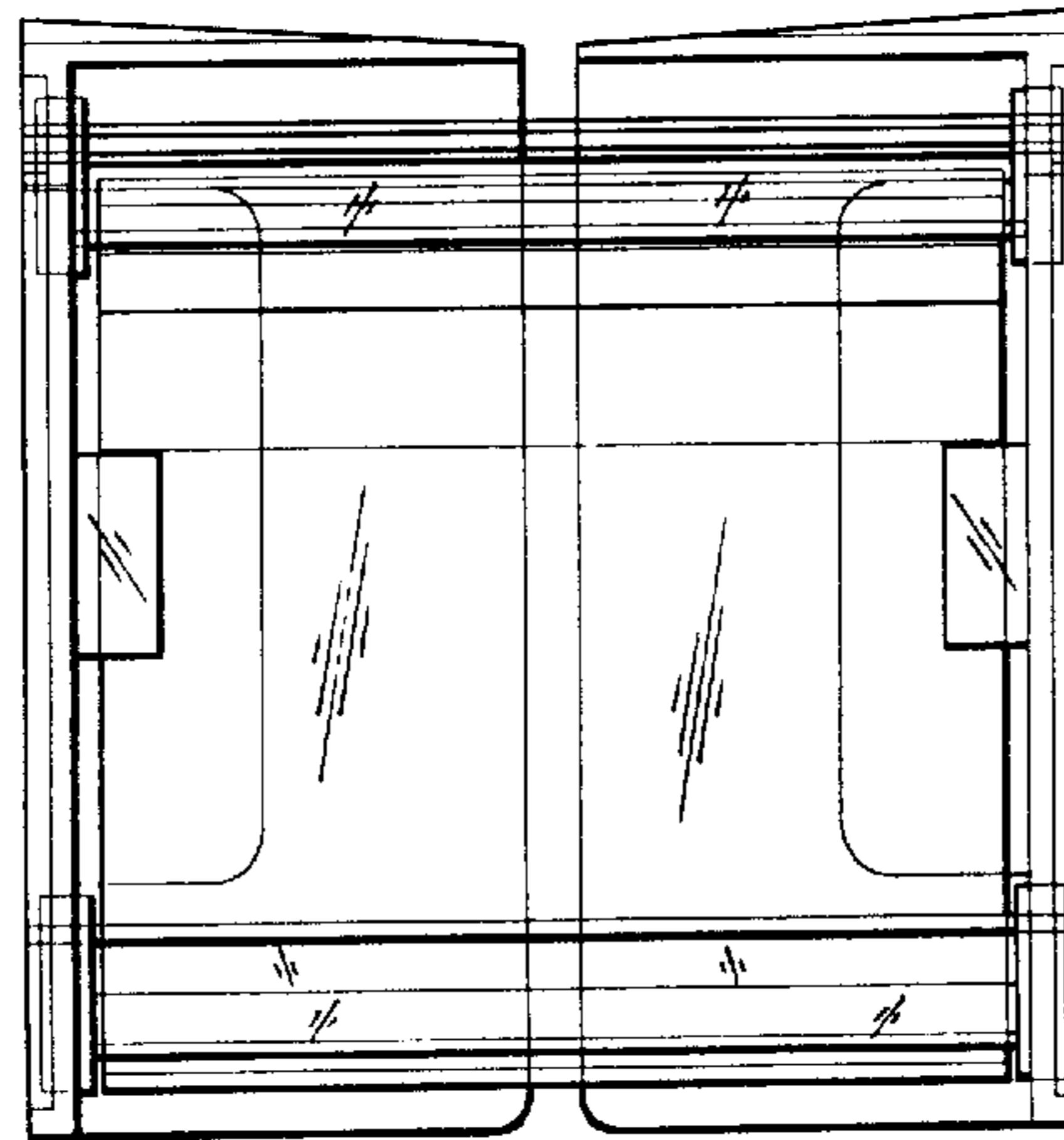


FIG. 12