



US00D400584S

United States Patent [19] Wolff

[11] **Patent Number: Des. 400,584**

[45] **Date of Patent: **Nov. 3, 1998**

[54] **PYRAMID CLIP**

3,137,934 6/1964 Rhoads 24/545
3,673,641 7/1972 Lorber 24/67.9
5,692,670 12/1997 Ho 24/67.11 X

[75] Inventor: **Stephen H. Wolff**, New York, N.Y.

[73] Assignee: **Wolff Marketing Group, Inc.**, New York, N.Y.

[**] Term: **14 Years**

Primary Examiner—Martie K. Holtje
Attorney, Agent, or Firm—Lerner, David, Littenberg, Krumholz & Mentlik

[21] Appl. No.: **78,586**

[57] **CLAIM**

The ornamental design for a pyramid clip, shown and described.

[22] Filed: **Oct. 27, 1997**

DESCRIPTION

[51] **LOC (6) Cl.** **19-02**

[52] **U.S. Cl.** **D19/65; D19/86; D8/395**

[58] **Field of Search** D19/36, 65, 75, D19/86, 88, 90, 91, 99, 100; D8/373, 395, 349, 394; 24/67 R, 67.1, 67.11, 67.3, 67.9, 545, 455; 248/441.1, 450, 451, 452

FIG. 1 is a front perspective view of a pyramid clip showing my new design;

FIG. 2 is a front elevational view thereof;

FIG. 3 is a bottom plan view thereof;

FIG. 4 is a top plan view thereof; and,

FIG. 5 is a right side elevational view, the left side being a mirror image thereof.

The appearance of the rear of the clip forms on part of the claimed design.

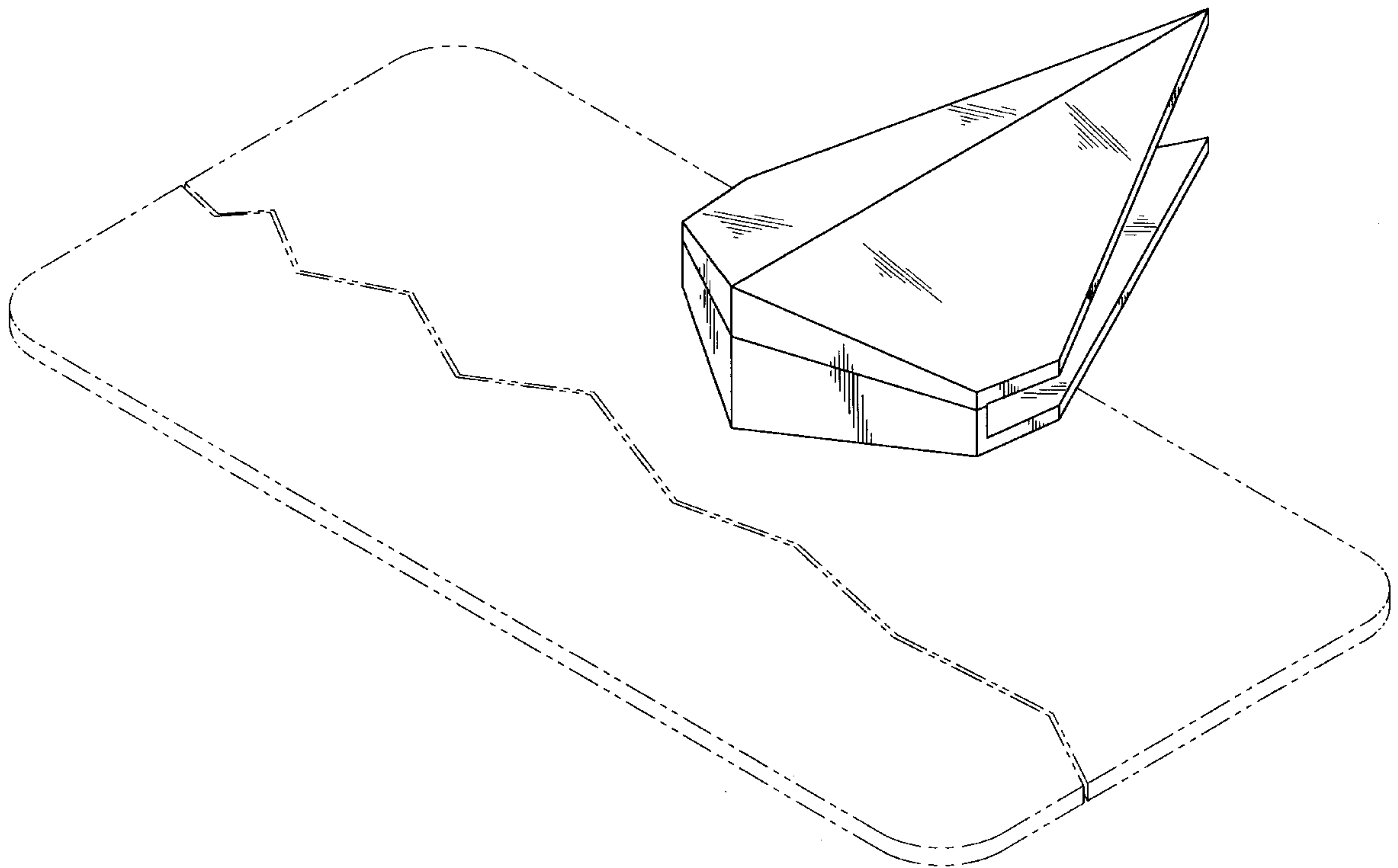
The fragmentary showing of the clipboard in FIG. 1 and the structure in FIGS. 3 and 5, all depicted by means of broken lines, have been shown for illustrative purposes only and form no part of the claimed design.

[56] **References Cited**

U.S. PATENT DOCUMENTS

- D. 302,653 8/1989 Wolff .
- D. 312,660 12/1990 Bowles D19/65 X
- D. 314,012 1/1991 Klodt D19/65
- D. 352,314 11/1994 Wolff .
- D. 364,188 11/1995 Wolff .
- D. 376,534 12/1996 Wolff .

1 Claim, 2 Drawing Sheets



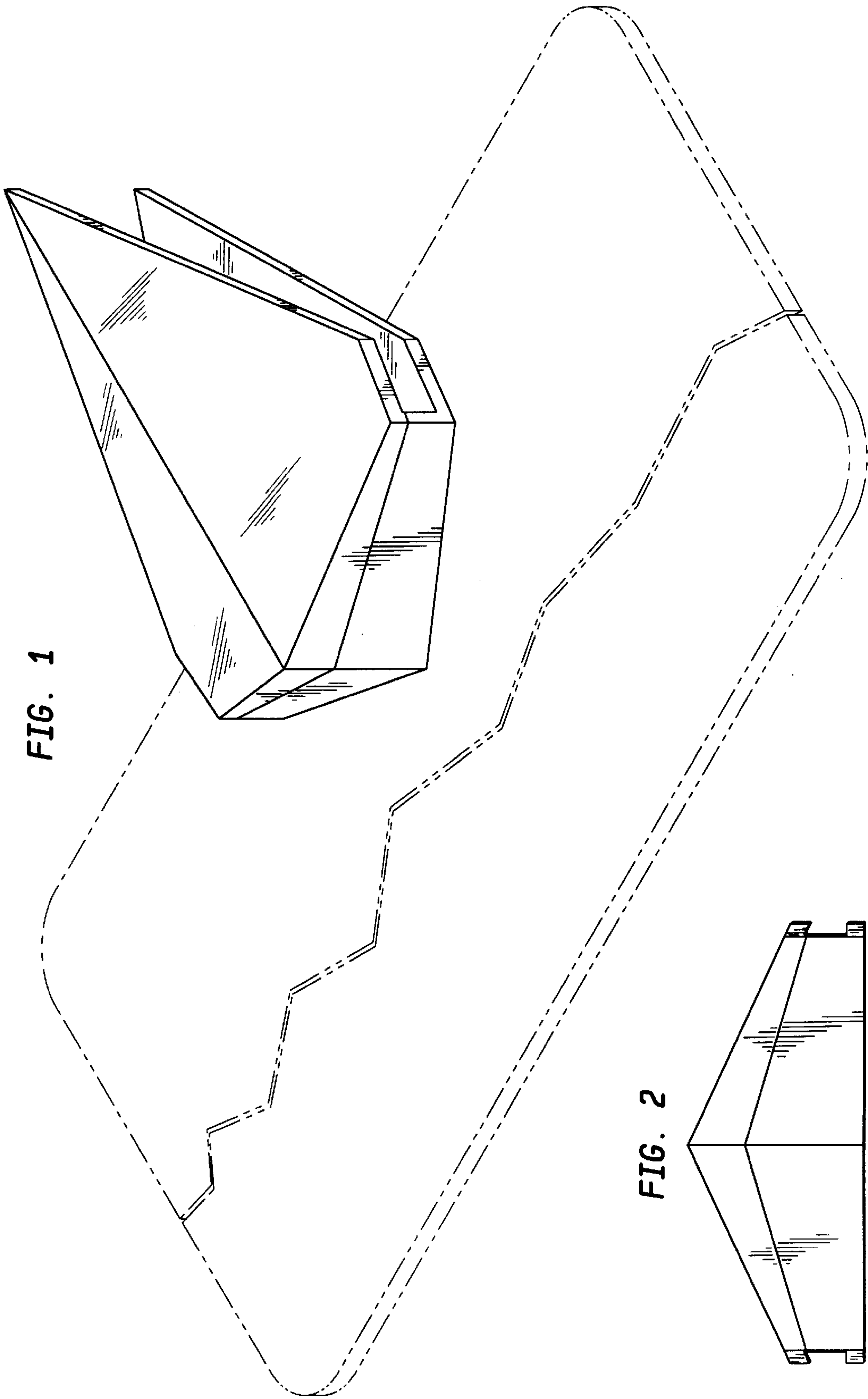
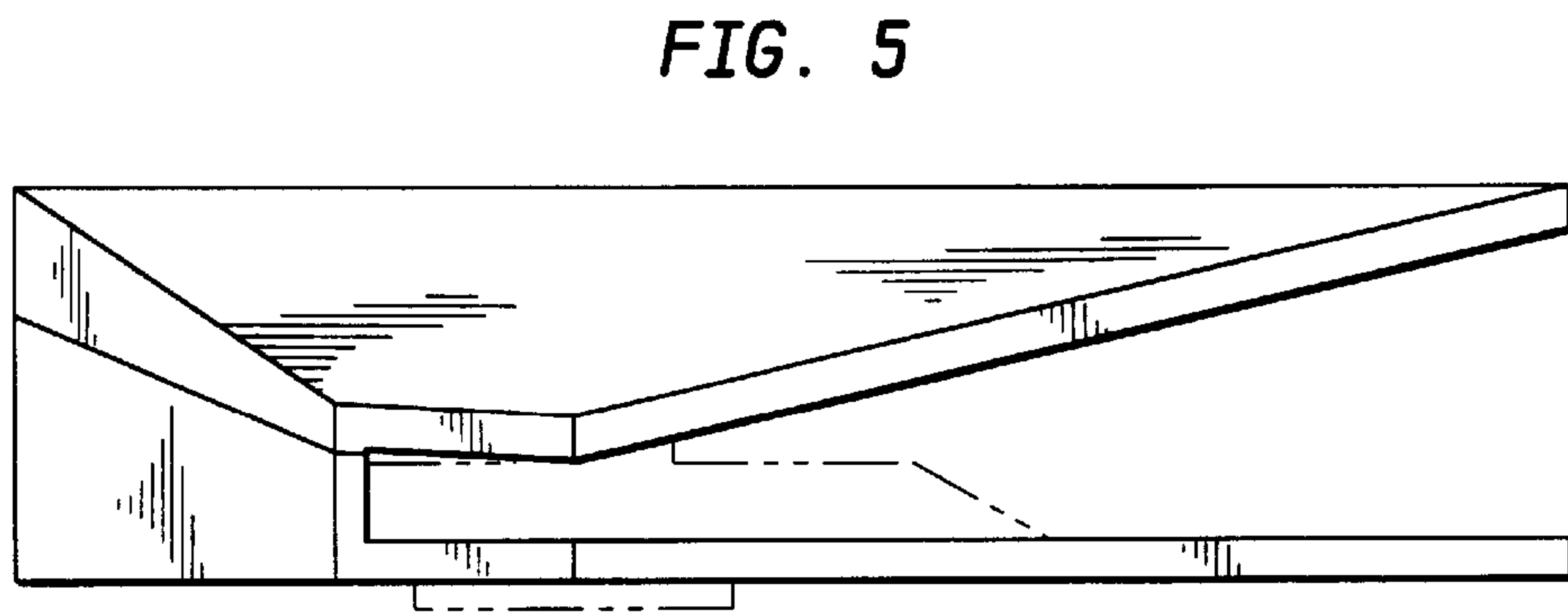
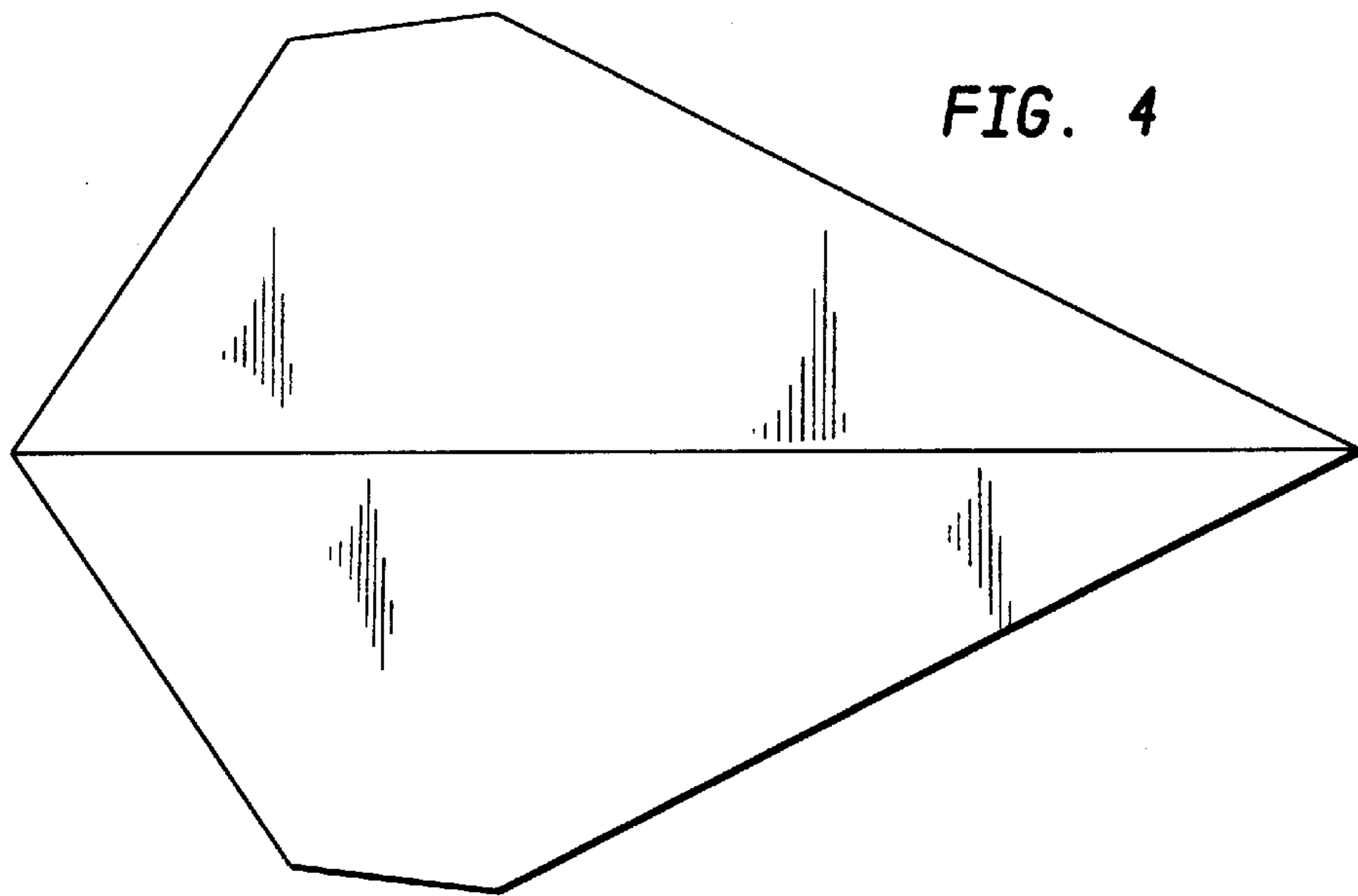
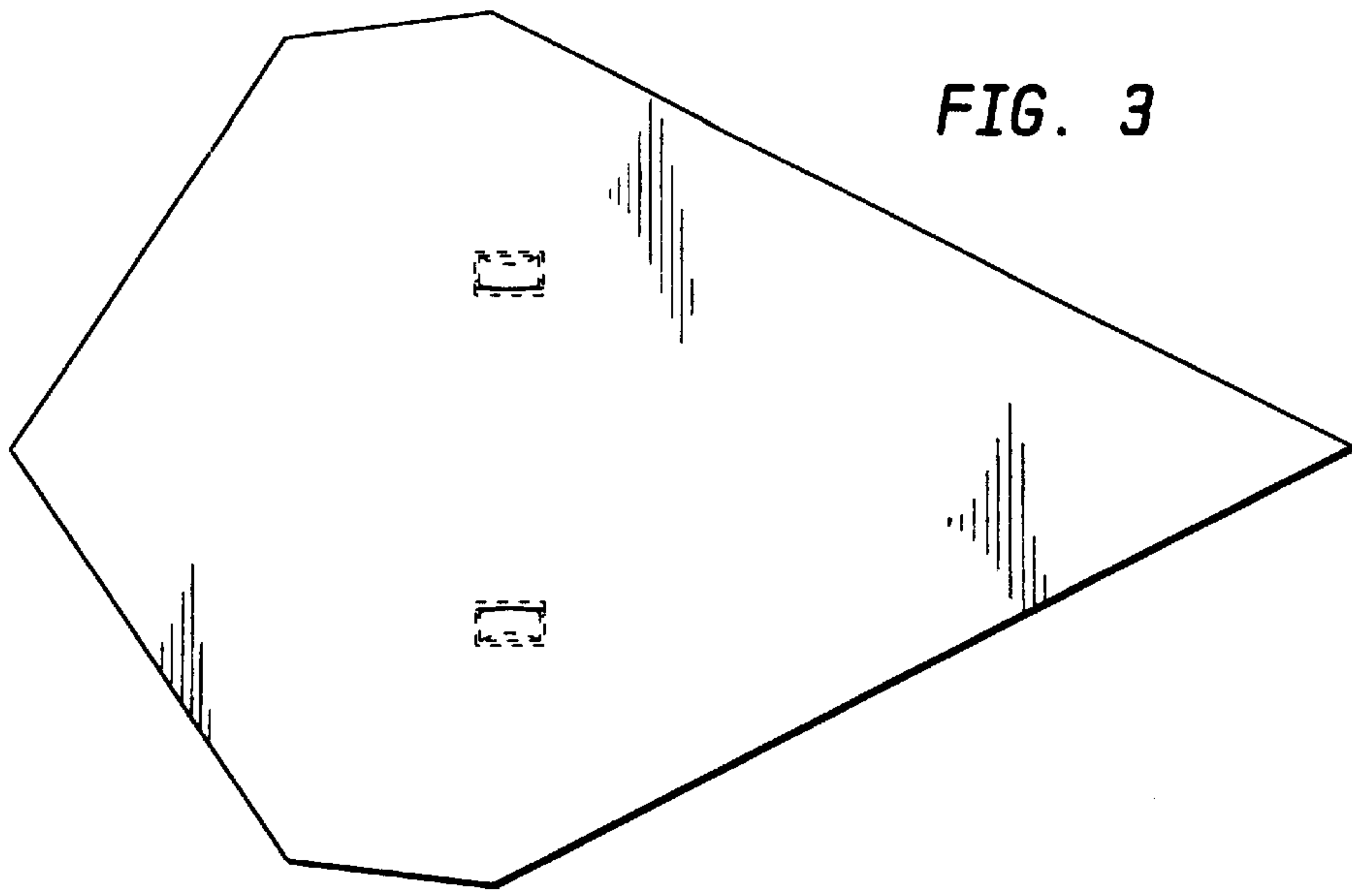


FIG. 1

FIG. 2



**UNITED STATES PATENT AND TRADEMARK OFFICE
CERTIFICATE OF CORRECTION**

PATENT NO. : Des. 400,584
DATED : November 3, 1998
INVENTOR(S) : Wolff

It is certified that error appears in the above-identified patent and that said Letters Patent is hereby corrected as shown below:

On the cover page in the Description, line 8, "on" should read --no--.

Signed and Sealed this
Twentieth Day of April, 1999

Attest:



Q. TODD DICKINSON

Attesting Officer

Acting Commissioner of Patents and Trademarks