



US00D400571S

United States Patent [19] Shimizu

[11] **Patent Number: Des. 400,571**

[45] **Date of Patent: **Nov. 3, 1998**

[54] **COMPUTER PRINTER**

[75] Inventor: **Hisakazu Shimizu**, Yokohama, Japan

[73] Assignee: **Canon Kabushiki Kaisha**

[**] Term: **14 Years**

[21] Appl. No.: **74,521**

[22] Filed: **Aug. 4, 1997**

[30] **Foreign Application Priority Data**

Feb. 7, 1997 [JP] Japan 9-3622

[51] **LOC (6) Cl. 14-02**

[52] **U.S. Cl. D18/54; D18/55**

[58] **Field of Search 400/613, 613.1-613.4,
400/690, 691-694, 690.1-690.4; D18/50,
54, 55**

[56] **References Cited**

U.S. PATENT DOCUMENTS

D. 36,356	10/1903	Inukai	D18/55
D. 344,754	3/1994	Parsey	D18/55
D. 356,818	3/1995	Sekine et al.	D18/55
D. 370,025	5/1996	Weng	D18/50
D. 371,158	6/1996	Yoshida	D18/50
D. 373,596	9/1996	Sekine et al.	D18/55

D. 378,378	3/1997	Nakazawa et al.	D18/54
D. 379,827	6/1997	Andre	D18/54
D. 382,583	8/1997	Takahaski et al.	D18/55
D. 385,296	10/1997	Iwai et al.	D18/54
D. 390,597	2/1998	Igarashi et al.	D18/55

OTHER PUBLICATIONS

Micro Center The computer Department Store Catalog; p. 17, Canon BJC-600 Bubble Jet Color Printer; Aug. 1994.

Primary Examiner—Cathy Anne MacCormac
Attorney, Agent, or Firm—Fitzpatrick, Cella, Harper & Scinto

[57] **CLAIM**

The ornamental design for a computer printer, as shown and described.

DESCRIPTION

FIG. 1 is a front view of a computer printer showing my new design;
FIG. 2 is a rear view thereof;
FIG. 3 is a top plan view thereof;
FIG. 4 is a bottom plan view thereof;
FIG. 5 is a left side view thereof;
FIG. 6 is a right side view thereof; and,
FIG. 7 is a perspective view thereof.

1 Claim, 4 Drawing Sheets

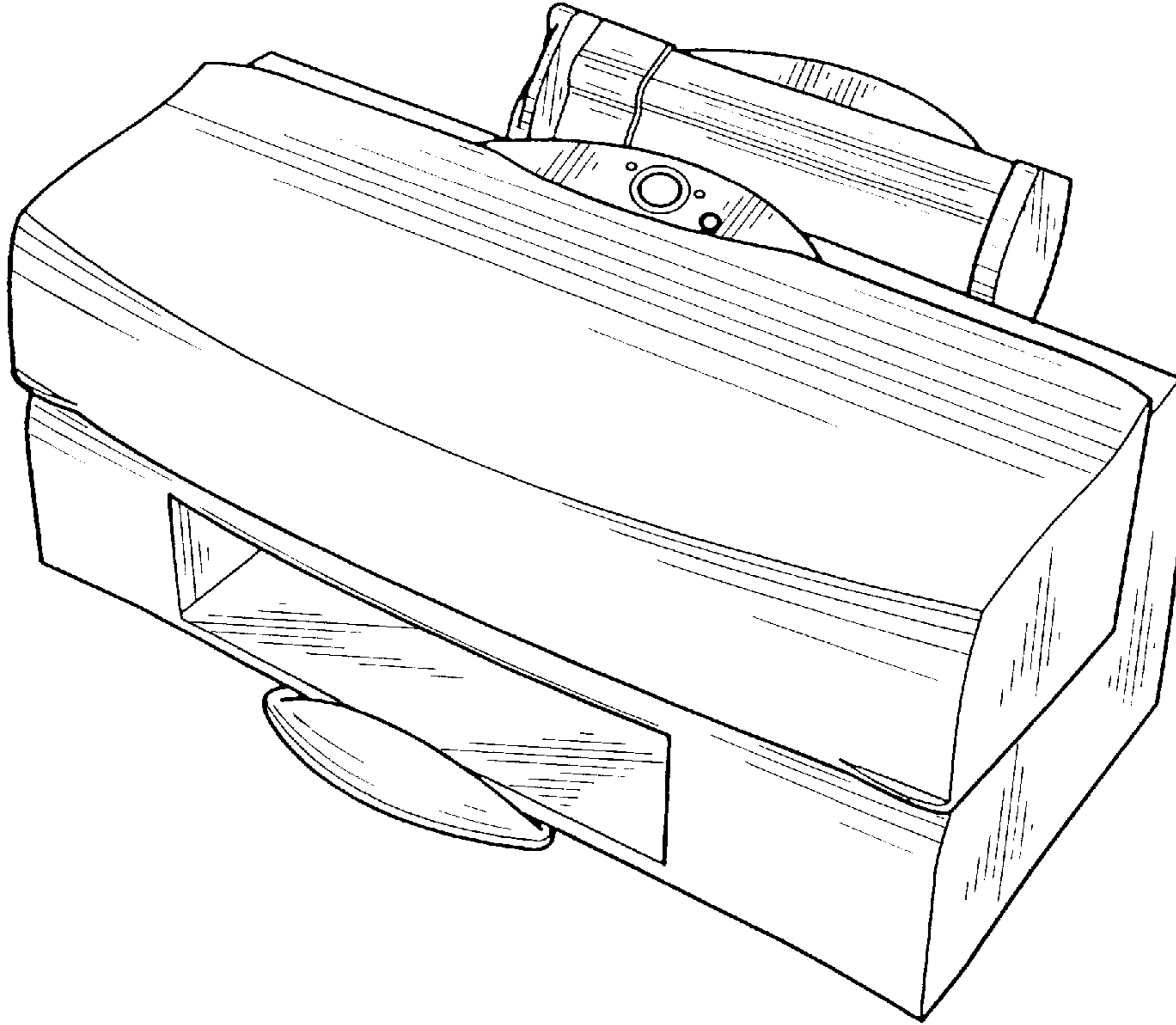


FIG. 1

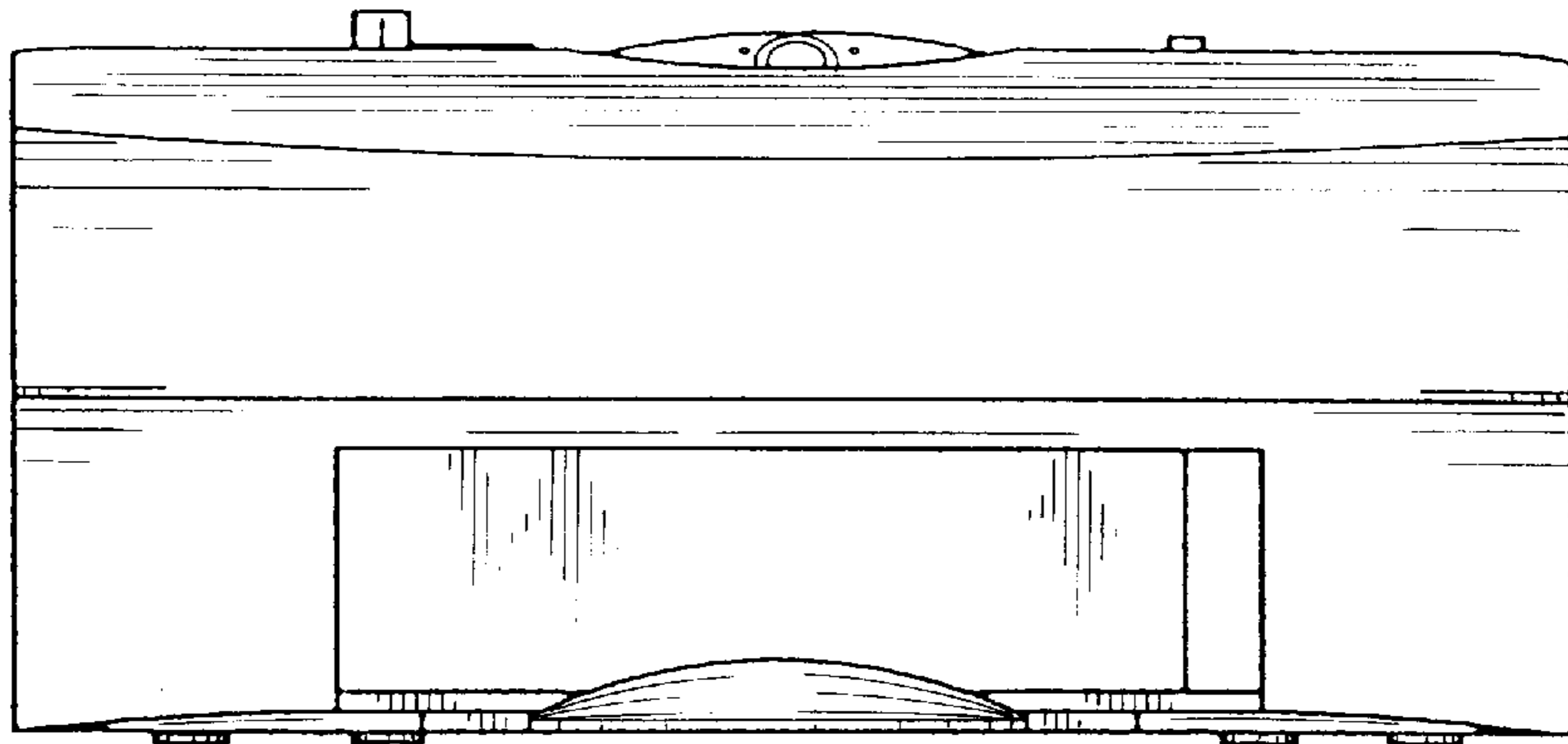


FIG. 2

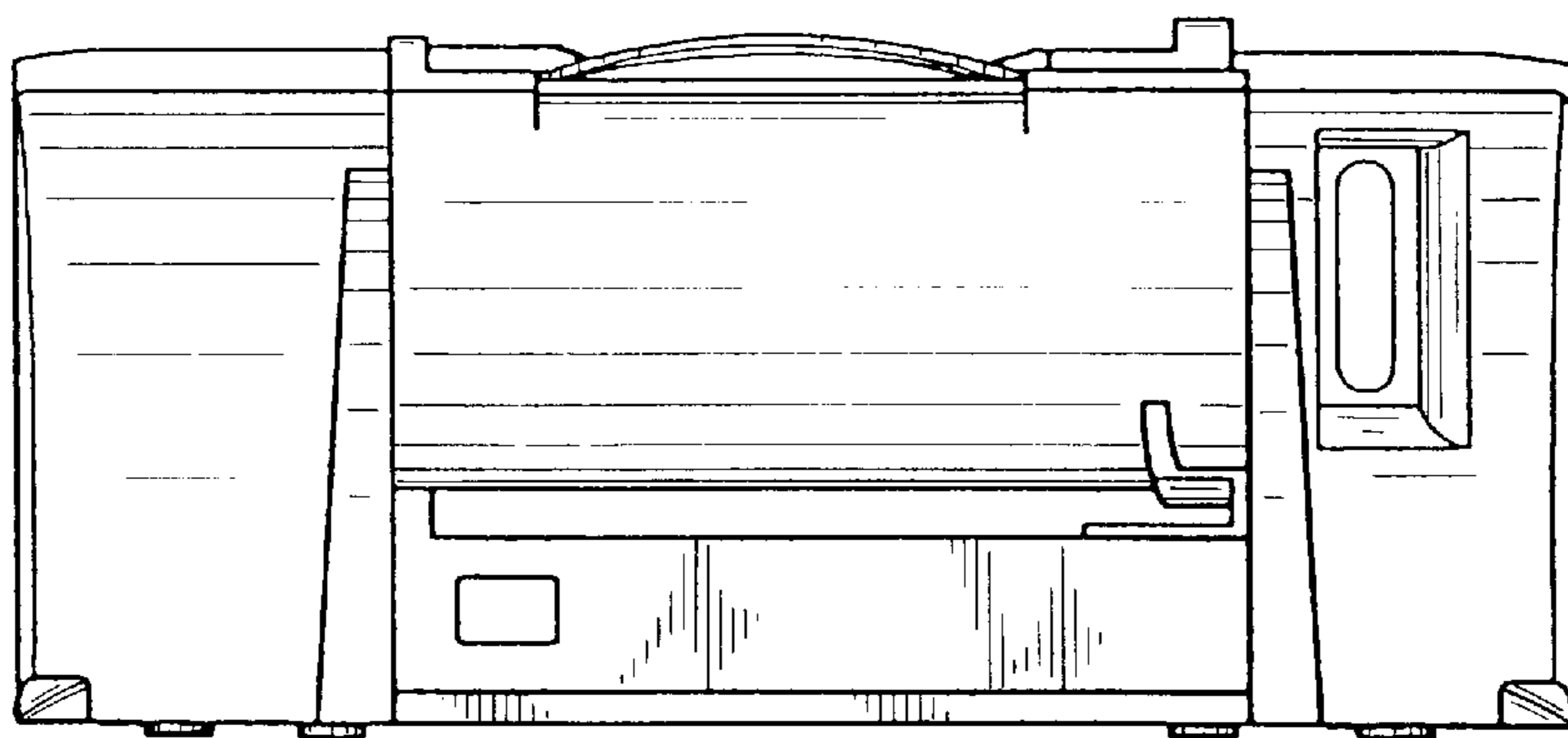


FIG. 3

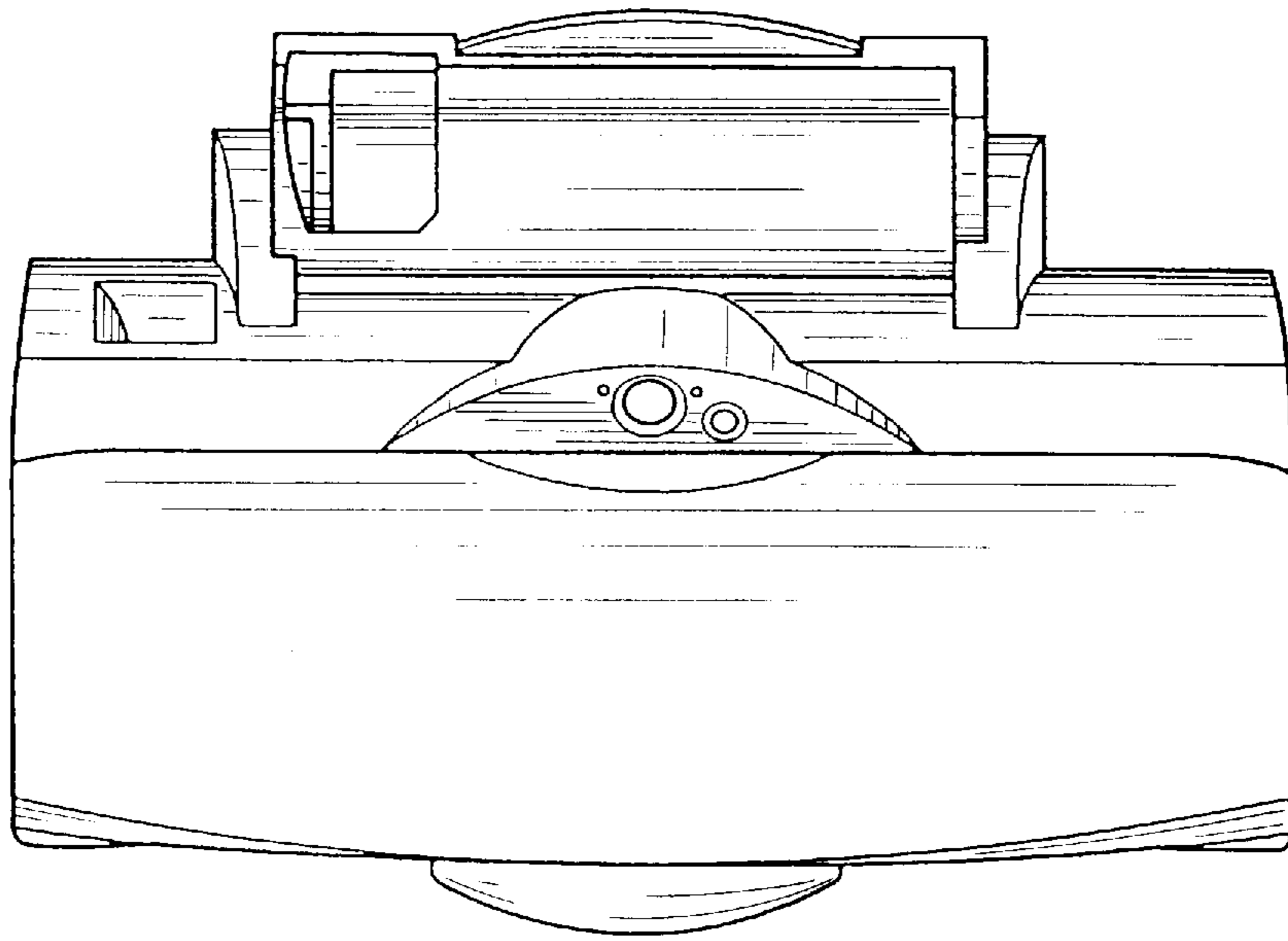


FIG. 4

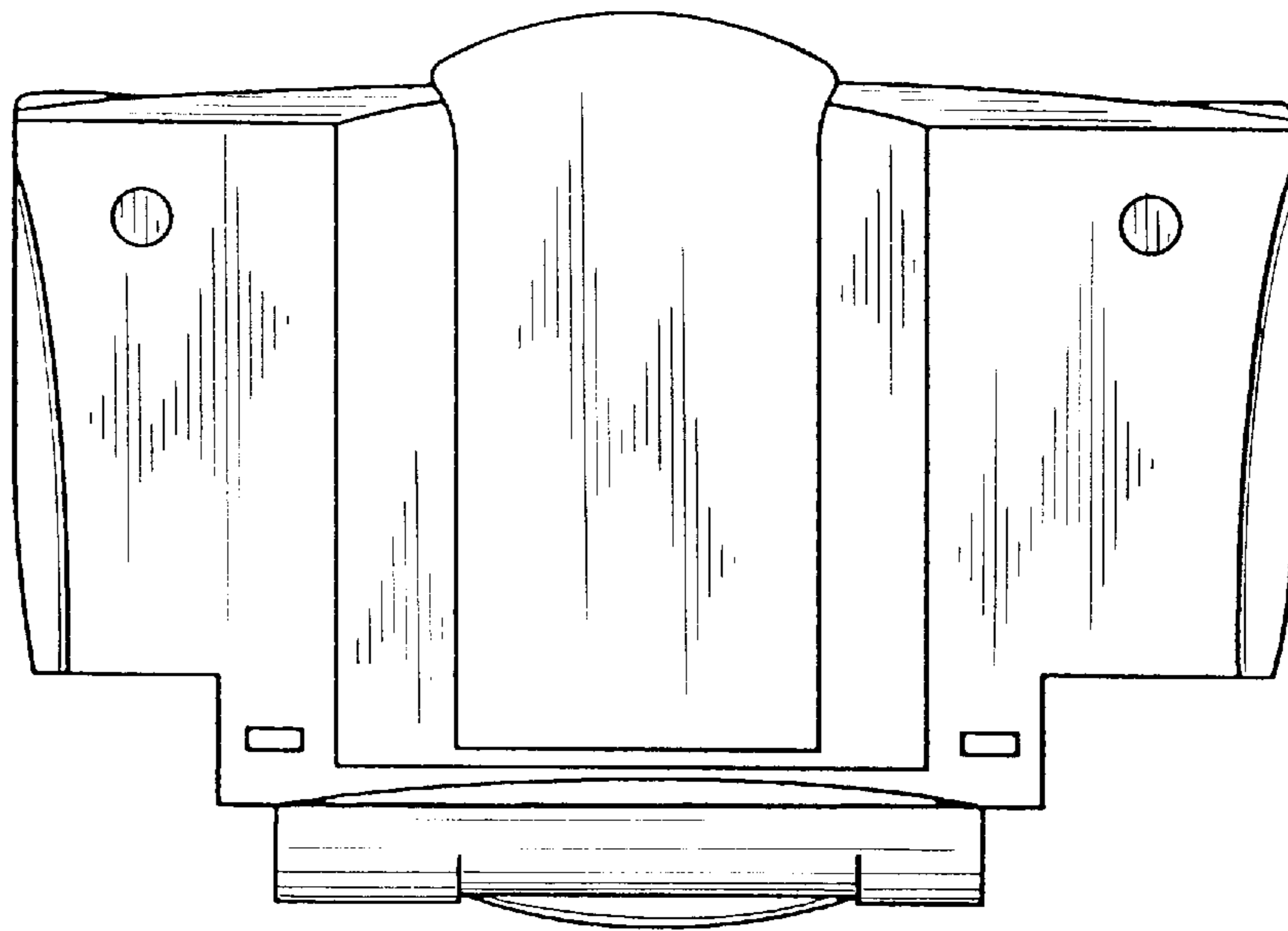


FIG. 5

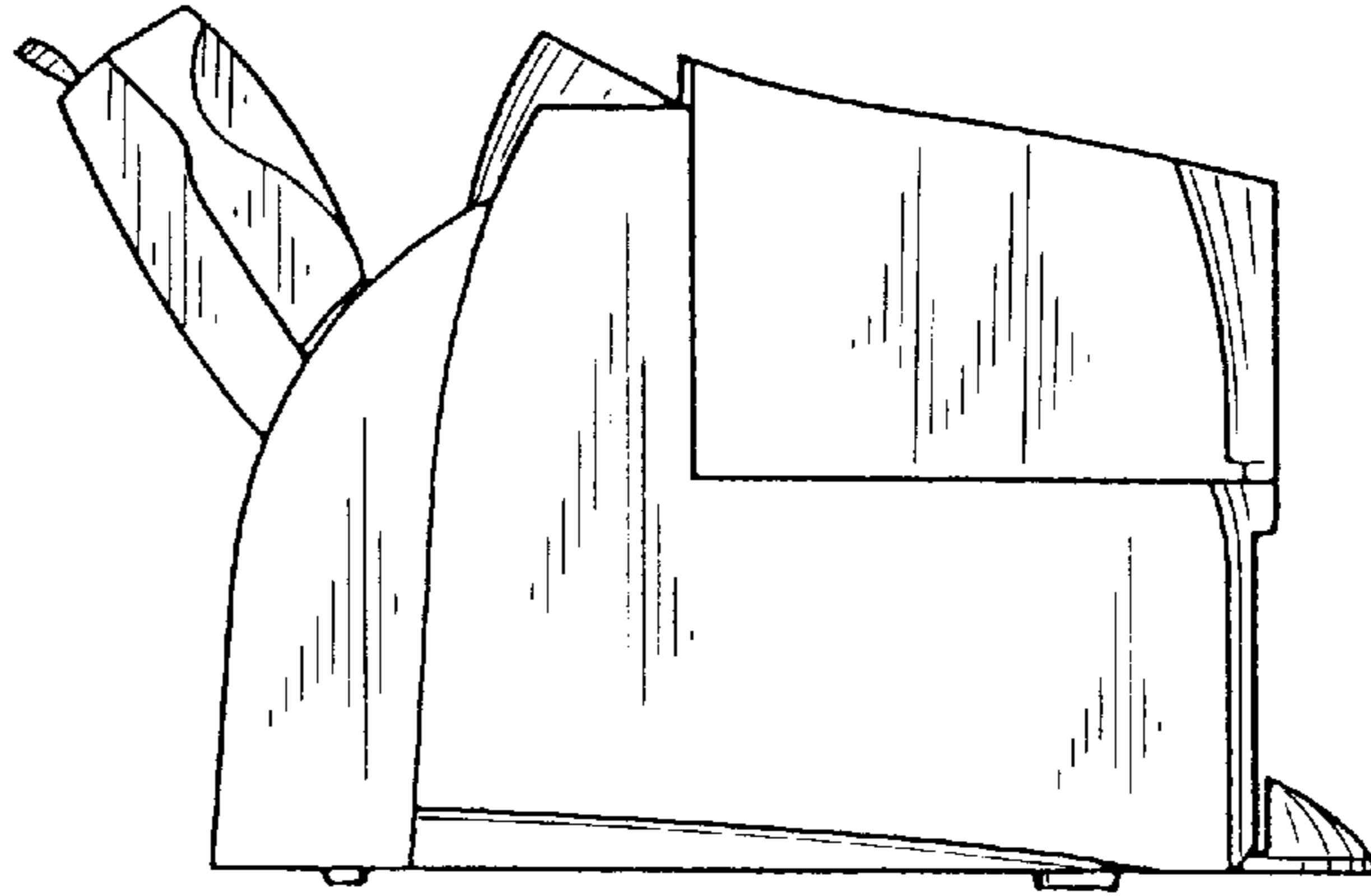


FIG. 6

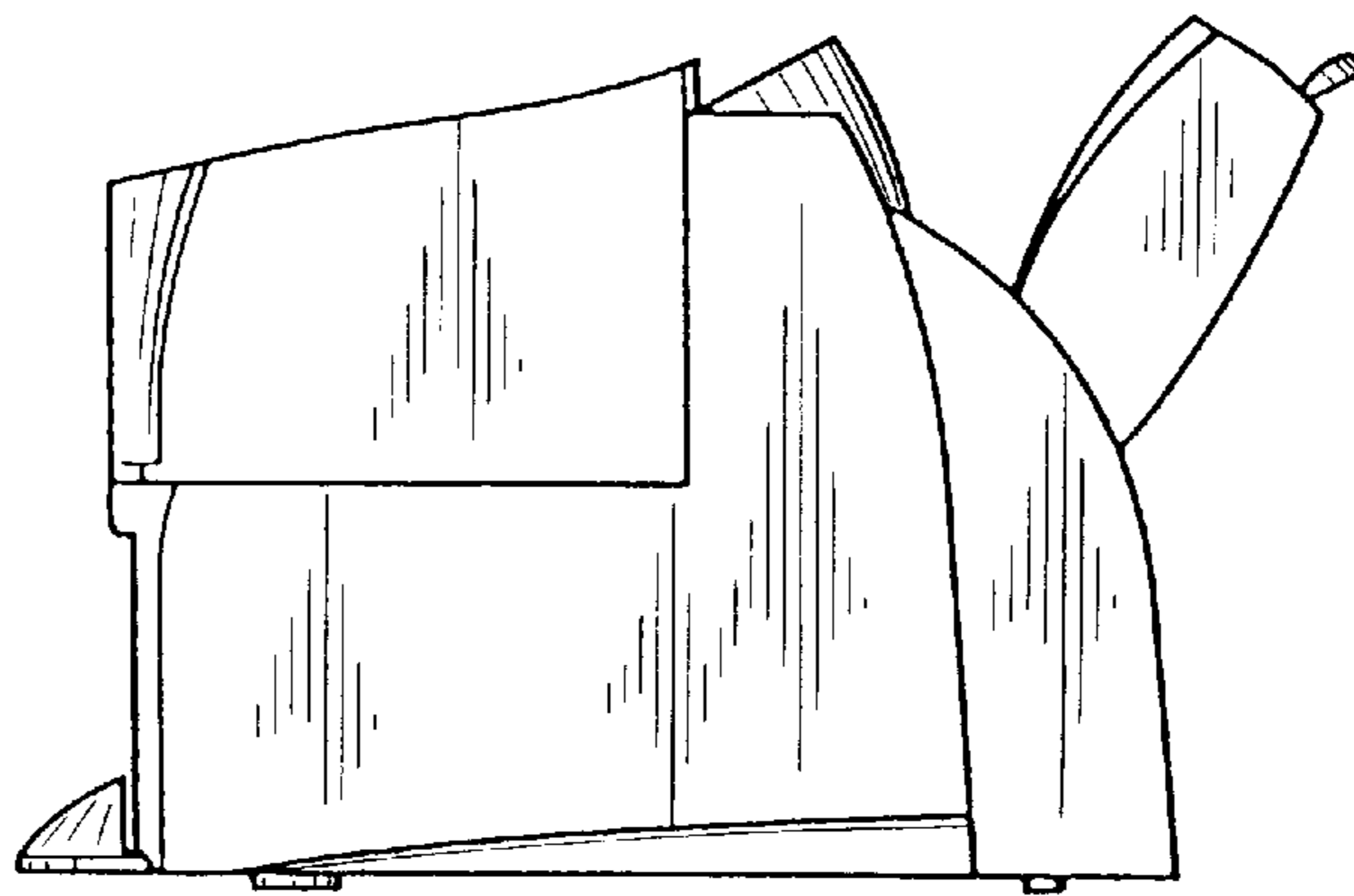
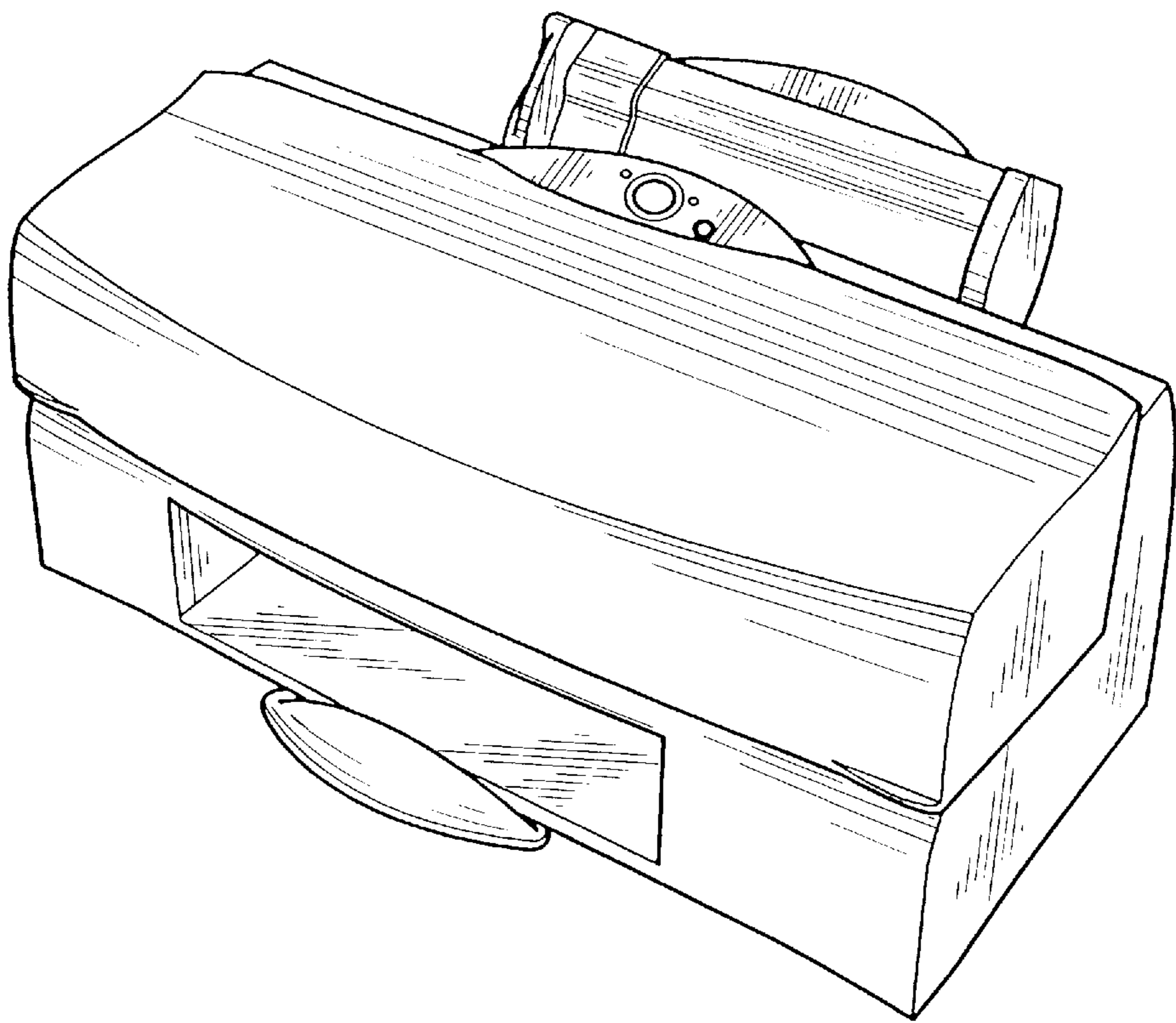


FIG. 7



UNITED STATES PATENT AND TRADEMARK OFFICE
CERTIFICATE OF CORRECTION

PATENT NO. : Des. 400,571
DATED : November 3, 1998
INVENTOR(S) : Hisakazu Shimizu

Page 1 of 1

It is certified that error appears in the above-identified patent and that said Letters Patent is hereby corrected as shown below:

Title page,

Item [73], Assignee, "**Canon Kabushiki Kaisha**" should read -- **Canon Kabushiki Kaisha**, Tokyo, Japan --.

Signed and Sealed this

Third Day of June, 2003

A handwritten signature in black ink, appearing to read "James E. Rogan", written over a horizontal line.

JAMES E. ROGAN
Director of the United States Patent and Trademark Office