



US00D400570S

United States Patent [19]

Konuma et al.

[11] **Patent Number:** **Des. 400,570**

[45] **Date of Patent:** ****Nov. 3, 1998**

[54] **DEVELOPING UNIT FOR AN IMAGE FORMING APPARATUS**

D. 332,962 2/1993 Kikuchi et al. D18/43
D. 378,829 4/1997 Aoyama et al. D18/43 X

[75] Inventors: **Takeshi Konuma; Tetsuro Tomoe,**
both of Osaka, Japan

Primary Examiner—Caron D. Veynar
Attorney, Agent, or Firm—Jordan and Hamburg

[73] Assignee: **Mita Industrial Co., Ltd.,** Osaka,
Japan

[57] **CLAIM**

[**] Term: **14 Years**

The ornamental design for a developing unit for an image forming apparatus, as shown and described.

[21] Appl. No.: **77,640**

DESCRIPTION

[22] Filed: **Oct. 6, 1997**

[30] **Foreign Application Priority Data**

Apr. 15, 1997 [JP] Japan 9-51513

[51] **LOC (6) Cl.** **16-03**

[52] **U.S. Cl.** **D18/40**

[58] **Field of Search** D18/36, 40, 43,
D18/56; 222/DIG. 1; 399/24, 25, 27, 31,
119, 130, 252, 262

FIG. 1 is a front view of the developing unit;
FIG. 2 is a rear view of the developing unit;
FIG. 3 is a top view of the developing unit;
FIG. 4 is a bottom view of the developing unit;
FIG. 5 is a left side view of the developing unit;
FIG. 6 is a right side view of the developing unit;
FIG. 7 is a perspective view of the developing unit; and,
FIG. 8 is another perspective view of the developing unit.

[56] **References Cited**

U.S. PATENT DOCUMENTS

D. 327,088 6/1992 Murase D18/43 X

1 Claim, 5 Drawing Sheets

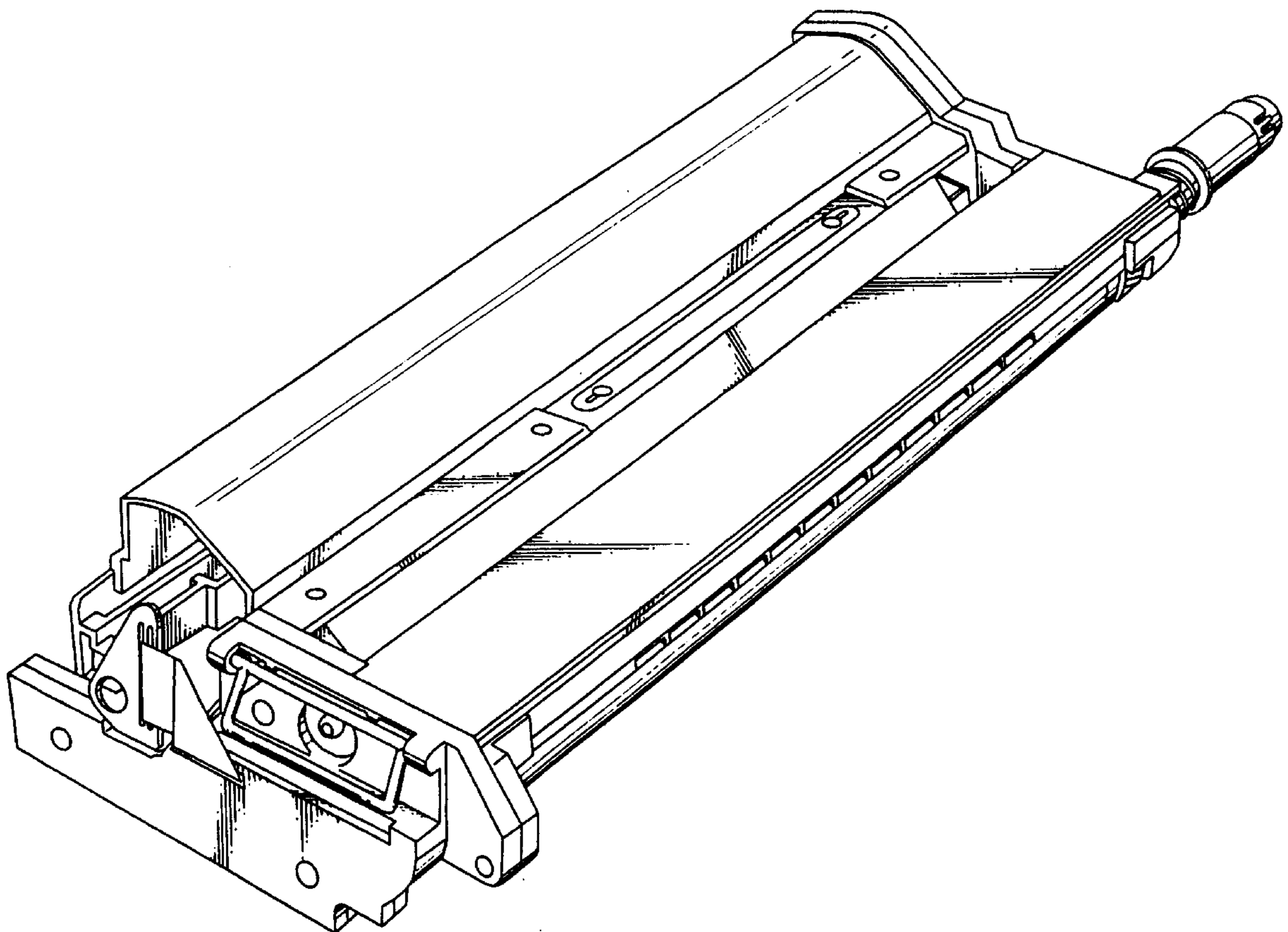


FIG. 1

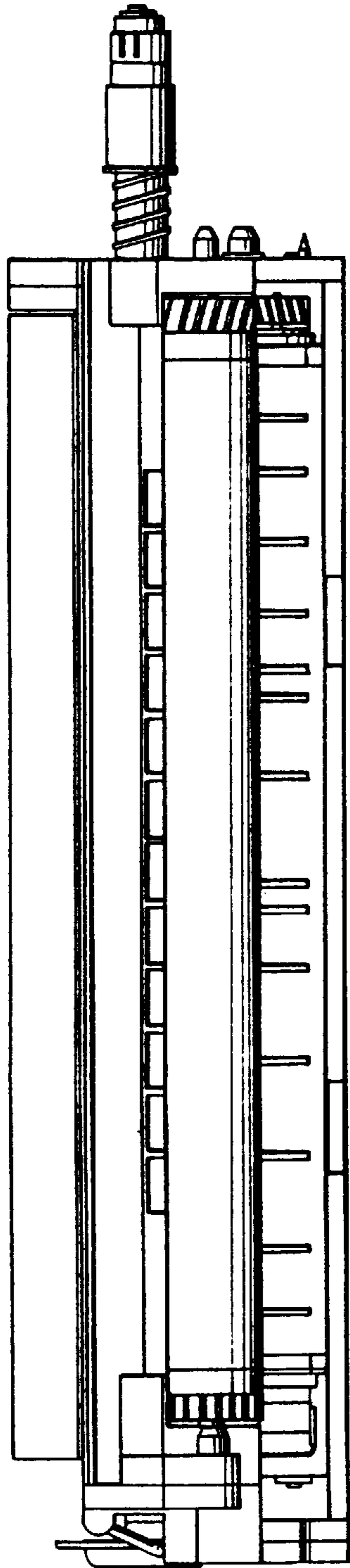


FIG. 2

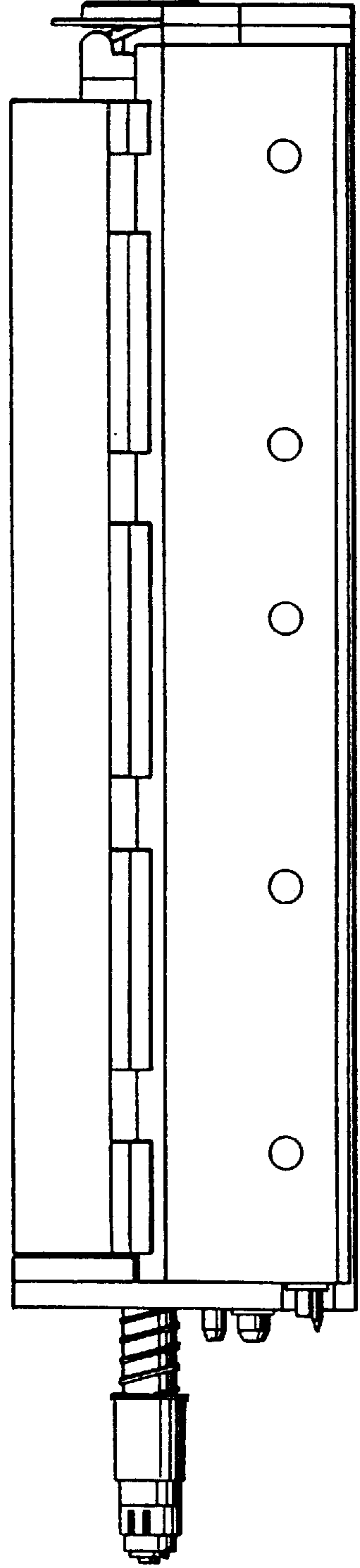


FIG. 3

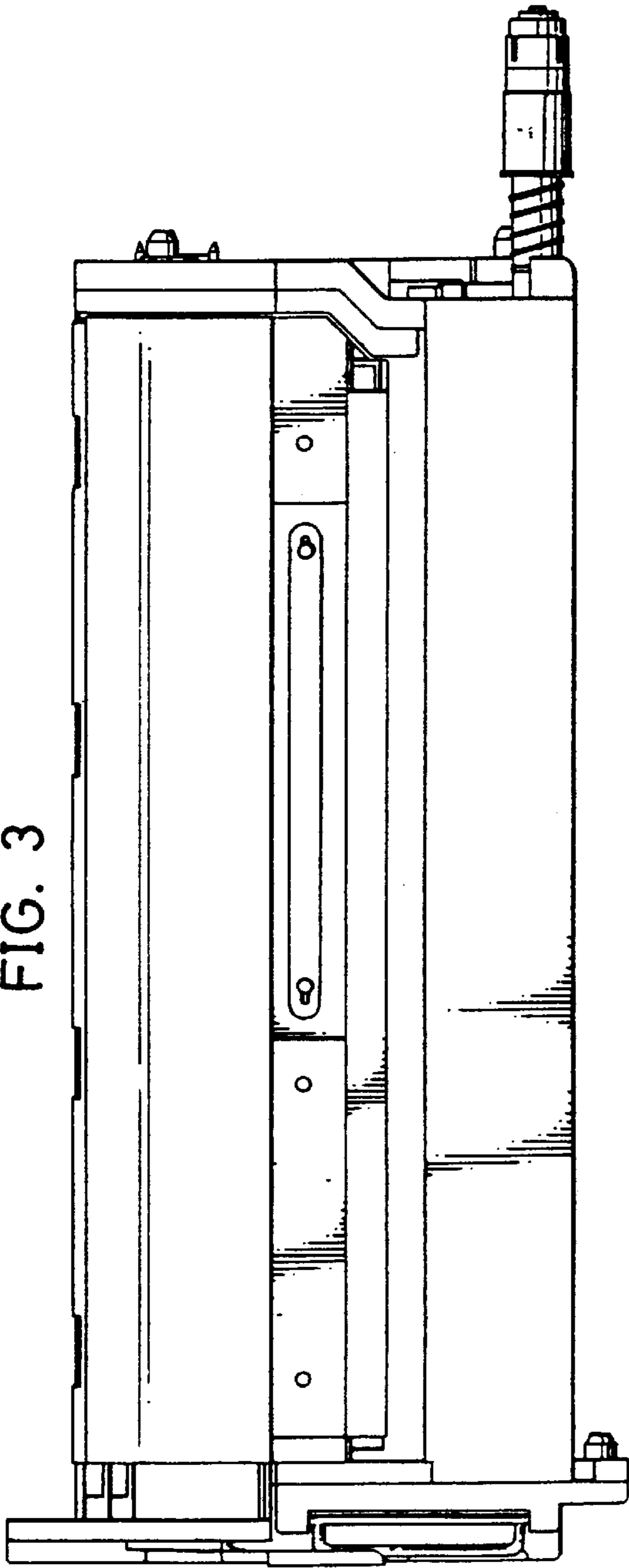


FIG. 4

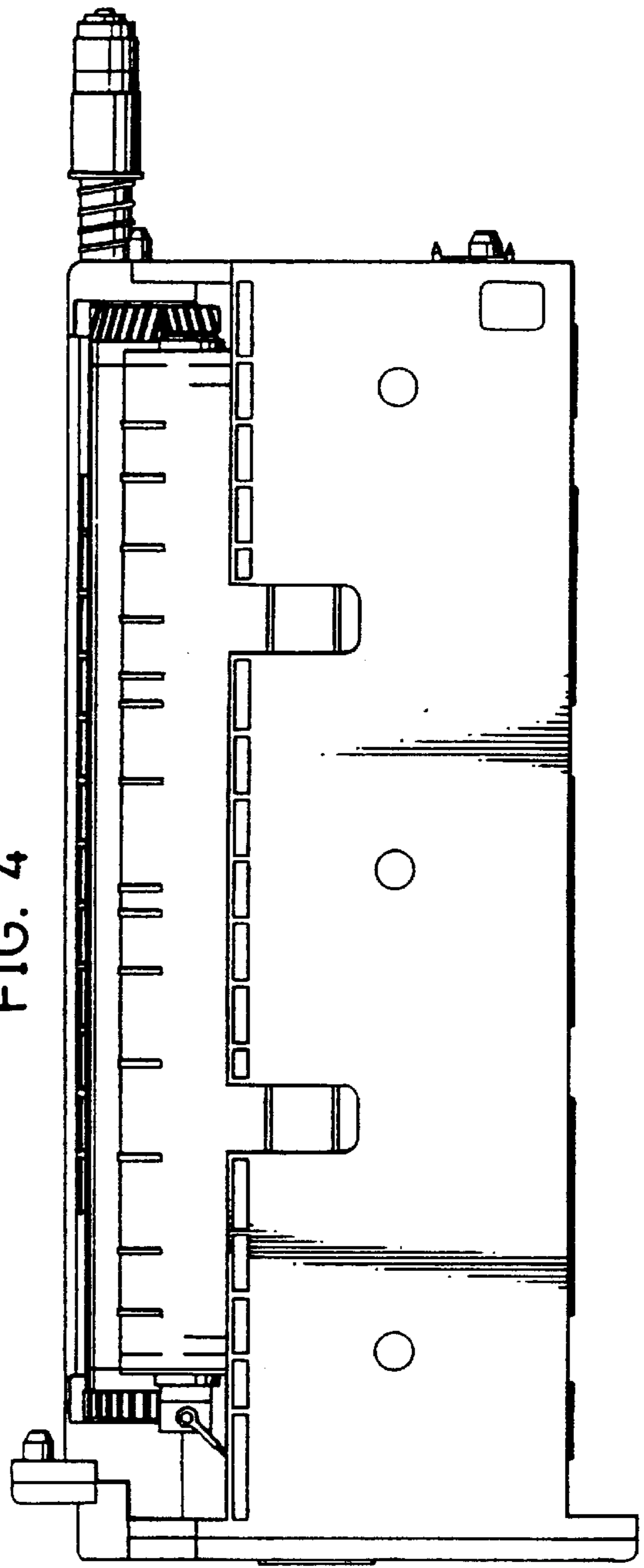


FIG. 6

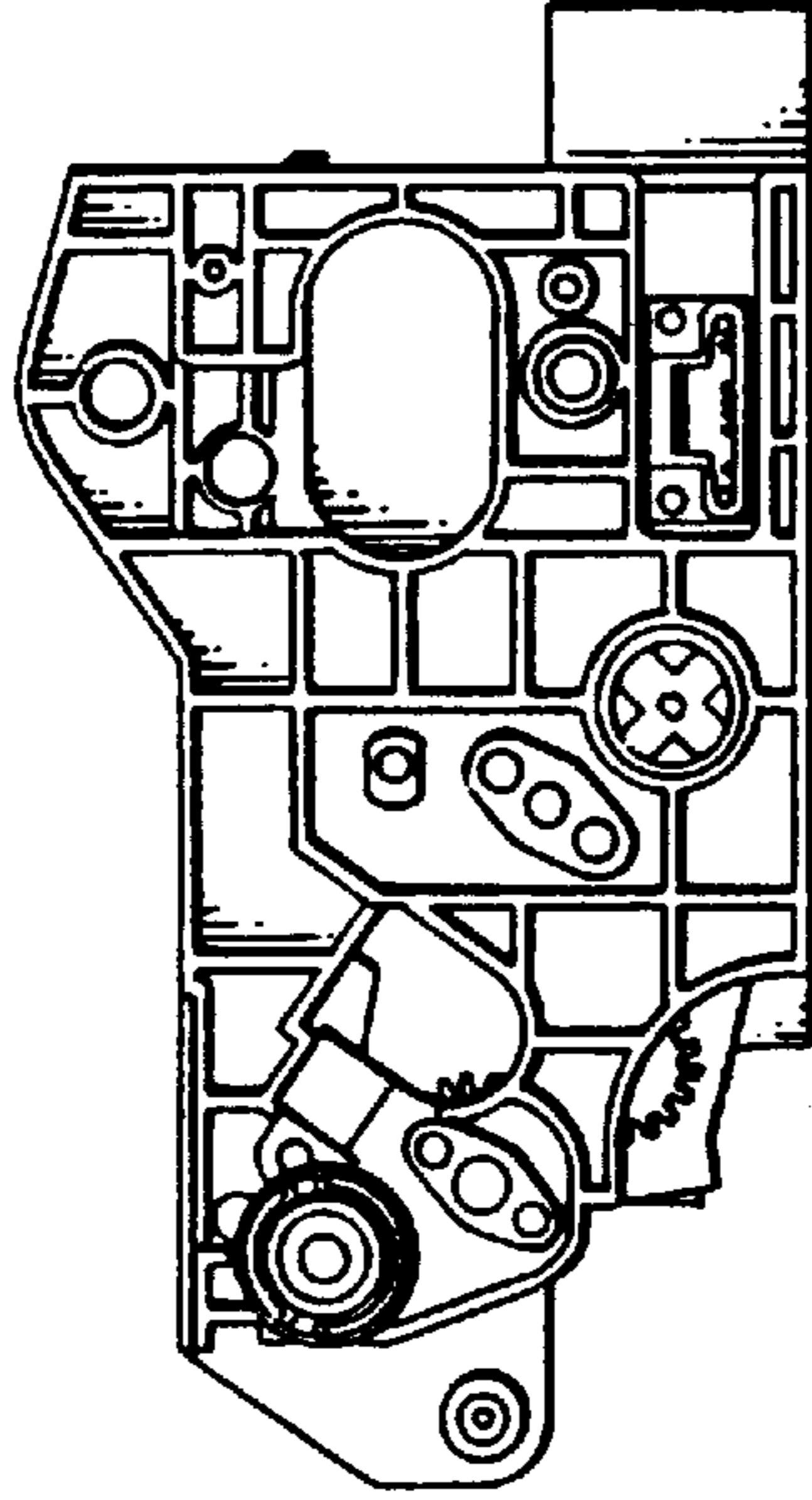
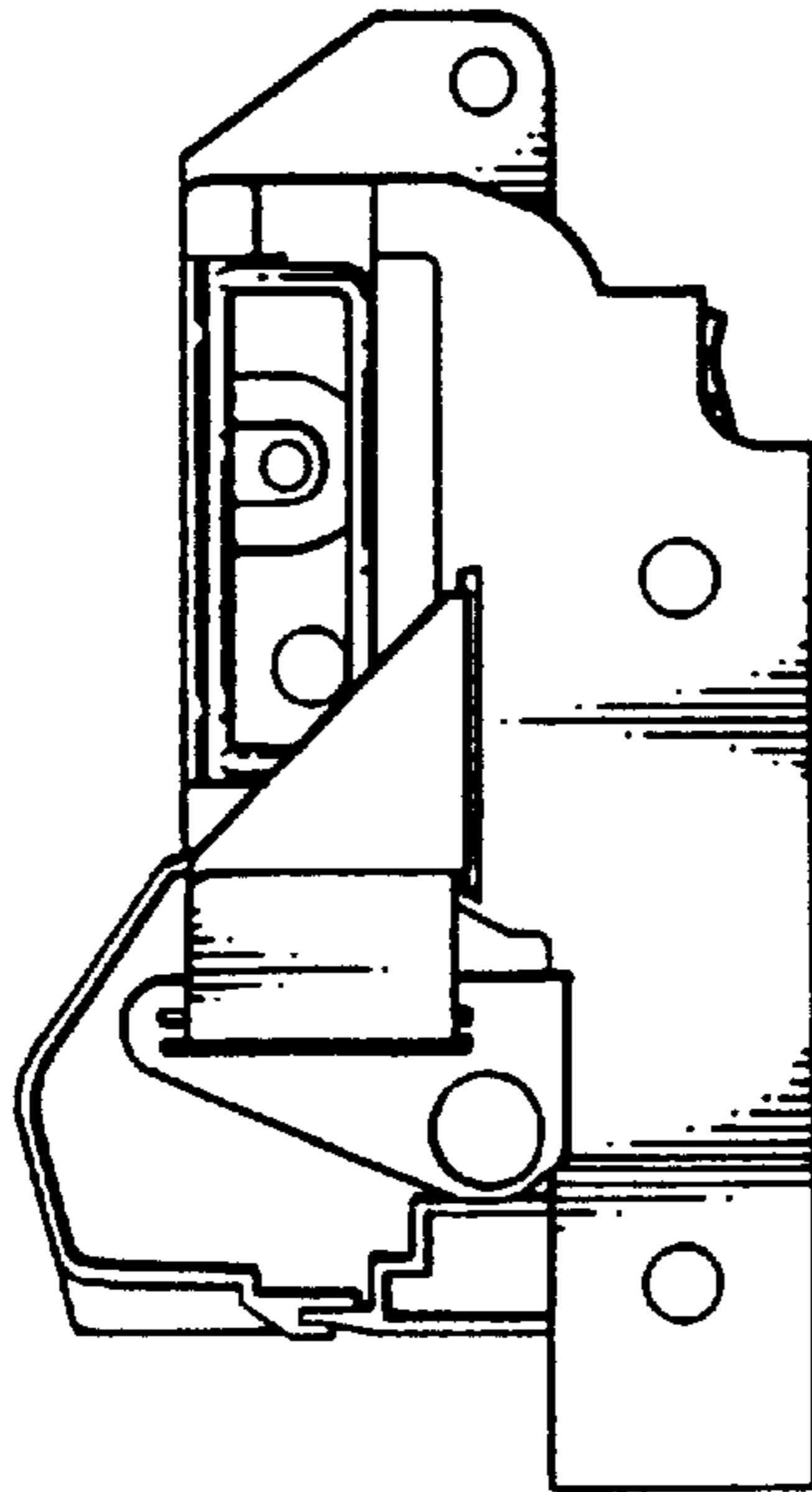


FIG. 5



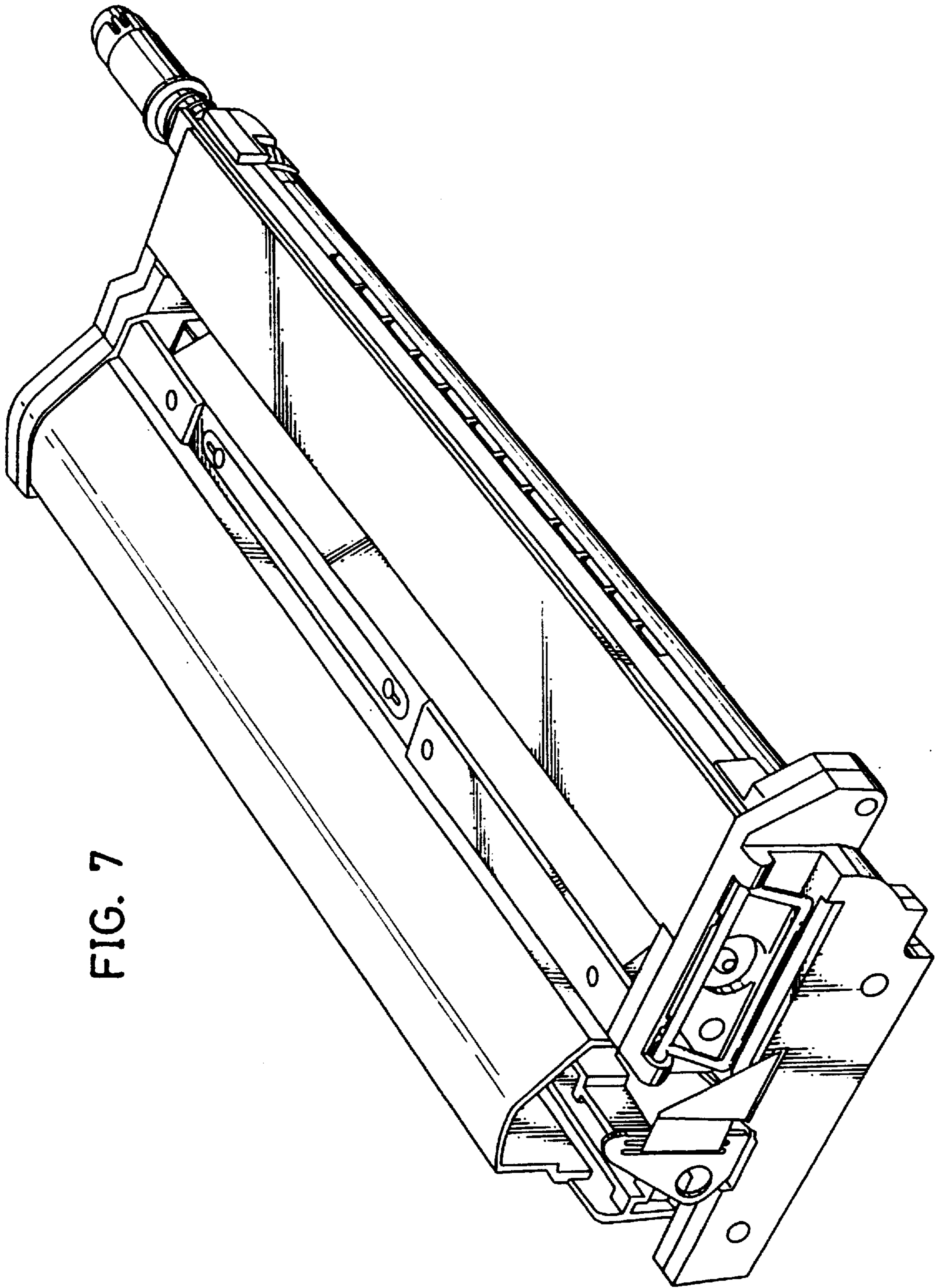


FIG. 7

FIG. 8

