



US00D400567S

United States Patent [19] Yasoshima

[11] **Patent Number: Des. 400,567**

[45] **Date of Patent: **Nov. 3, 1998**

[54] **COMBINED STAMP PAD AND CONTAINER**

[75] Inventor: **Rira Yasoshima**, Tokyo, Japan

[73] Assignee: **Tsukineko, Inc.**, Redmond, Wash.

[**] Term: **14 Years**

[21] Appl. No.: **60,503**

[22] Filed: **Sep. 30, 1996**

[51] **LOC (6) Cl. 19-02**

[52] **U.S. Cl. D18/17**

[58] **Field of Search D18/14, 15, 17,
D18/18, 19; D19/65; 101/327, 333, 334,
405, 406; 401/199**

[56] **References Cited**

U.S. PATENT DOCUMENTS

D. 184,720	3/1959	Fleming .	
D. 247,063	1/1978	Funahashi .	
D. 252,935	9/1979	Henkels	D19/77
D. 331,418	12/1992	Winston	D18/15
D. 345,826	4/1994	Byars et al.	D28/83
D. 347,089	5/1994	Byars et al.	D28/83
D. 369,384	4/1996	Yasoshima	D19/36
D. 372,731	8/1996	Yasoshima	D18/17
602,061	4/1898	Echelberger	118/264
848,063	3/1907	Sommer	118/264

(List continued on next page.)

FOREIGN PATENT DOCUMENTS

546609	9/1957	Canada	101/333
167 380 A	1/1986	European Pat. Off. .	
2675740 A1	10/1992	France .	
662905	6/1938	Germany .	
4-312881 A	11/1992	Japan .	
4940	4/1896	United Kingdom .	
2045687	11/1980	United Kingdom .	

OTHER PUBLICATIONS

Tsukineko, Japanese Catalog, 1993.
U.S. application No. 08/472,258, Yasoshima, filed Jun. 7, 1995.

U.S. application No. 08/039,823, Yasoshima, filed Jun. 6, 1995.

U.S. application No. 08/039,822, Yasoshima, filed Jun. 6, 1995.

U.S. application No. 08/045,055, Yasoshima, filed Oct. 6, 1995.

Clearsnap, Color Box Pigment Stamp Pads, See circled stamp pad, top left, 1993.

Primary Examiner—Louis S. Zarfes
Assistant Examiner—G. Albert Andoll
Attorney, Agent, or Firm—Seed and Berry LLP

[57] **CLAIM**

The ornamental design for a combined stamp pad and container, as shown and described.

DESCRIPTION

FIG. 1 is an isometric view of a first embodiment for a combined stamp pad and printer showing my new design with one ink pad;

FIG. 2 is a top plan view thereof;

FIG. 3 is an end view thereof, the opposite end view is identical to the end shown;

FIG. 4 is a side view thereof, the opposite side is identical to the side shown;

FIG. 5 is a cross-sectional side view taken along line 5—5 of FIG. 2, the opposite cross sectional side view is identical to the side shown;

FIG. 6 is a bottom plan view thereof;

FIG. 7 is an isometric view of a second embodiment for a combined stamp pad and printer with three ink pads;

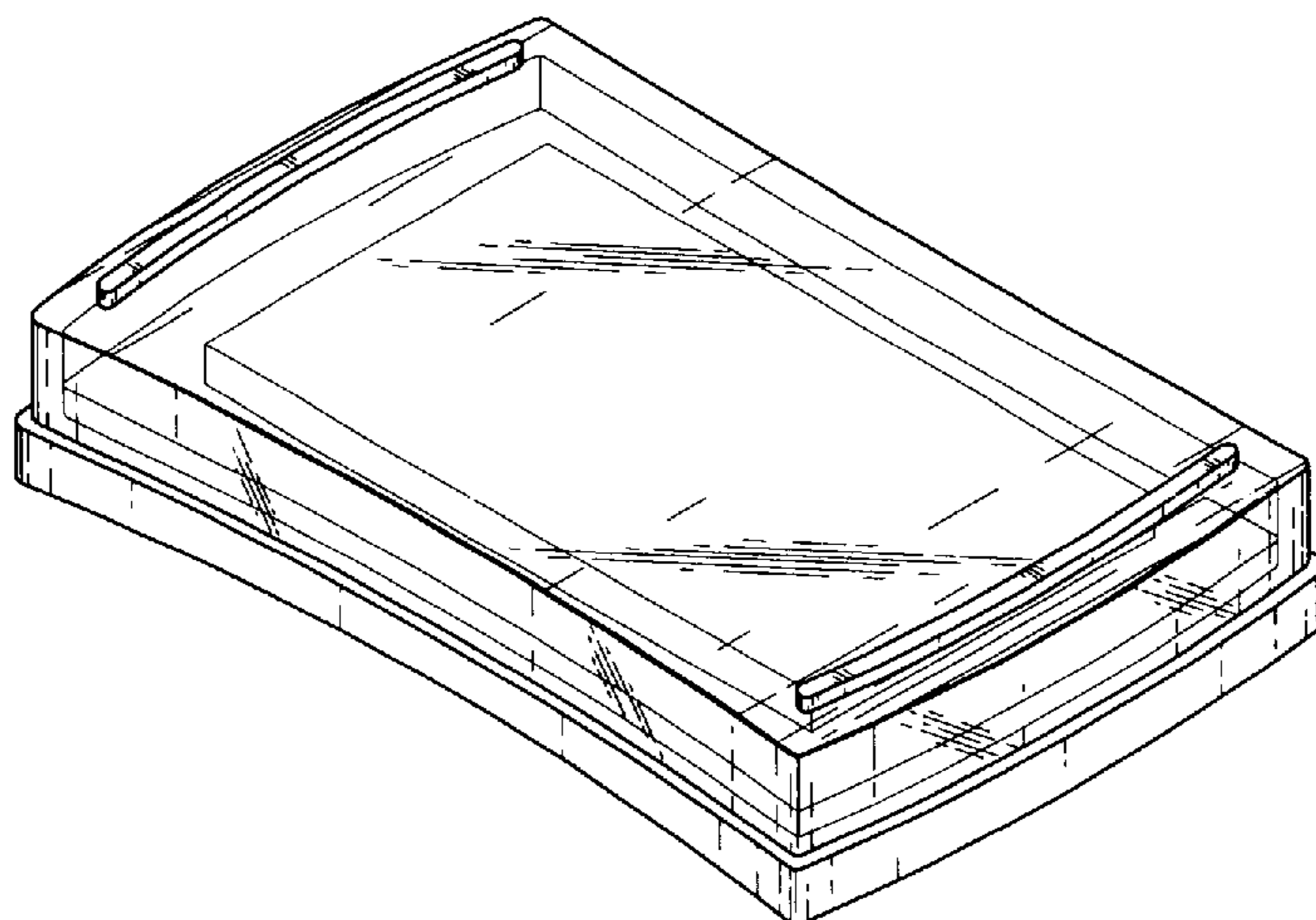
FIG. 8 is a top plan view thereof;

FIG. 9 is a side view thereof, the opposite side is identical to the side shown; and,

FIG. 10 is a cross-sectional side view taken along line 10—10 of FIG. 8, the opposite cross sectional side view is identical to the side shown.

The end views and bottom view of the second embodiment are identical to FIGS. 3 and 6, respectively.

1 Claim, 2 Drawing Sheets



Des. 400,567

Page 2

U.S. PATENT DOCUMENTS					
		5,505,130	4/1996	Winston	101/333
		5,531,829	7/1996	Yasoshima	118/264
		5,601,644	2/1997	Yasoshima	118/46
		1,173,092	2/1916	Bickerton	118/270
		1,463,718	7/1923	Munson	118/264
		1,598,538	8/1926	Mann	118/269
		1,796,137	3/1931	Baumgarten	118/264
		2,117,470	5/1938	Zareko	118/264
		2,290,488	7/1942	Munson	118/264
2,374,198	4/1945			Harris .	
2,422,814	6/1947			Alexander .	
2,723,476	11/1955			Lyon .	
3,326,180	6/1967			Lofgren .	
3,590,734	7/1971			Carter	101/333
4,029,011	6/1977			Kurner .	
4,986,175	1/1991			Boehringer et al.	101/125

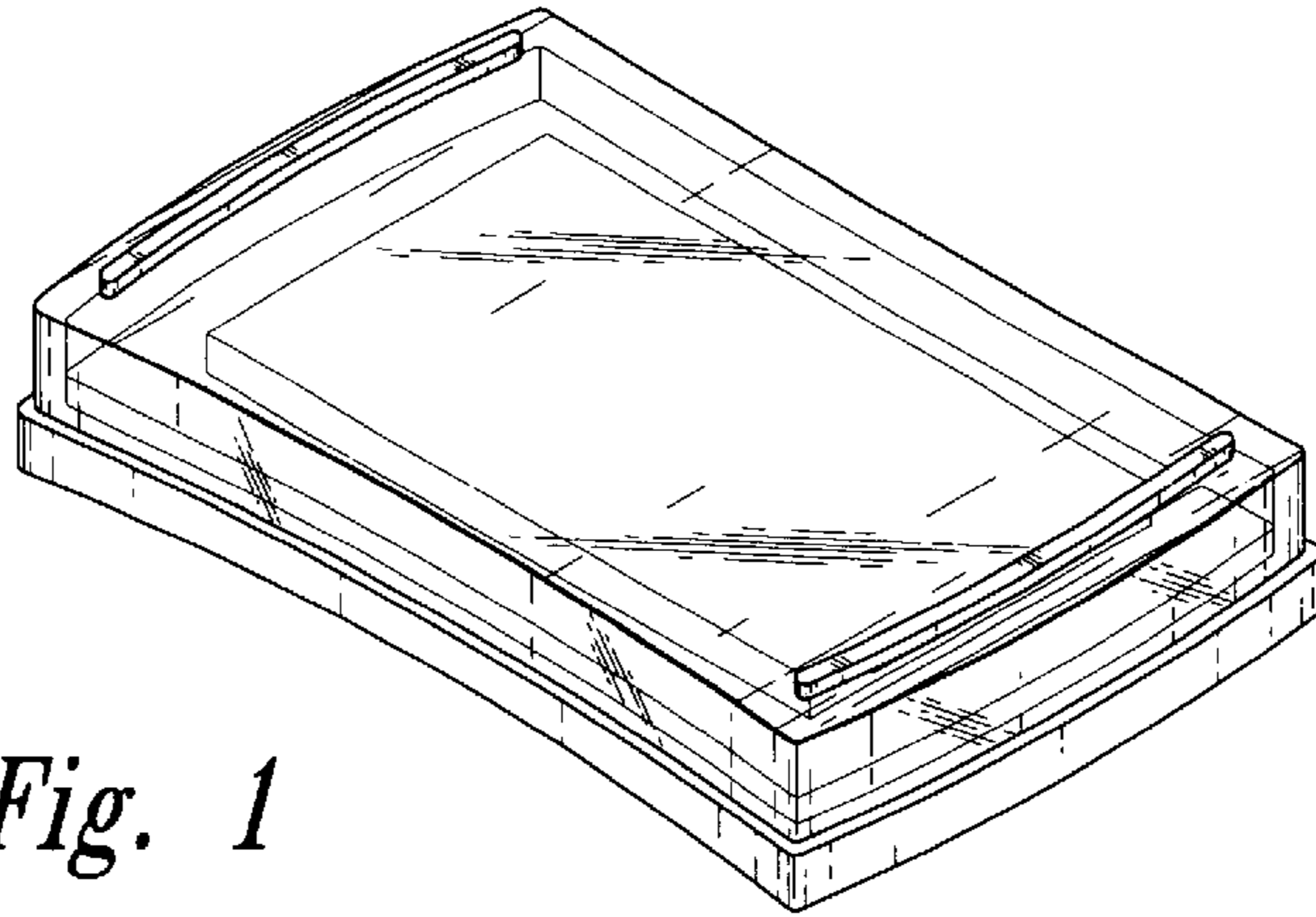


Fig. 1

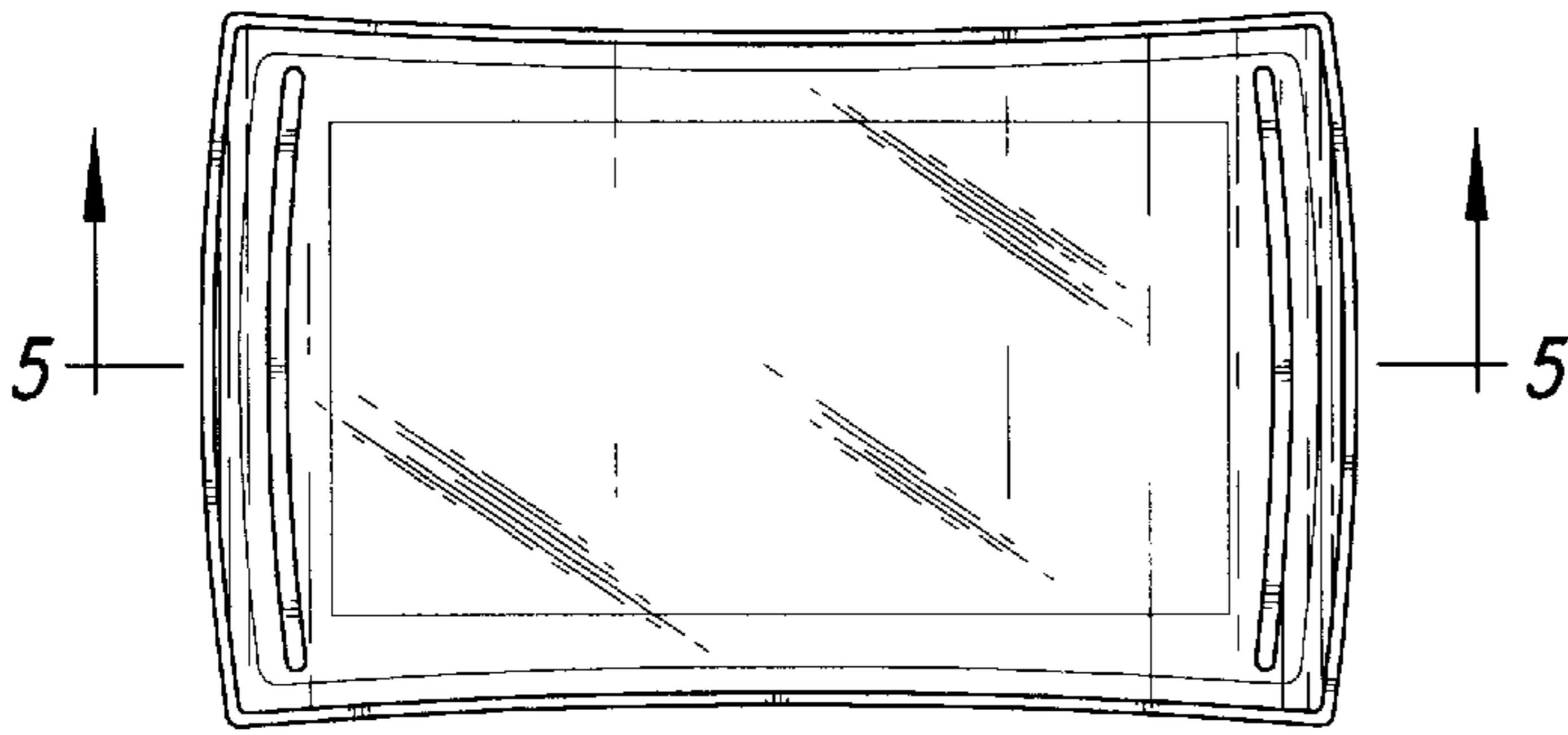


Fig. 2

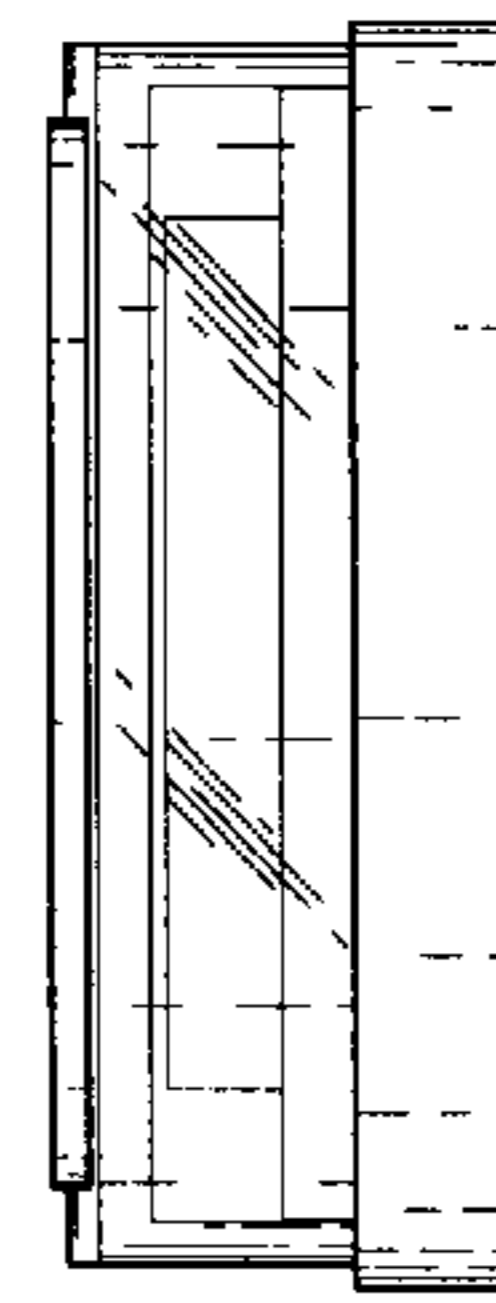


Fig. 3

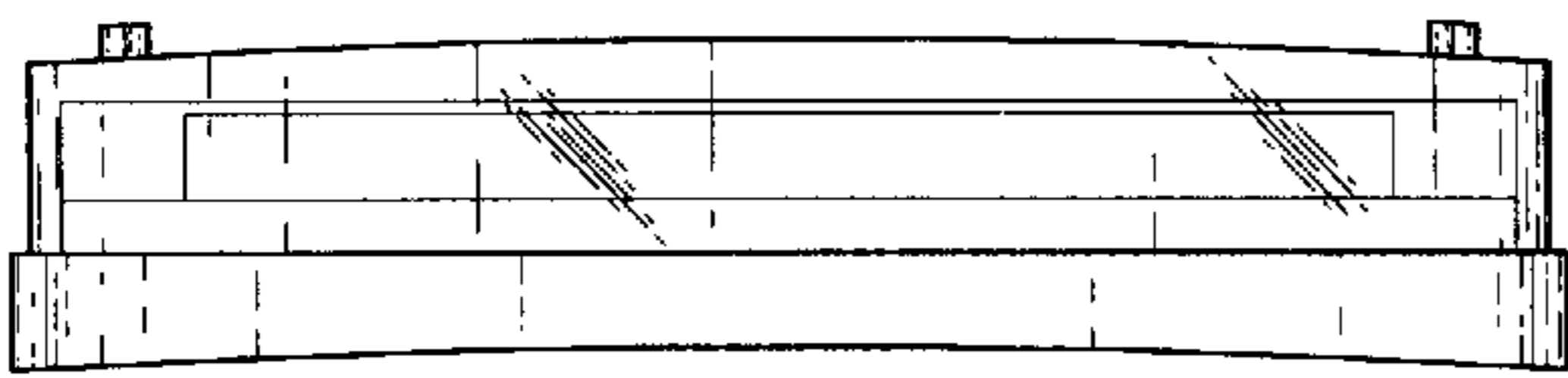


Fig. 4

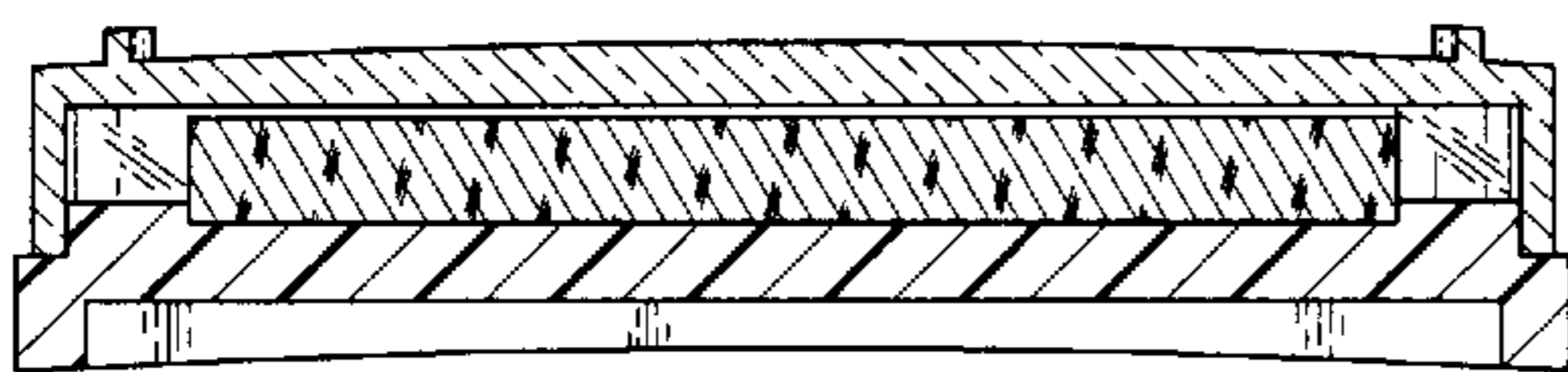


Fig. 5

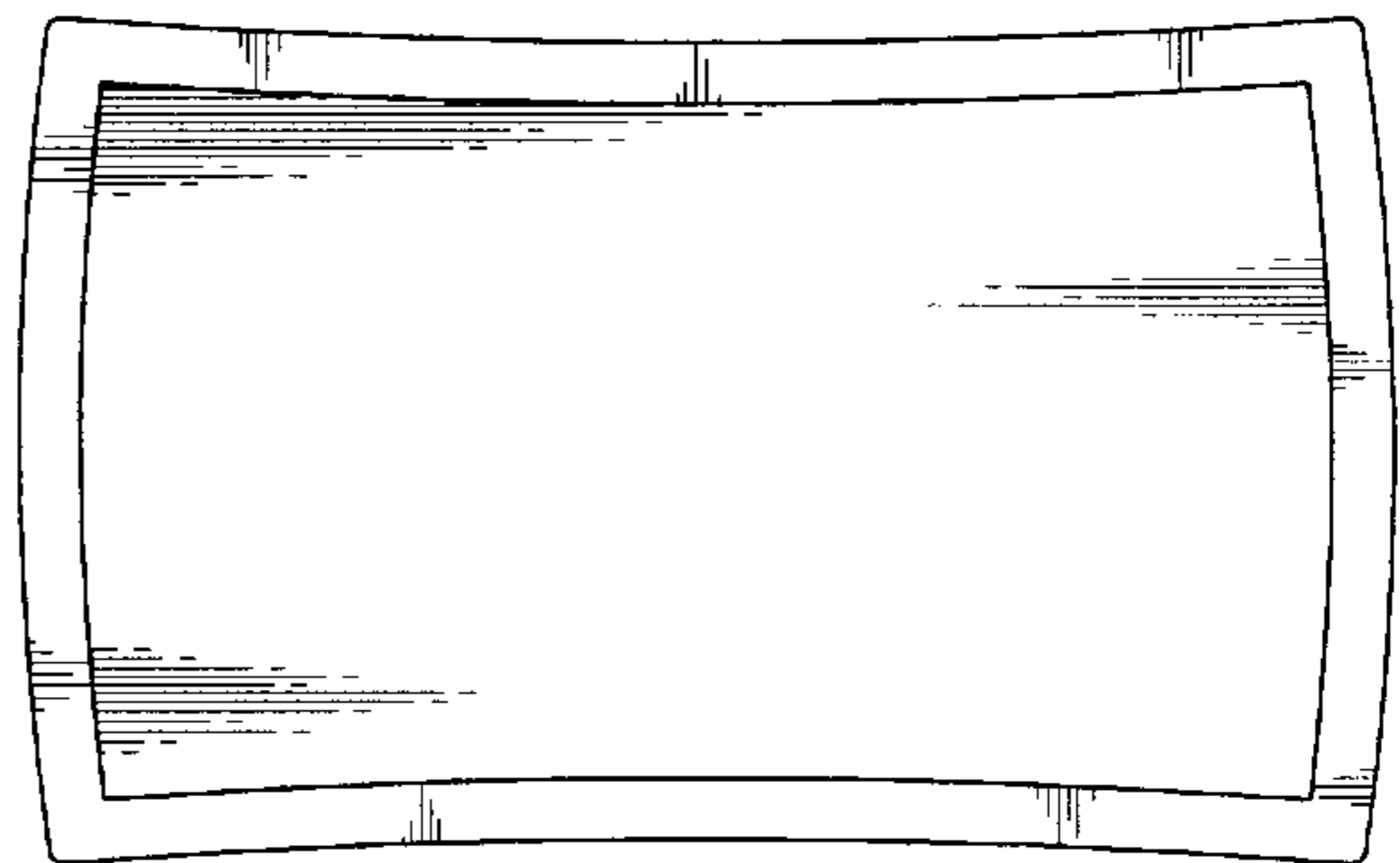


Fig. 6

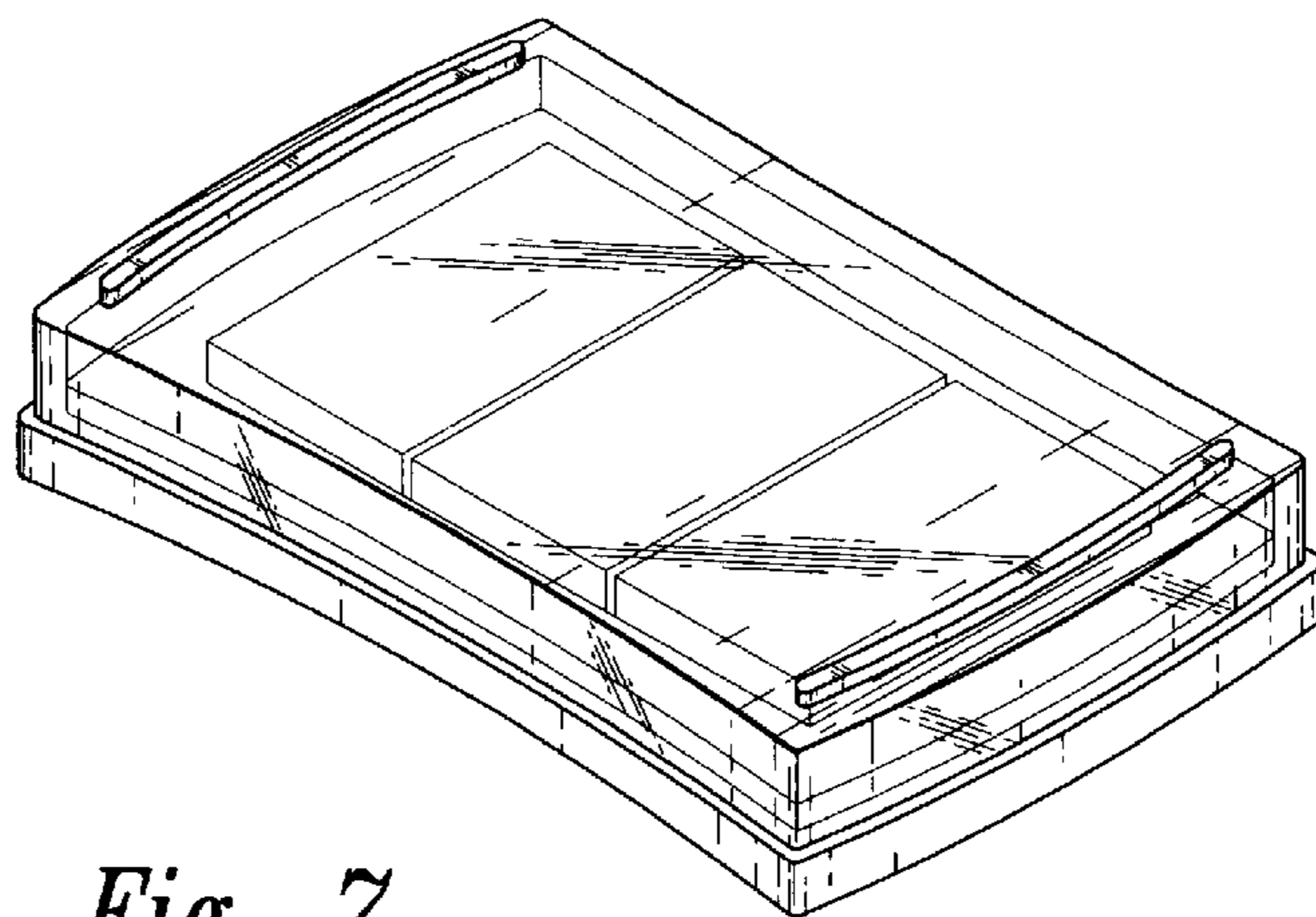


Fig. 7

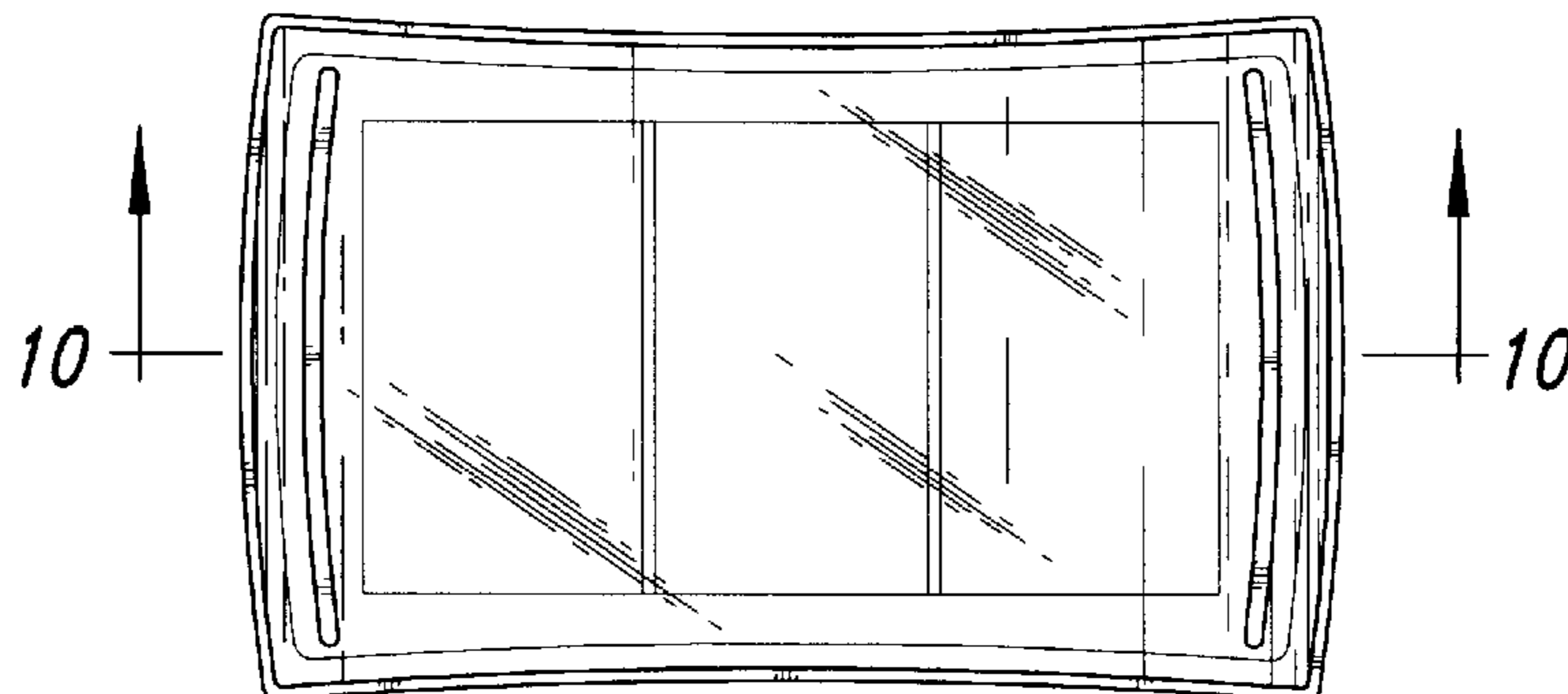


Fig. 8

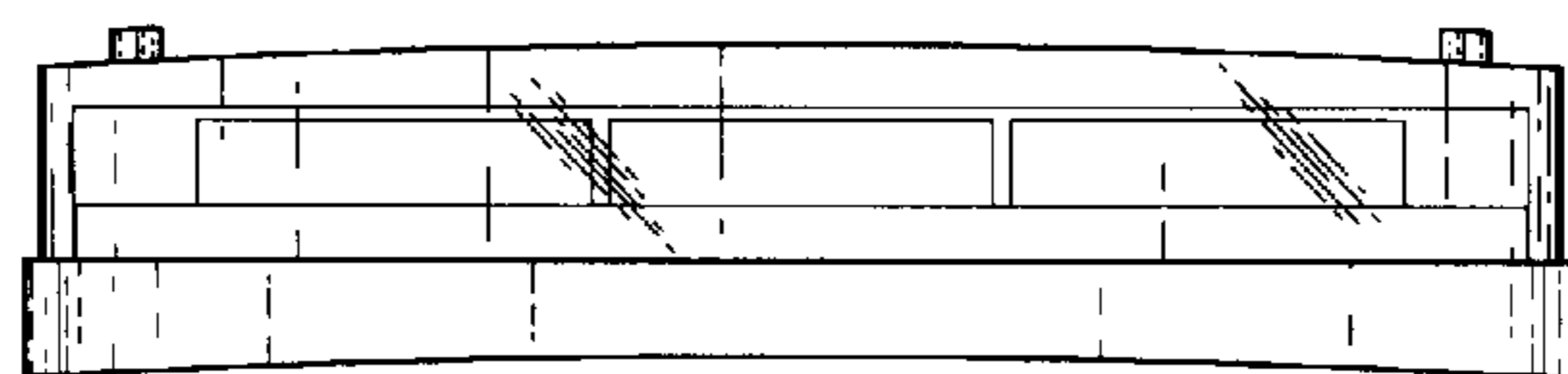


Fig. 9

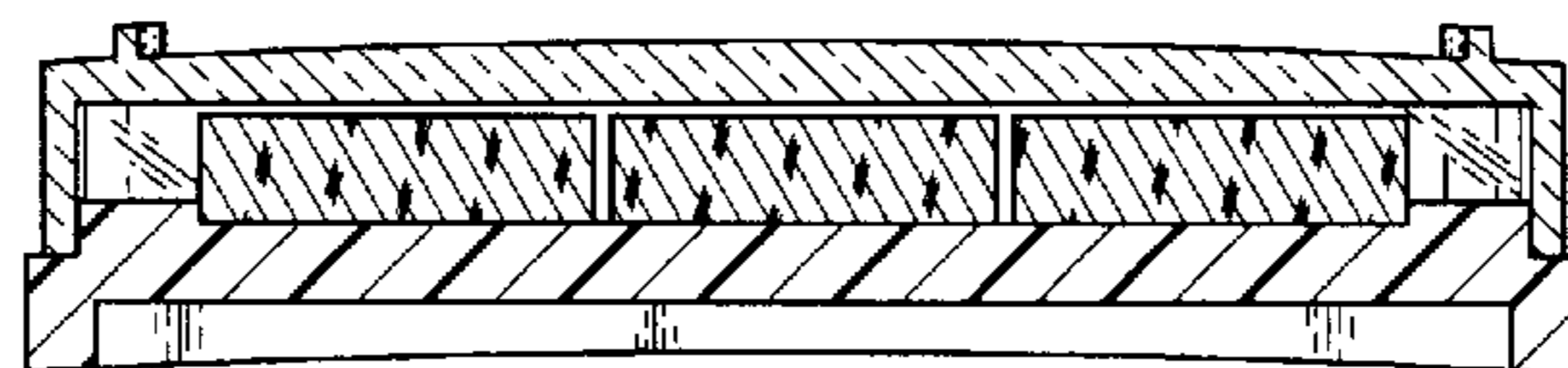


Fig. 10