



US00D400565S

United States Patent [19]

Ahl

[11] **Patent Number:** **Des. 400,565**

[45] **Date of Patent:** ****Nov. 3, 1998**

[54] **DRUM CAGE**

D. 344,093 2/1994 Melick D17/22

[76] Inventor: **Brian D. Ahl**, Rte. 1, #146, Cortland, Nebr. 68331

Primary Examiner—Philip S. Hyder
Assistant Examiner—Adir Aronovich
Attorney, Agent, or Firm—Zarley, McKee, Thomte, Voorhees & Sease

[**] Term: **14 Years**

[21] Appl. No.: **63,660**

[57] **CLAIM**

[22] Filed: **Dec. 12, 1996**

The ornamental design for a drum cage, as shown and described.

[51] **LOC (6) Cl.** **17-04**

DESCRIPTION

[52] **U.S. Cl.** **D17/22; D6/462; 84/421**

[58] **Field of Search** D6/462; D17/22, D17/99; 84/421, 453; 248/443, 175, 176.1; 211/182

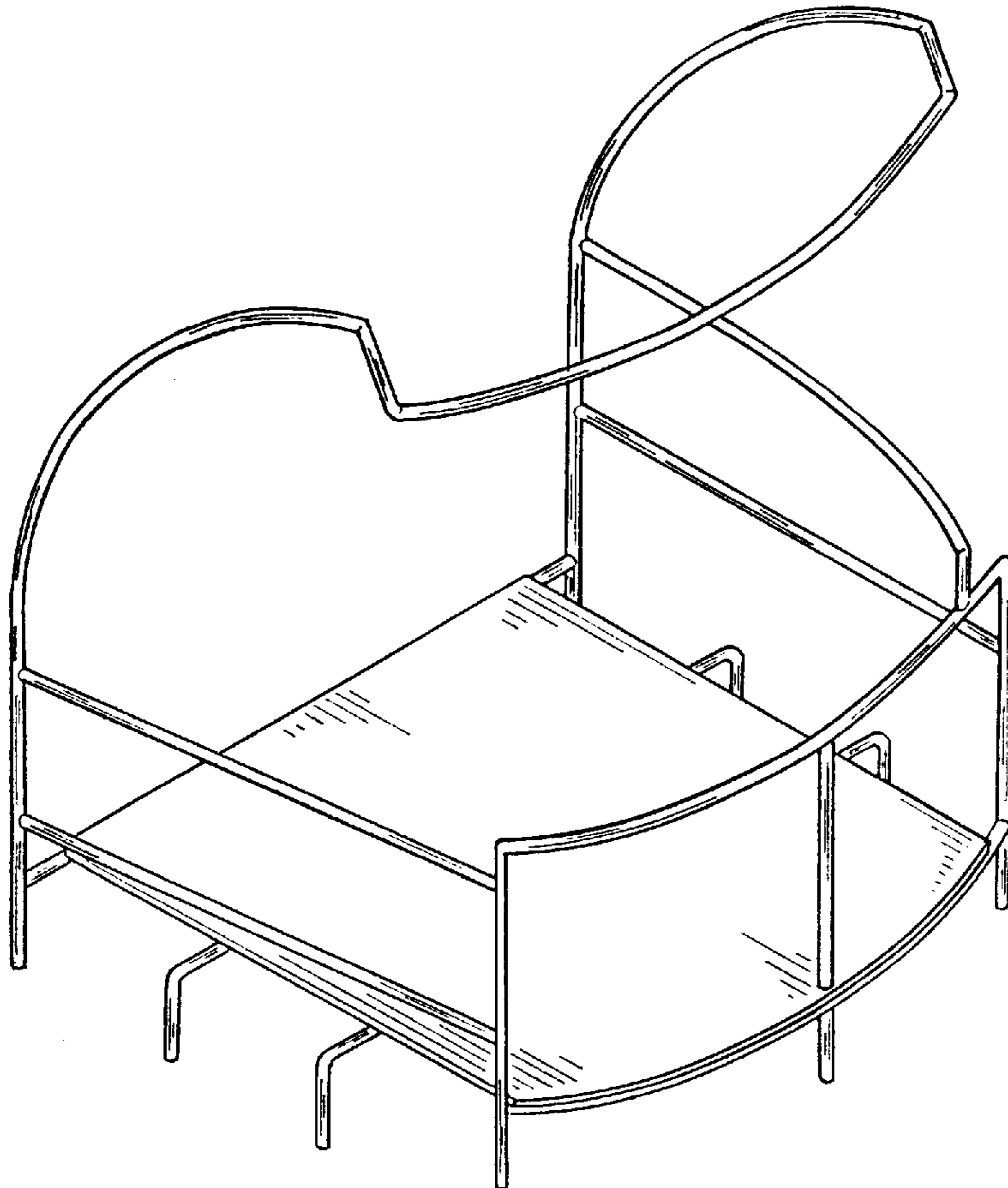
FIG. 1 is a perspective view of the drum cage showing my new design;
FIG. 2 is a front elevational view thereof;
FIG. 3 is an elevation view taken from the right side of FIG. 2, the left elevational view being a mirror image thereof;
FIG. 4 is a top plan view thereof;
FIG. 5 is a rear elevational view thereof; and,
FIG. 6 is a bottom plan view thereof.

[56] **References Cited**

U.S. PATENT DOCUMENTS

- D. 244,798 6/1977 Fleck D17/22
- D. 280,871 10/1985 Provan D6/462
- D. 314,098 1/1991 Kee D6/462

1 Claim, 2 Drawing Sheets



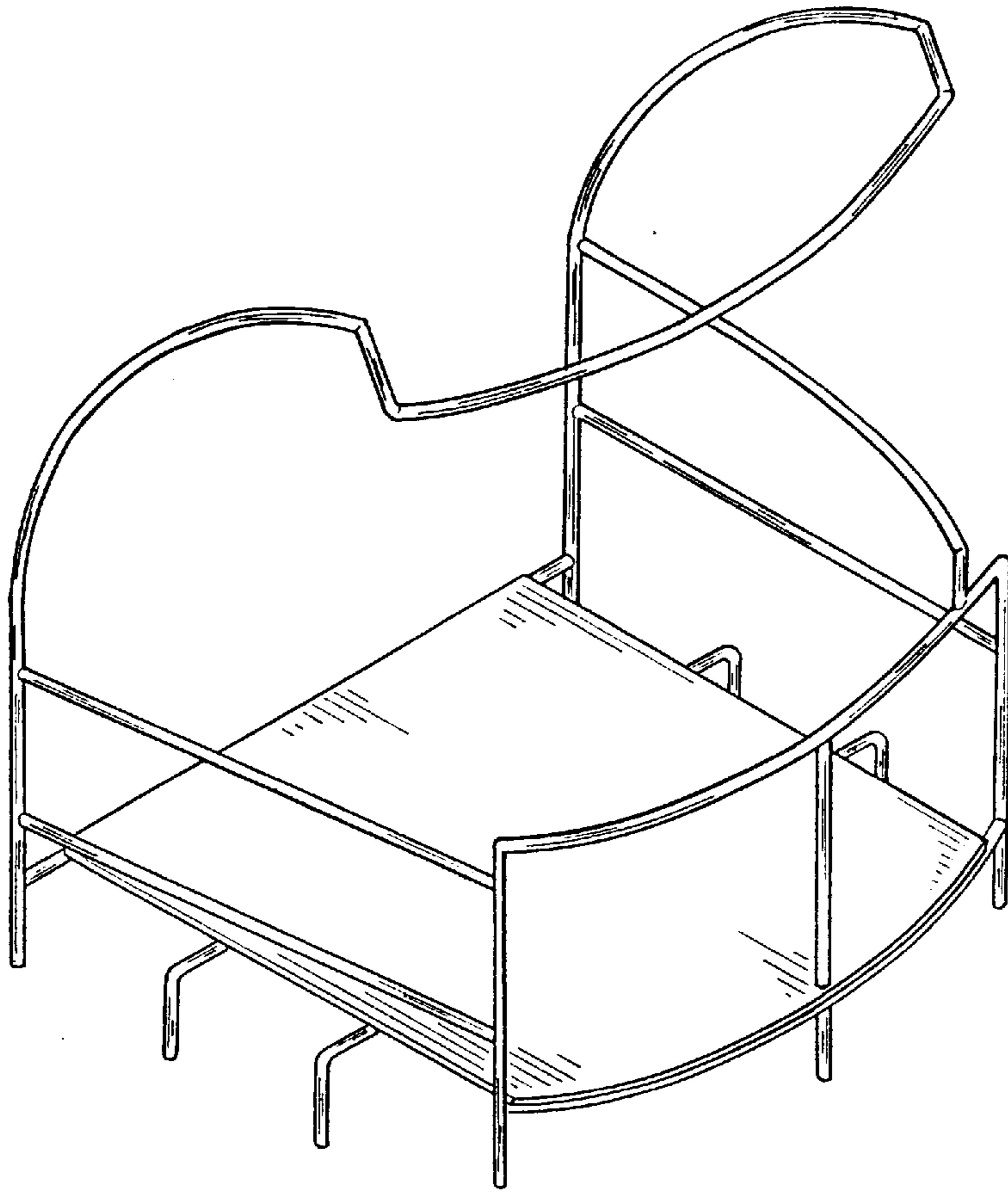


FIG. 1

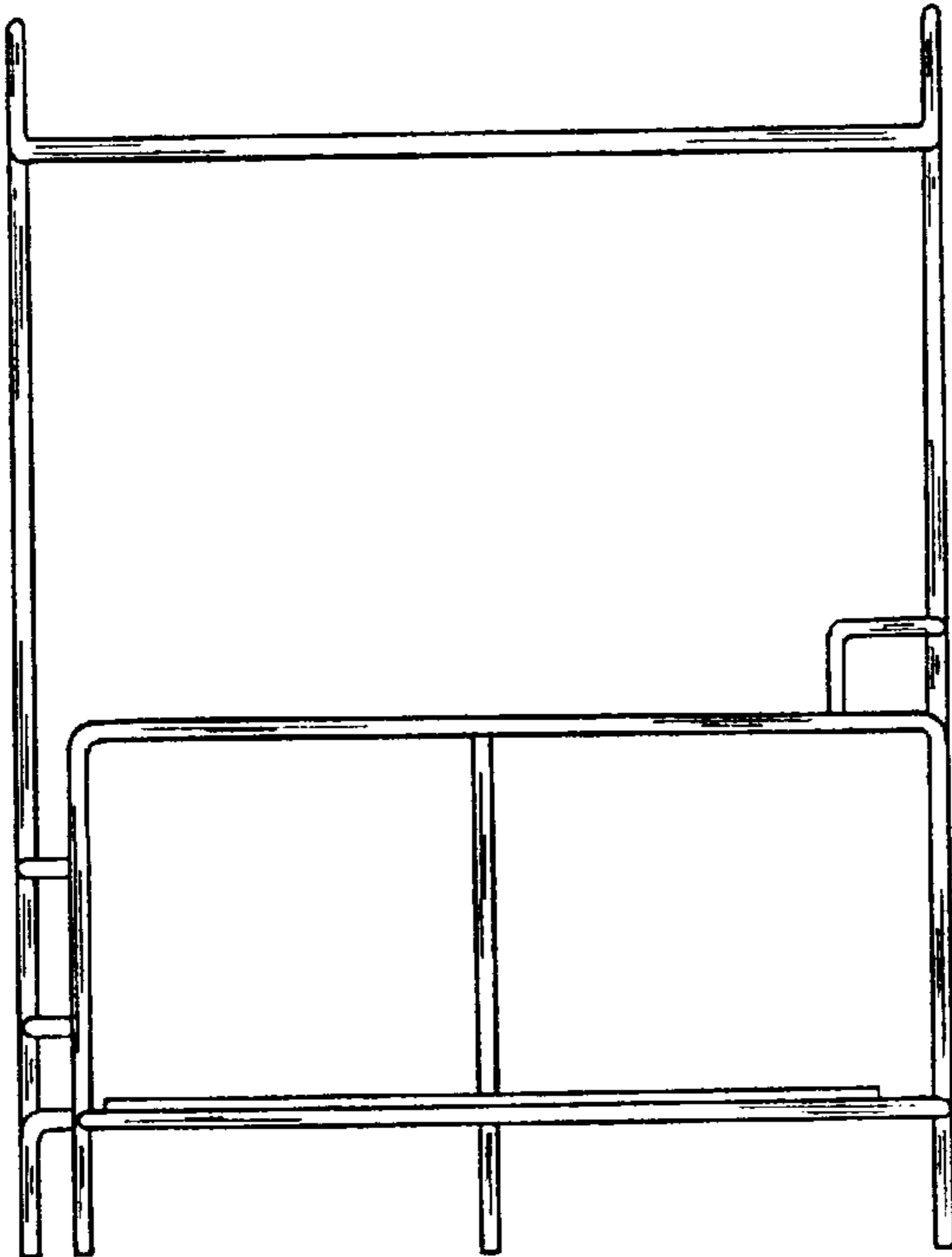


FIG. 2

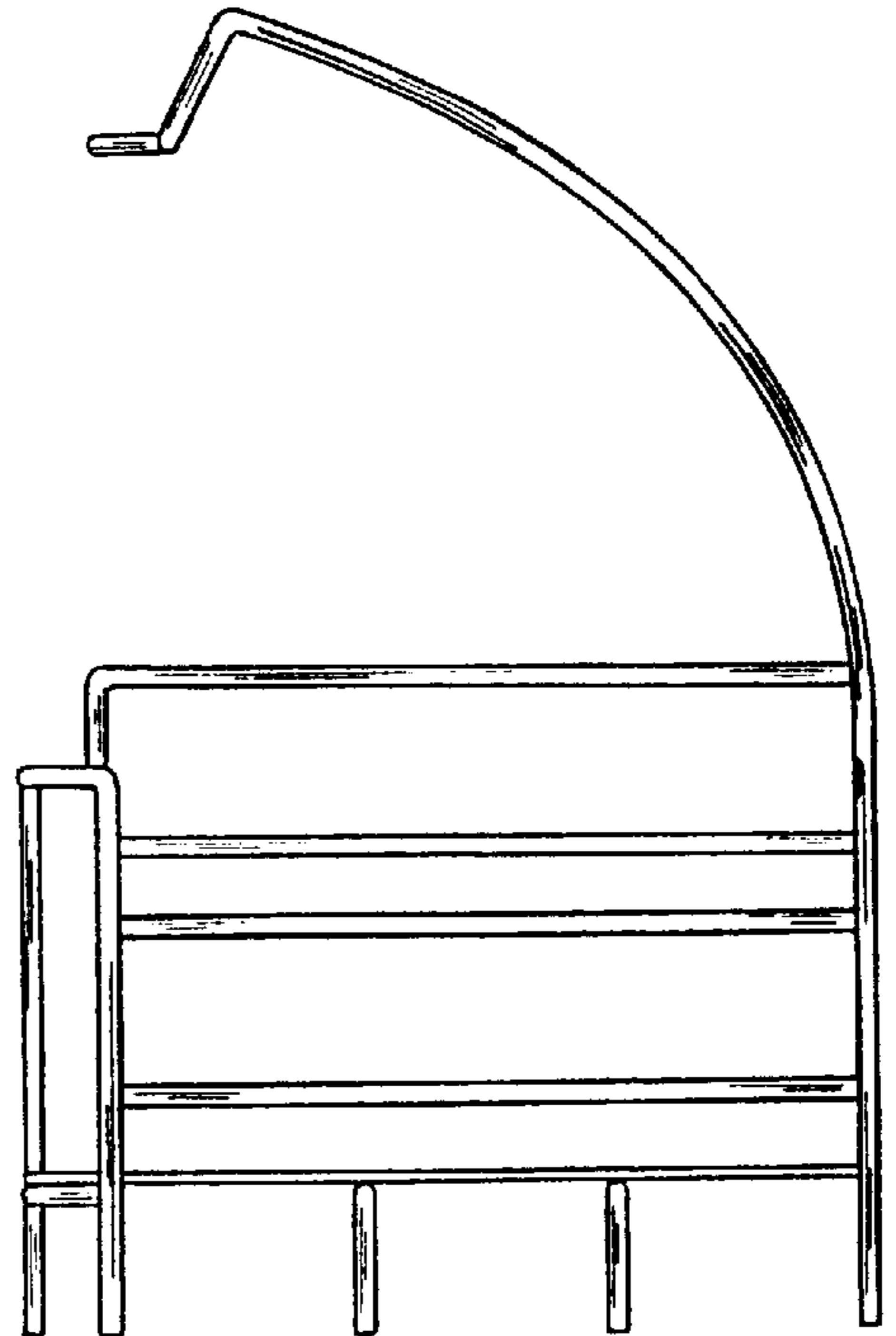


FIG. 3

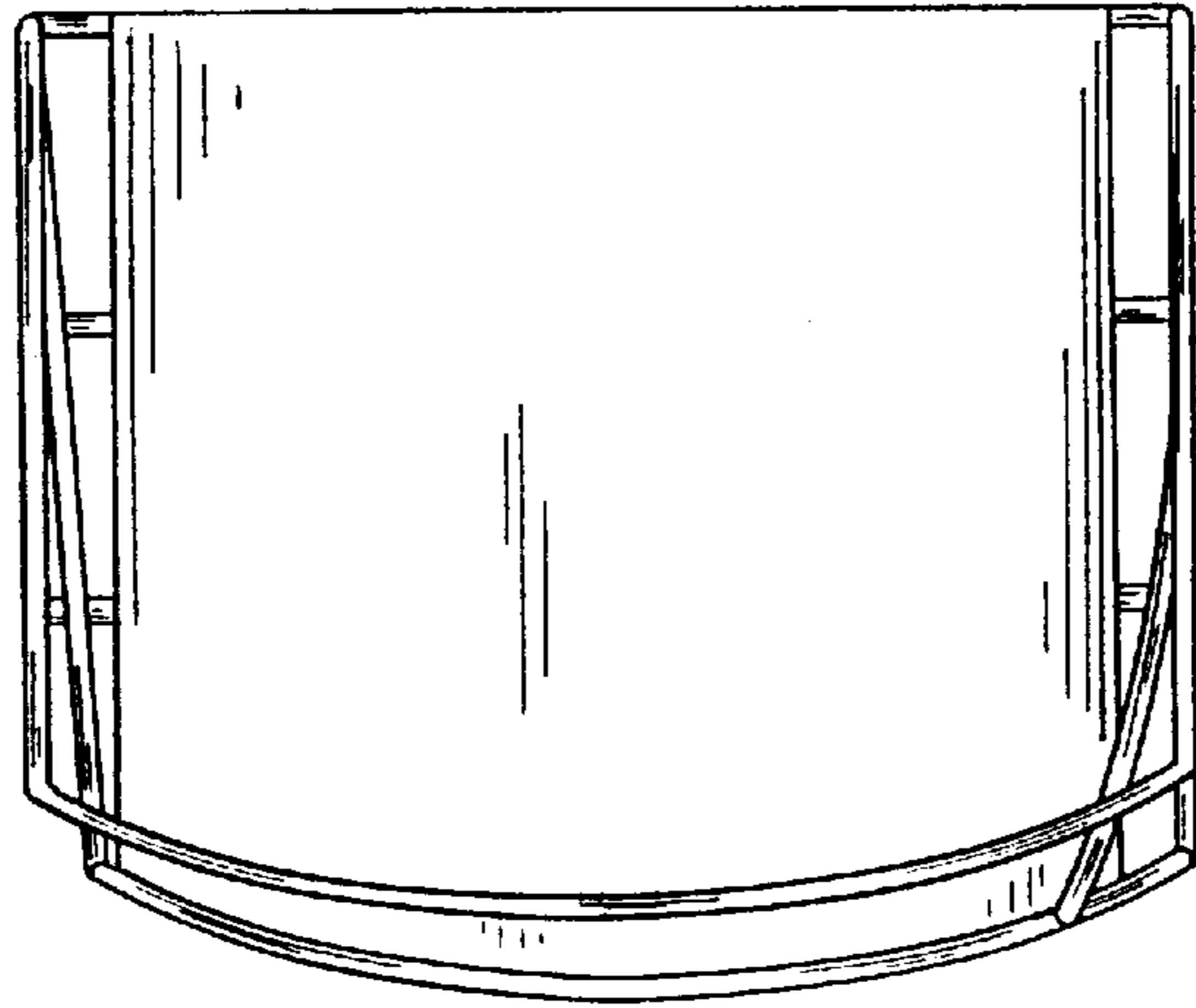


FIG. 4

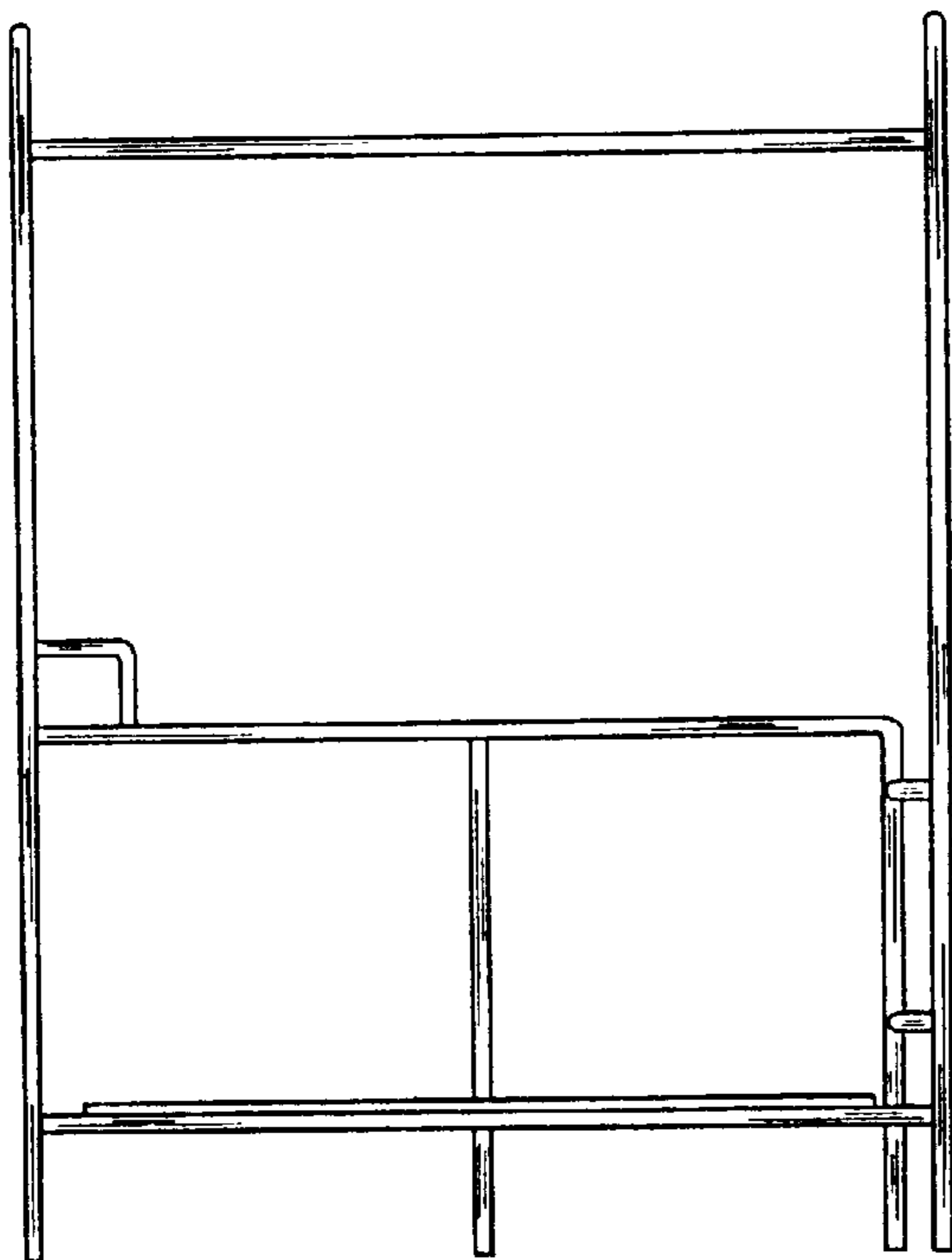


FIG. 5

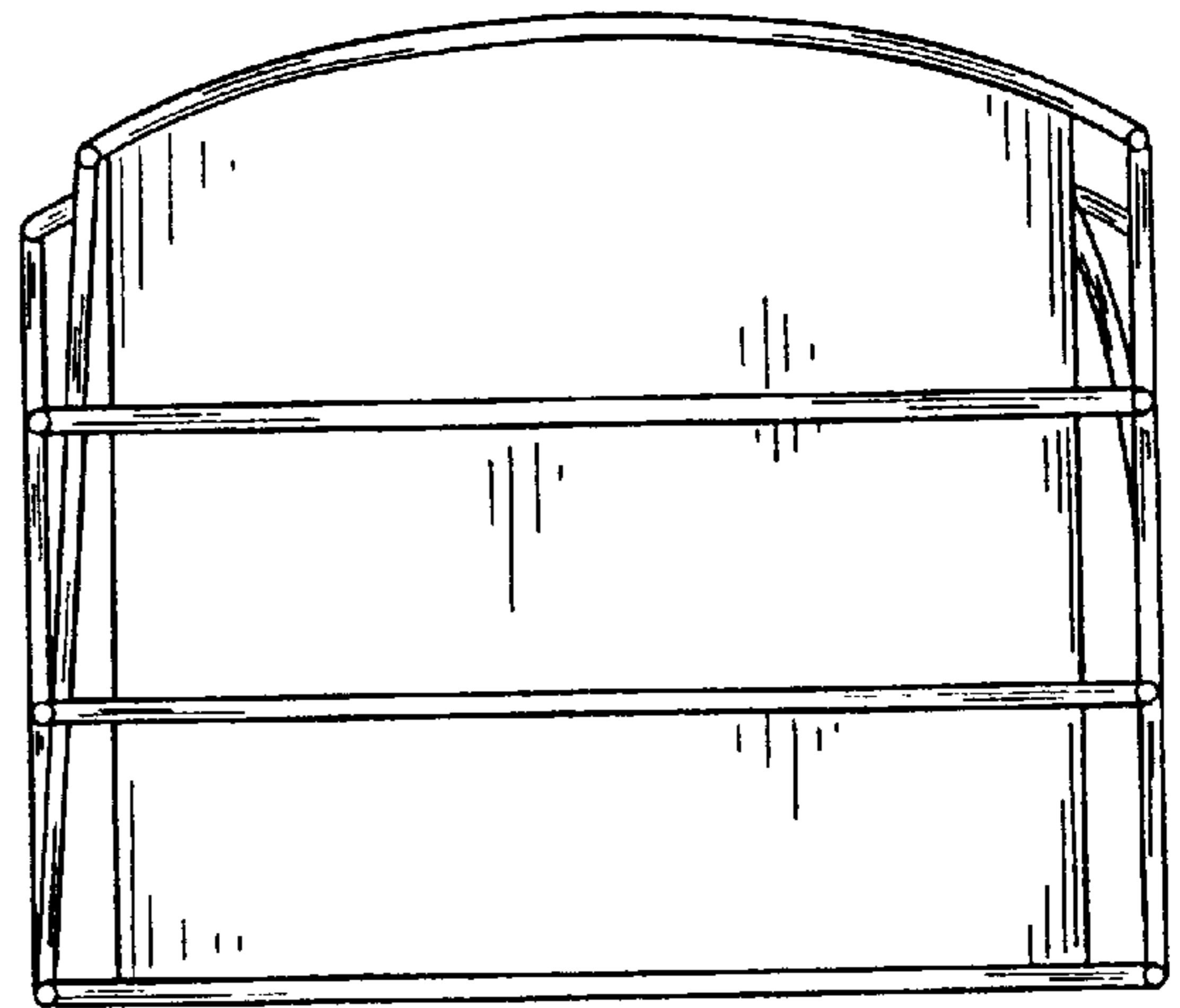


FIG. 6