



US00D400562S

United States Patent [19]

Hicks et al.

[11] Patent Number: **Des. 400,562**

[45] Date of Patent: ****Nov. 3, 1998**

[54] **BANJO MUTE**

[76] Inventors: **David Allen Hicks; Cynthia Ruth Hicks**, both of 215A Wayside Rd., Rome, Ga. 30161

[**] Term: **14 Years**

[21] Appl. No.: **79,514**

[22] Filed: **Nov. 18, 1997**

[51] **LOC (6) Cl.** **17-03**

[52] **U.S. Cl.** **D17/20; 84/273**

[58] **Field of Search** D17/14, 15, 18, D17/19, 20, 99; 84/267, 268, 269, 290, 273, 310, 311, 453

[56] References Cited

U.S. PATENT DOCUMENTS

D. 301,892	6/1989	Jablonski	D17/20
1,708,169	4/1929	Davidson et al.	84/273
1,761,294	3/1930	Forsythe	84/273
1,819,319	8/1931	Pierson et al.	84/273
3,797,355	3/1974	Law	84/273
3,956,962	5/1976	Fields	84/267
3,994,196	11/1976	Hamil	84/273
4,024,788	5/1977	Dunlap	84/267
4,116,107	9/1978	Rickard	84/267
4,173,165	11/1979	Rhodes	84/311

4,449,438	5/1984	Goldner	84/310
4,558,625	12/1985	Guest et al.	84/273
4,667,560	5/1987	Jablonski	84/310
4,753,147	6/1988	Berardi	84/453
4,773,296	9/1988	Bech	84/310
5,347,906	9/1994	Geiger	84/453

OTHER PUBLICATIONS

Targ & Dinner Catalog, p. 120 (Banjo Mute), Apr. 1970.

Primary Examiner—Philip S. Hyder
Assistant Examiner—Adir Aronovich
Attorney, Agent, or Firm—Jones & Askew

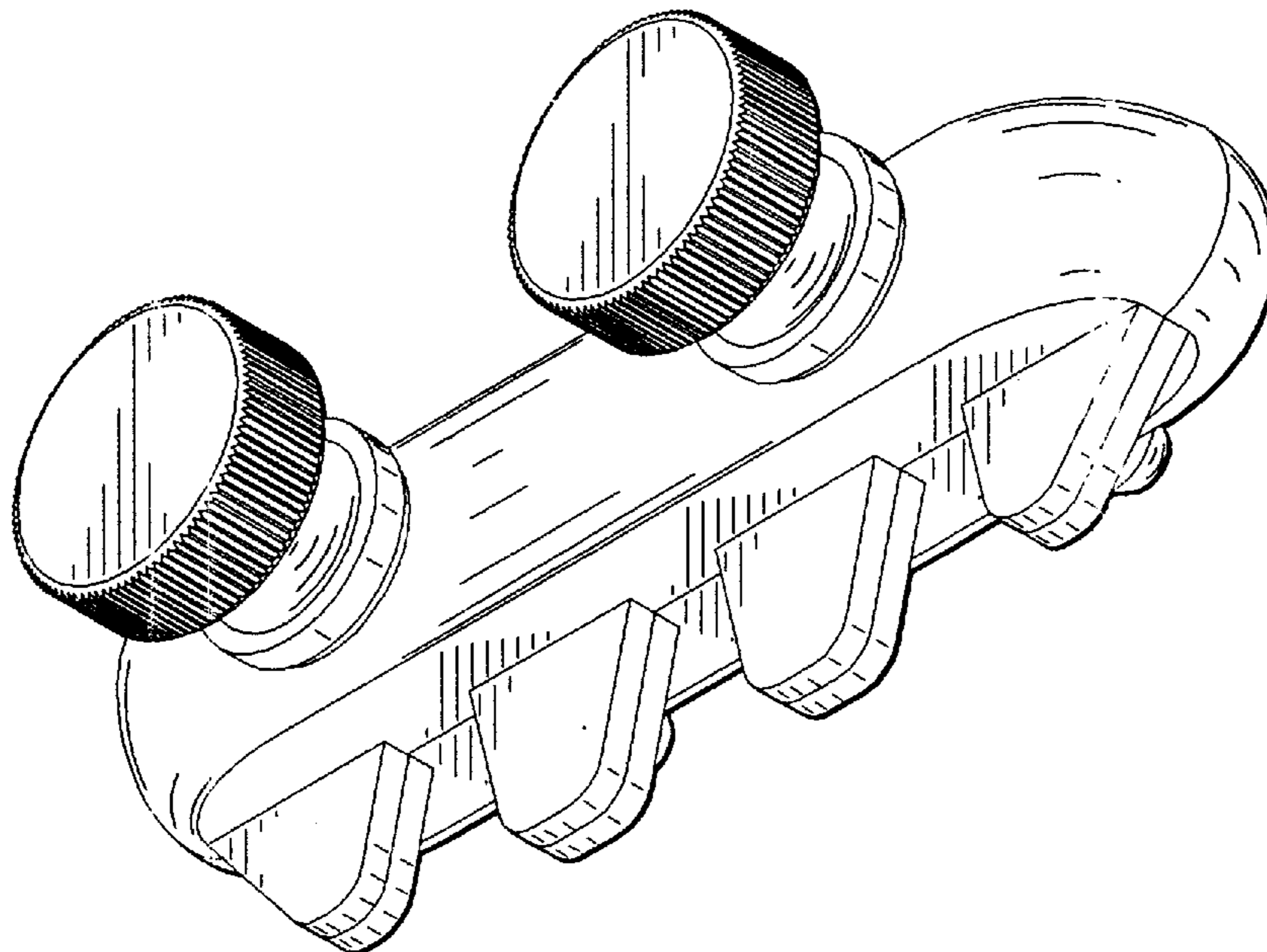
[57] CLAIM

The ornamental design for a banjo mute, as shown, and described.

DESCRIPTION

FIG. 1 is a rear perspective view of a banjo mute showing our new design;
FIG. 2 is a rear elevational view thereof;
FIG. 3 is a left side view thereof, the undisclosed right side view is a mirror image thereof;
FIG. 4 is a front elevational view thereof;
FIG. 5 is a bottom plan view thereof; and,
FIG. 6 is a top plan view thereof.

1 Claim, 2 Drawing Sheets



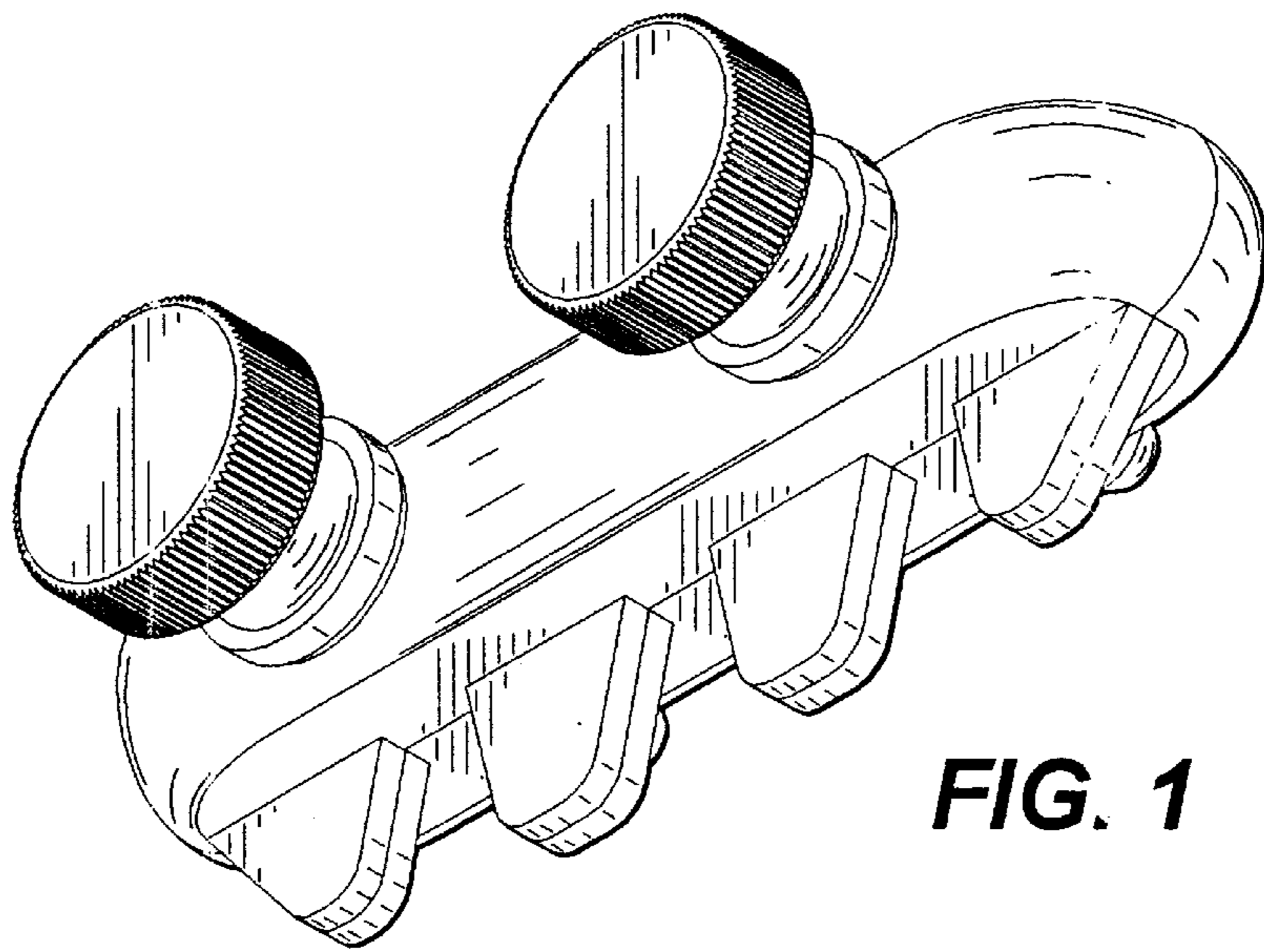


FIG. 1

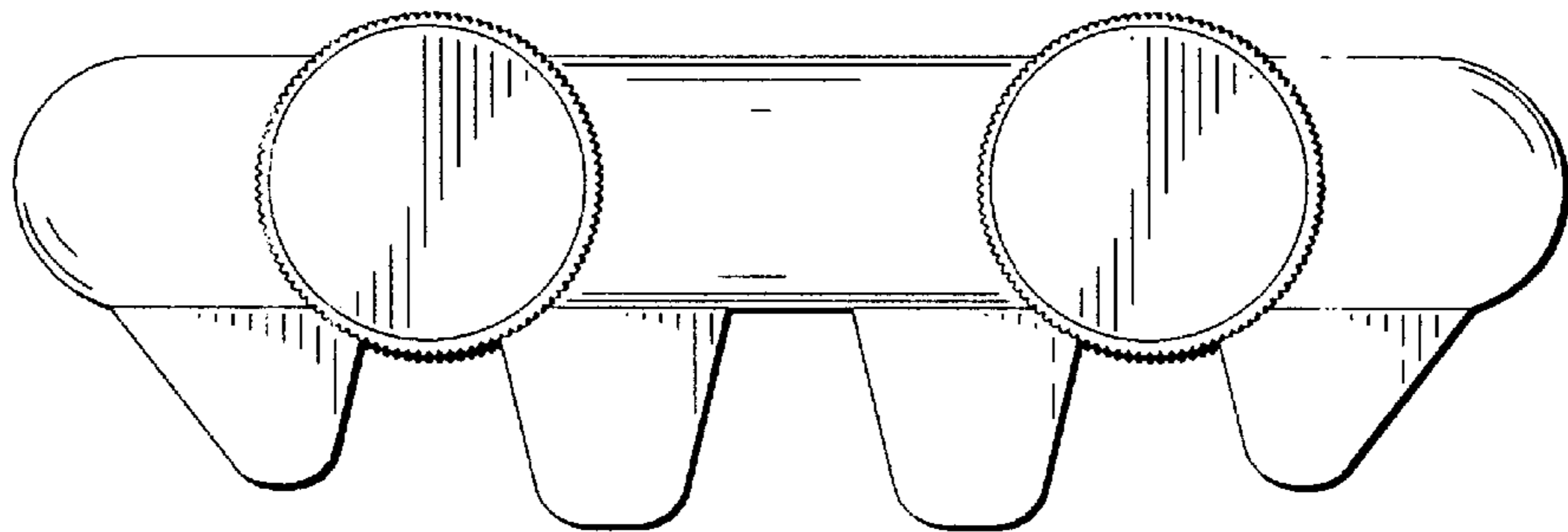


FIG. 2

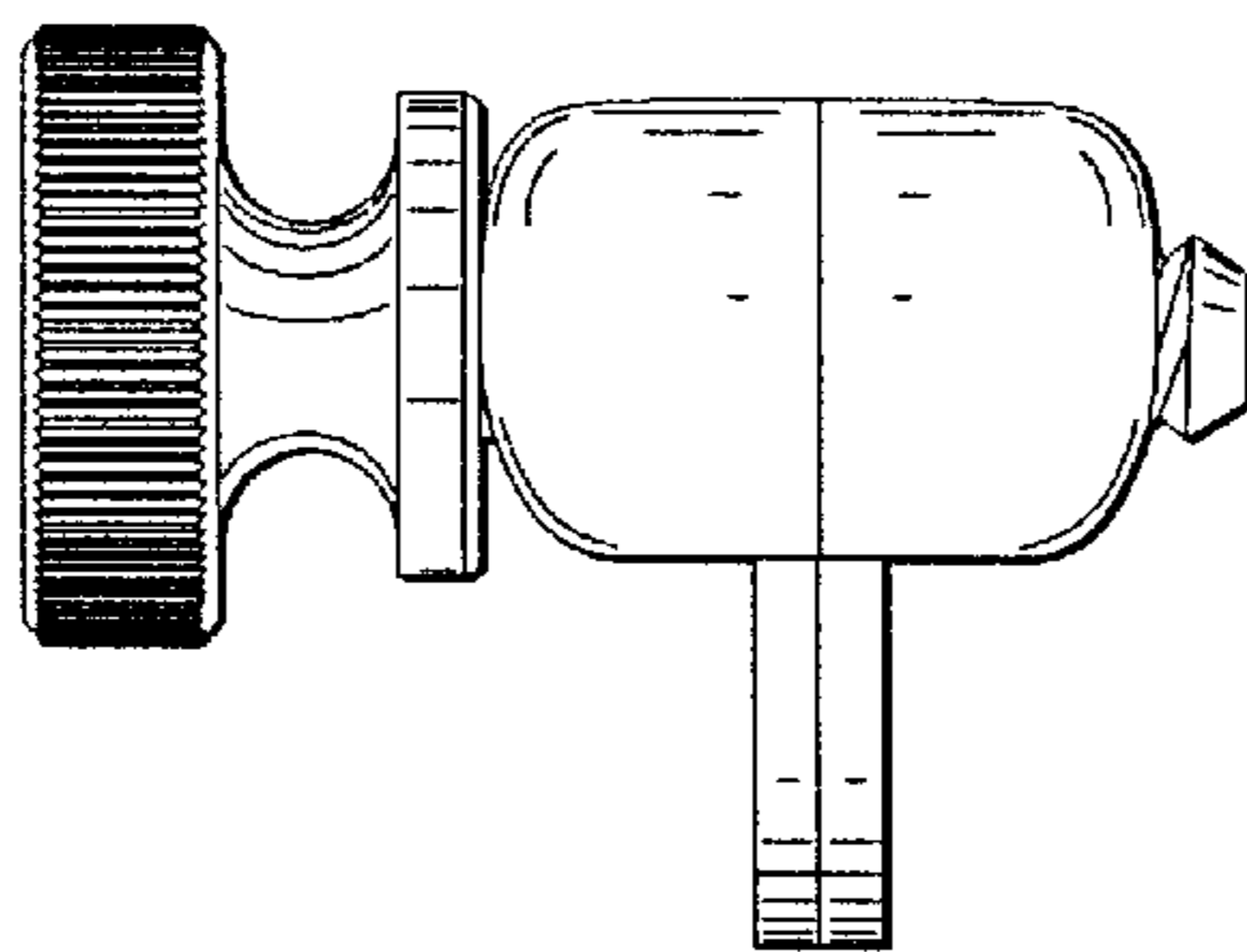


FIG. 3

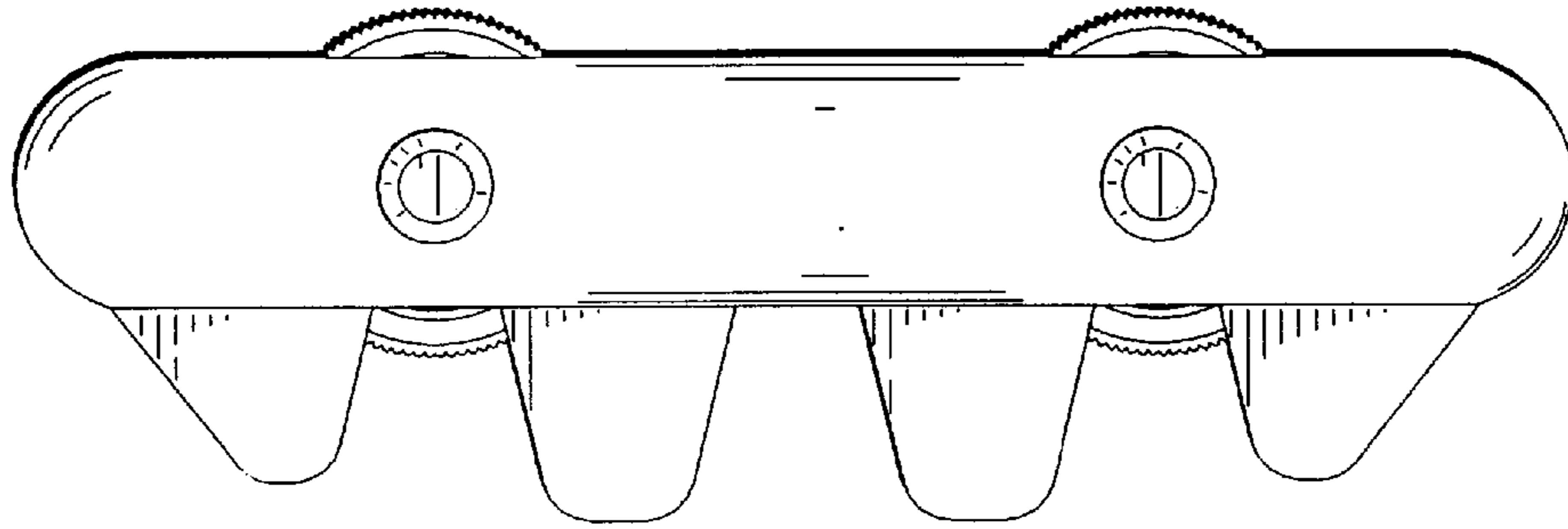


FIG. 4

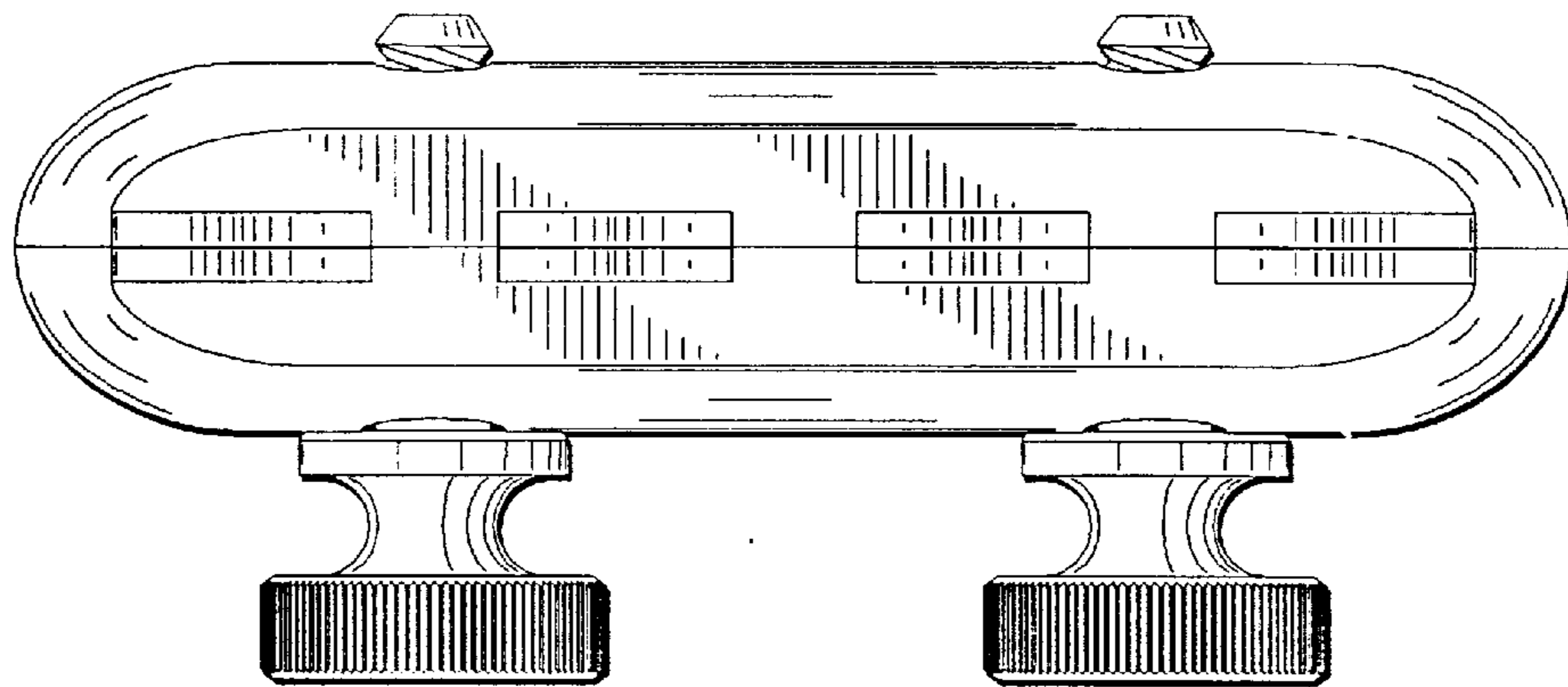


FIG. 5

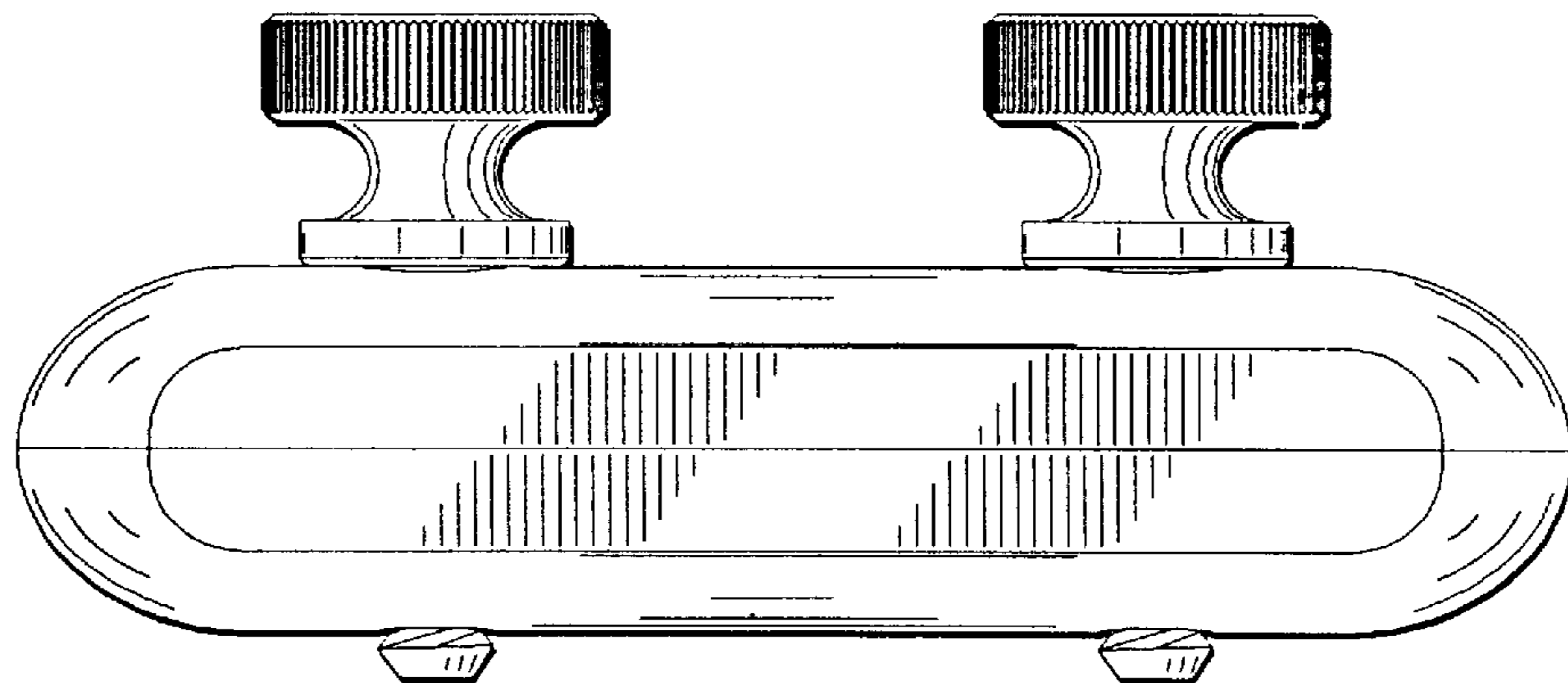


FIG. 6