



US00D400556S

United States Patent [19] Friedman

[11] Patent Number: **Des. 400,556**

[45] Date of Patent: ****Nov. 3, 1998**

[54] **FRAMELESS CLIP-ON WRAPAROUND SUNGLASS UNIT**

[76] Inventor: **Dean Friedman**, 61 Ulster Ave., Atlantic Beach, N.Y. 11509

[**] Term: **14 Years**

[21] Appl. No.: **72,347**

[22] Filed: **Jun. 13, 1997**

[51] **LOC (6) Cl.** **16-06**

[52] **U.S. Cl.** **D16/330; D16/900; D16/304; D16/337**

[58] **Field of Search** D16/300, 101, D16/304, 309, 313-316, 325-330, 900, 337; 351/41, 44, 47-48, 51-52, 57-59, 158; 2/247, 248

[56] **References Cited**

U.S. PATENT DOCUMENTS

- D. 208,070 7/1967 Boxer D16/315
- D. 336,308 6/1993 Shelton .
- D. 350,359 9/1994 Friedman .
- 1,899,905 2/1933 Uhlemann .

- 3,171,134 3/1965 Kennedy 351/47
- 3,298,032 1/1967 Sielisch .
- 3,492,062 1/1970 Hoover, III D16/300
- 3,575,497 4/1971 LeBlanc .
- 3,876,295 4/1975 Loughner .
- 4,977,627 12/1990 Metcalfe 2/447
- 5,026,150 6/1991 Weber 351/57
- 5,100,224 3/1992 Terrasi 351/47
- 5,164,749 11/1992 Shelton .
- 5,258,786 11/1993 Penrod 351/44

Primary Examiner—Raphael Barkai
Attorney, Agent, or Firm—Robert L. Epstein, Esq.; Harold James, Esq.; James & Franklin, LLP

[57] **CLAIM**

The ornamental design for a frameless clip-on wraparound sunglass unit, as shown and described.

DESCRIPTION

FIG. 1 is an isometric view of the front and one side of the present invention;
FIG. 2 is a rear view of the design shown in FIG. 1;
FIG. 3 is a bottom view of the design shown in FIG. 1; and,
FIG. 4 is a side view of the design shown in FIG. 1.

1 Claim, 2 Drawing Sheets

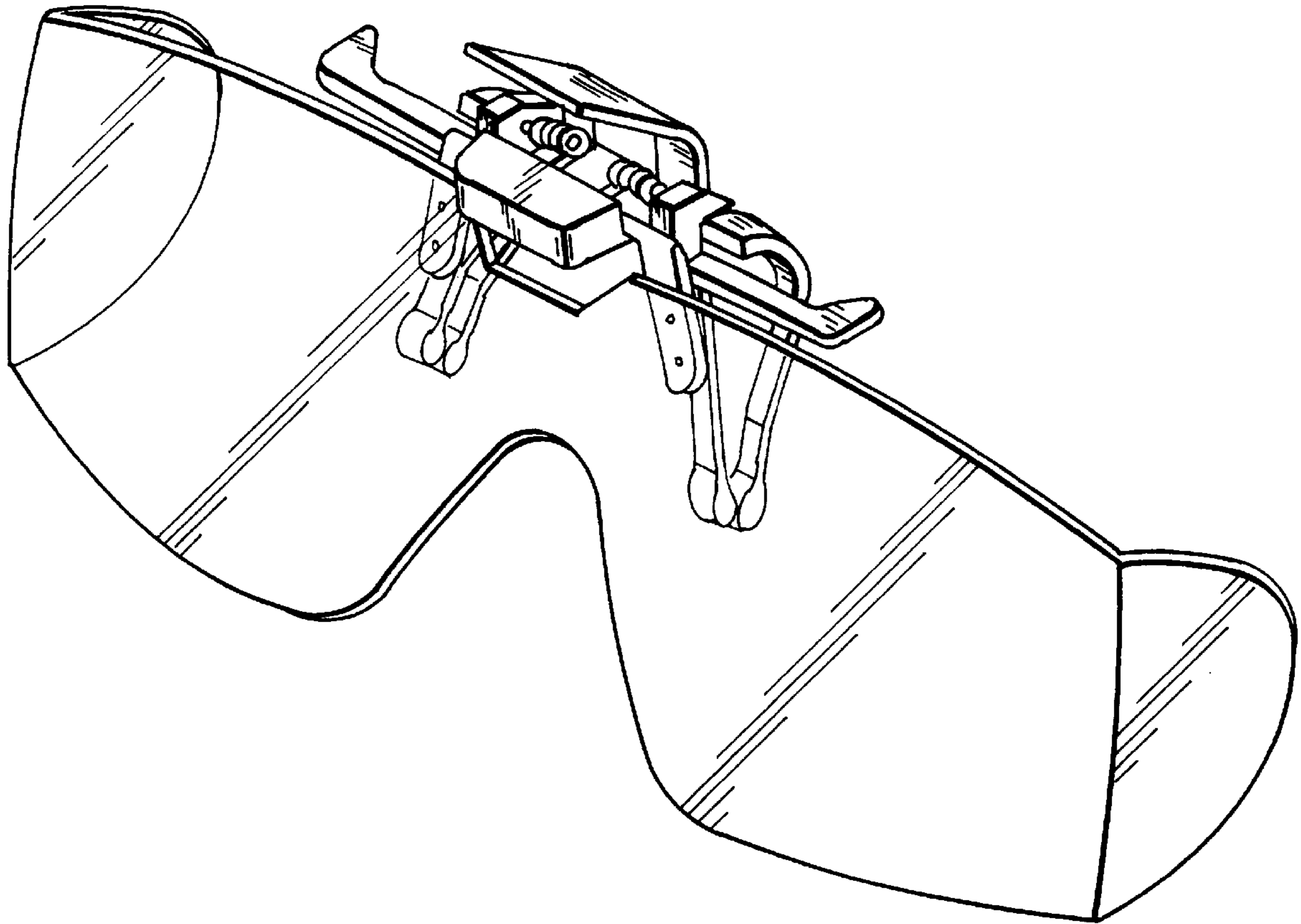


FIG. 1

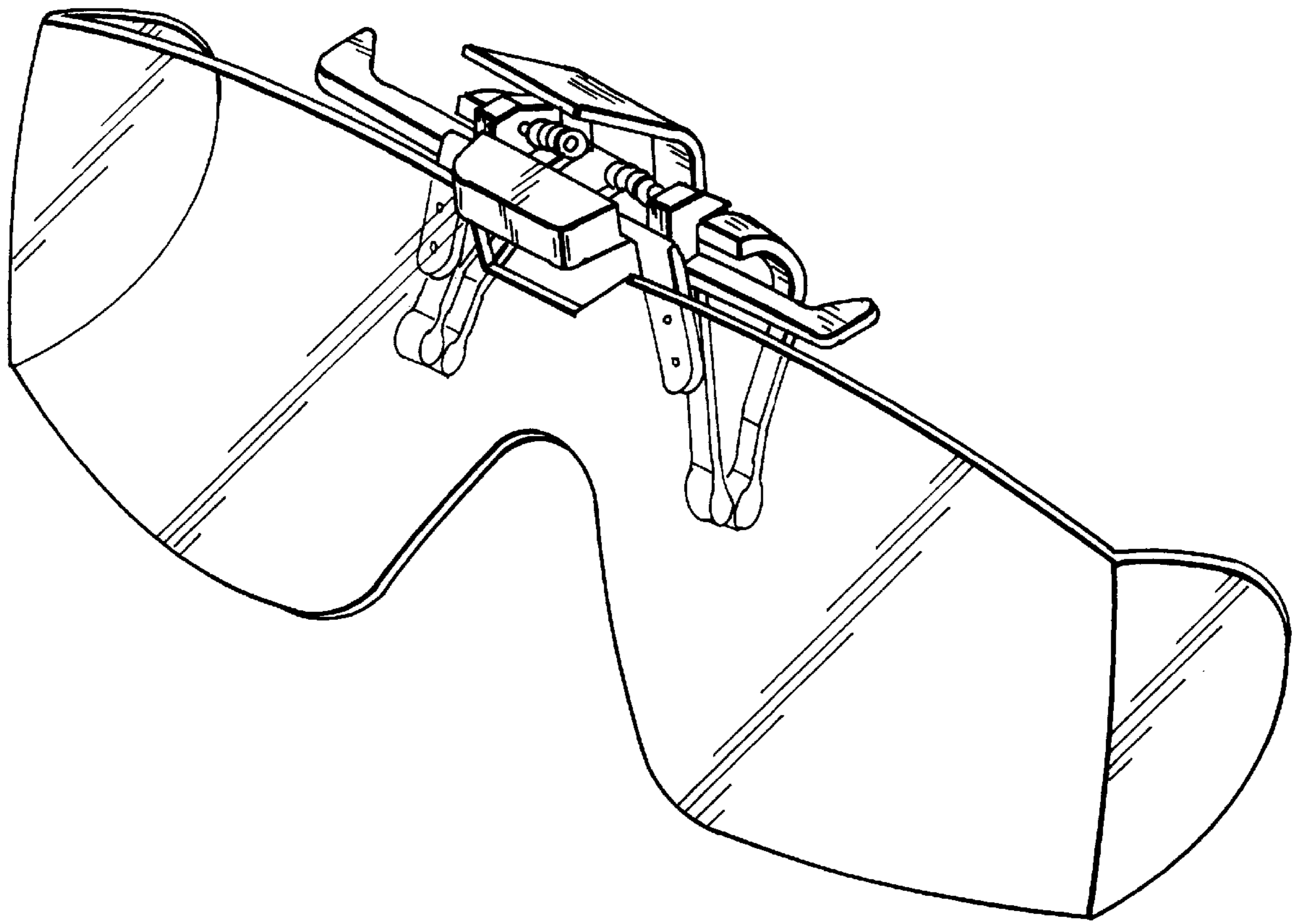


FIG. 2

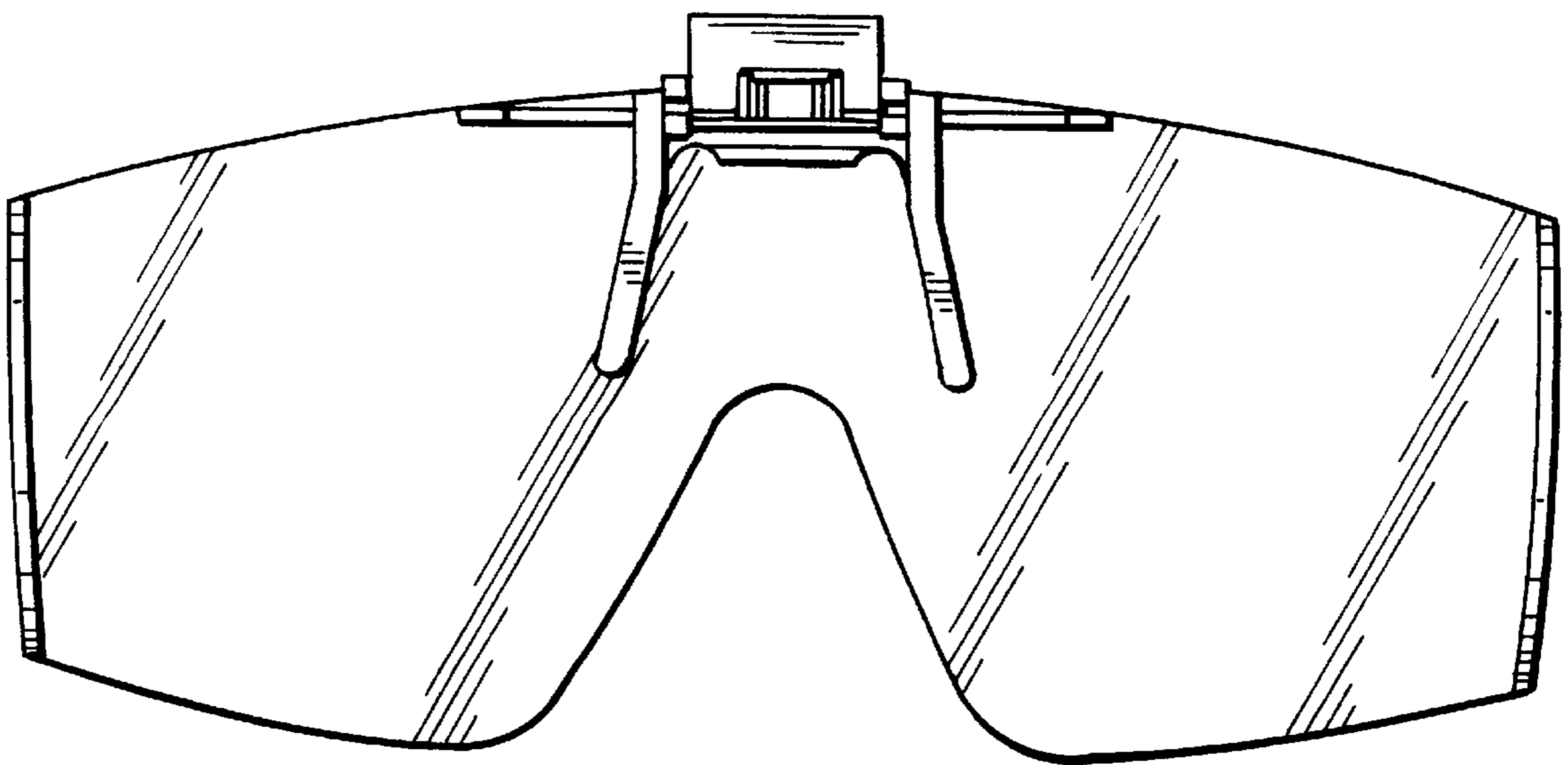


FIG. 3

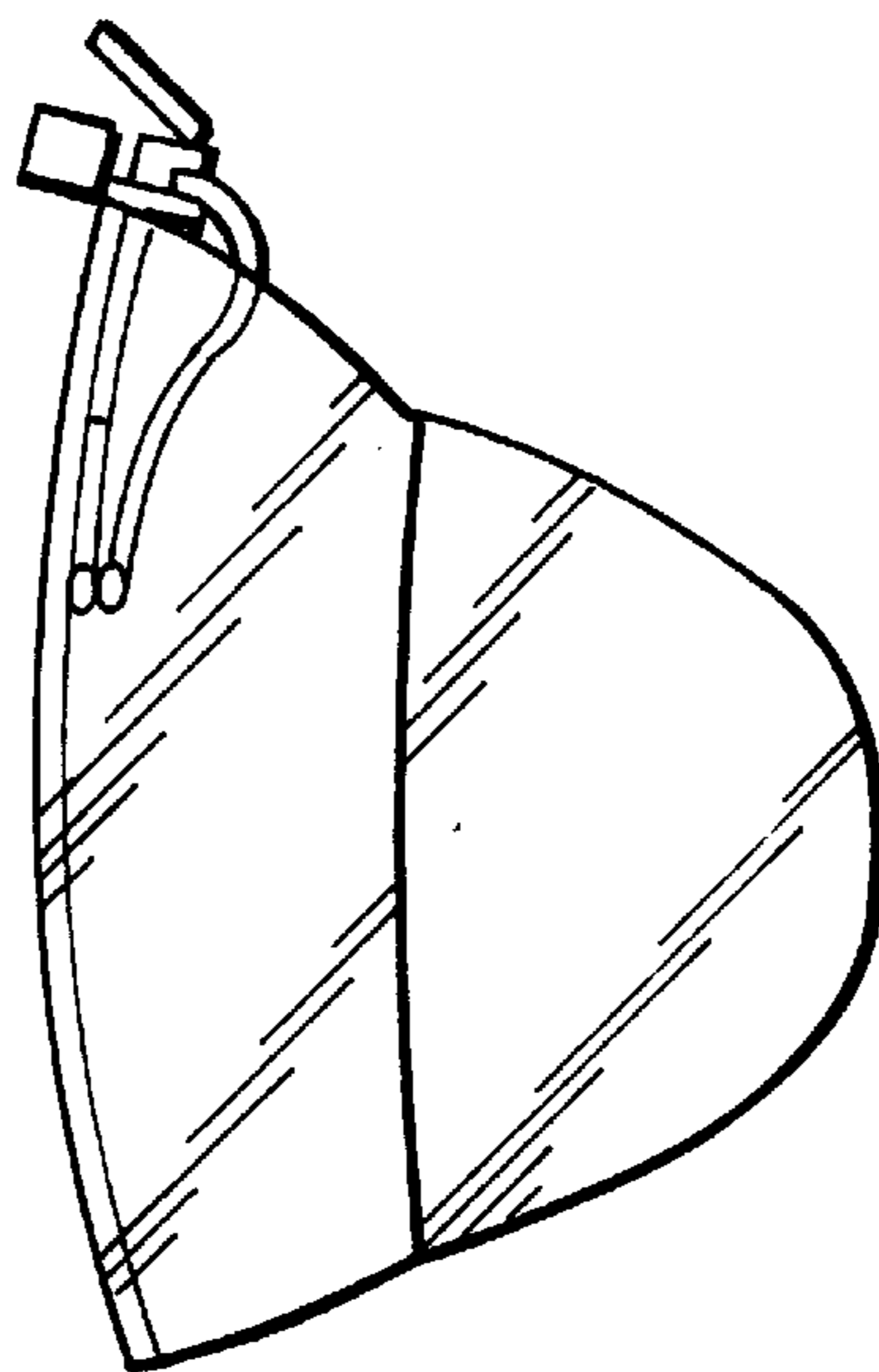
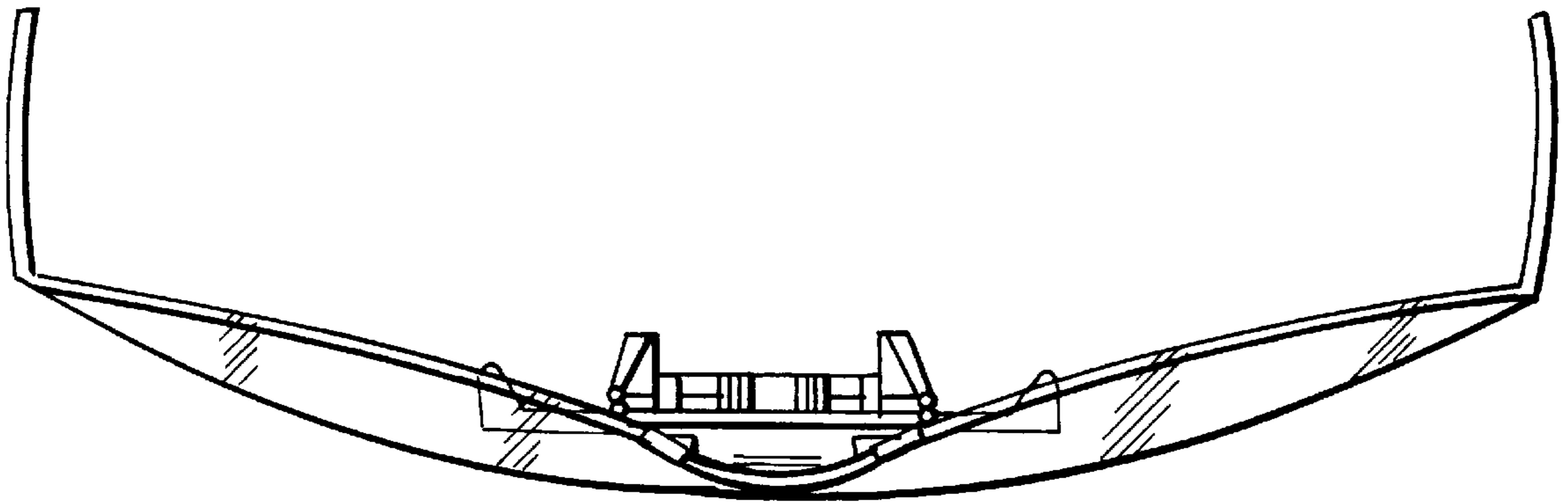


FIG. 4