



US00D400554S

United States Patent [19] Wang

[11] Patent Number: **Des. 400,554**

[45] Date of Patent: *****Nov. 3, 1998**

[54] **COMBINED SUNGLASSES AND VISOR**

[76] Inventor: **Wen-Te Wang**, No. 246-1, Kang-Kou, Kang-Kou Tsun, An-Ting Hsiang, Tainan Hsien, Taiwan

[*] Notice: The term of this patent shall not extend beyond the expiration date of Pat. No. D. 374,882.

[**] Term: **14 Years**

[21] Appl. No.: **77,552**

[22] Filed: **Oct. 3, 1997**

[51] **LOC (6) Cl.** **16-06**

[52] **U.S. Cl.** **D16/310; D16/306**

[58] **Field of Search** D16/101, 300, D16/304, 311-315, 317-318, 325-329, 339, 340; 2/428, 430, 432, 436, 444, 448, 449; 351/41, 44, 47-48, 51-52, 57-58, 61, 66, 111, 157-158, 171

[56] **References Cited**

U.S. PATENT DOCUMENTS

- D. 210,424 3/1968 Mitchell D16/310
- D. 293,450 12/1987 Jannard D16/314

- D. 299,767 2/1989 Hisin D16/312
- D. 322,081 12/1991 Longsdorf D16/314
- D. 327,284 6/1992 Simioni D16/314
- D. 364,885 12/1995 Chang D16/304
- 5,307,094 4/1994 Gonzalez 351/158
- 5,335,025 8/1994 Wang 351/58
- 5,390,369 2/1995 Tubin 2/432

OTHER PUBLICATIONS

The Disney Catalog, p. 8 cap at lower left of page 1989.

Primary Examiner—Raphael Barkai
Attorney, Agent, or Firm—Rosenberg Klein & Bilker

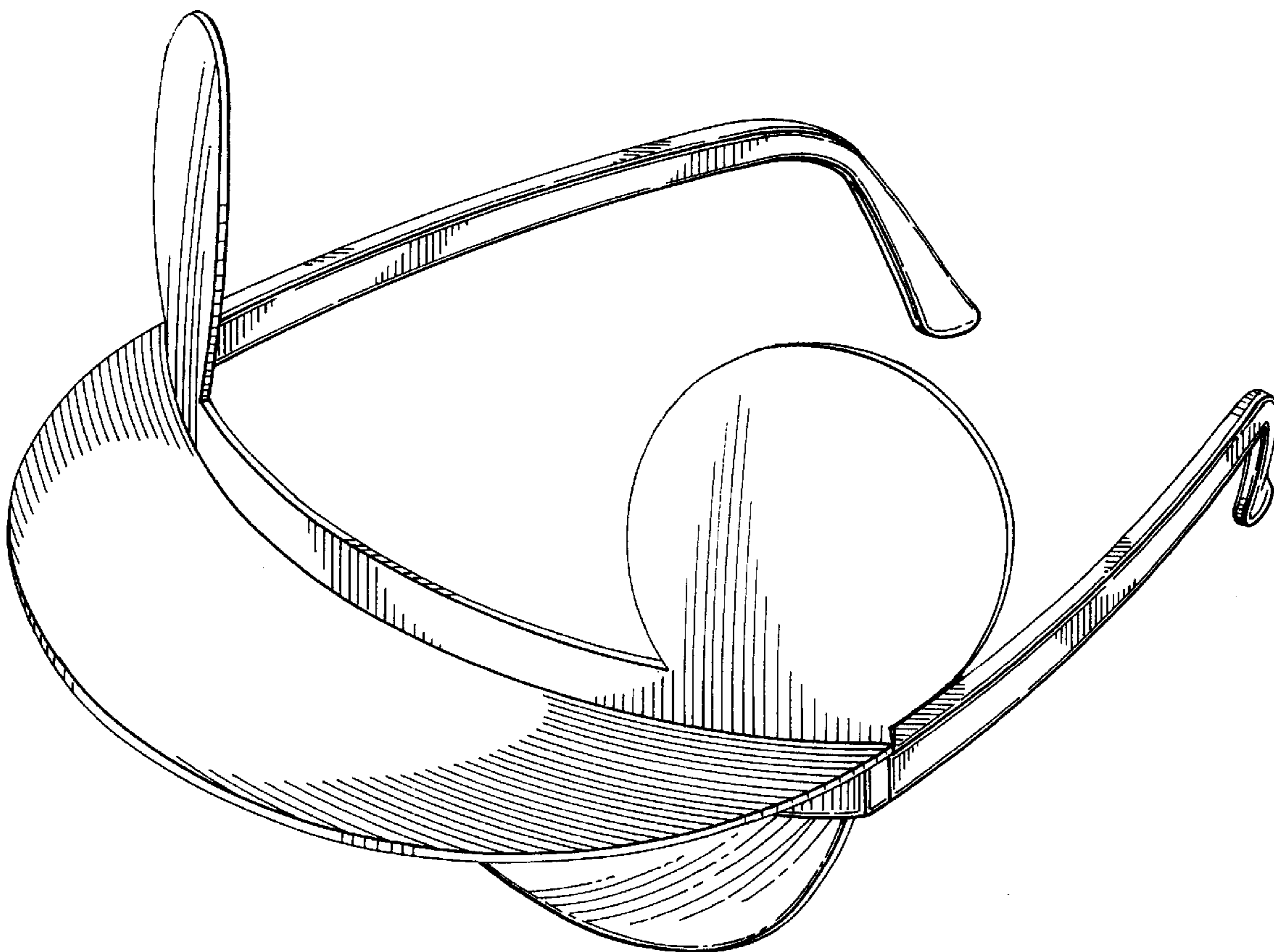
[57] **CLAIM**

The ornamental design for a combined sunglasses and visor, as shown and described.

DESCRIPTION

FIG. 1 is a perspective view of a combined sunglasses and visor showing our new design;
 FIG. 2 is a front elevational view thereof;
 FIG. 3 is a rear elevational view thereof;
 FIG. 4 is a left side elevational view thereof;
 FIG. 5 is a right side elevational view thereof;
 FIG. 6 is a top plan view thereof; and,
 FIG. 7 is a bottom plan view thereof.

1 Claim, 5 Drawing Sheets



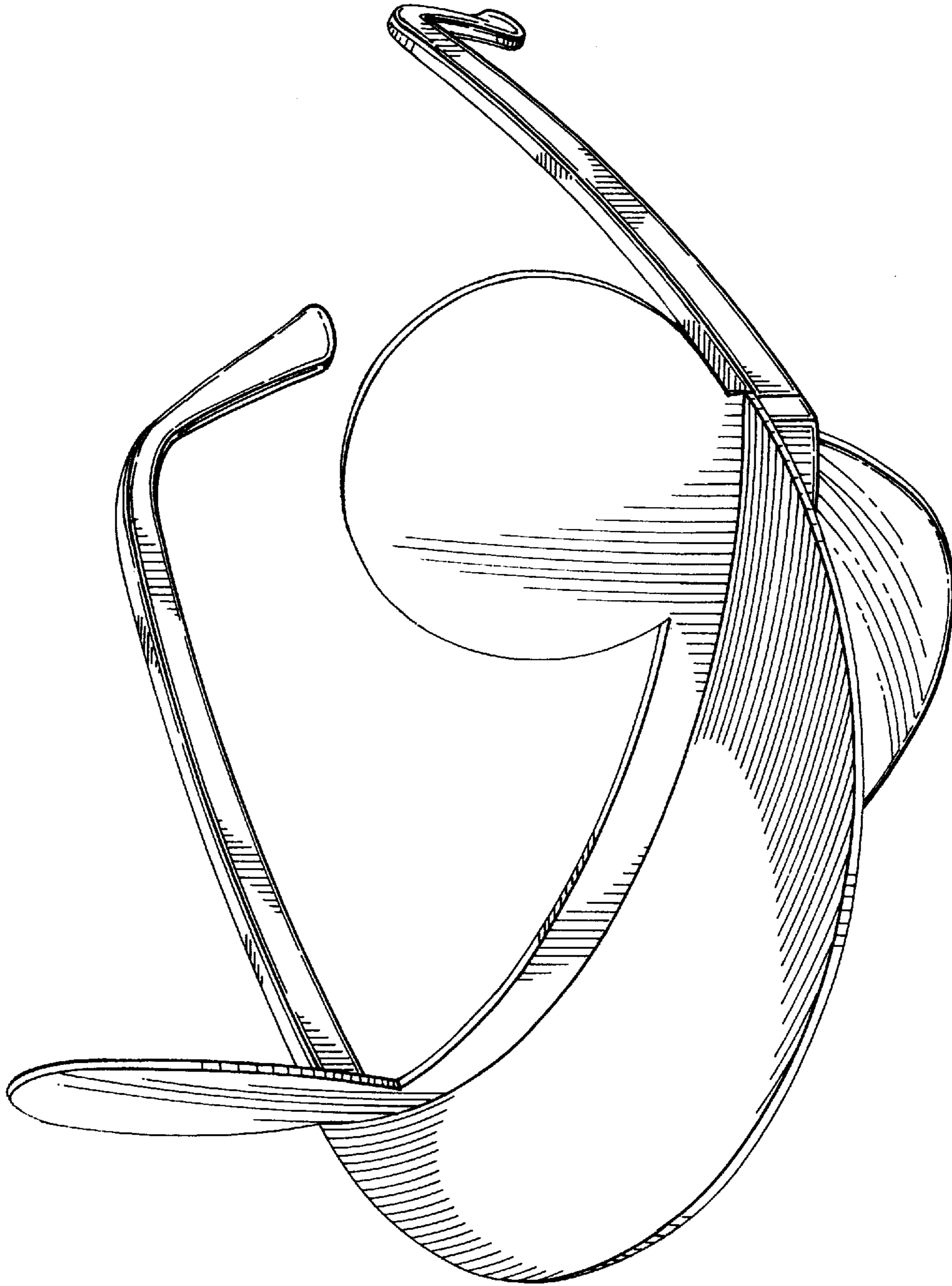


FIG. 1

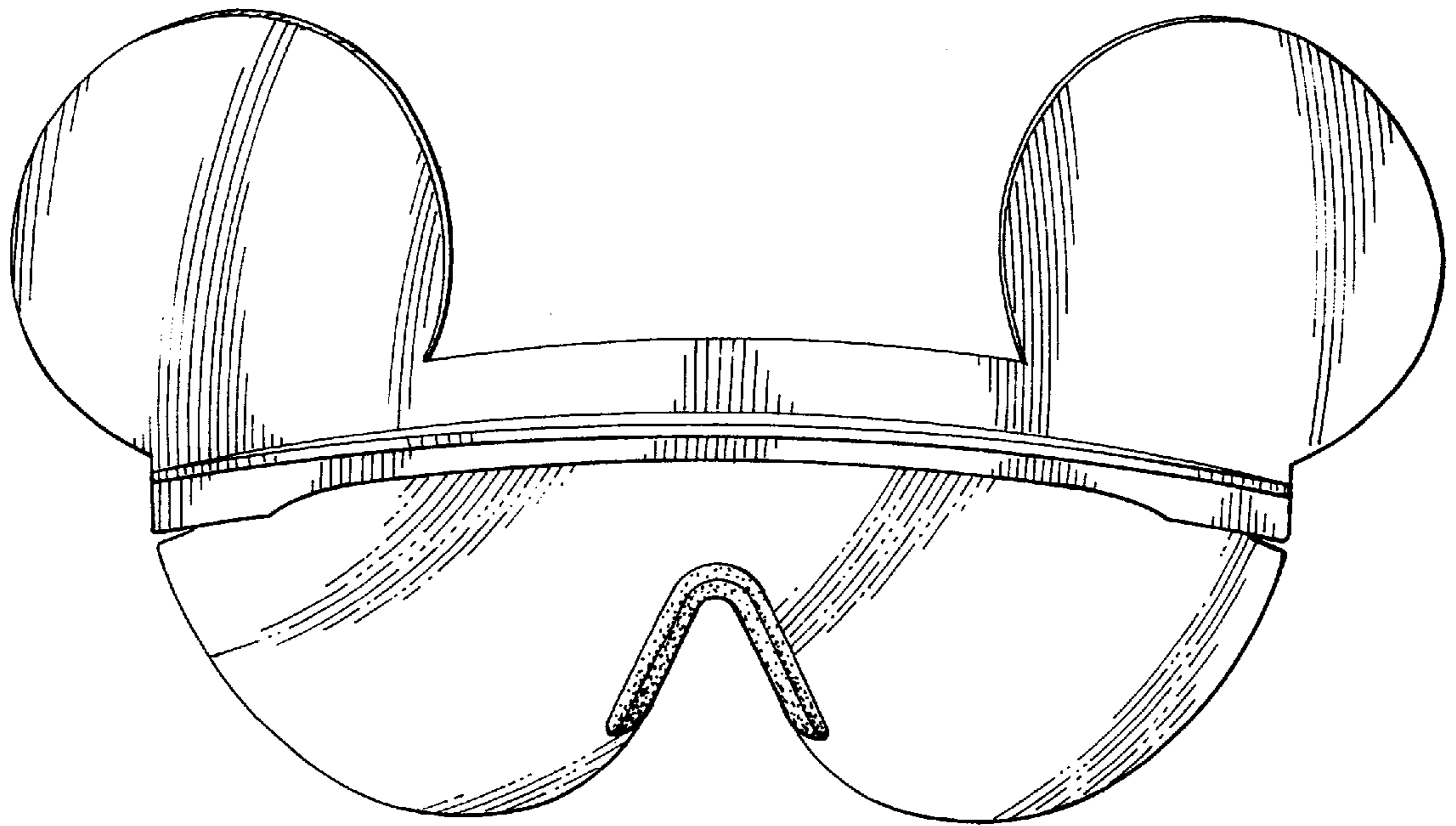


FIG. 2

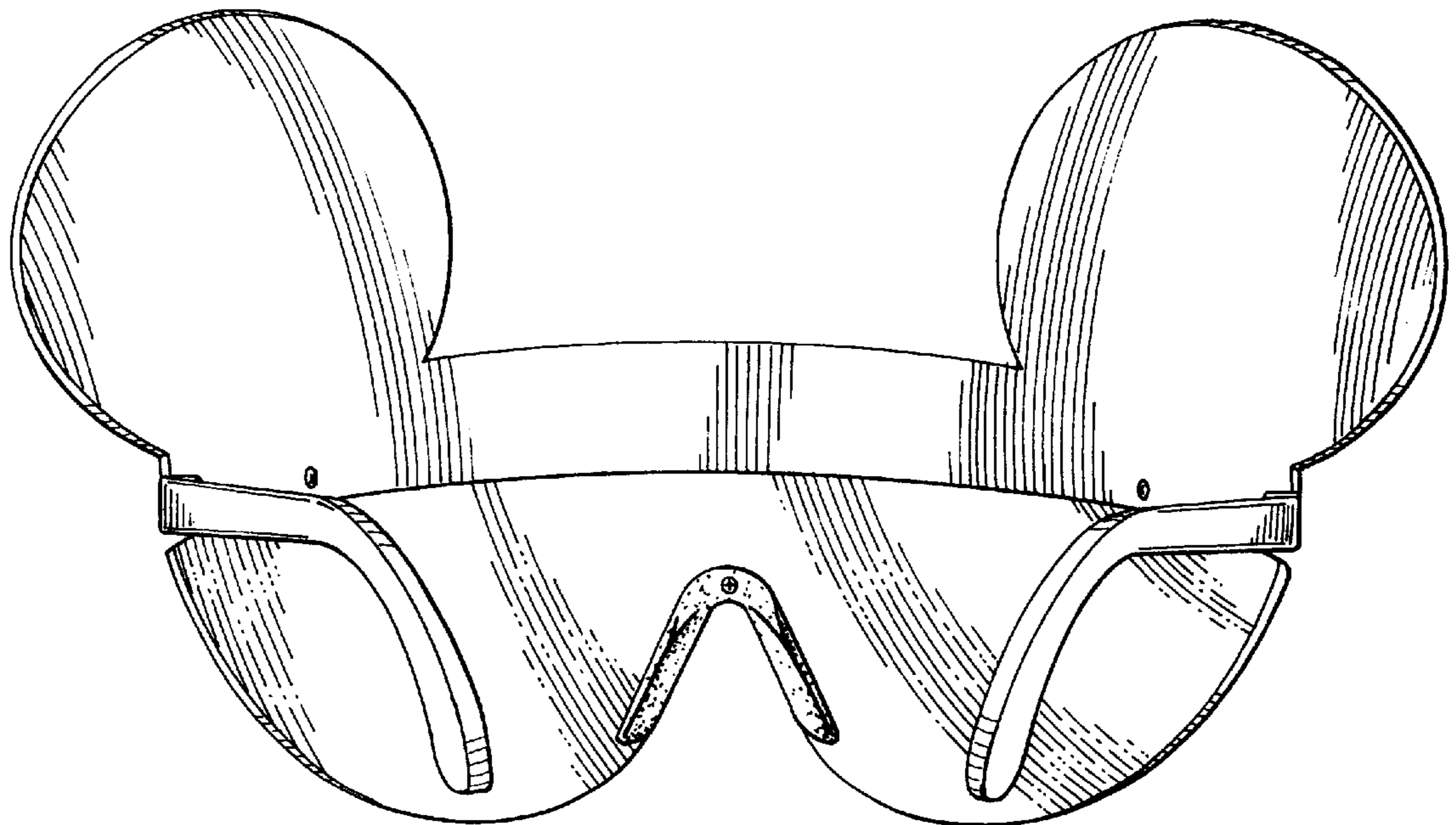


FIG. 3

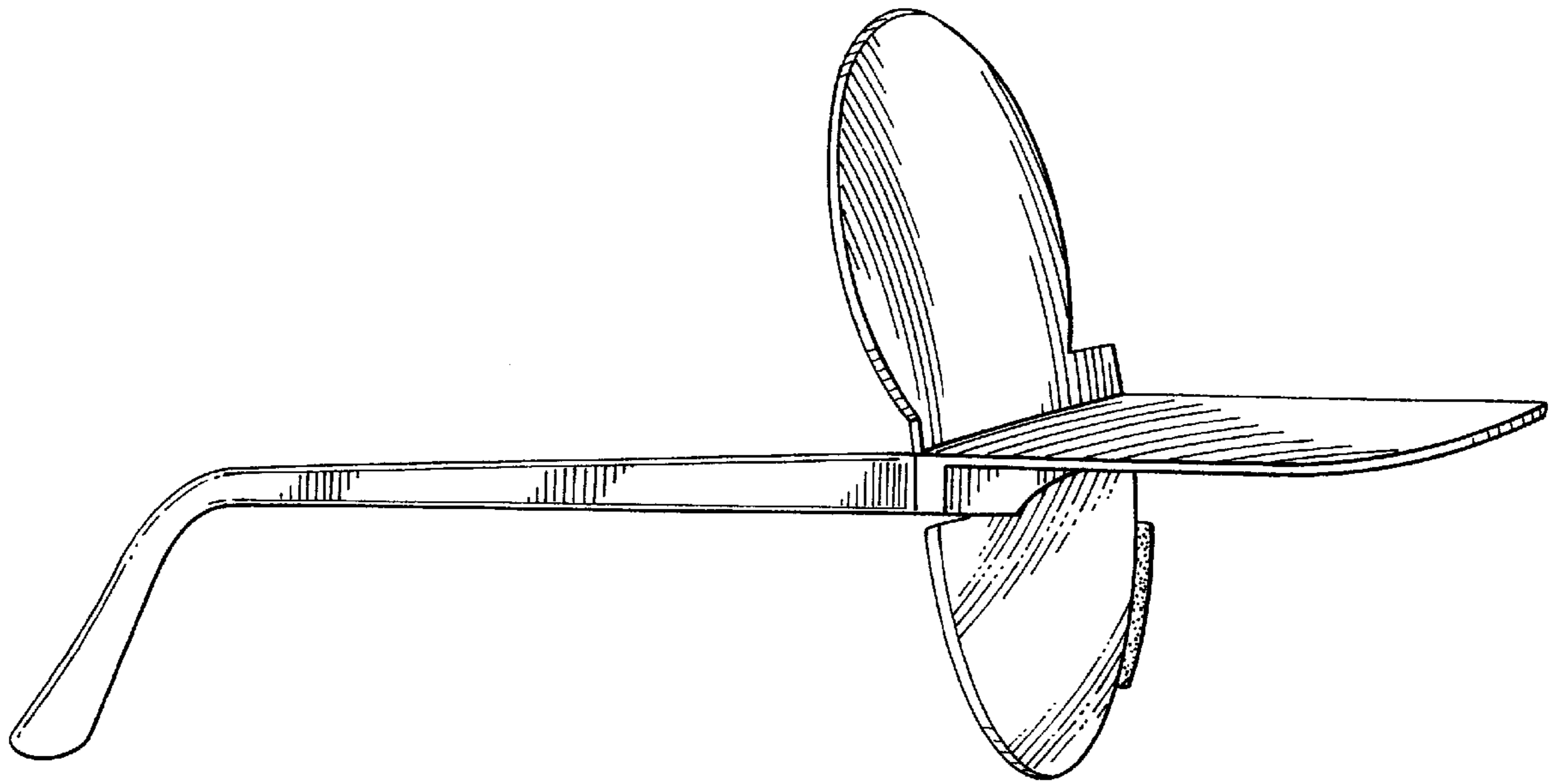


FIG. 4

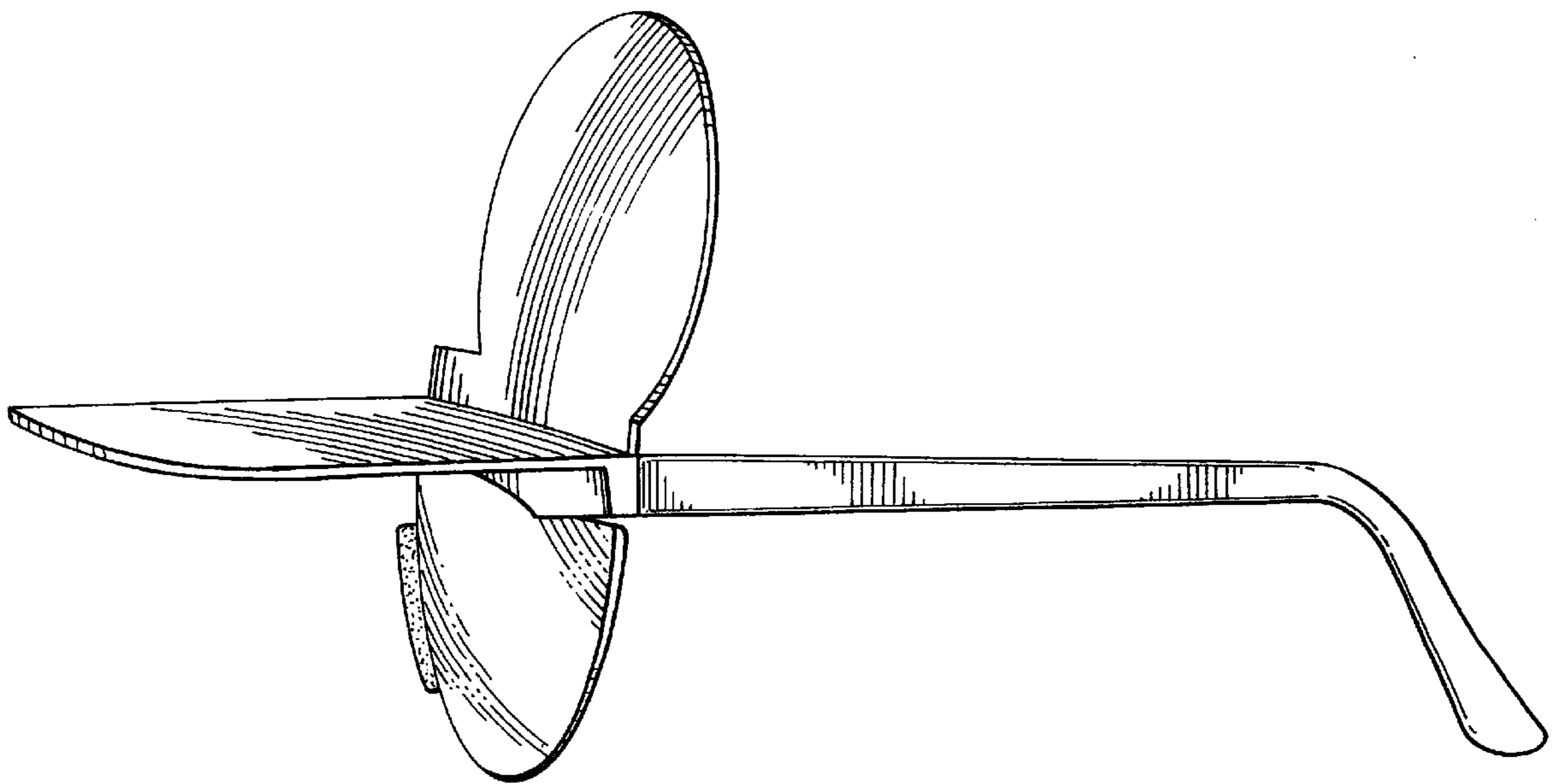
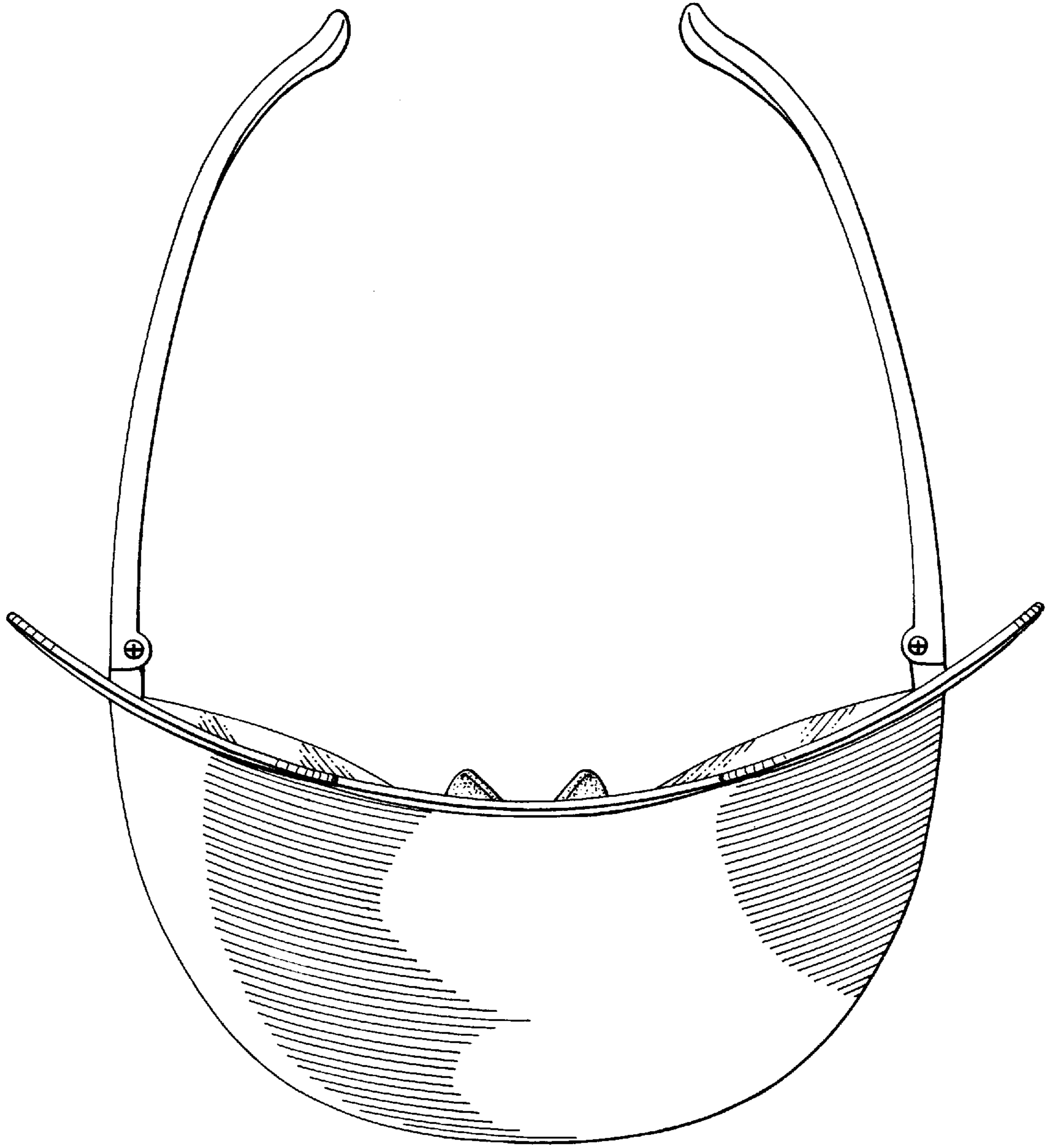


FIG. 5



F I G . 6

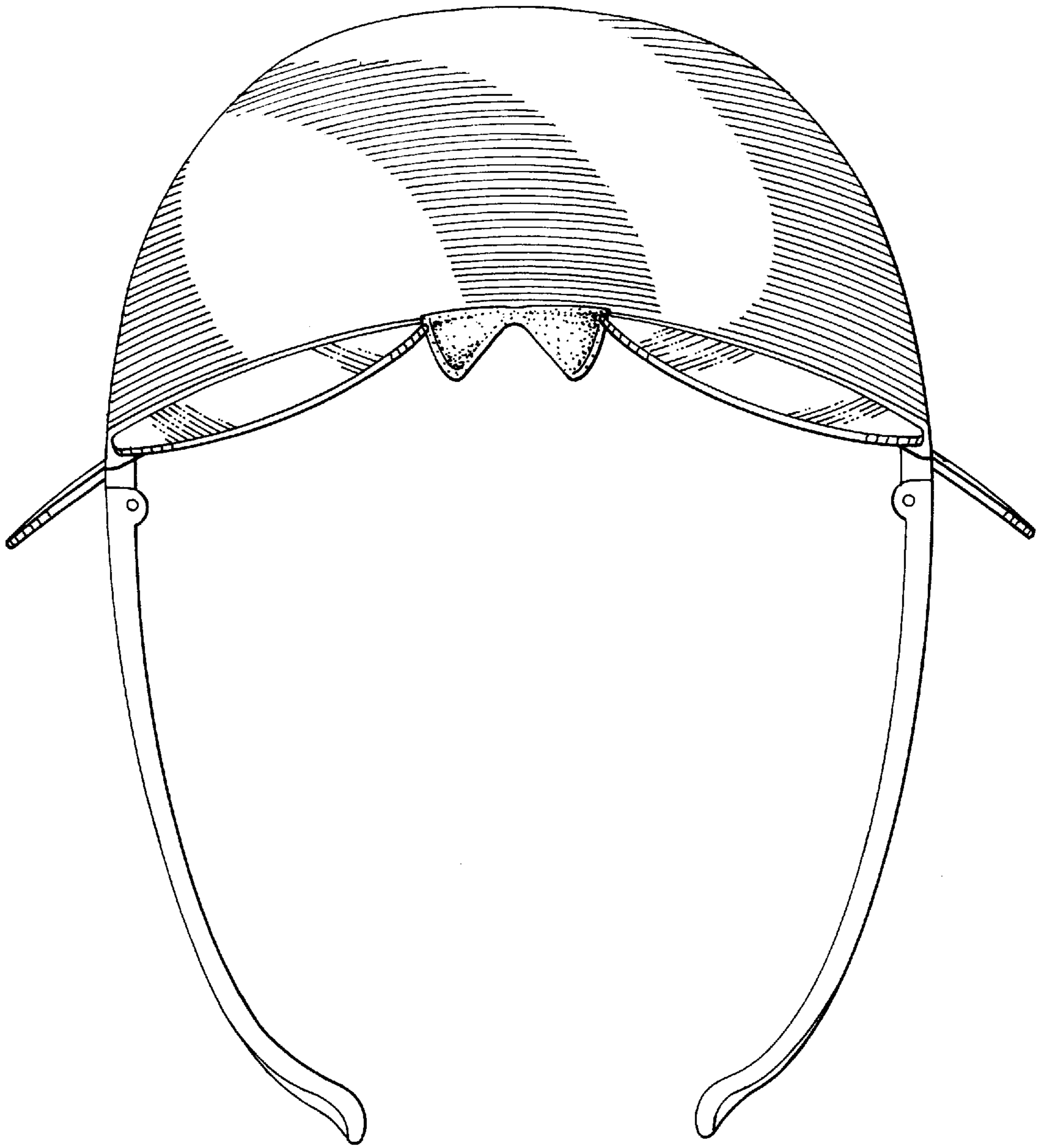


FIG. 7