



US00D400552S

United States Patent [19]

Becker et al.

[11] Patent Number: **Des. 400,552**

[45] Date of Patent: ****Nov. 3, 1998**

[54] CAMERA

[75] Inventors: **Arthur Becker**, New York, N.Y.; **Jan Szostak**, Lincroft, N.J.; **Claudio Santiago Ribeiro**, Brooklyn, N.Y.

[73] Assignee: **Bnox, Inc.**, N.Y.

[**] Term: **14 Years**

[21] Appl. No.: **72,243**

[22] Filed: **Jun. 10, 1997**

[51] **LOC (6) Cl.** **16-01**

[52] **U.S. Cl.** **D16/218; D16/209**

[58] **Field of Search** **D16/200-205, D16/208, 209, 216-218; 396/535-543**

[56] References Cited

U.S. PATENT DOCUMENTS

D. 163,458	5/1951	Ingenbrand	D16/218
D. 257,850	1/1981	Matsumoto	D16/218
D. 342,541	12/1993	McBride et al.	D16/209
3,169,708	2/1965	D'Incerti	D16/209

OTHER PUBLICATIONS

Popular Photography, p. 70 (Konica's Z-up 80 camera) May 1988.

Primary Examiner—Sandra L. Morris
Assistant Examiner—Adir Aronovich
Attorney, Agent, or Firm—Abelman Frayne & Schwab

[57] CLAIM

The ornamental design for a camera, as shown and described.

DESCRIPTION

FIG. 1 is a top view of our new design;
FIG. 2 is a front view thereof;
FIG. 3 is a right side view thereof;
FIG. 4 is a rear view thereof;
FIG. 5 is a left side view thereof;
FIG. 6 is a bottom view thereof;
FIG. 7 is a front perspective view thereof; and,
FIG. 8 is a rear perspective view thereof.

1 Claim, 4 Drawing Sheets

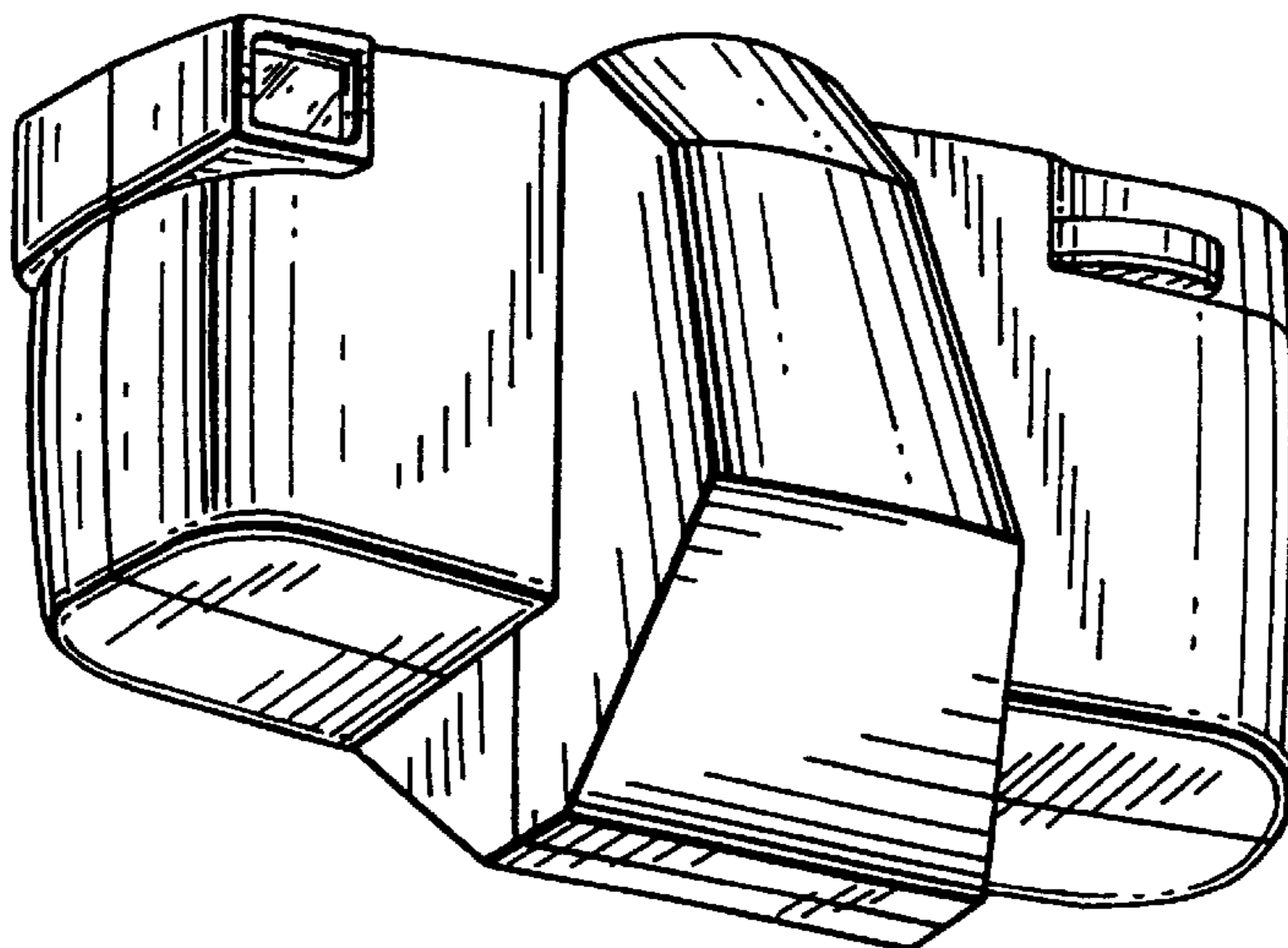
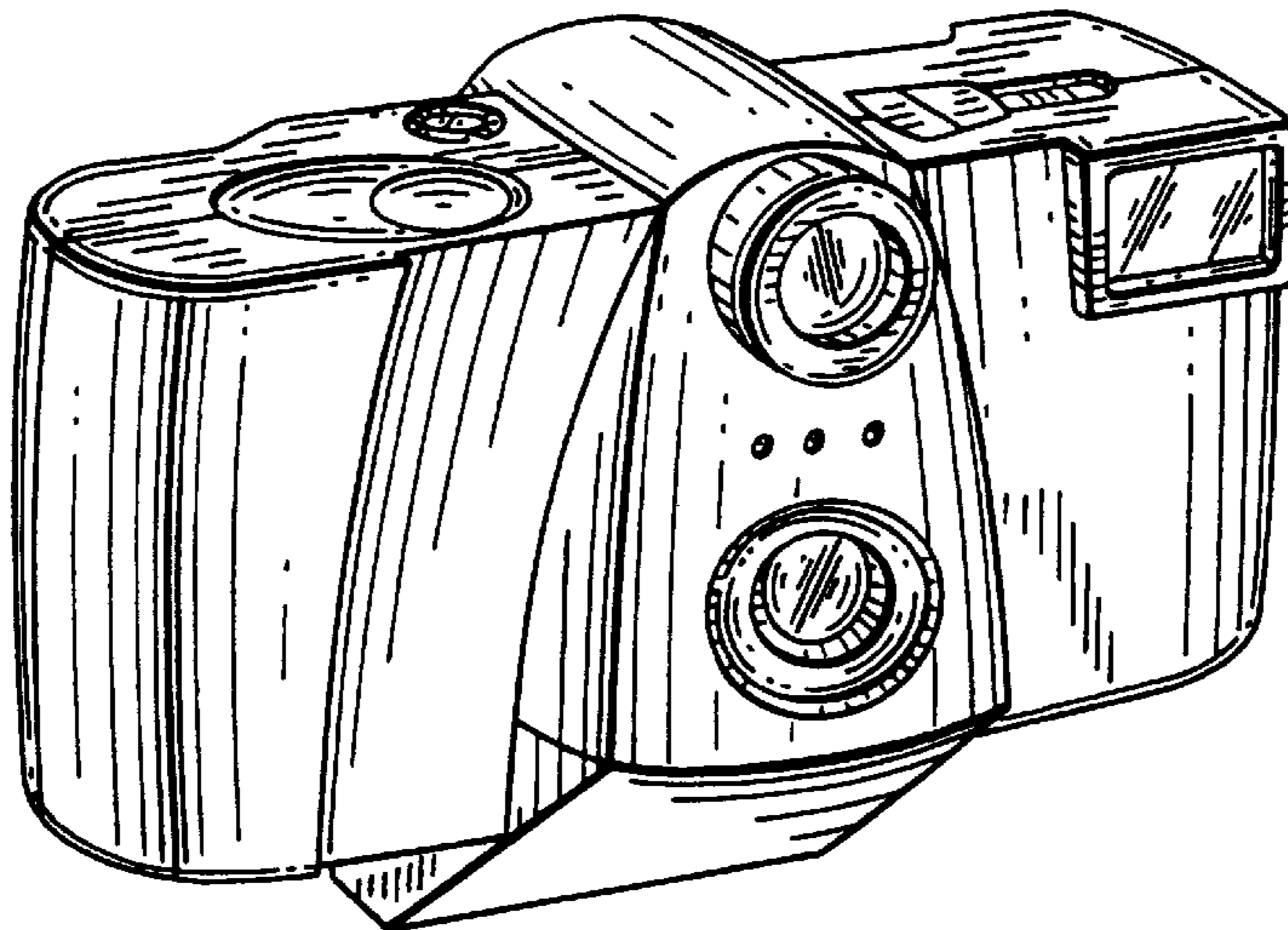


FIG. 1

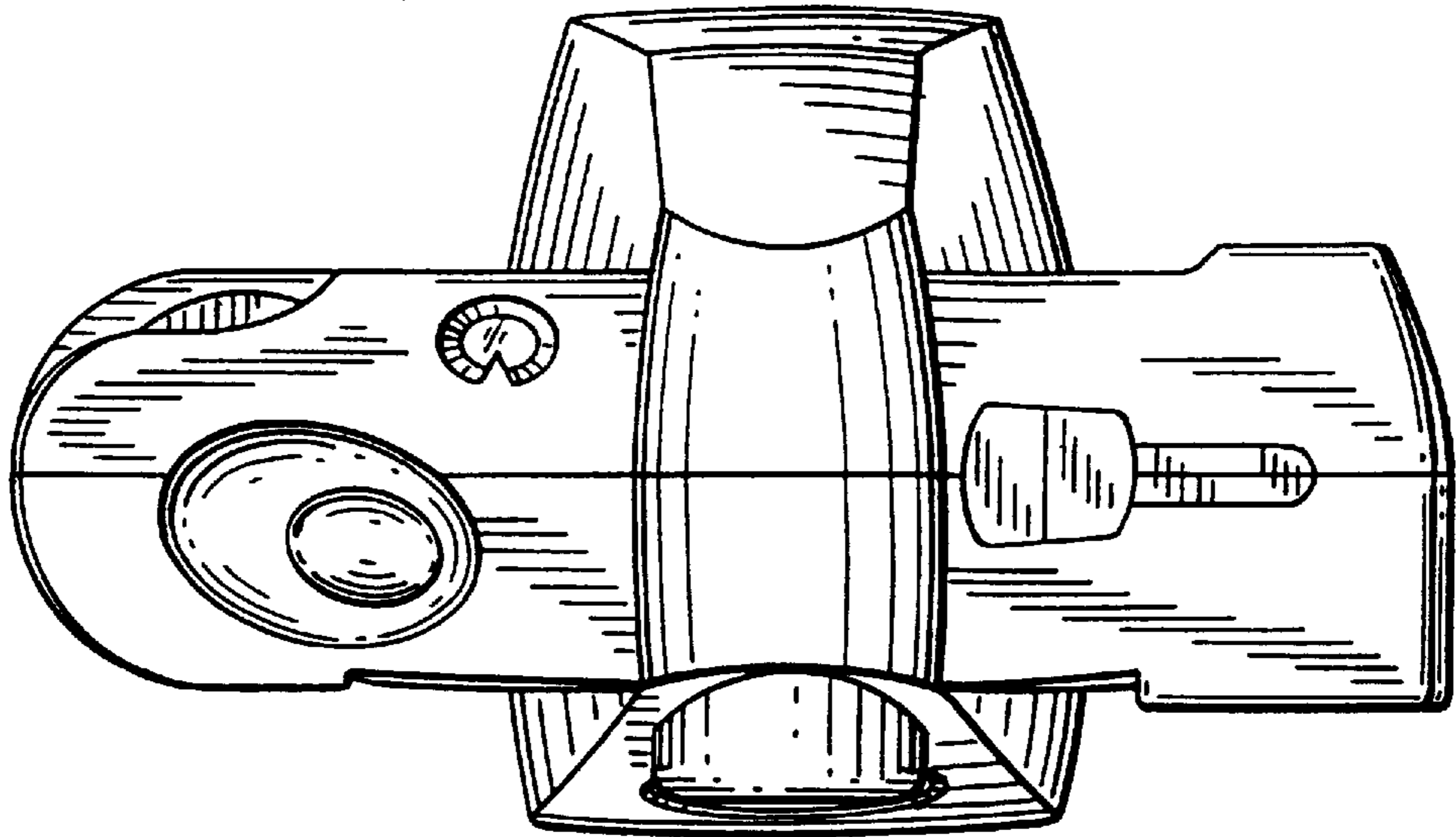


FIG. 2

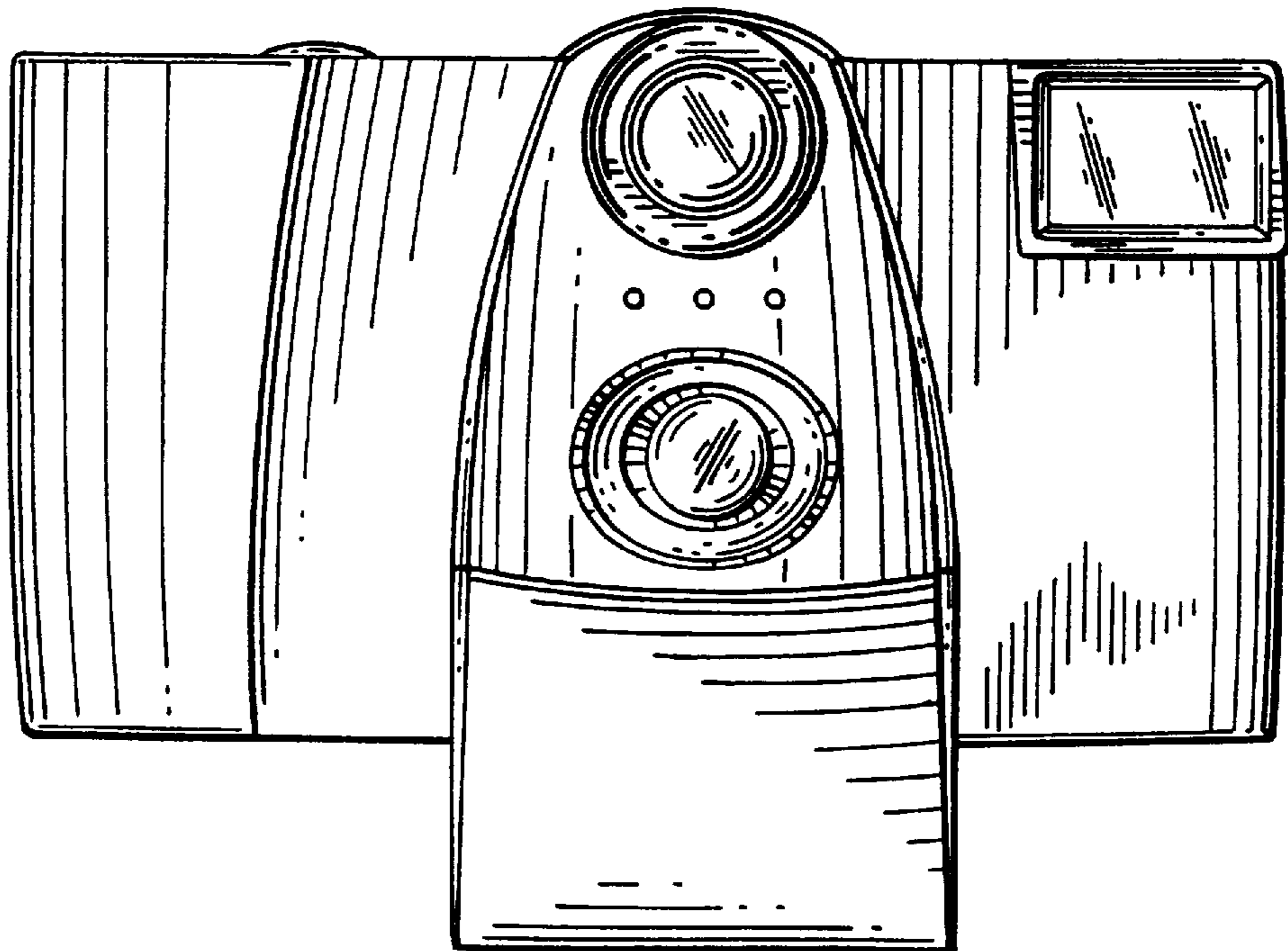


FIG. 4

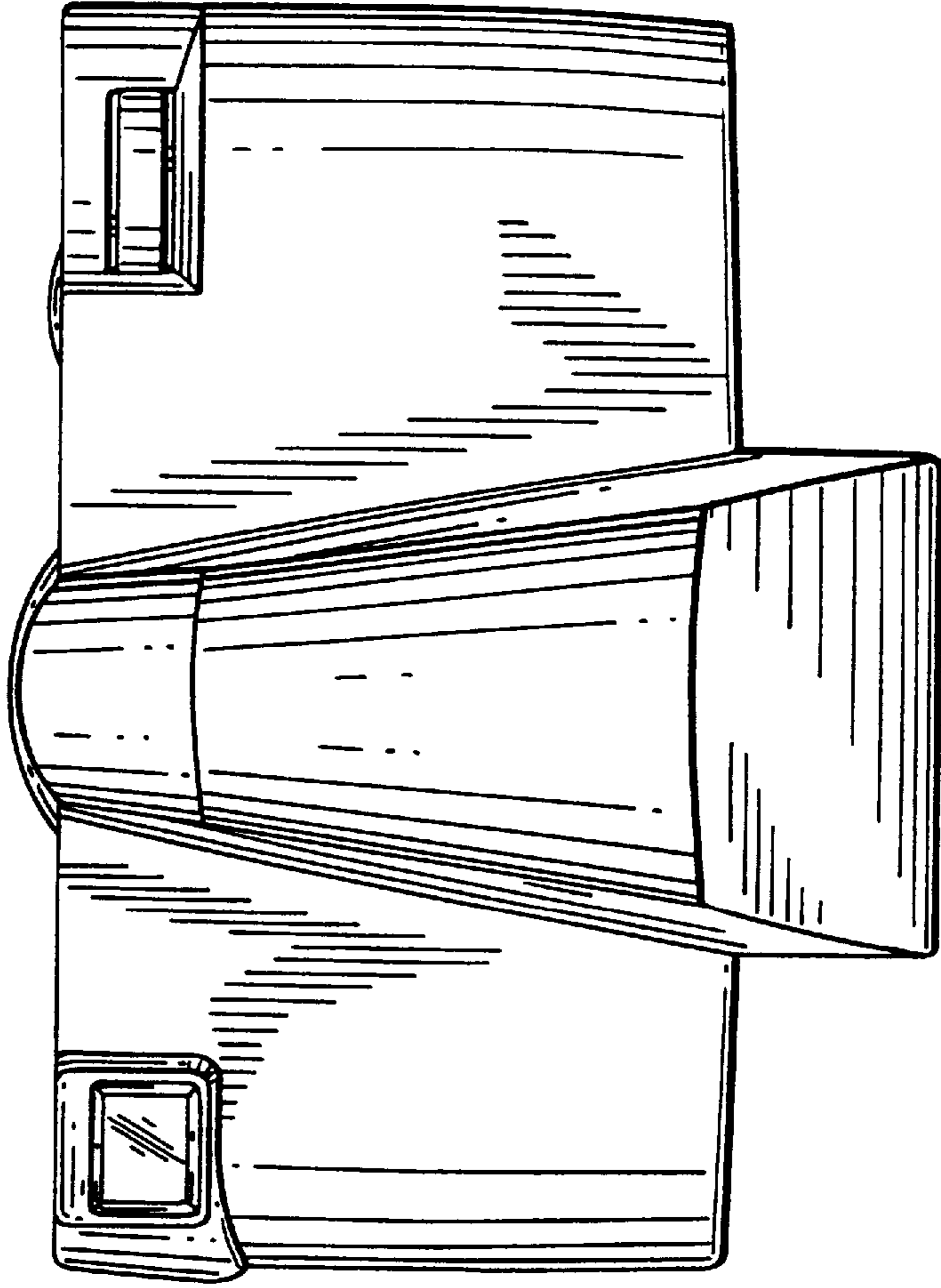
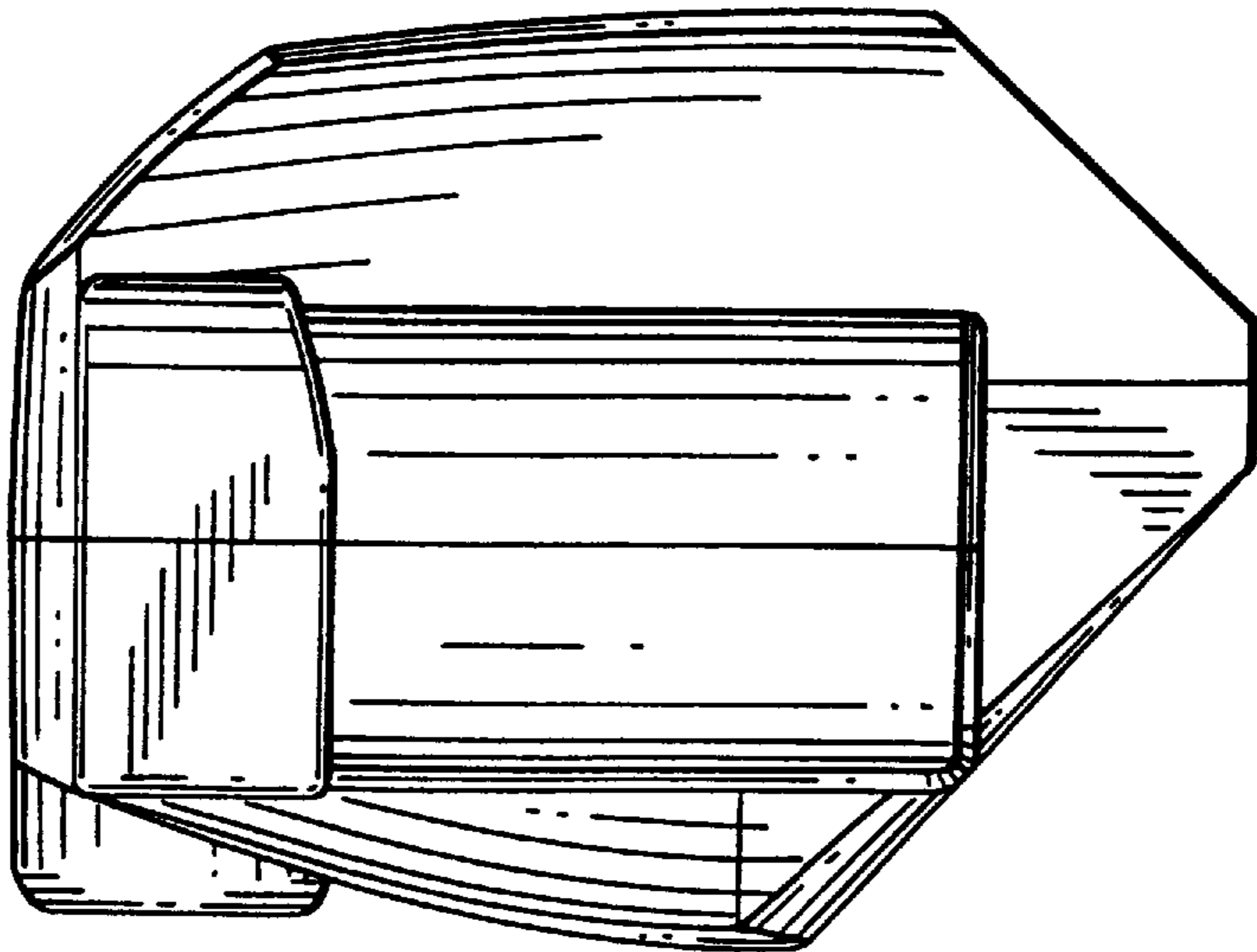


FIG. 3



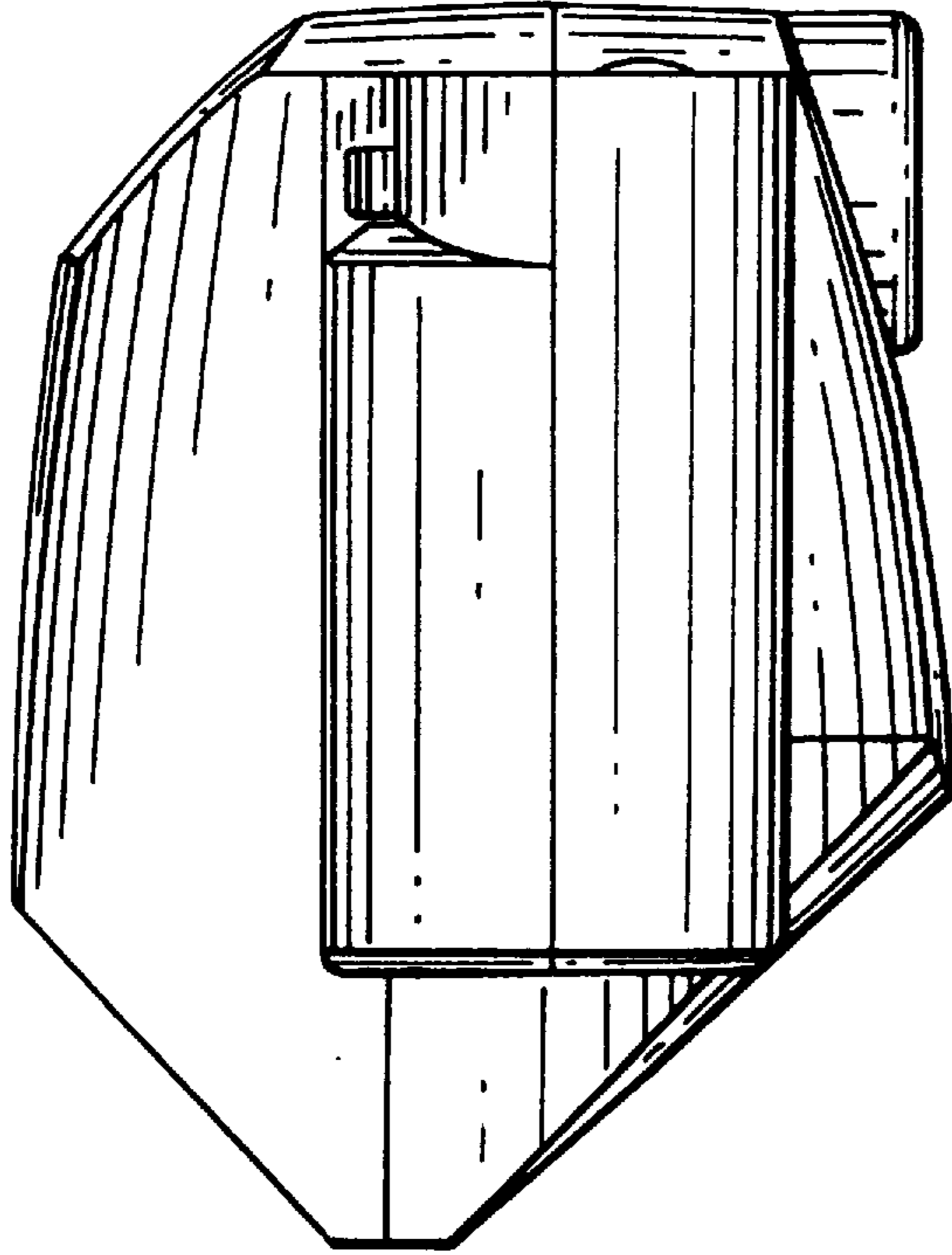


FIG. 5

FIG. 6

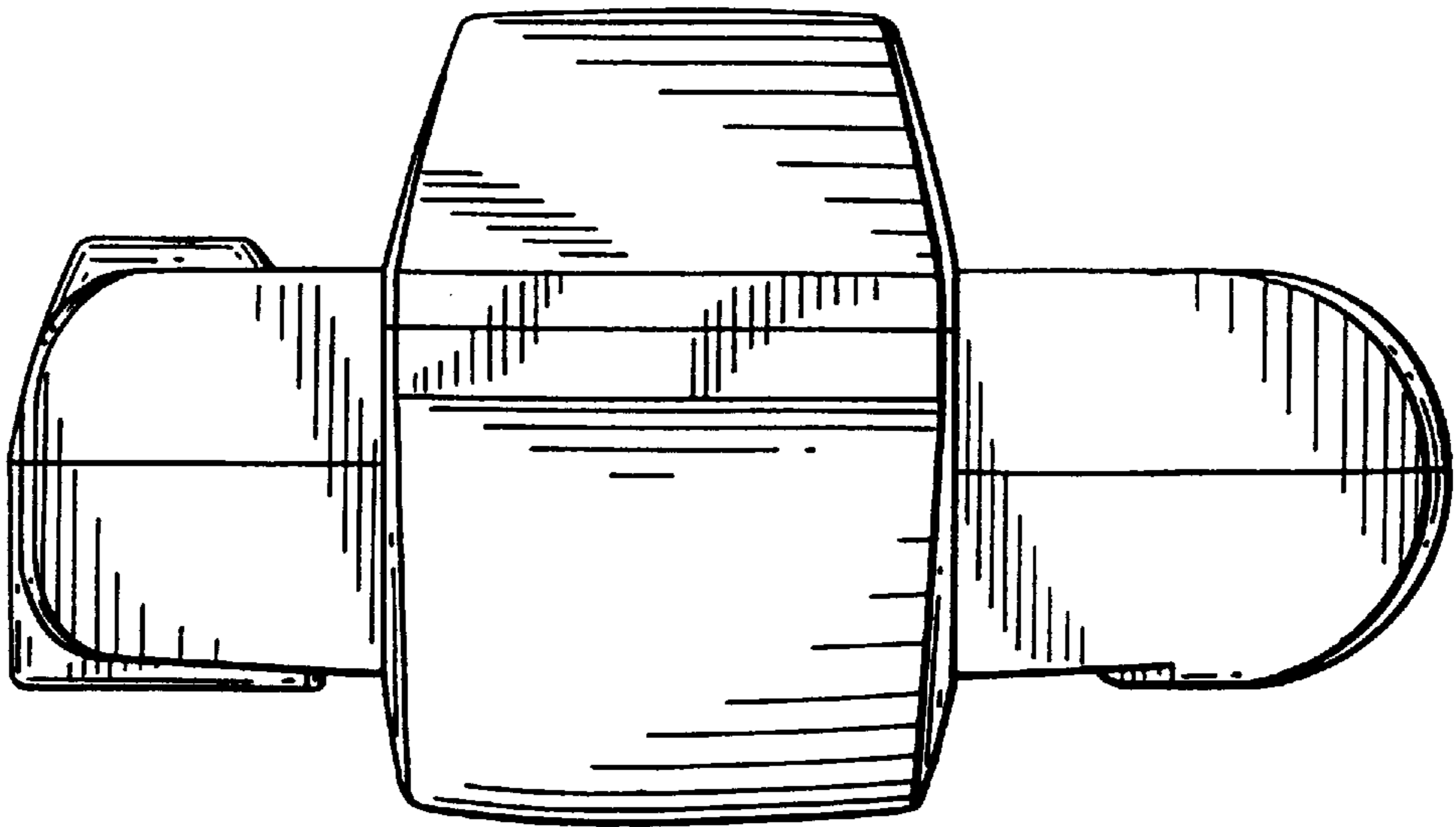


FIG. 7

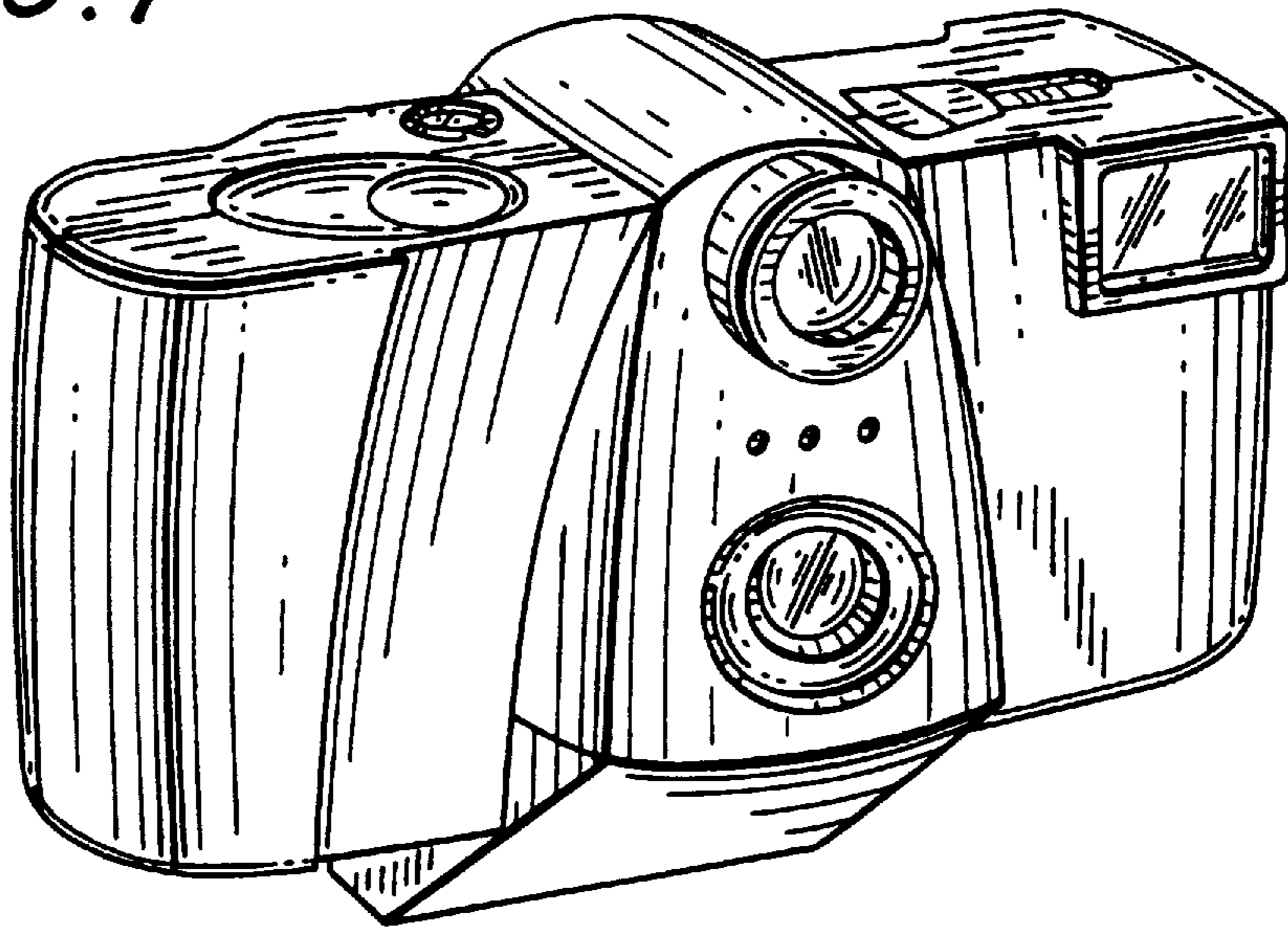


FIG. 8

