



US00D400550S

United States Patent [19] Inaba

[11] **Patent Number: Des. 400,550**
[45] **Date of Patent: **Nov. 3, 1998**

[54] **35MM CAMERA**

D. 386,775 11/1997 Shiotani et al. D16/218
5,258,793 11/1993 Tsuji et al. 396/536

[75] Inventor: **Toshiya Inaba**, Tokyo, Japan

[73] Assignee: **Asahi Kogaku Kogyo Kabushiki Kaisha**, Tokyo, Japan

[**] Term: **14 Years**

Primary Examiner—Philip S. Hyder
Assistant Examiner—Adir Aronovich
Attorney, Agent, or Firm—Sughrue, Mion, Zinn, Macpeak & Seas, PLLC

[21] Appl. No.: **81,297**

[22] Filed: **Dec. 29, 1997**

[57] **CLAIM**

The ornamental design for a 35mm camera, as shown and described.

[30] **Foreign Application Priority Data**

Jul. 11, 1997 [JP] Japan 9-57310

[51] **LOC (6) Cl.** **16-01**

[52] **U.S. Cl.** **D16/209; D16/218**

[58] **Field of Search** D16/200–205,
D16/208, 209, 216–218; 396/535–543

DESCRIPTION

FIG. 1 is a perspective view of the top, front and right side of a 35mm camera showing my new design;
FIG. 2 is a front elevational view thereof;
FIG. 3 is a top plan view thereof;
FIG. 4 is a left side elevational view thereof;
FIG. 5 is a right side elevational view thereof;
FIG. 6 is a rear elevational view thereof;
FIG. 7 is a bottom plan view thereof;
FIG. 8 is a perspective view similar to FIG. 1 with the flash extended; and,
FIG. 9 is a perspective view similar to FIG. 1 with the flash extended and the lens extended.

[56] **References Cited**

U.S. PATENT DOCUMENTS

D. 191,237 8/1961 Hennig et al. D16/218
D. 261,394 10/1981 Geissler D16/209
D. 353,610 12/1994 Akabane et al. D16/209
D. 379,632 6/1997 Hoshi et al. D16/209

1 Claim, 4 Drawing Sheets

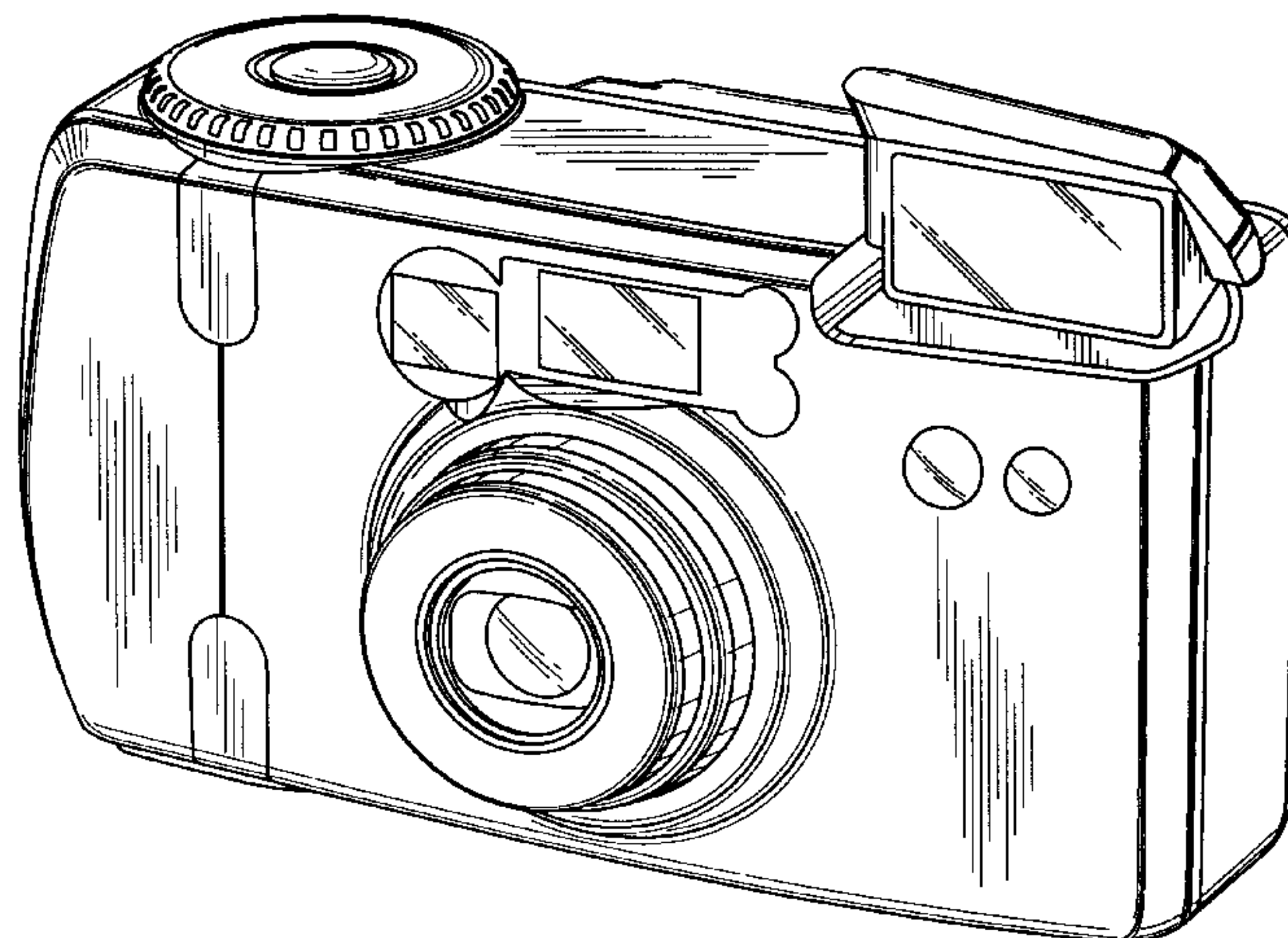
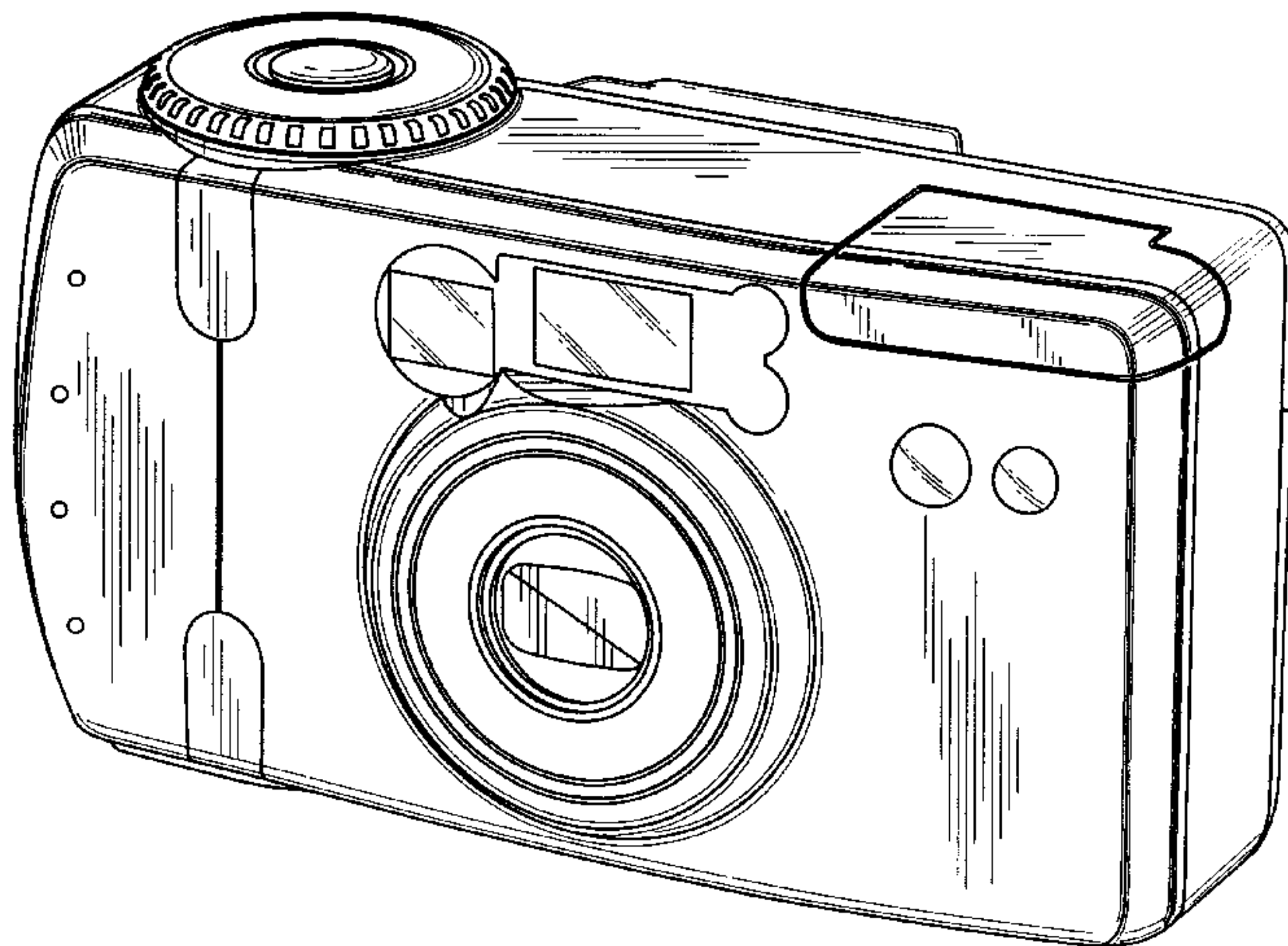


FIG. 1

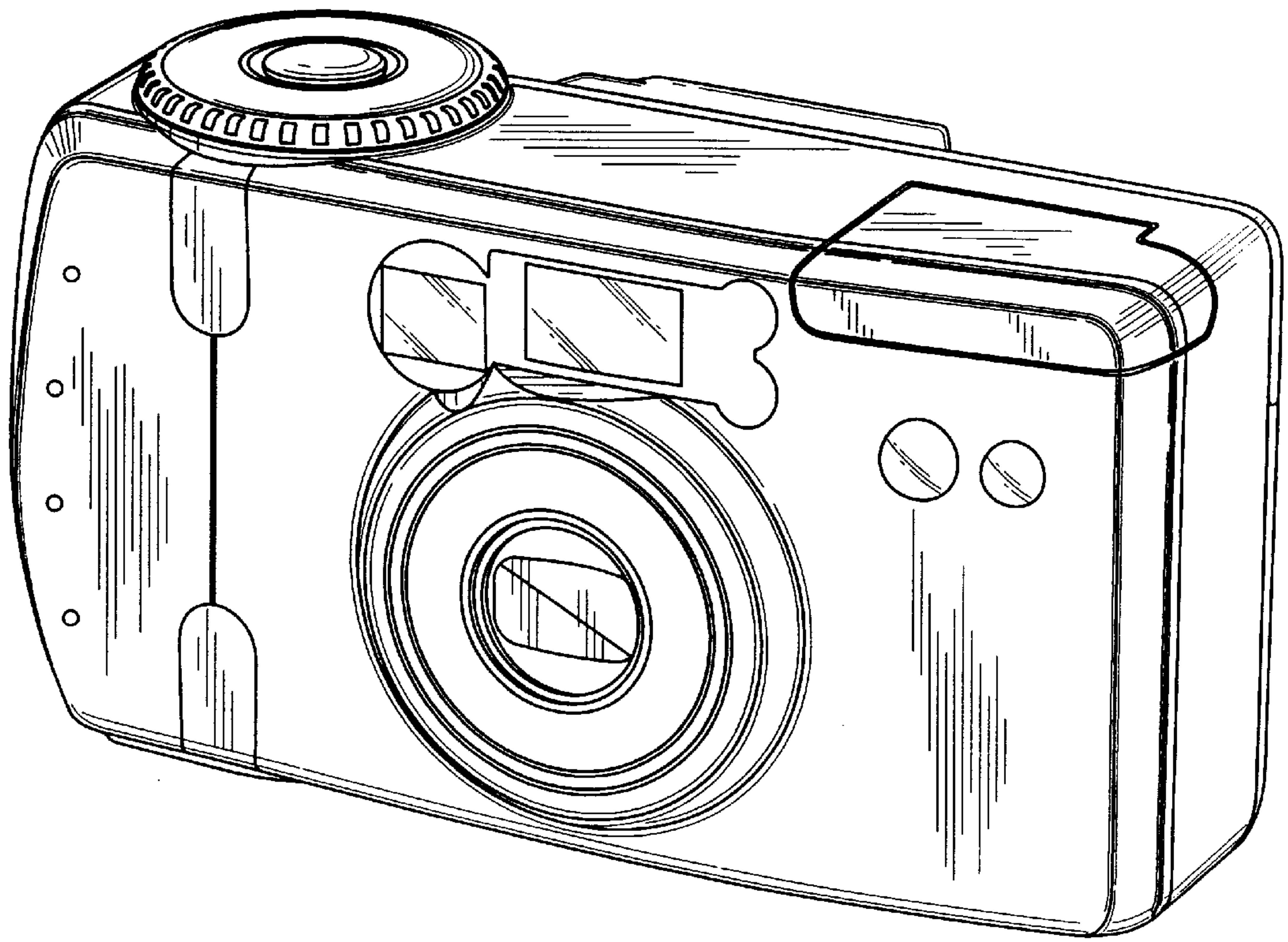


FIG. 2

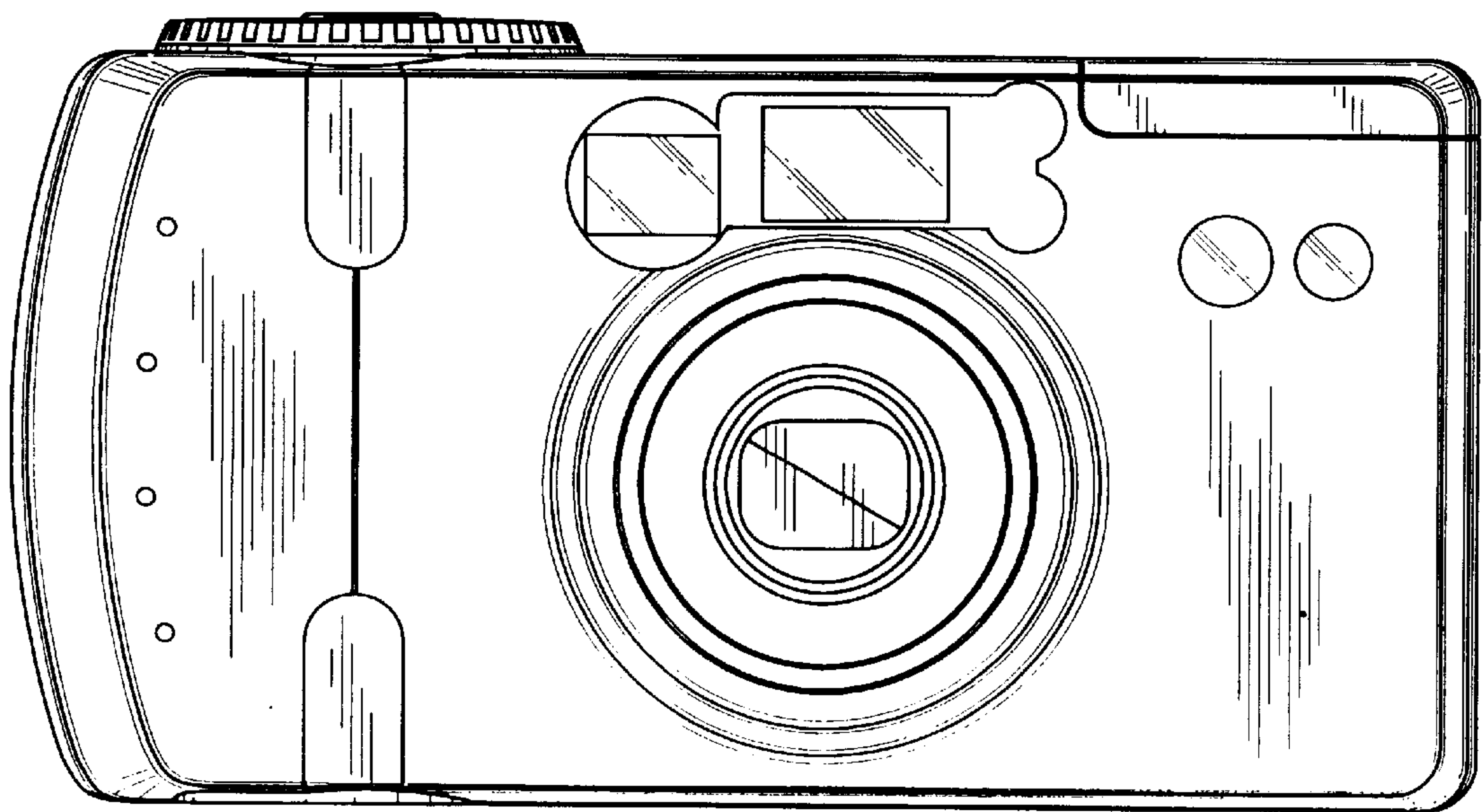


FIG. 3

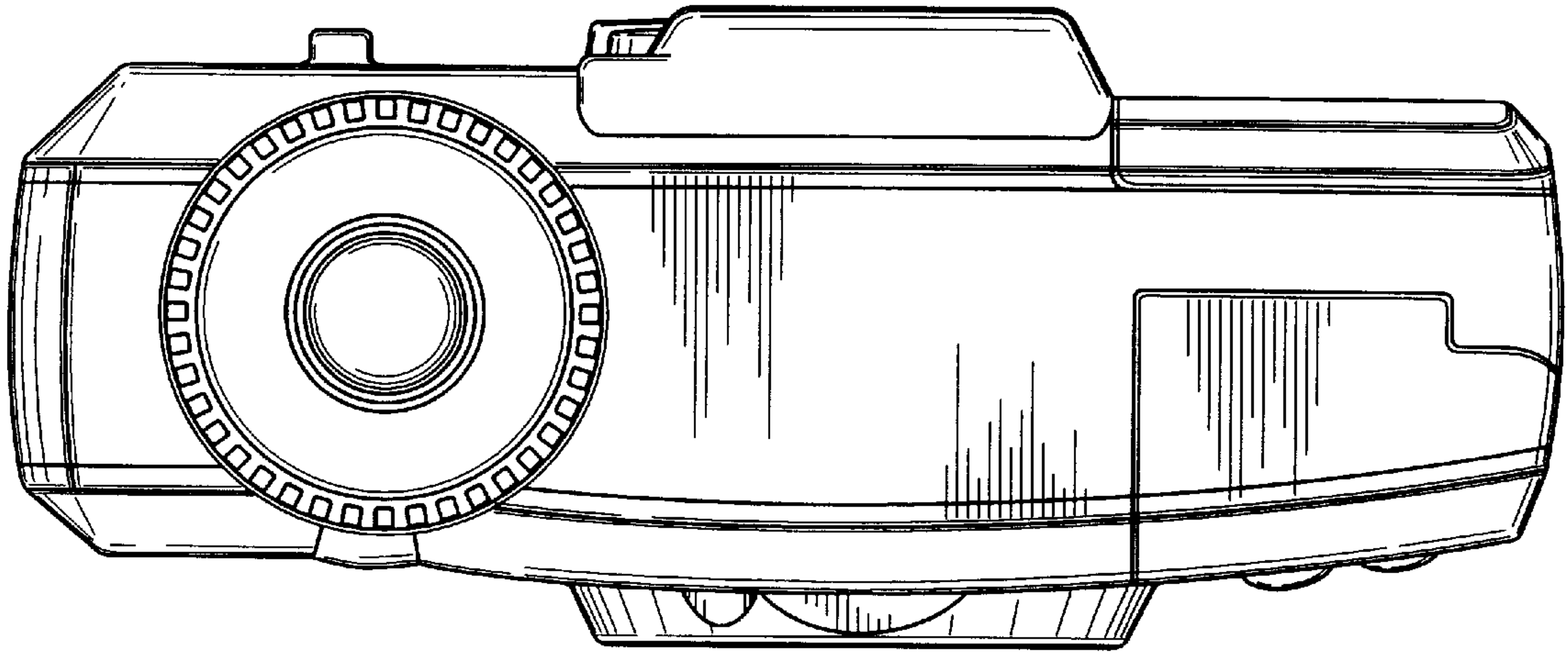


FIG. 4

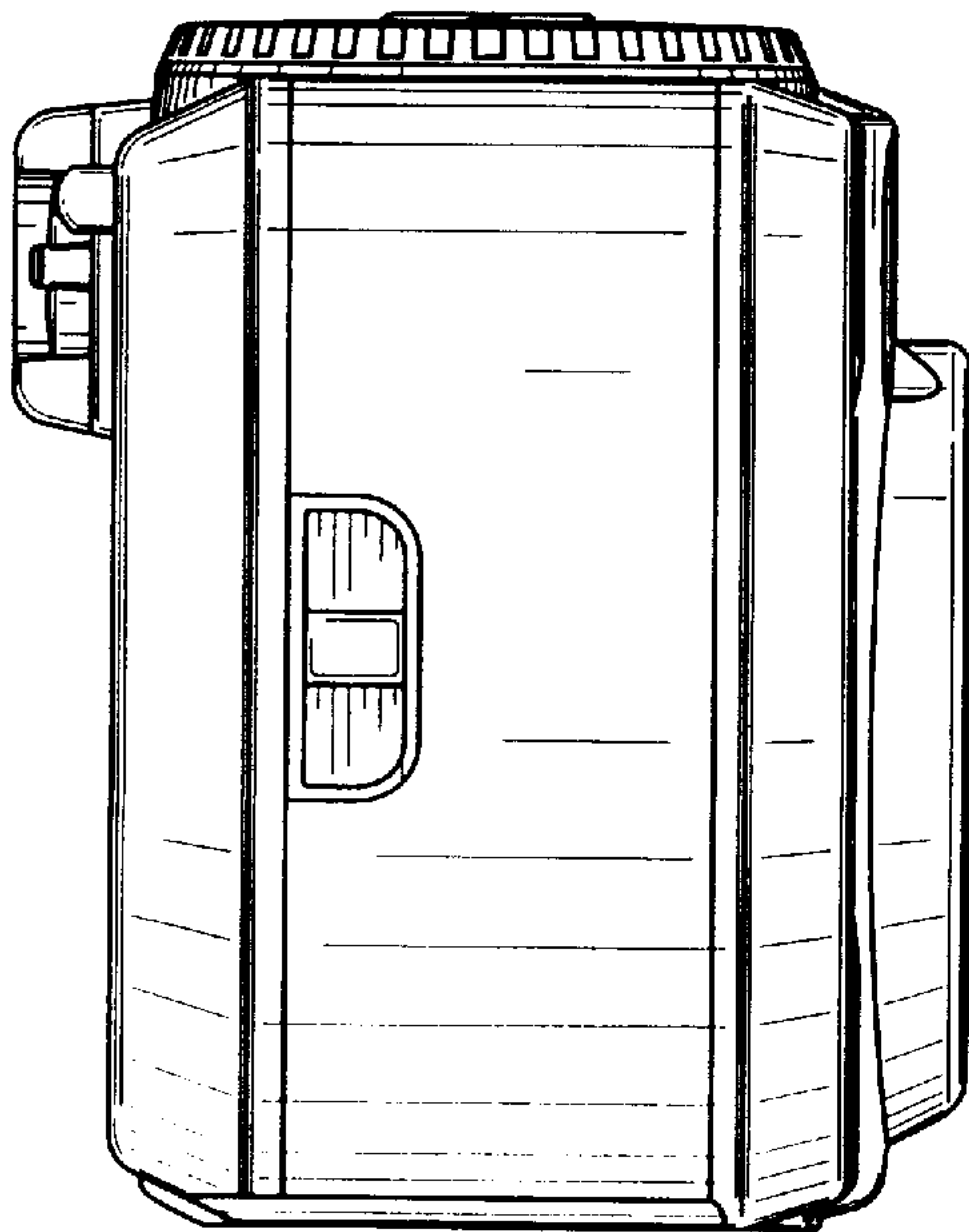


FIG. 5

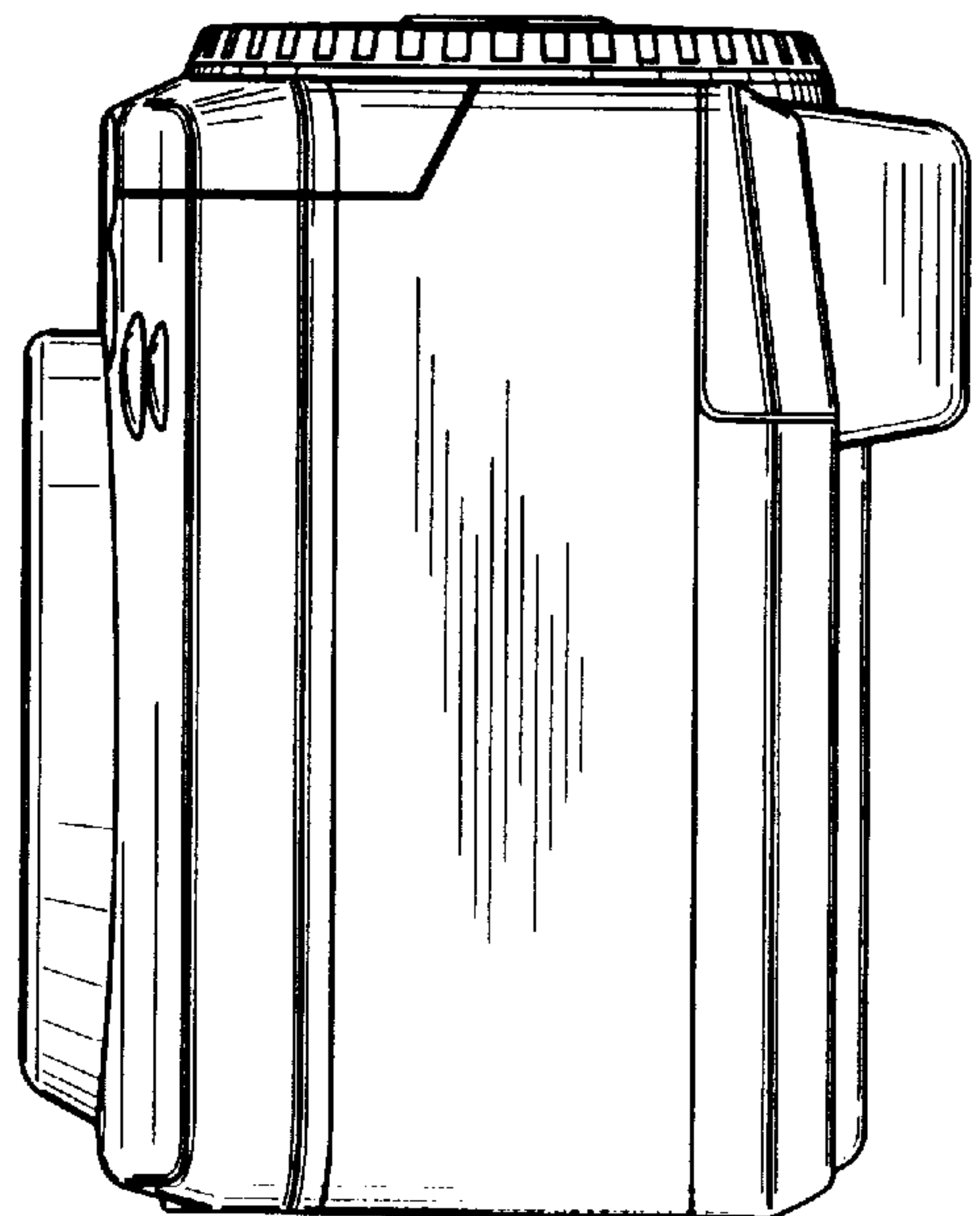


FIG. 6

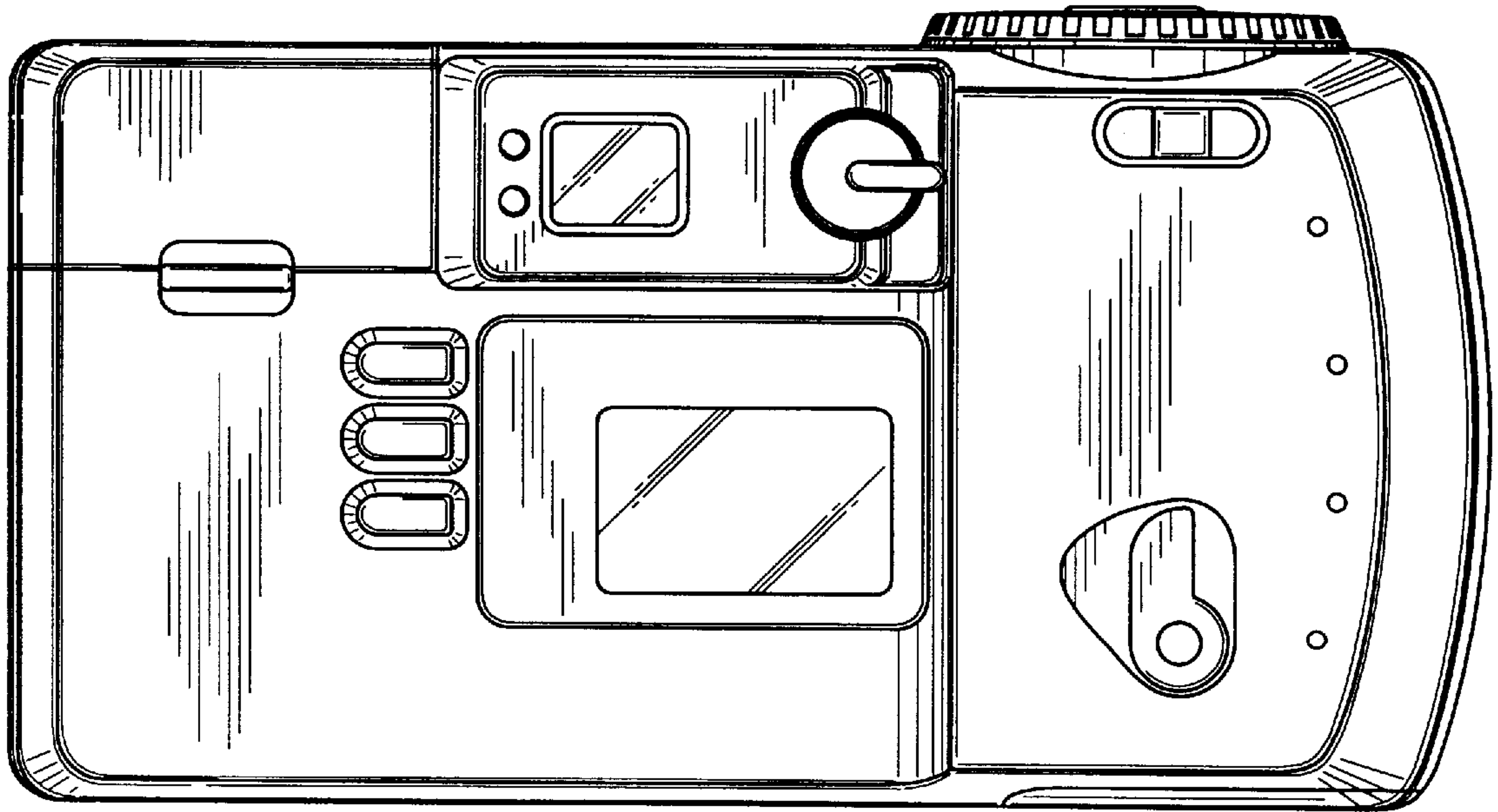


FIG. 7

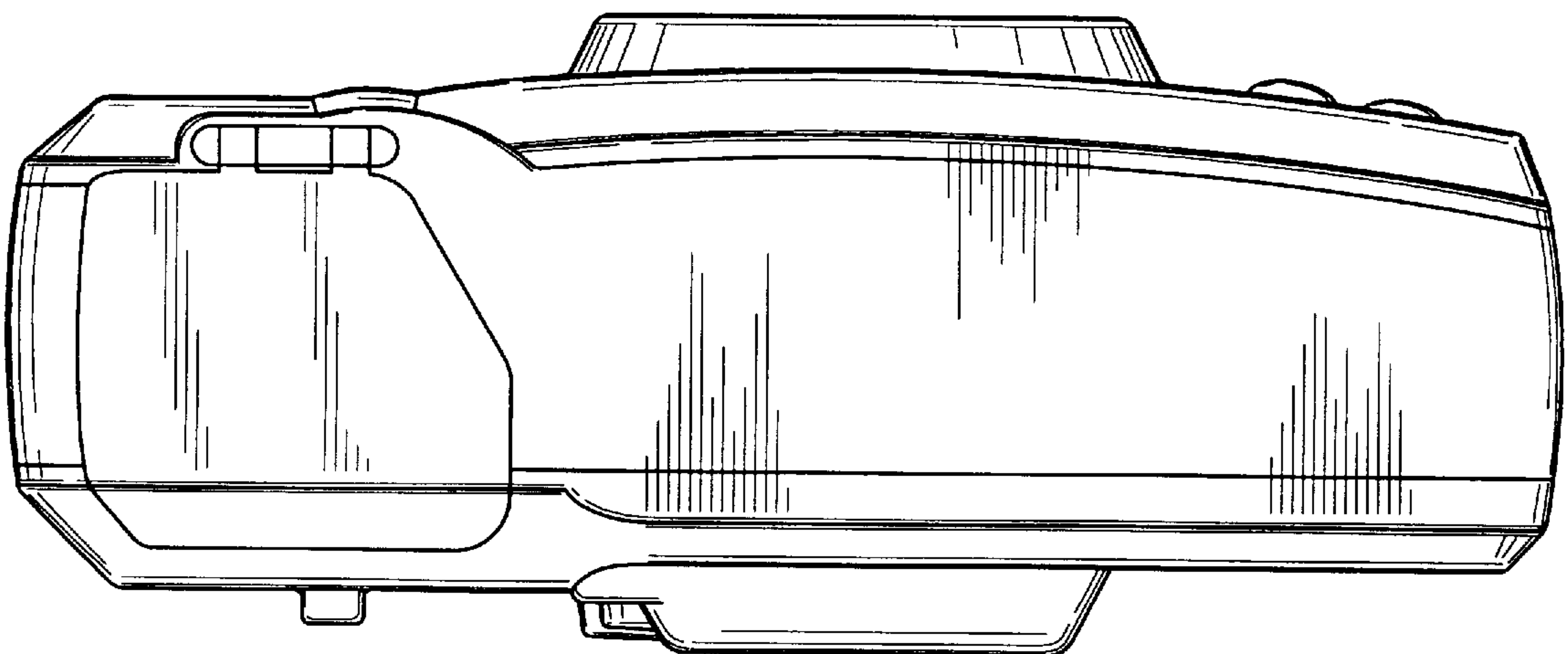


FIG. 8

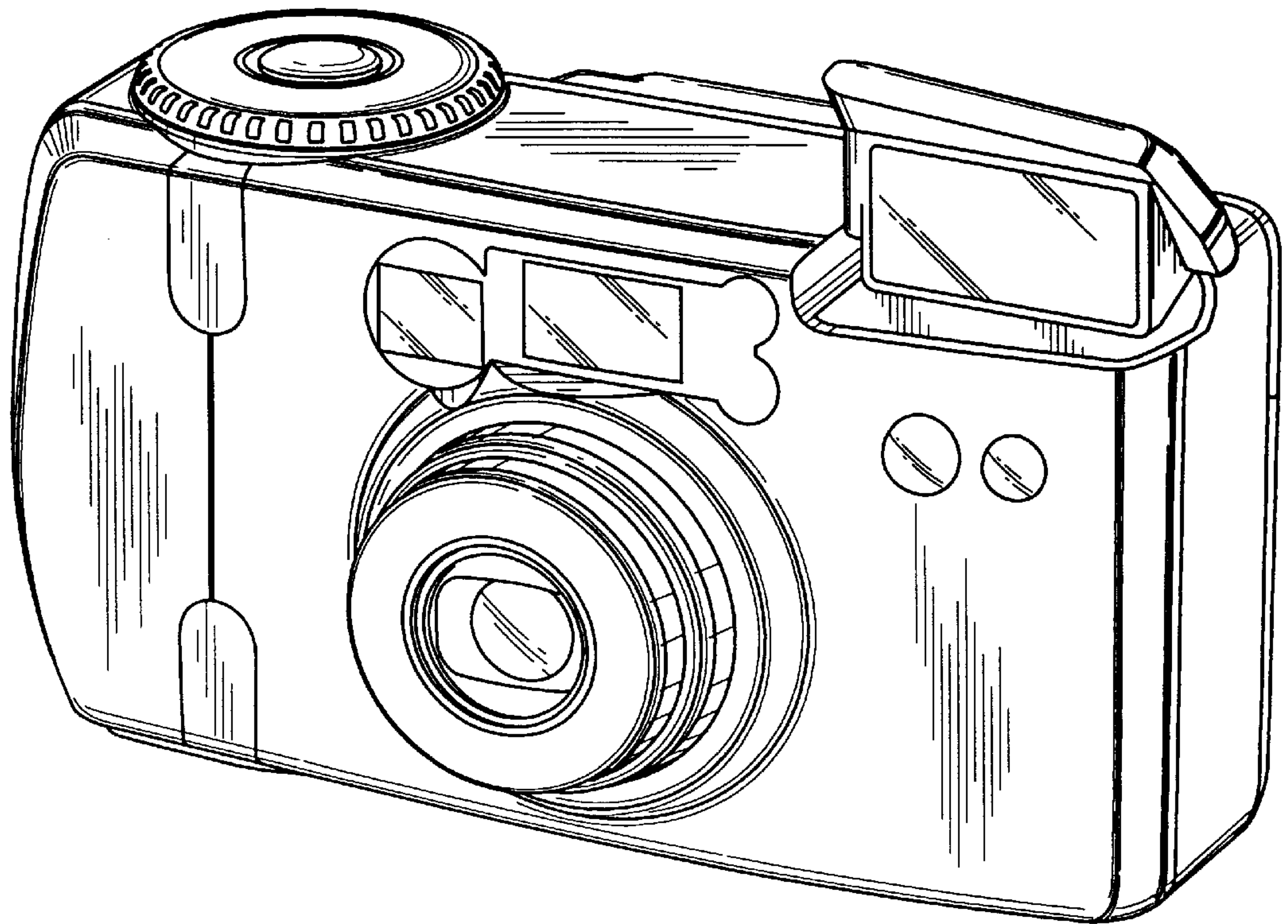


FIG. 9

