



US00D400548S

United States Patent [19]
Komatsuzaki

[11] **Patent Number: Des. 400,548**

[45] **Date of Patent: **Nov. 3, 1998**

[54] **MICROSCOPE SUPPORT AND STAGE**

5,119,233 6/1992 Hayashi 359/385 X
5,198,927 3/1993 Rathbone et al. 359/385

[75] Inventor: **Takashi Komatsuzaki**, San Jose, Calif.

Primary Examiner—Paula A. Mortimer
Attorney, Agent, or Firm—Fish & Richardson P.C.

[73] Assignee: **Swift Instruments, Inc.**, Boston, Mass.

[**] Term: **14 Years**

[57] **CLAIM**

[21] Appl. No.: **77,092**

The ornamental design for a microscope support and stage design, as shown and described.

[22] Filed: **Sep. 26, 1997**

DESCRIPTION

[51] **LOC (6) Cl.** **16-06**

[52] **U.S. Cl.** **D16/131**

[58] **Field of Search** D16/130, 131,
D16/134; 359/375, 376, 381, 382, 383,
385

FIG. 1 is a front perspective view of a microscope support and stage showing my new design;
FIG. 2 is a front view of the design of the microscope support and stage of FIG. 1;
FIG. 3 is the rear view of the design of the microscope support and stage of FIG. 1;
FIG. 4 is a side view of the design of the microscope support and stage of FIG. 1;
FIG. 5 is the opposite side view of the design of the microscope support and stage of FIG. 1; and,
FIG. 6 is a top view of the design of the microscope support and stage of FIG. 1.

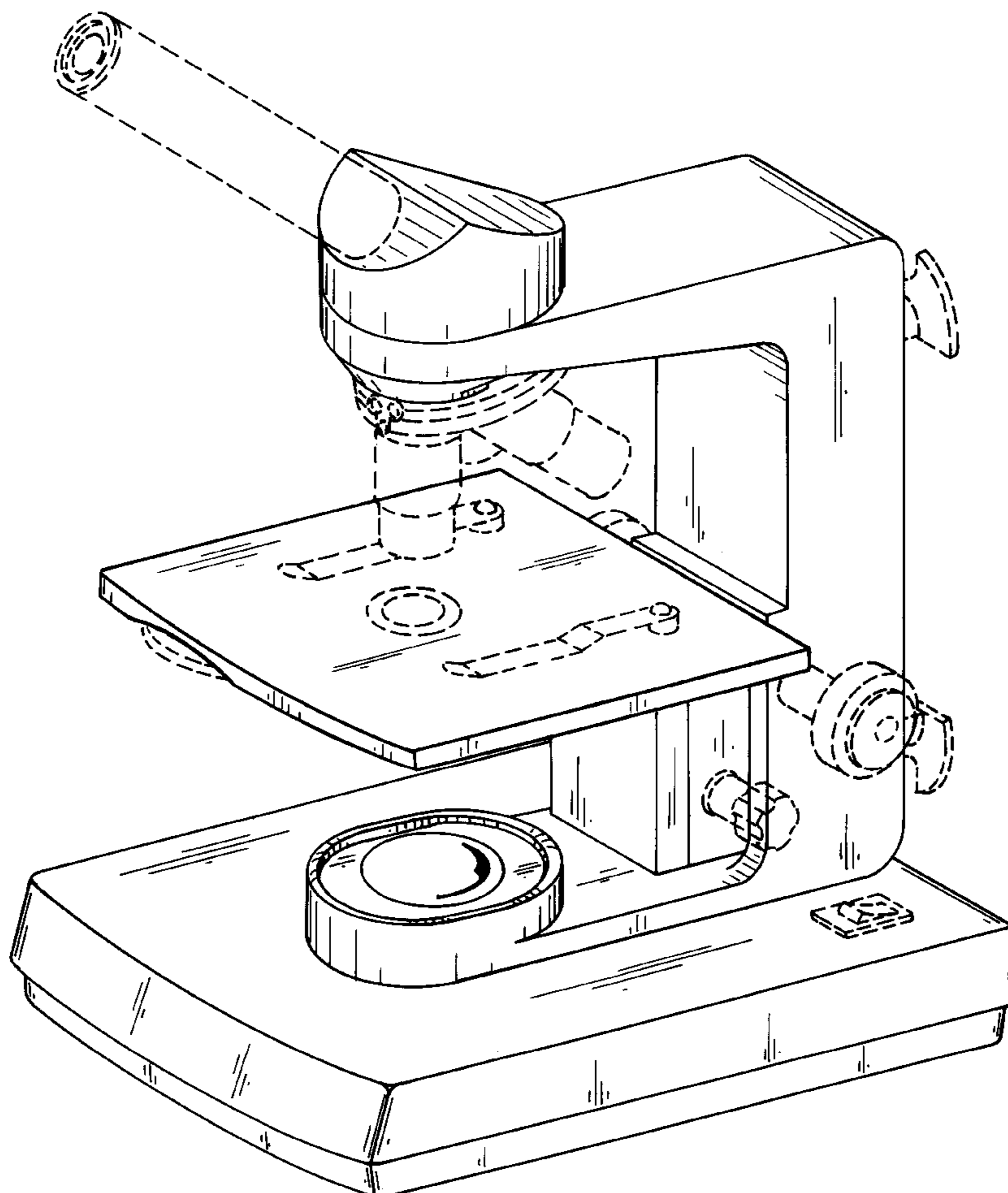
[56] **References Cited**

U.S. PATENT DOCUMENTS

D. 345,747	4/1994	Hölbl	D16/131
D. 345,748	4/1994	Hölbl	D16/131
D. 354,761	1/1995	Komatsuzaki et al.	D16/131
2,138,665	11/1938	Ott	D16/131 X
2,166,034	7/1939	Allison	359/383
2,195,657	4/1940	Ott	359/381
2,560,169	7/1951	Gradisar	359/382 X
4,283,111	8/1981	Wieber et al.	359/381

In the FIGURES, broken lines are not part of the claimed design.

1 Claim, 6 Drawing Sheets



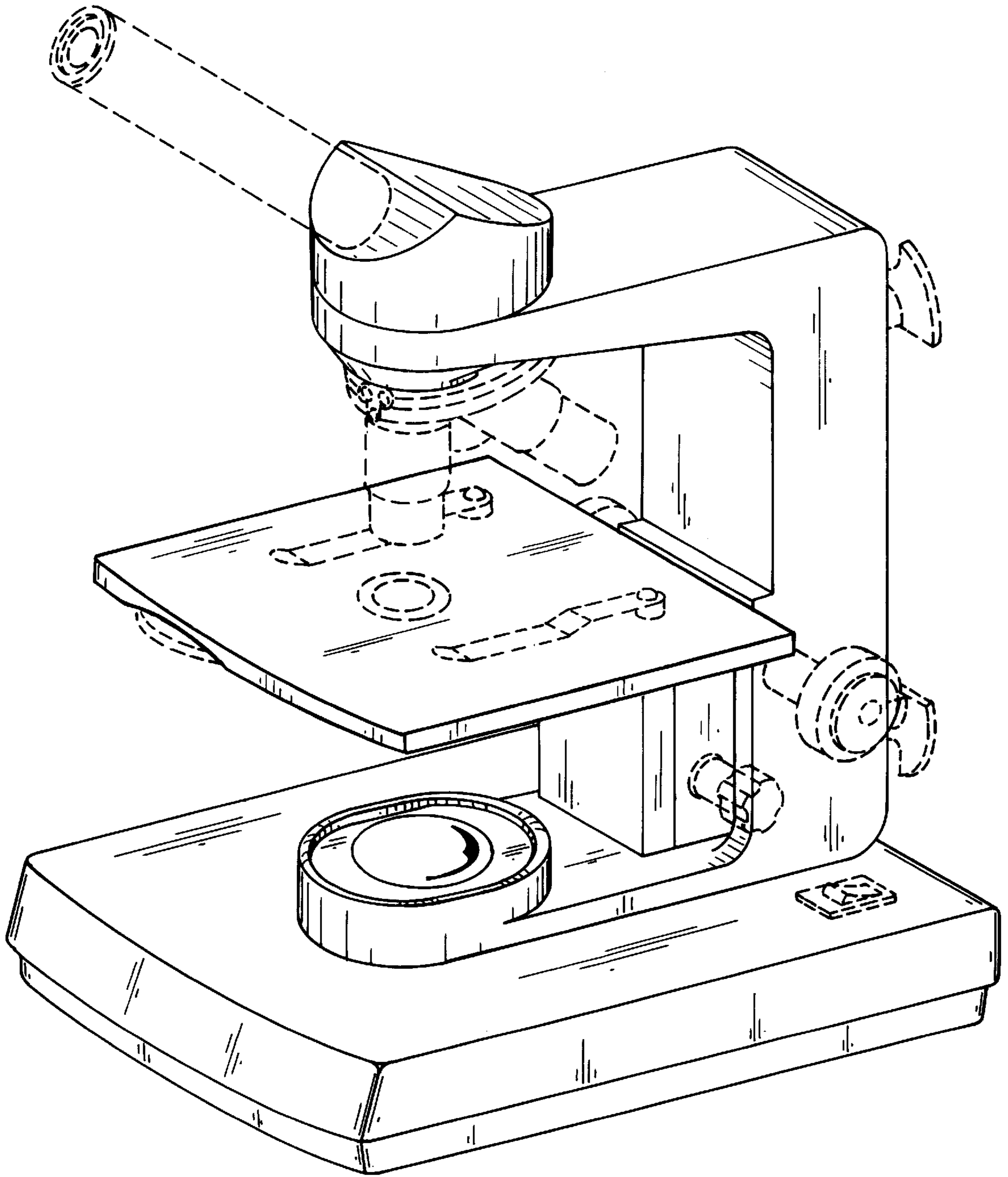


FIG. 1

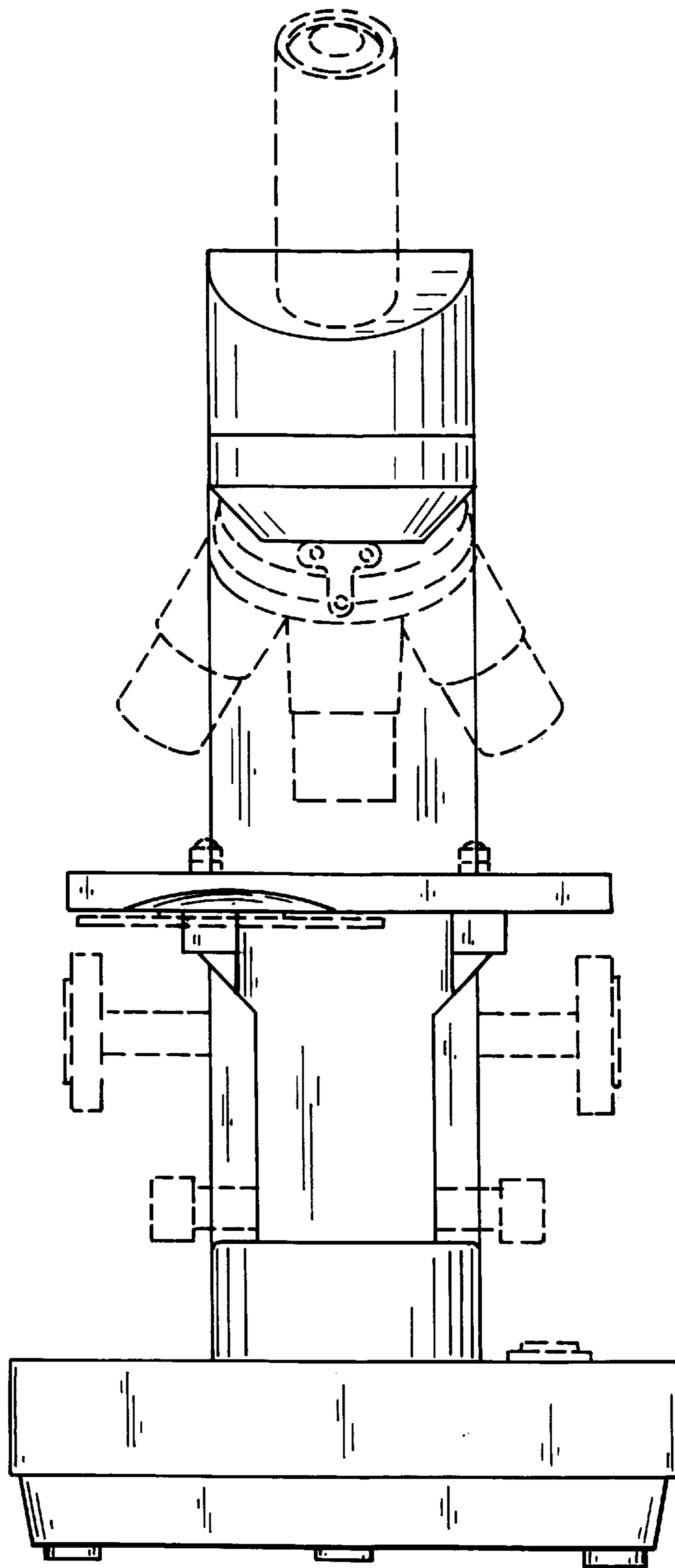


FIG. 2

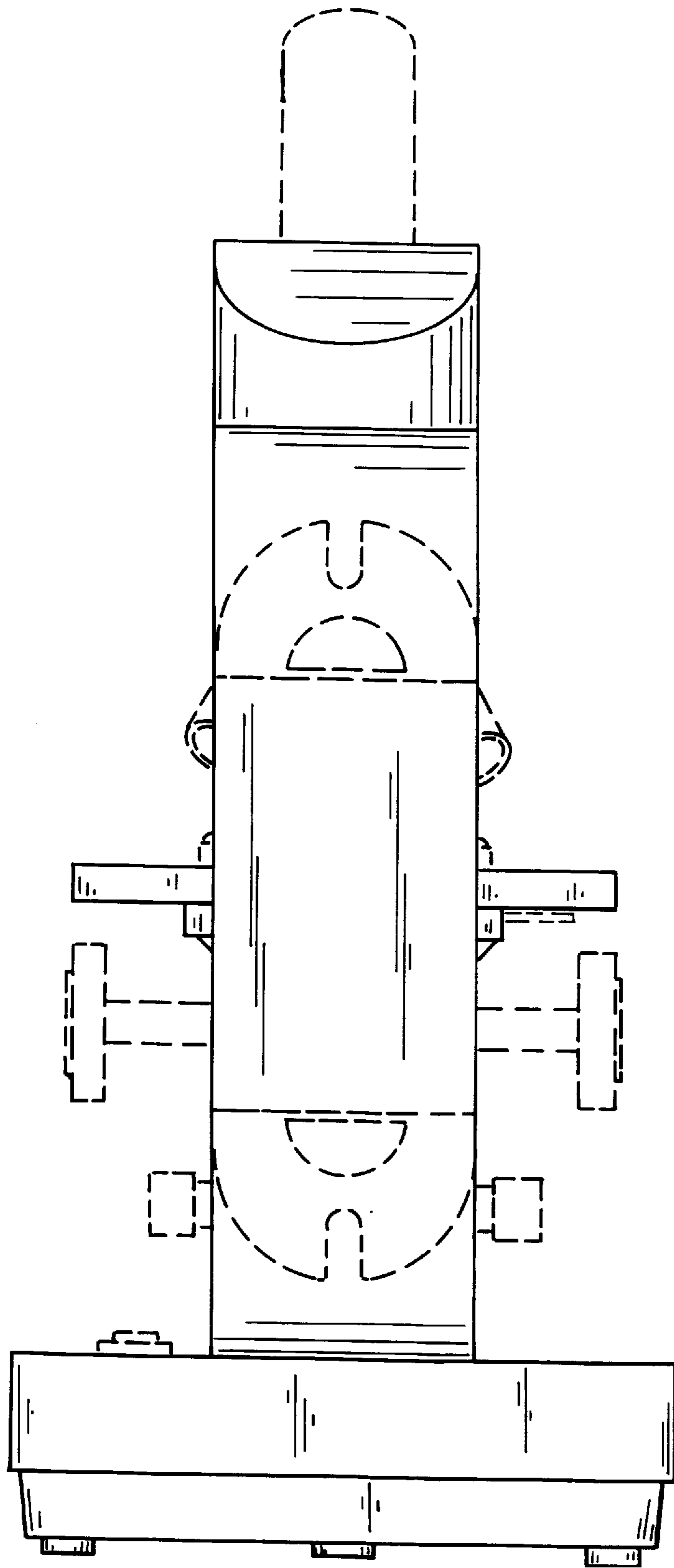


FIG. 3

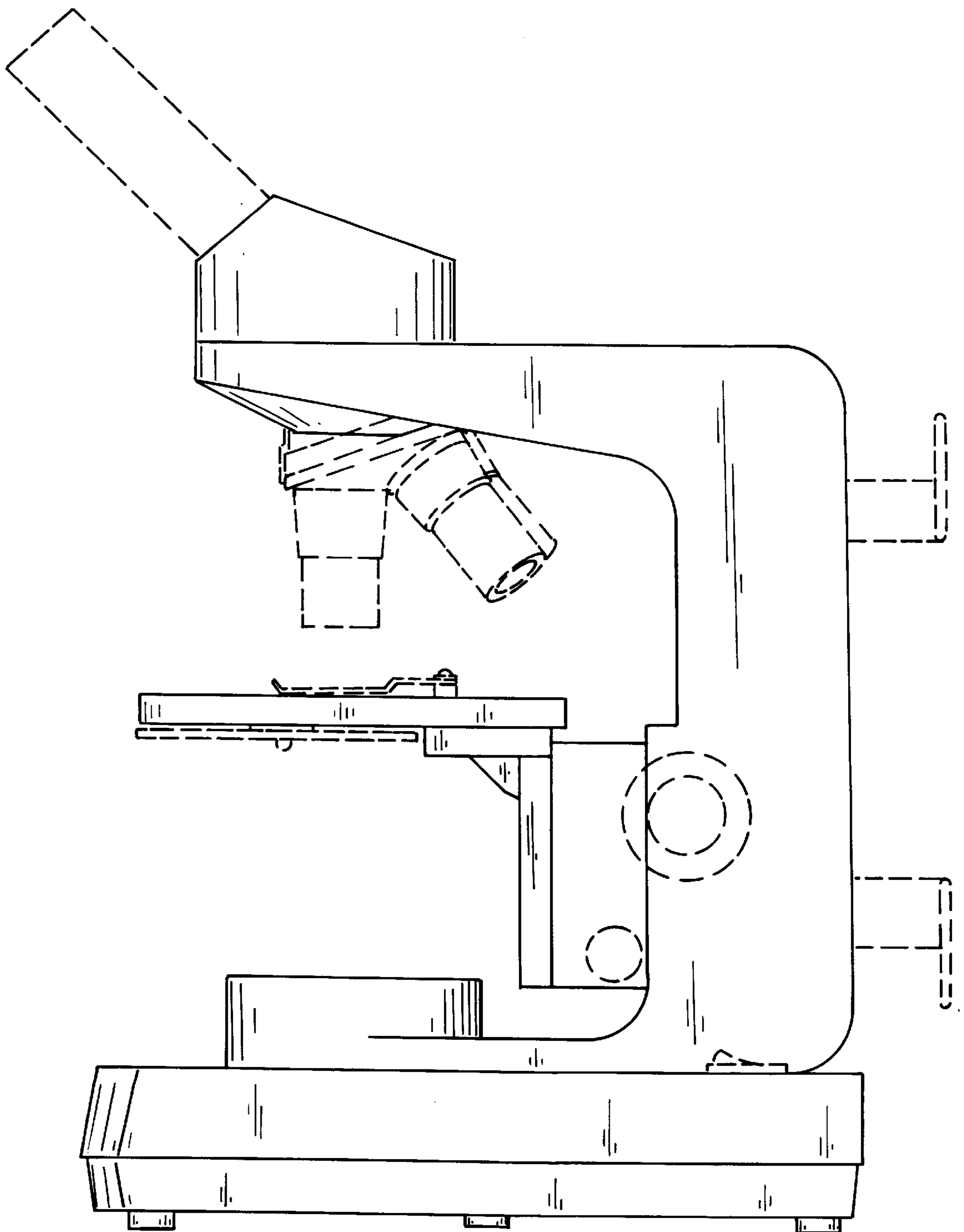


FIG. 4

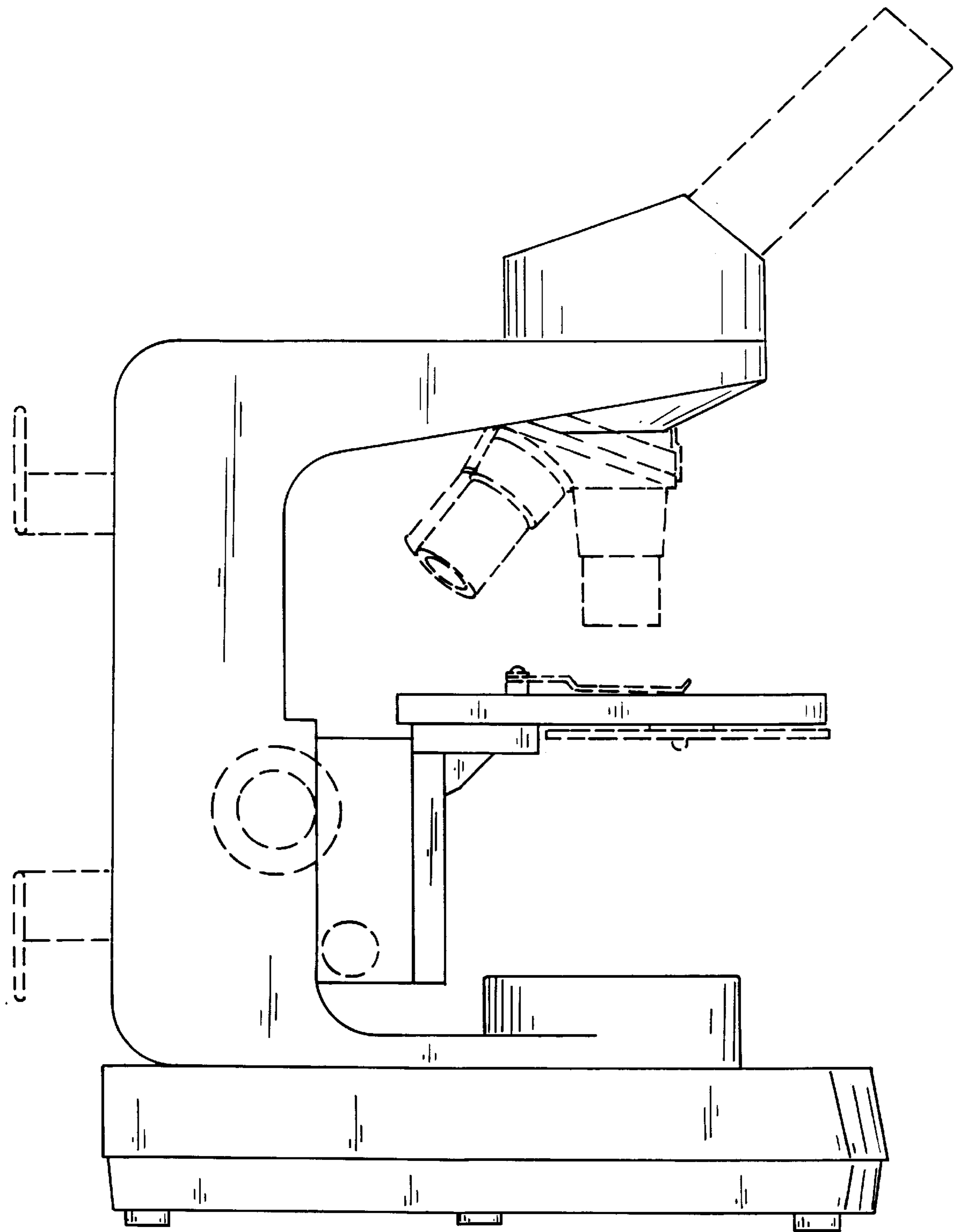


FIG. 5

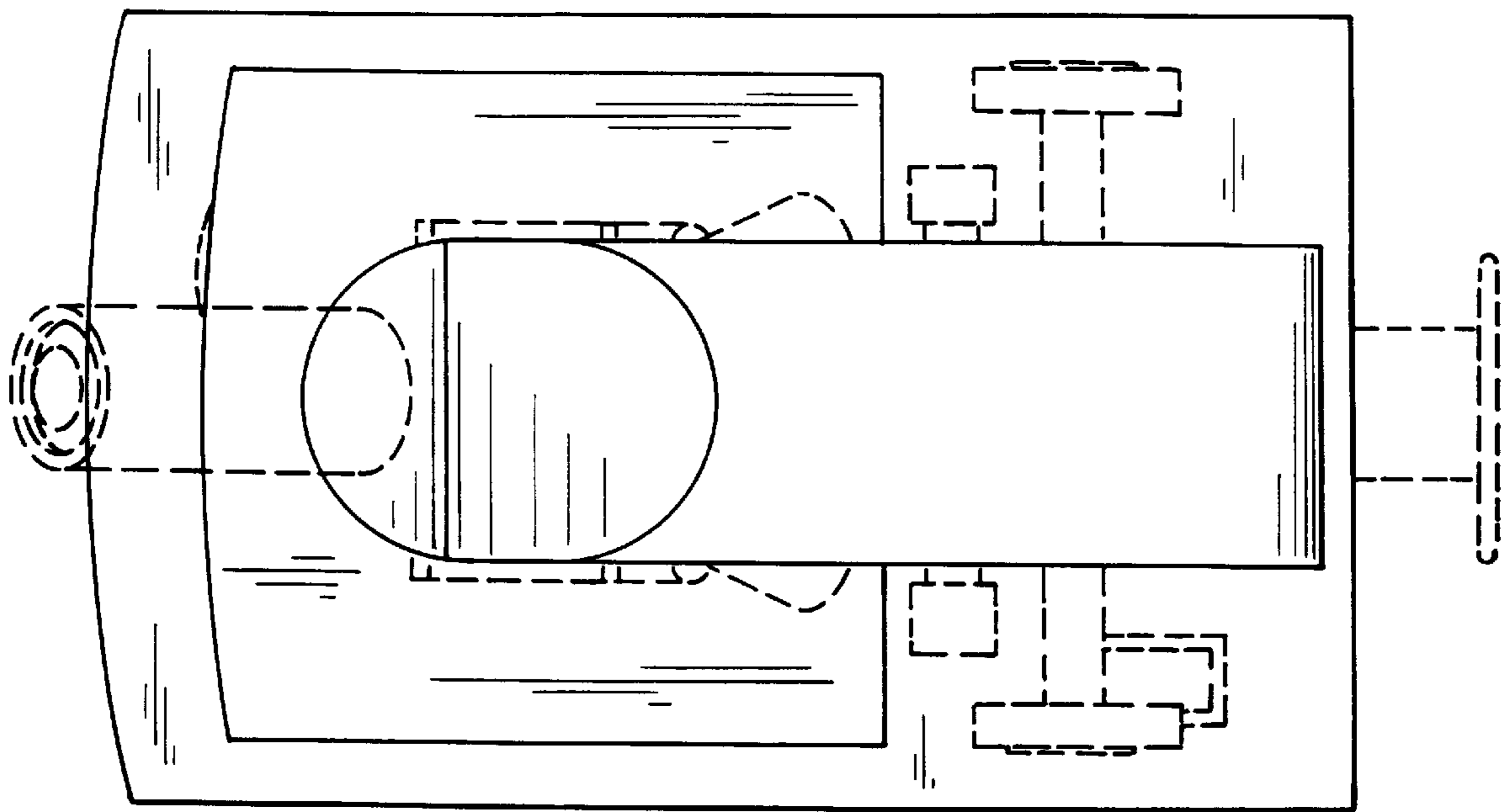


FIG. 6