



US00D400547S

United States Patent [19]

Albrektsson et al.

[11] **Patent Number:** **Des. 400,547**

[45] **Date of Patent:** ****Nov. 3, 1998**

[54] **REAMER**

[75] Inventors: **Björn Albrektsson**, Onsala; **Lars Carlsson**, Kullavik; **Magnus Jacobsson**, Göteborg; **Tord Röstlund**, Kullavik; **Stig Wennberg**, Gunnilse, all of Sweden

[73] Assignee: **Astra Aktiebolag**, Sodertalje, Sweden

[**] Term: **14 Years**

[21] Appl. No.: **74,062**

[22] Filed: **Jul. 18, 1997**

[30] **Foreign Application Priority Data**

Jan. 31, 1997 [SE] Sweden 97-0234

[51] **LOC (6) Cl.** **15-09**

[52] **U.S. Cl.** **D15/139**

[58] **Field of Search** D15/139, 138; D24/131, 146; 175/399, 344; 408/83, 127, 199, 145, 224, 705, 713; 606/79, 80, 81, 84, 89, 96, 180

[56] **References Cited**

U.S. PATENT DOCUMENTS

5,462,548 10/1995 Pappas et al. 606/80

Primary Examiner—Antoine Duval Davis
Attorney, Agent, or Firm—White & Case L.L.P.

[57] **CLAIM**

The ornamental design for a reamer, as shown.

DESCRIPTION

FIG. 1 is a top perspective view of a reamer showing our new design;

FIG. 2 is a bottom perspective view;

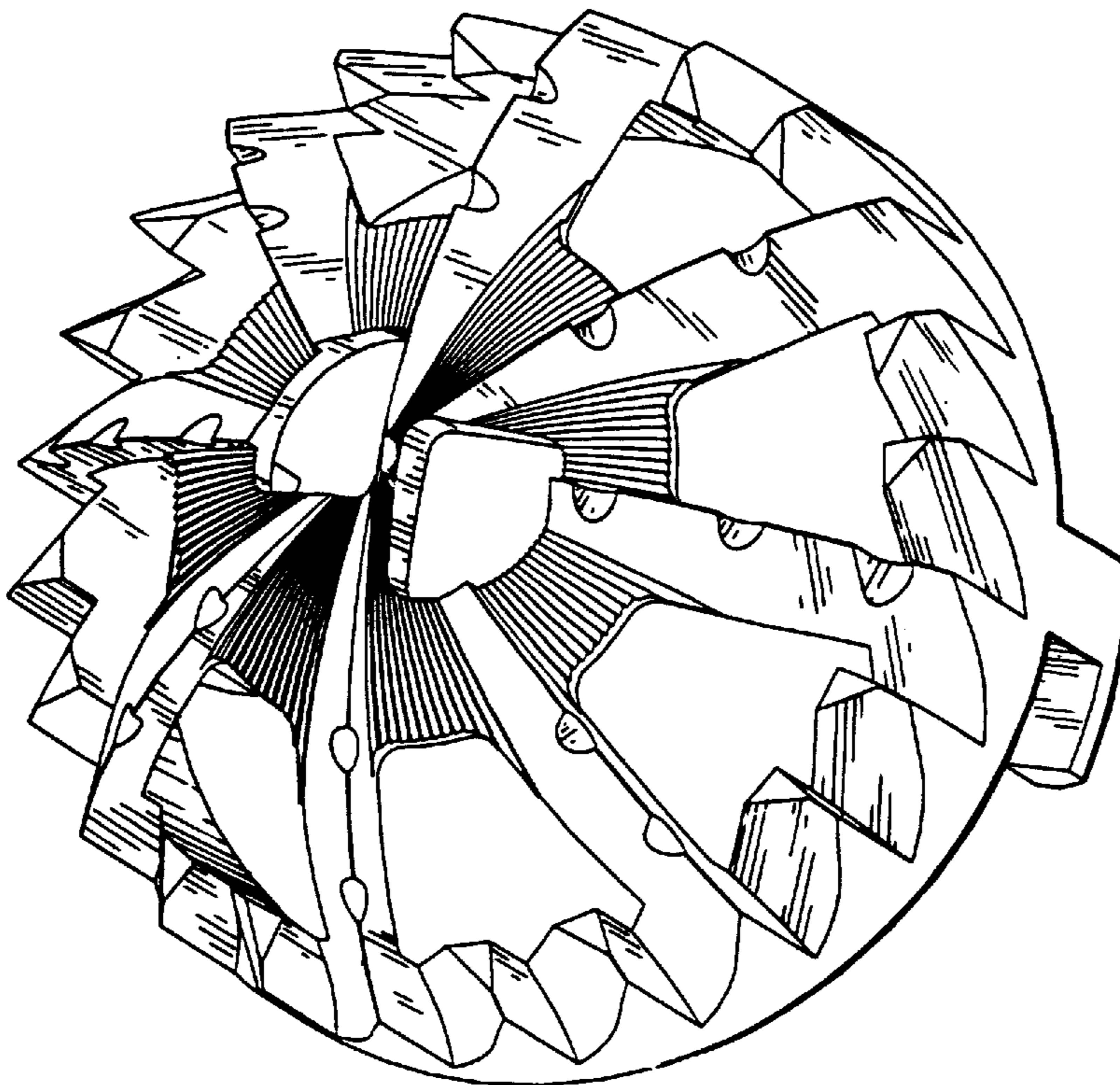
FIG. 3 is a side elevation view;

FIG. 4 is a top plan view;

FIG. 5 is a bottom plan view; and,

FIG. 6 is another side elevation view thereof.

1 Claim, 3 Drawing Sheets



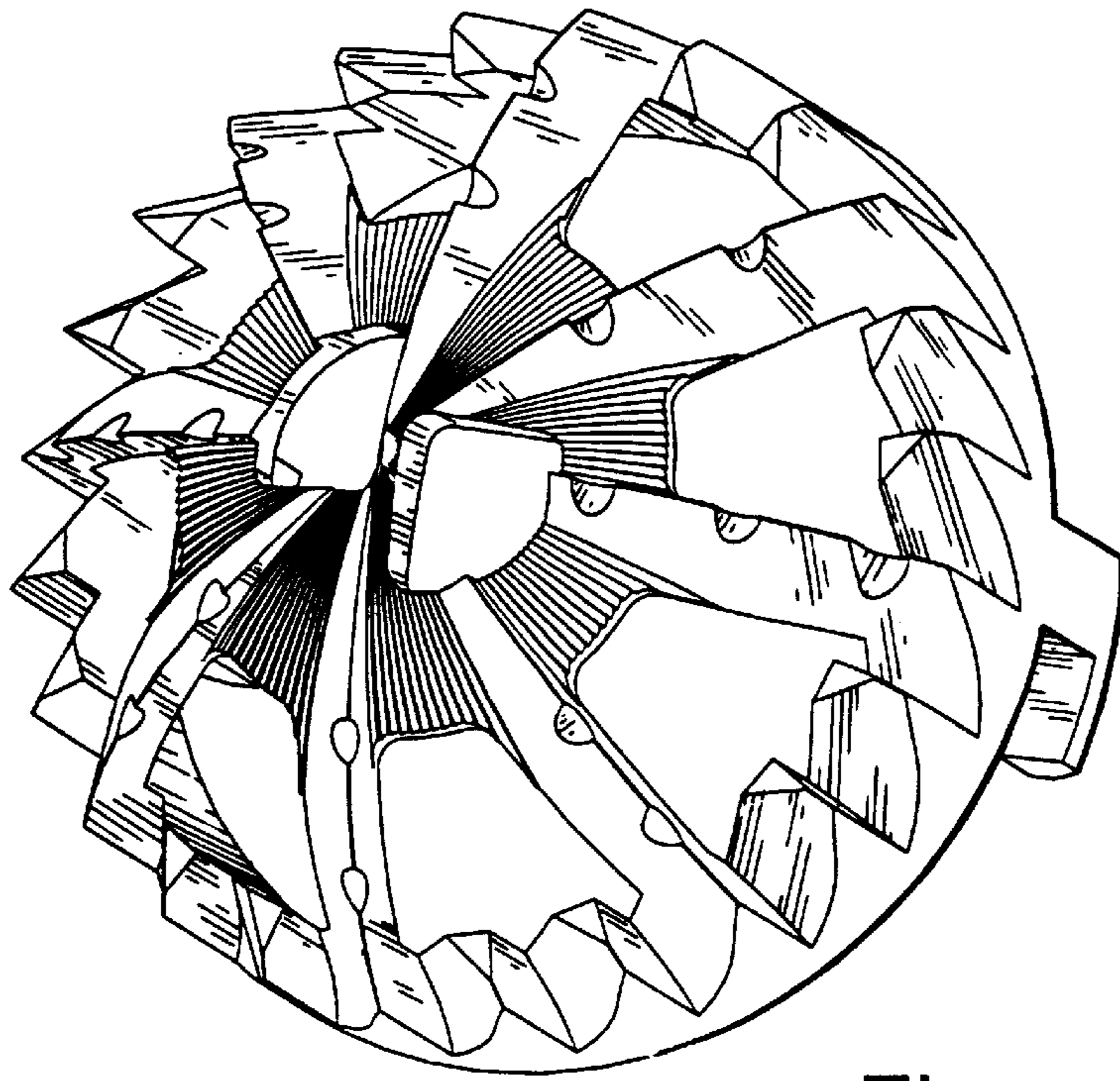


Figure. 1

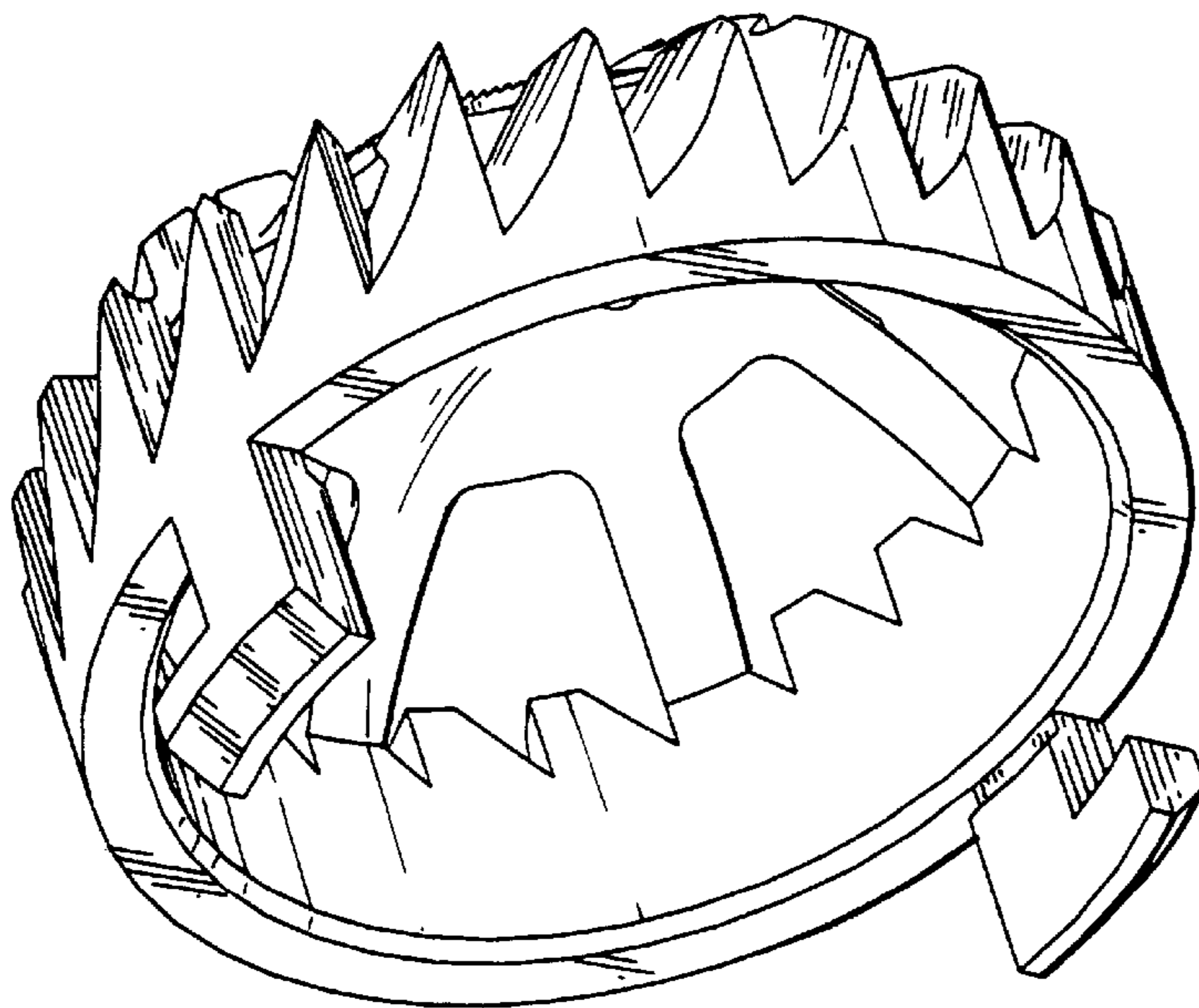


Figure. 2

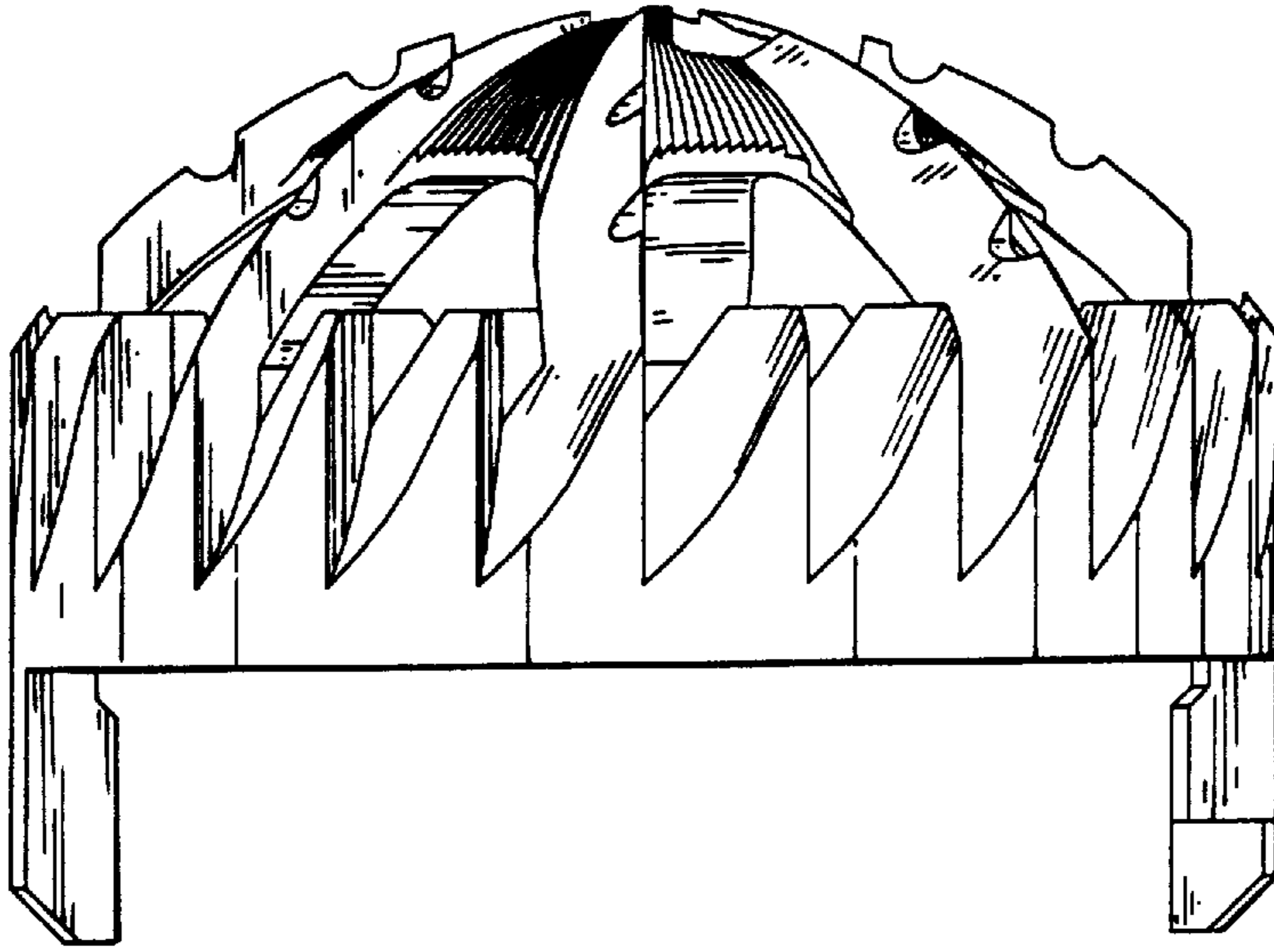


Figure. 3

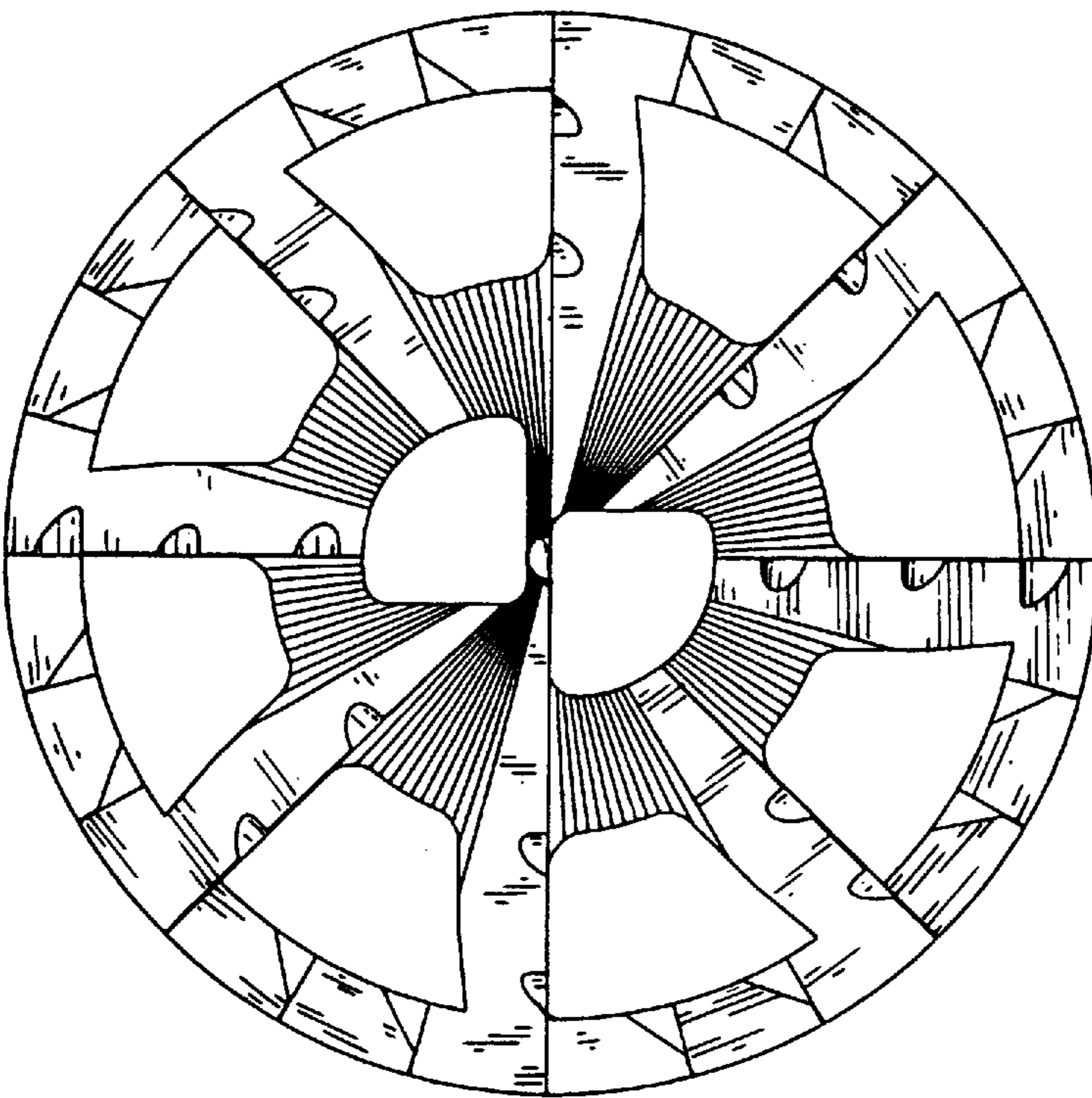


Figure. 4

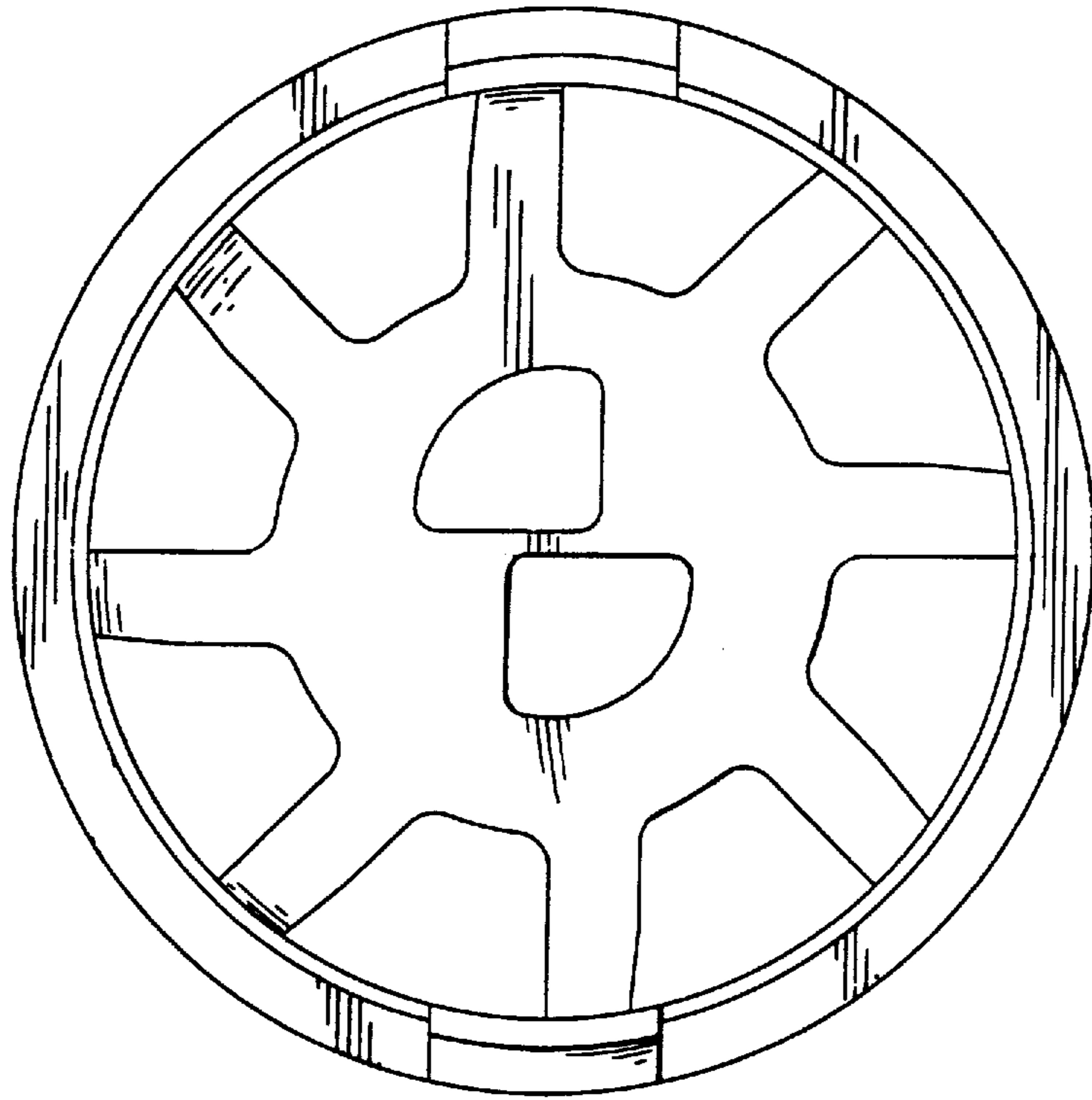


Figure. 5

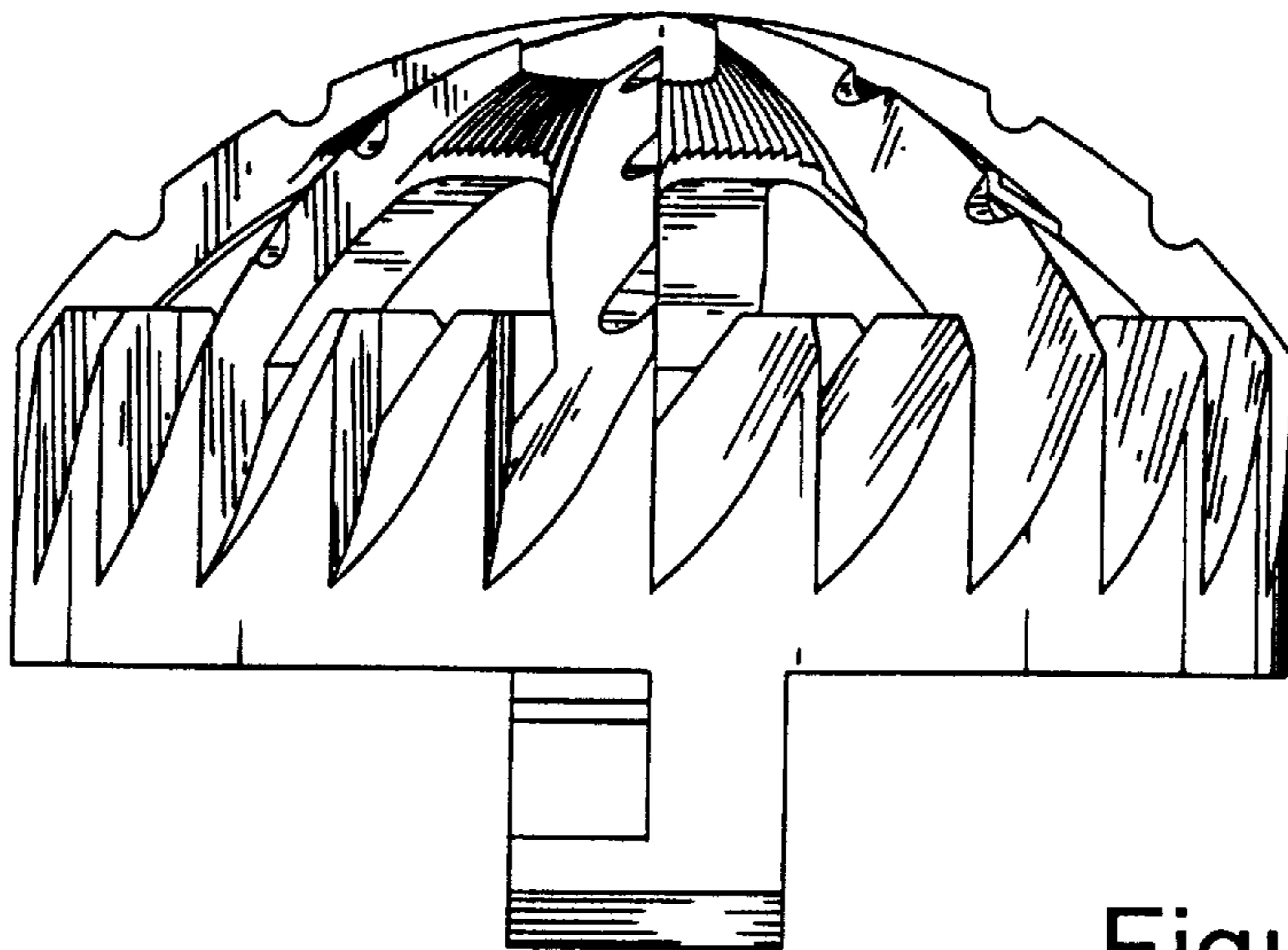


Figure. 6