



US00D400544S

United States Patent [19]

Allen

[11] Patent Number: **Des. 400,544**

[45] Date of Patent: ****Nov. 3, 1998**

[54] **GUARD FOR WALK BEHIND TROWEL**

[75] Inventor: **J. Dewayne Allen**, Paragould, Ark.

[73] Assignee: **Allen Engineering Corp.**, Paragould, Ark.

[**] Term: **14 Years**

[21] Appl. No.: **78,762**

[22] Filed: **Nov. 3, 1997**

[51] **LOC (6) Cl.** **15-99**

[52] **U.S. Cl.** **D15/28**

[58] **Field of Search** D8/1; D15/28;
404/96, 112

[56] **References Cited**

U.S. PATENT DOCUMENTS

3,936,212	2/1976	Holz, Sr. et al.	404/112
3,973,857	8/1976	Whiteman, Jr.	404/112
4,027,991	6/1977	Maass	404/112
4,046,483	9/1977	Sutherland	404/112
4,046,484	9/1977	Sutherland	404/112
4,232,980	11/1980	Tertinek et al.	404/112
4,629,359	12/1986	Sengupta	404/112

4,673,311	6/1987	Whiteman, Jr.	404/112
5,108,220	4/1992	Allen et al.	404/112
5,238,323	8/1993	Allen et al.	404/112 X
5,405,216	4/1995	Allen et al.	404/112
5,480,257	1/1996	Allen	404/112
5,480,258	1/1996	Allen	404/112

Primary Examiner—Holly Baynham
Attorney, Agent, or Firm—Stephen D. Carver

[57] **CLAIM**

The ornamental design for a guard for walking behind a trowel, as shown.

DESCRIPTION

FIG. 1 is a front, isometric view of my new design; FIG. 2 is a reduced scale top plan view thereof; FIG. 3 is a front elevational view taken generally from the front of FIG. 2; FIG. 4 is a rear elevational view taken generally from the rear of FIG. 2; FIG. 5 is a left side elevational view thereof; FIG. 6 is a right elevational view thereof; and, FIG. 7 is a bottom plan view.

1 Claim, 3 Drawing Sheets

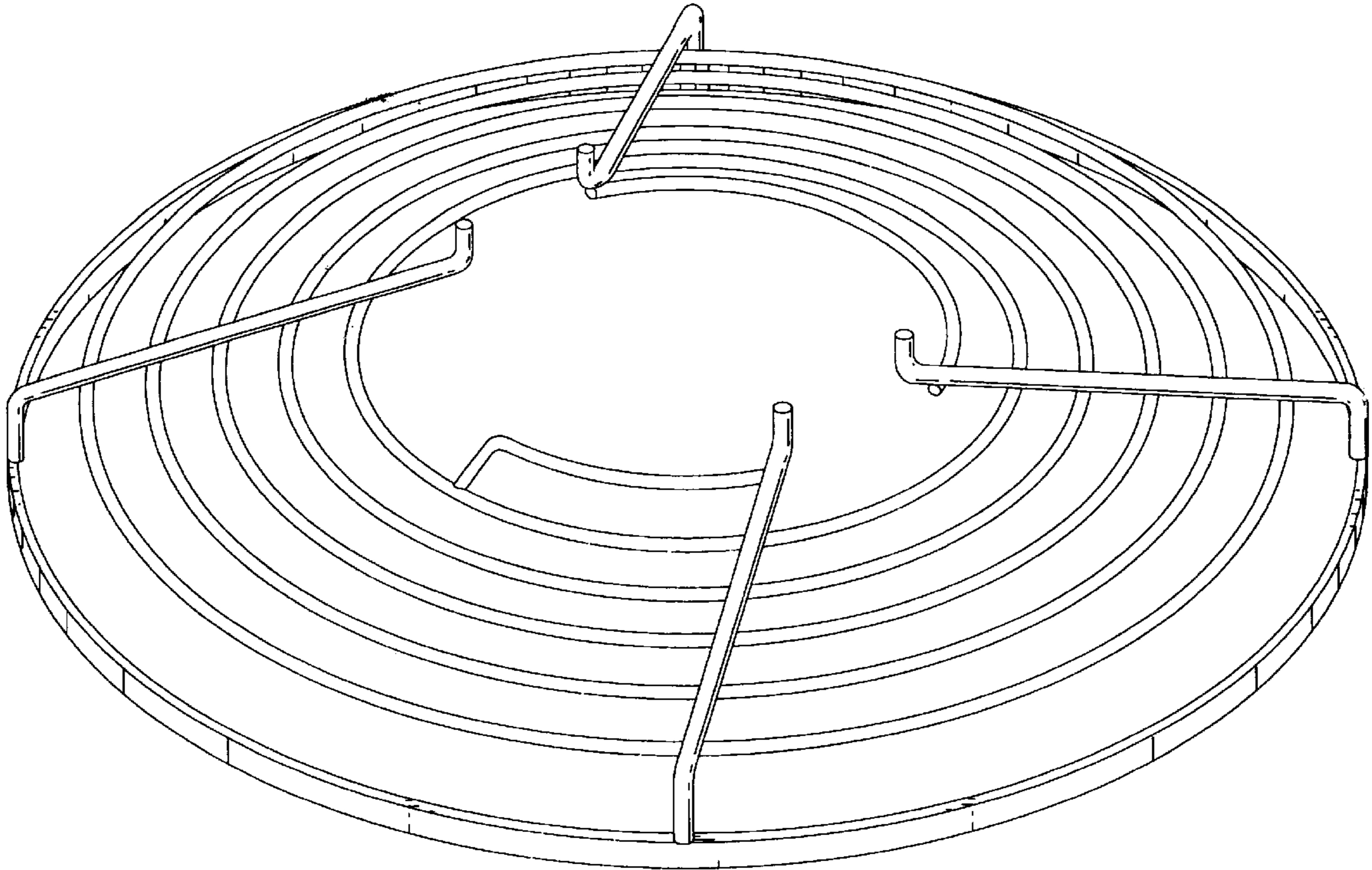


FIG. 1

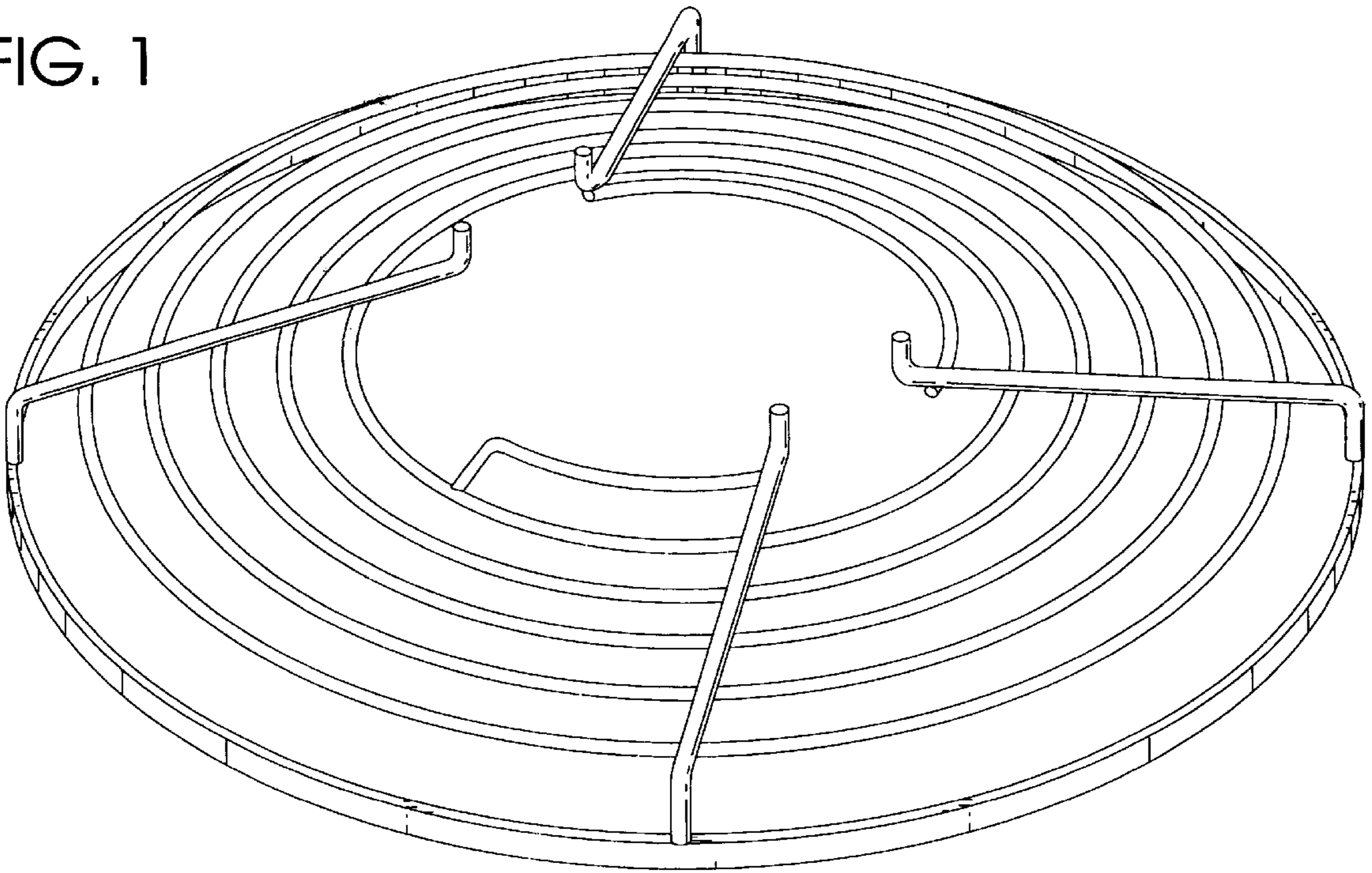


FIG. 2

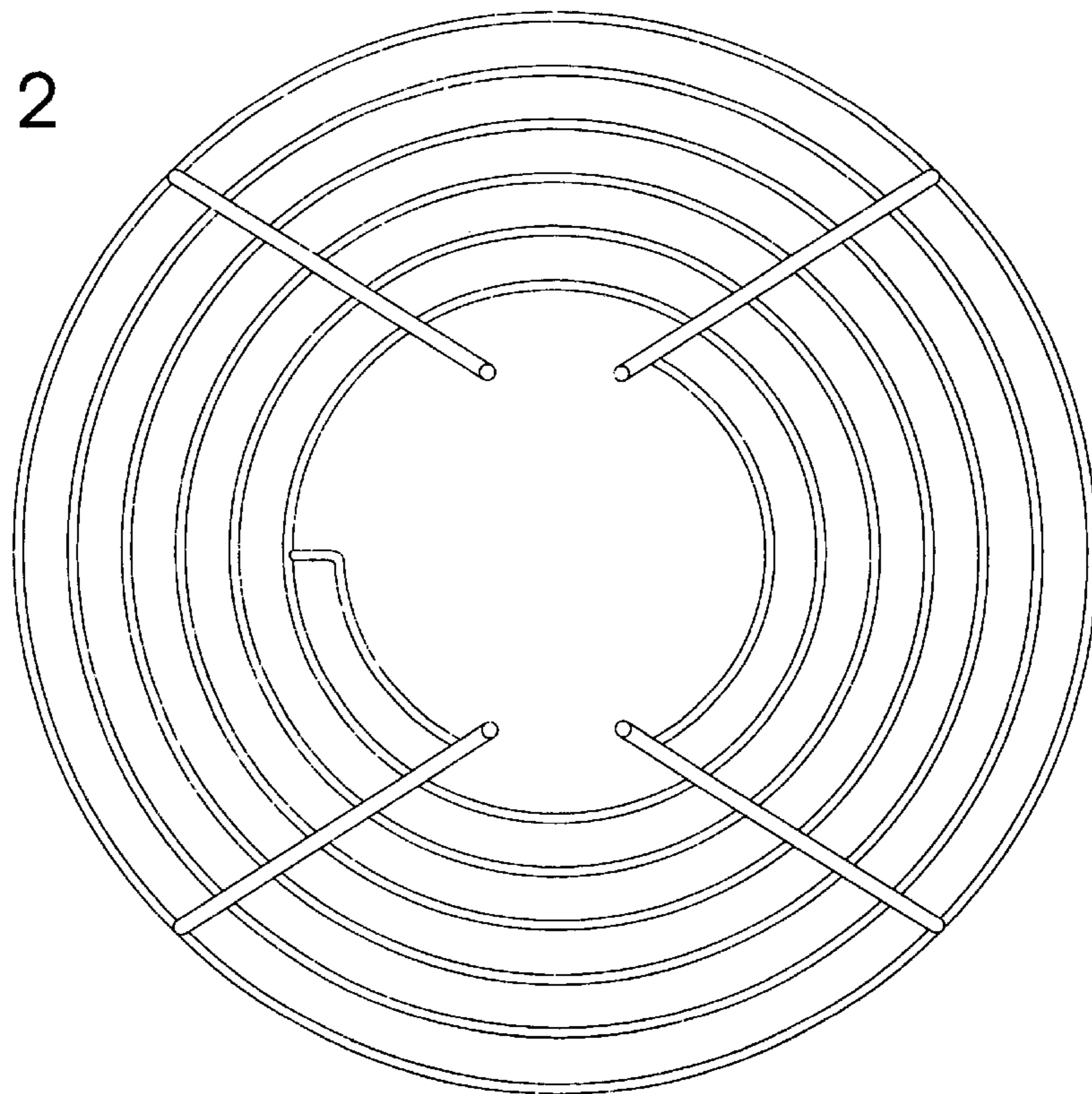


FIG. 3

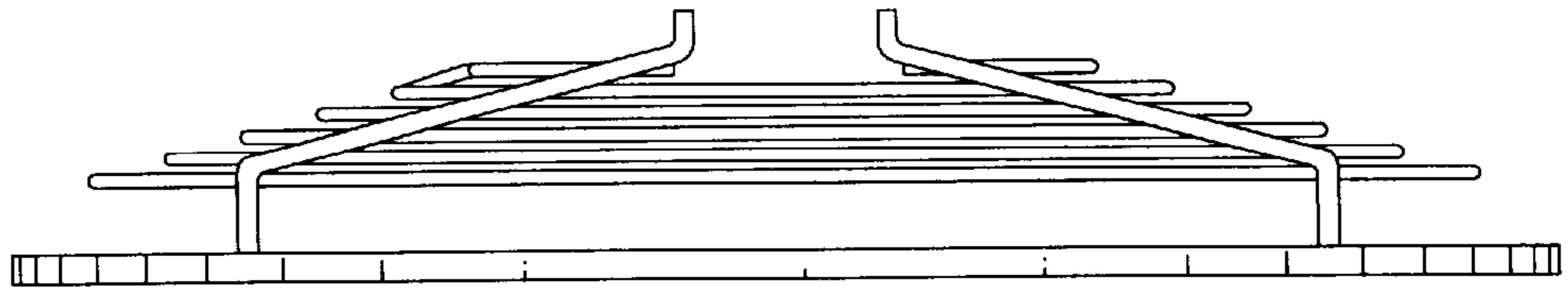


FIG. 4

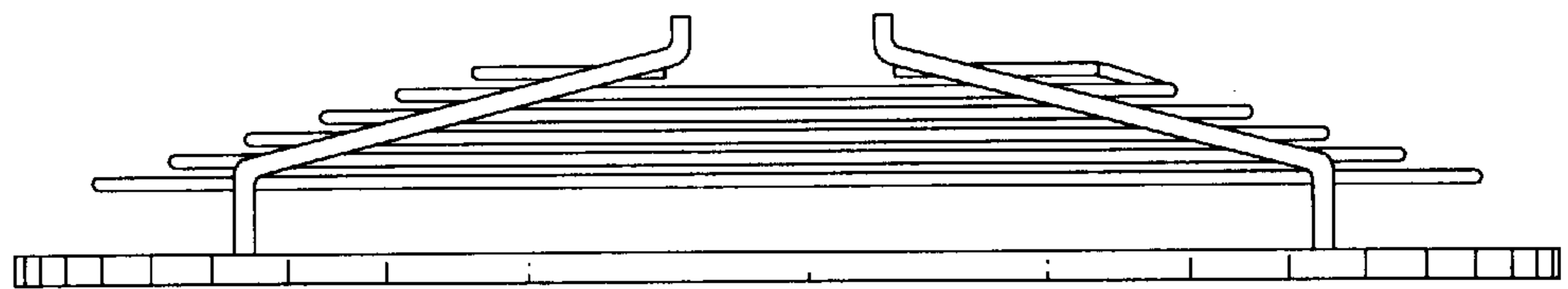


FIG. 5

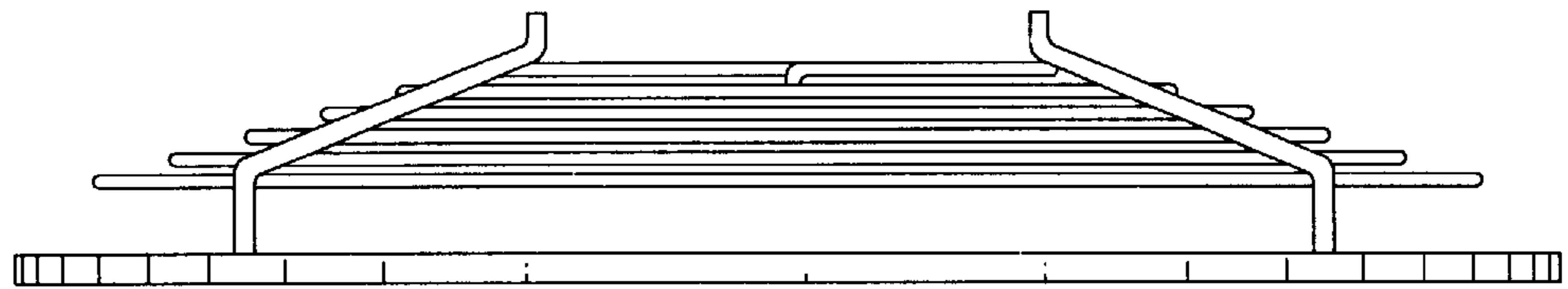


FIG. 6

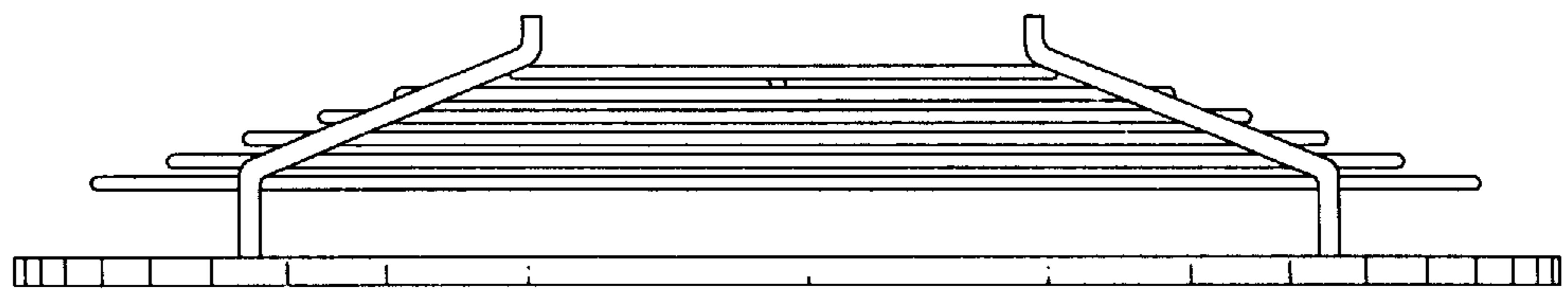


FIG. 7

