



US00D400542S

United States Patent [19]

Allen

[11] **Patent Number: Des. 400,542**

[45] **Date of Patent: **Nov. 3, 1998**

[54] **STRETCH FRAME TWIN ENGINE RIDING TROWEL**

[75] Inventor: **J. Dewayne Allen**, Paragould, Ark.

[73] Assignee: **Allen Engineering Corp.**, Paragould, Ark.

[**] Term: **14 Years**

[21] Appl. No.: **64,277**

[22] Filed: **Dec. 26, 1996**

[51] **LOC (6) Cl. 15-04**

[52] **U.S. Cl. D15/10**

[58] **Field of Search D15/10; 404/85, 404/96, 112**

[56] **References Cited**

U.S. PATENT DOCUMENTS

D. 323,510	1/1992	Allen et al.	D15/10
D. 344,736	3/1994	Allen et al.	D15/10
2,898,826	8/1959	Livermont	404/112

3,936,212	2/1976	Holz, Sr. et al.	404/112
4,858,114	8/1989	Artzberger	404/112
5,108,220	4/1992	Allen et al.	404/112
5,238,323	8/1993	Allen et al.	404/85
5,480,257	1/1996	Allen	404/112
5,480,258	1/1996	Allen	404/112

Primary Examiner—Sandra L. Morris
Attorney, Agent, or Firm—Stephen D. Carver

[57] **CLAIM**

The ornamental design for a stretch frame twin engine riding trowel, as shown and described.

DESCRIPTION

FIG. 1 is a left front perspective view of the stretch frame twin engine riding trowel, showing my new design; FIG. 2 is a right rear perspective view thereof; FIG. 3 is a front elevational view thereof; FIG. 4 is a rear elevational view thereof; FIG. 5 is a right side perspective view thereof; and, FIG. 6 is a left side perspective view thereof.

1 Claim, 4 Drawing Sheets

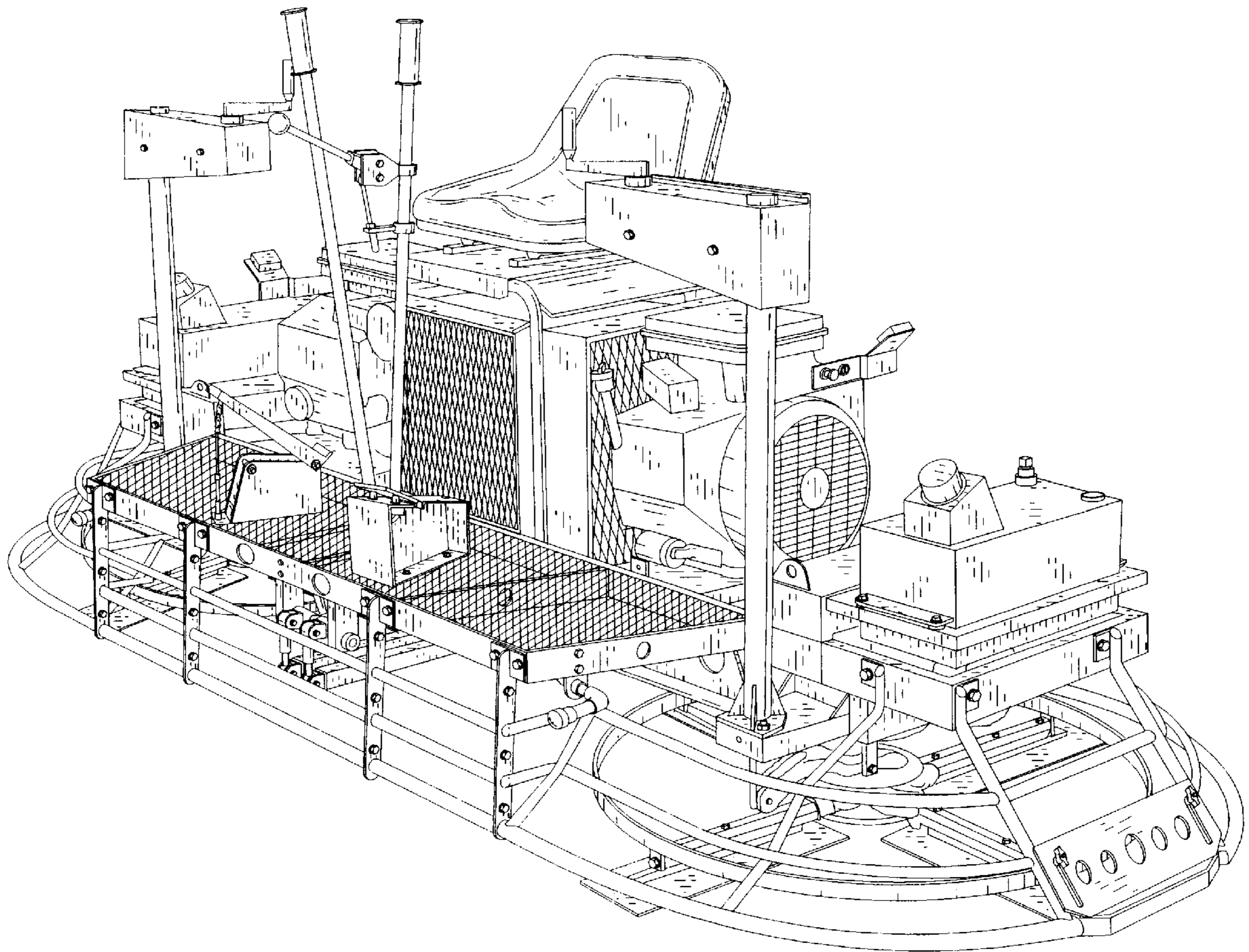


FIG. 1

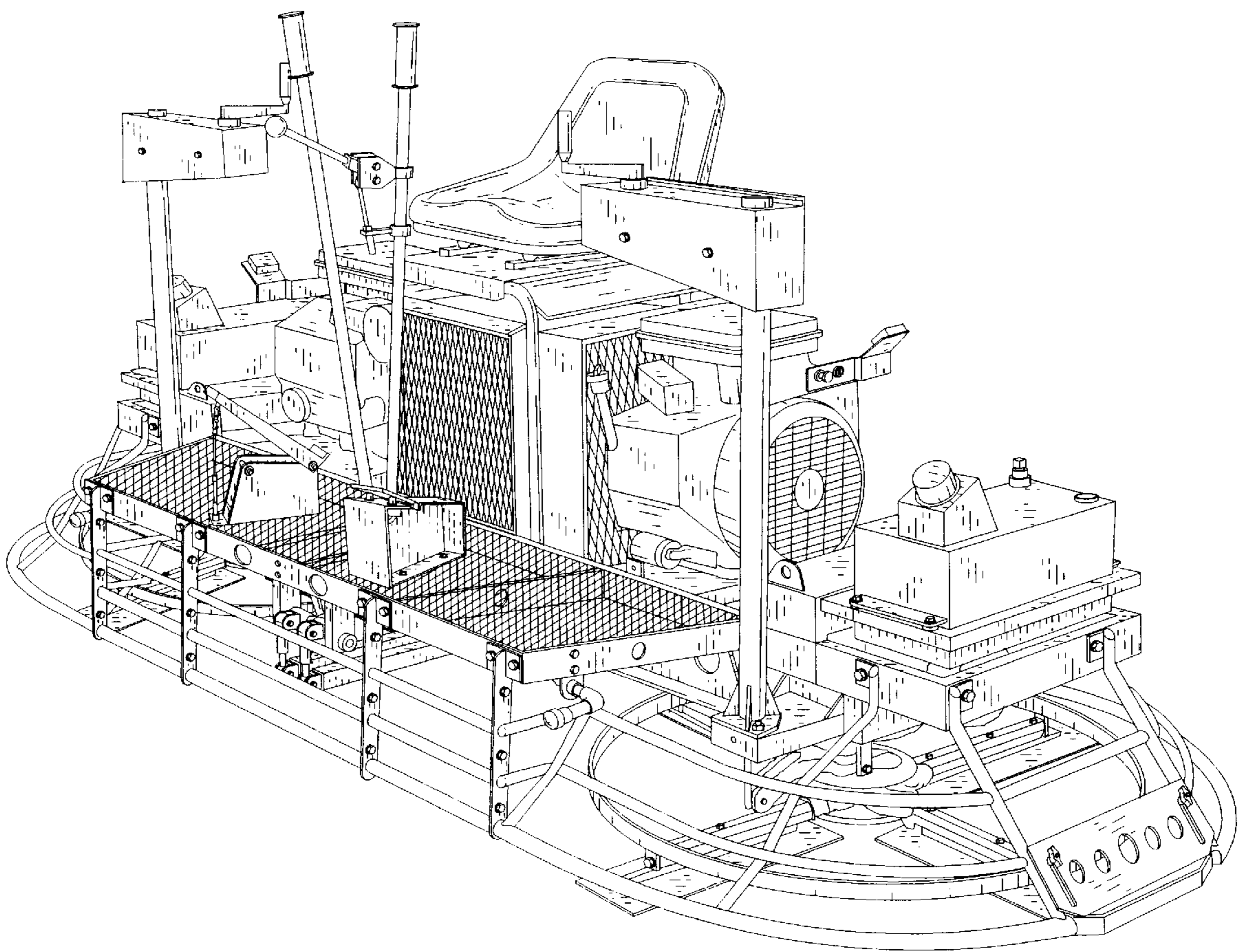


FIG. 2

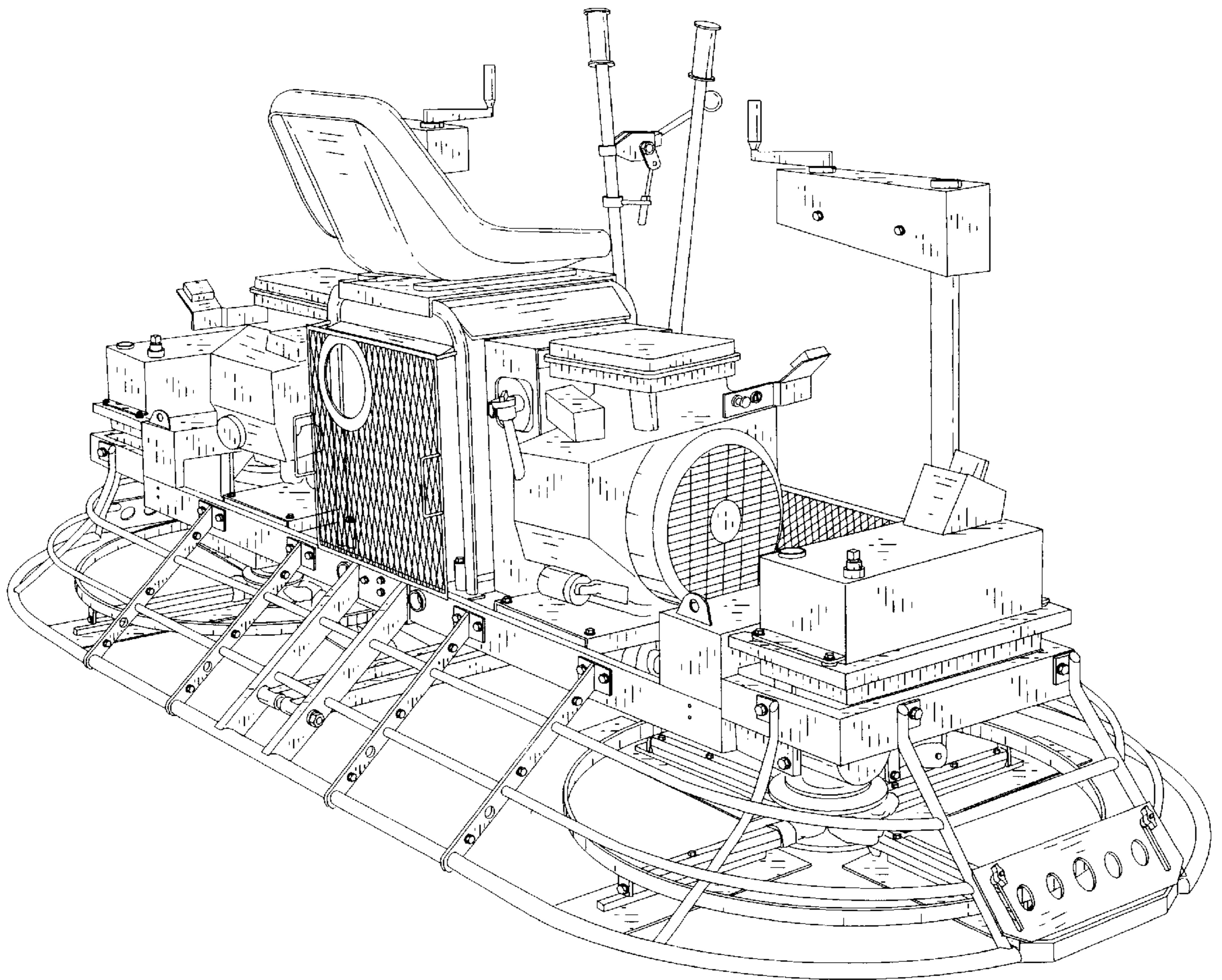


FIG. 3

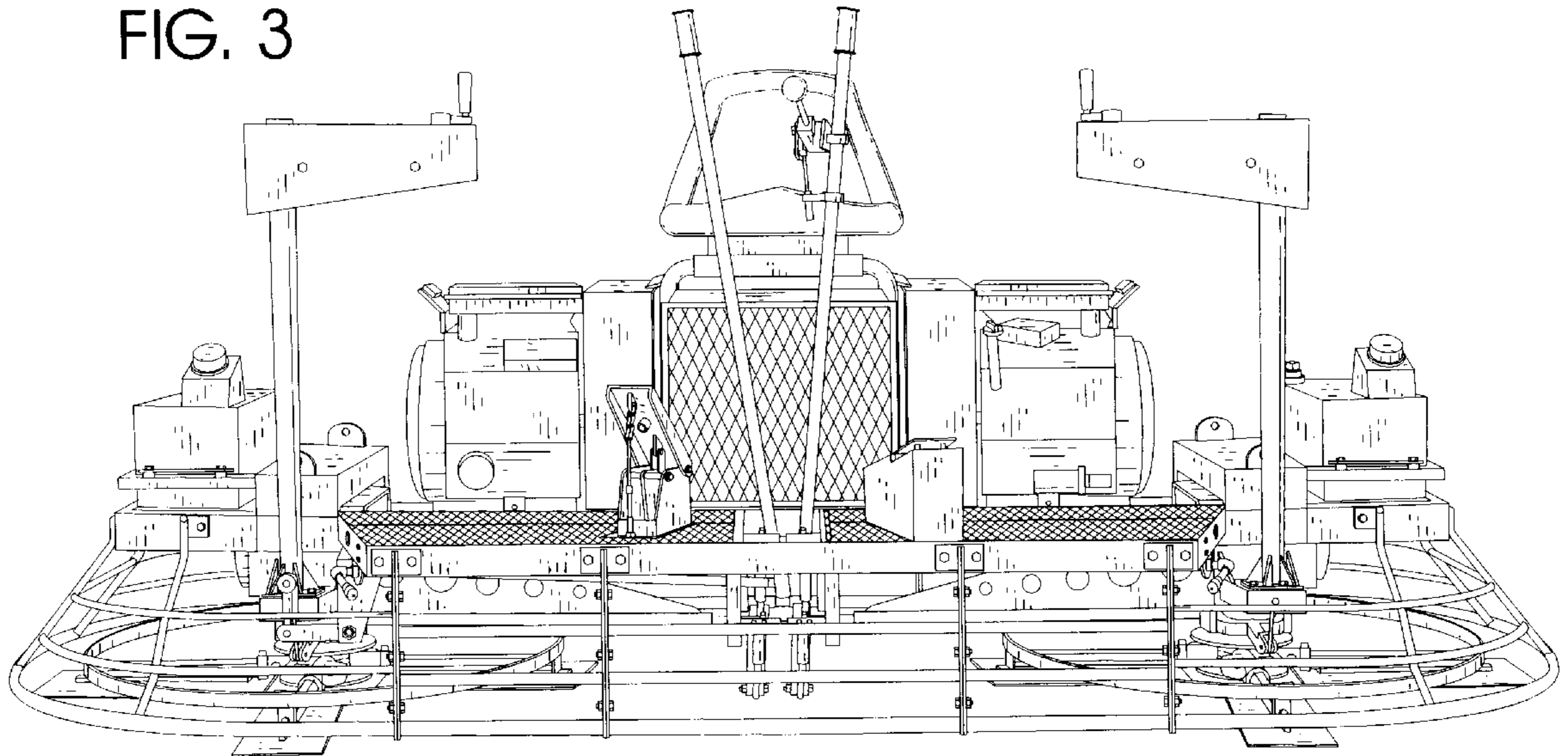


FIG. 4

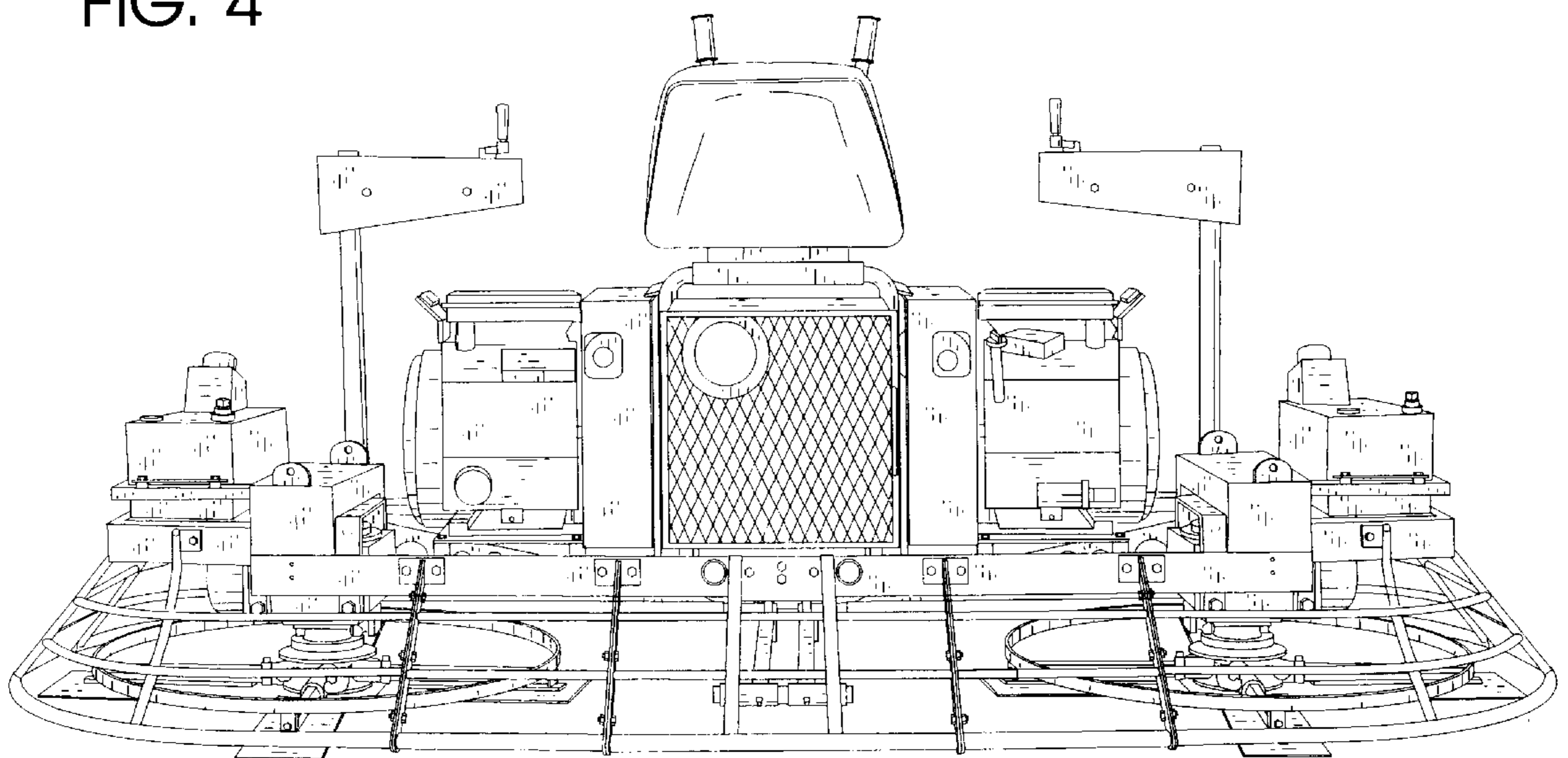


FIG. 5

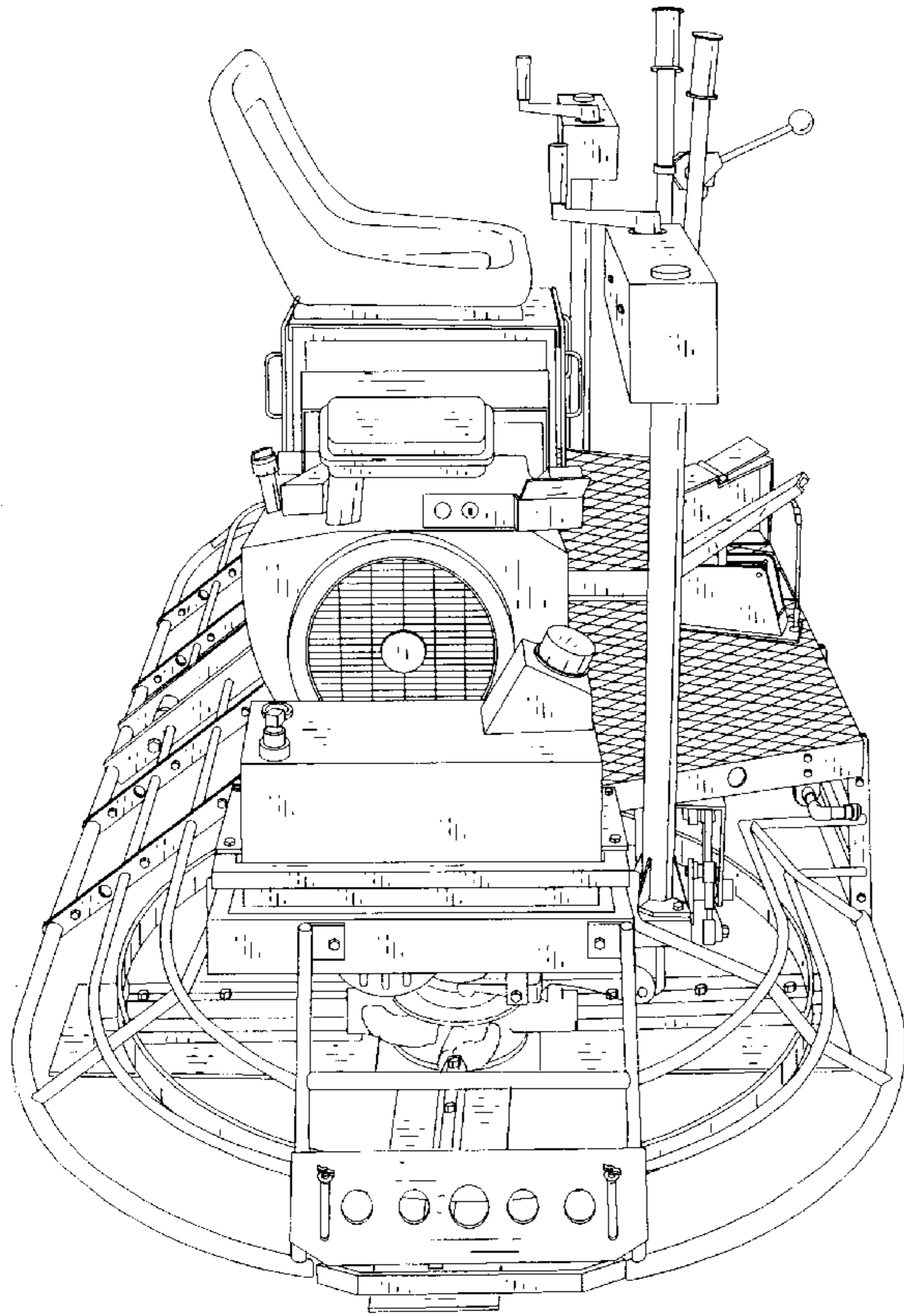


FIG. 6

