



US00D400539S

United States Patent [19] Hippen

[11] **Patent Number: Des. 400,539**

[45] **Date of Patent: **Nov. 3, 1998**

[54] **REMOTE CONTROLLER WITH A CRYSTAL MONITOR**

Attorney, Agent, or Firm—Sixbey, Friedman, Leedom & Ferguson; David S. Safran

[75] Inventor: **Jan Hippen**, Portland, Oreg.

[57] **CLAIM**

[73] Assignee: **Kenwood Corporation**, Tokyo, Japan

The ornamental design for an remote controller with a crystal monitor, as shown and described.

[**] Term: **14 Years**

DESCRIPTION

[21] Appl. No.: **52,405**

FIG. 1 is a perspective view of my design as seen from the right front and above;

[22] Filed: **Mar. 29, 1996**

FIG. 2 is a front elevational view of my design;

[51] **LOC (6) Cl.** **14-03**

[52] **U.S. Cl.** **D14/218**

[58] **Field of Search** D14/218, 217;
D10/104, 106; D13/168; 348/734; 455/151.1,
151.2, 151.3, 151.4, 352-355

FIG. 3 is a rear elevational view of my design;

FIG. 4 is a right side elevational view of my design;

FIG. 5 is a bottom plan view of my design;

FIG. 6 is a top plan view of my design;

[56] **References Cited**

U.S. PATENT DOCUMENTS

D. 307,432	4/1990	Usami et al.	D14/218
D. 319,430	8/1991	Cheng	D13/168
D. 364,850	12/1995	Estrada et al.	D14/100
D. 366,459	1/1996	Kurokawa et al.	D13/168 X
4,755,883	7/1988	Uehira	348/734
5,109,222	4/1992	Welty	455/352

FIG. 7 is a perspective view corresponding to that of FIG. 1, but showing the design as it appears in use on an audio/visual amplifier, the audio/visual amplifier being shown in phantom outline; and,

FIG. 8 is a right side elevational view of my design.

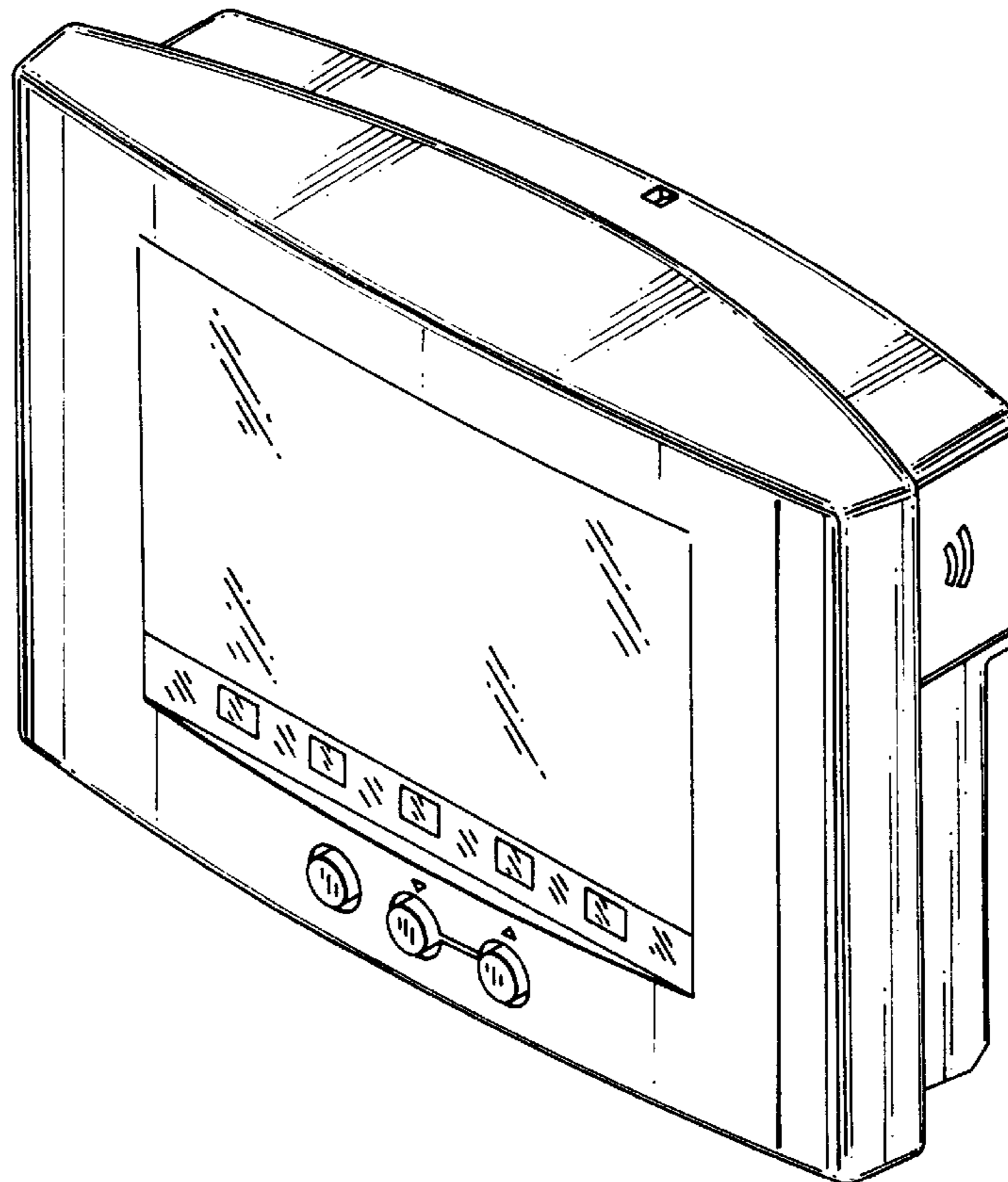
The broken line environmental showing is for illustrative purposes only and does not form part of the claimed design.

OTHER PUBLICATIONS

Video, May 1993, p. 12, Sharp's View Cam LCD Screen.
Video, Oct. 1994, p. 58, Magnavox "ghost-canceller".

Primary Examiner—Lucy Lieberman

1 Claim, 6 Drawing Sheets



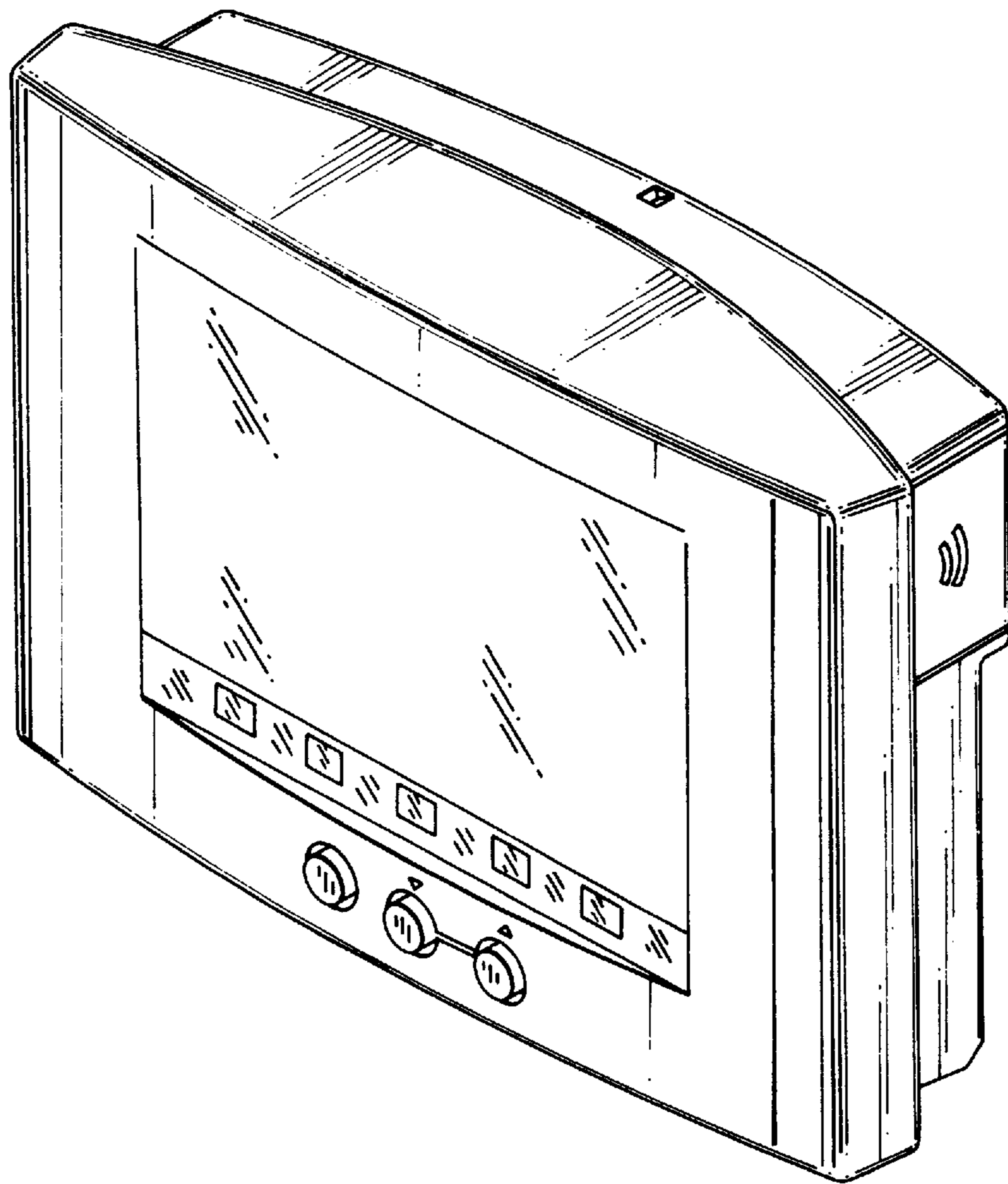


FIG. 1

FIG. 4

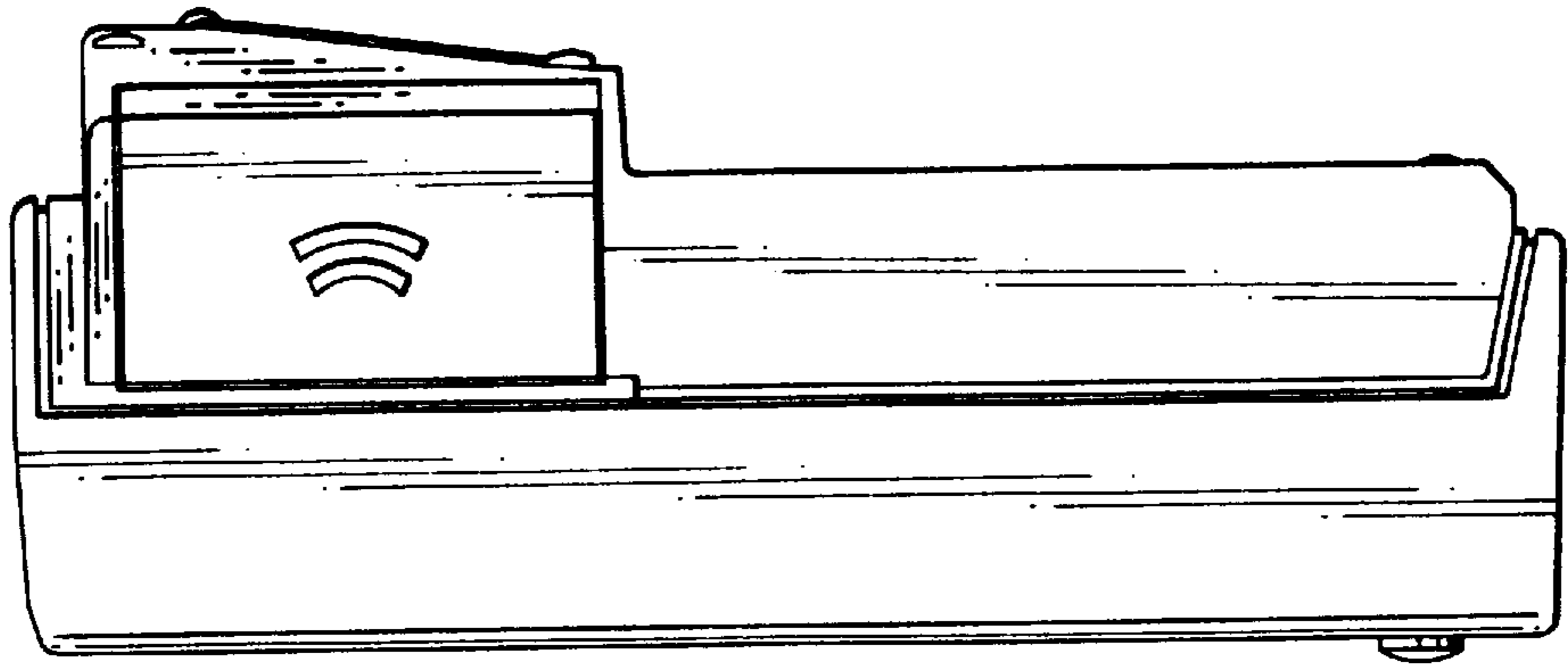


FIG. 2

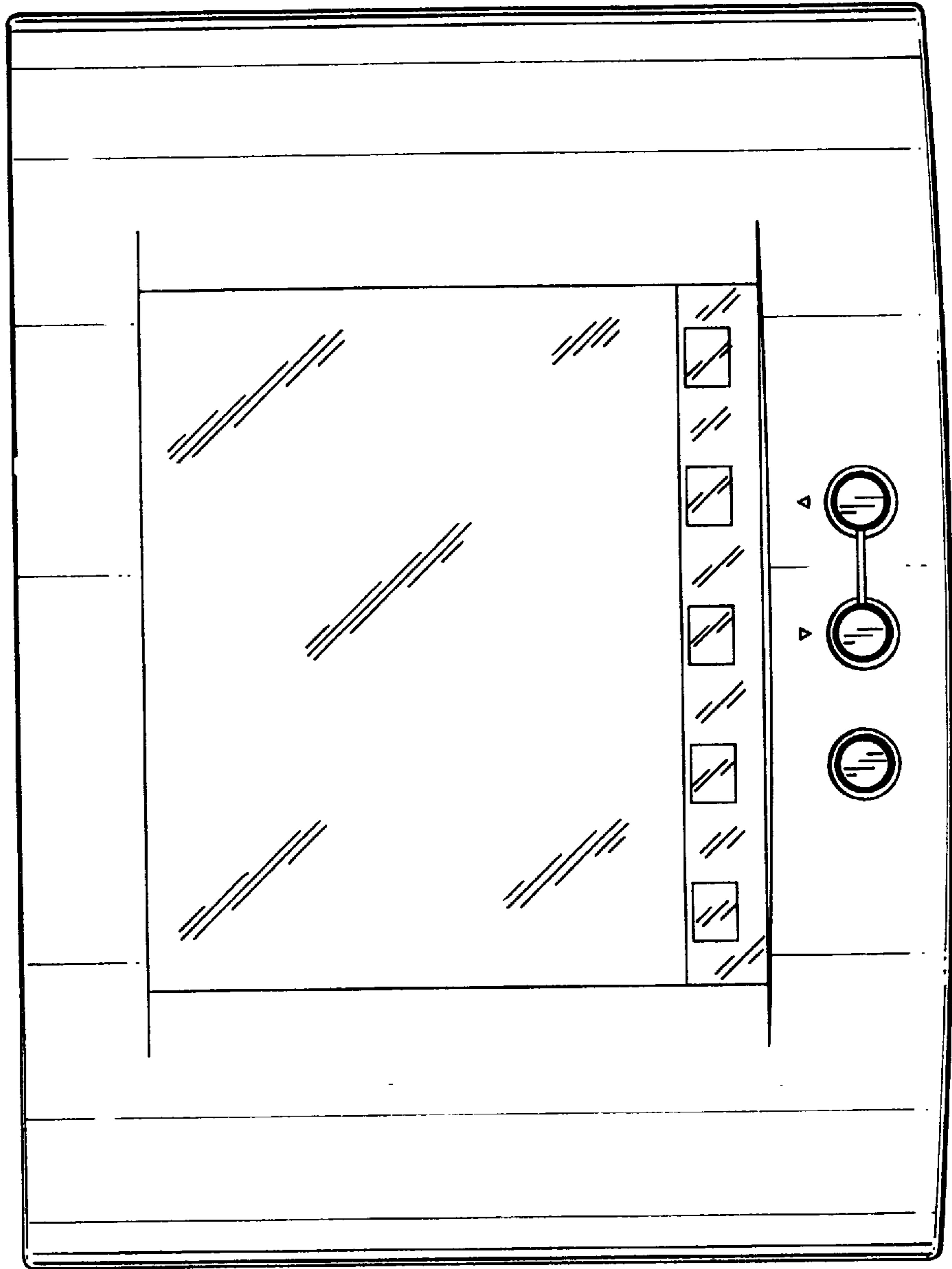
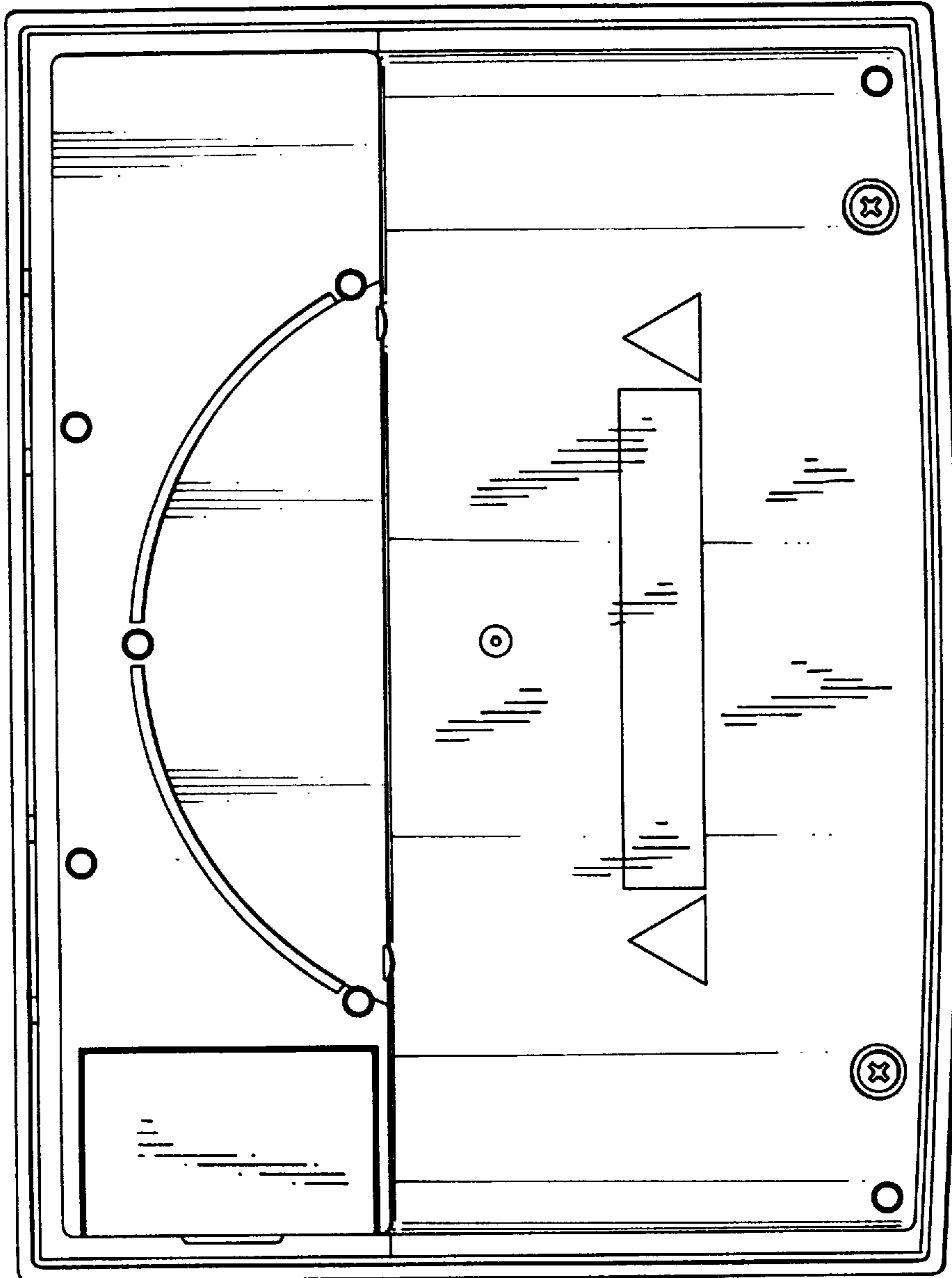


FIG. 3



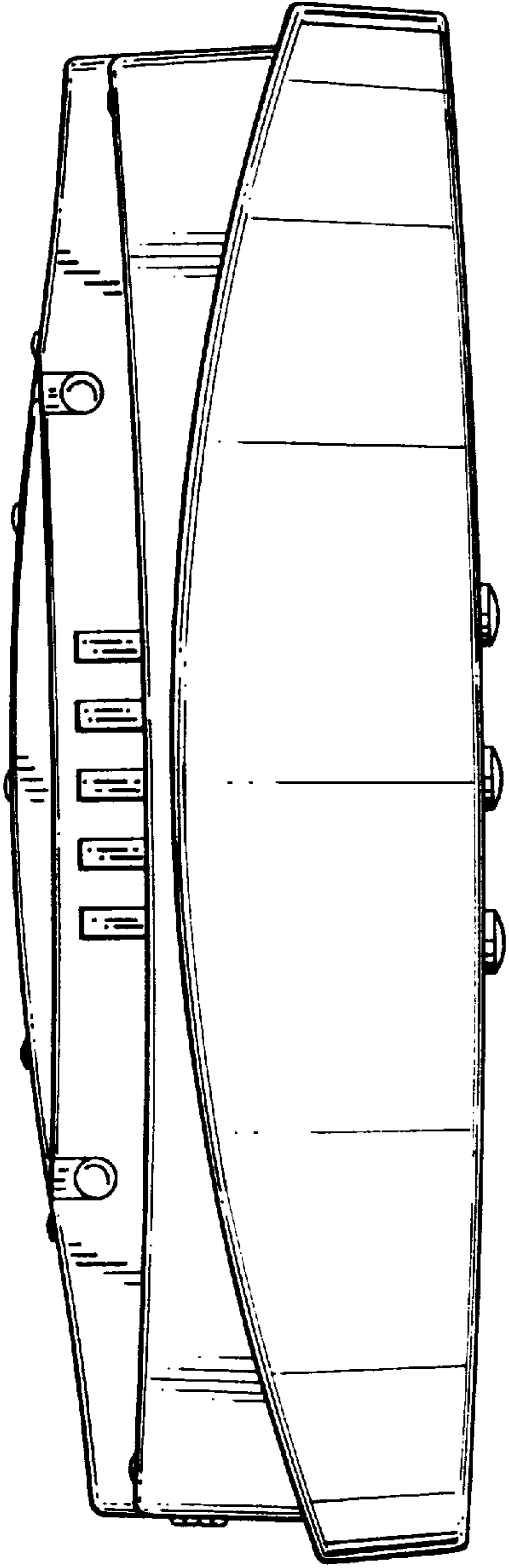


FIG. 5

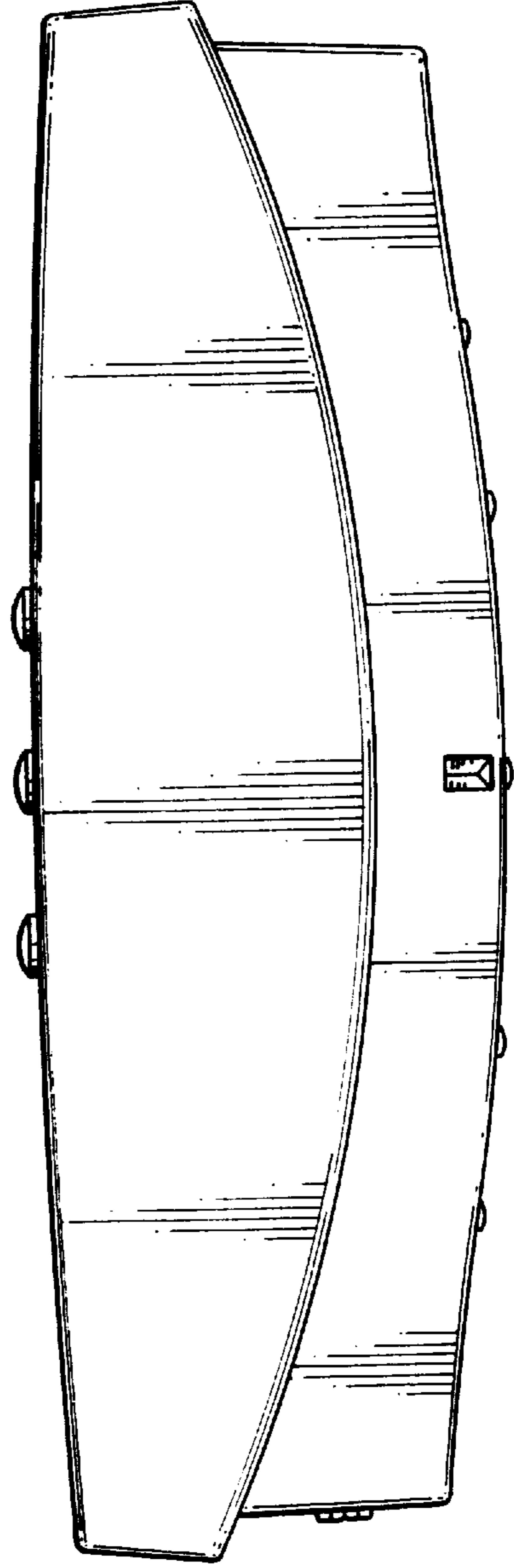


FIG. 6

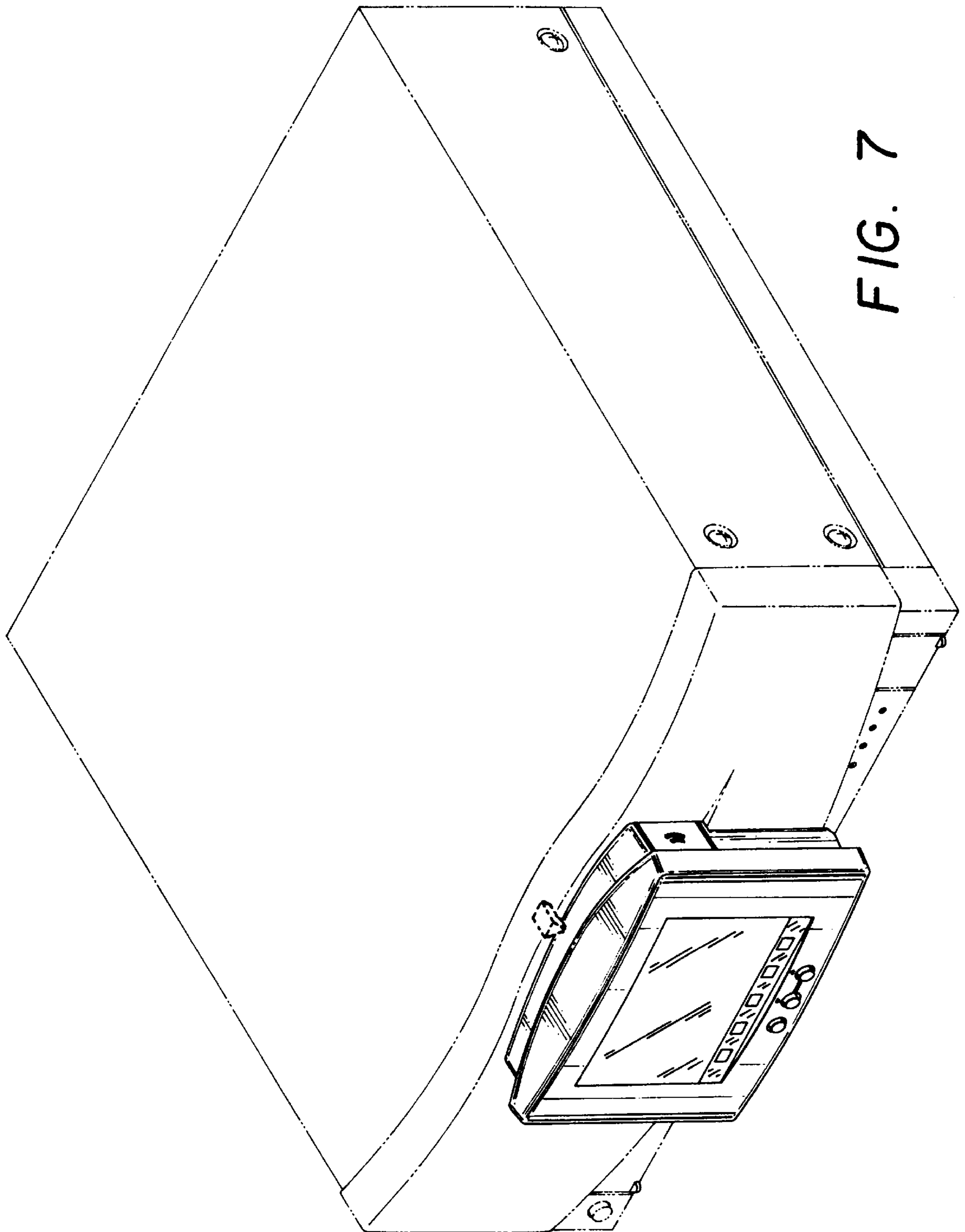


FIG. 7

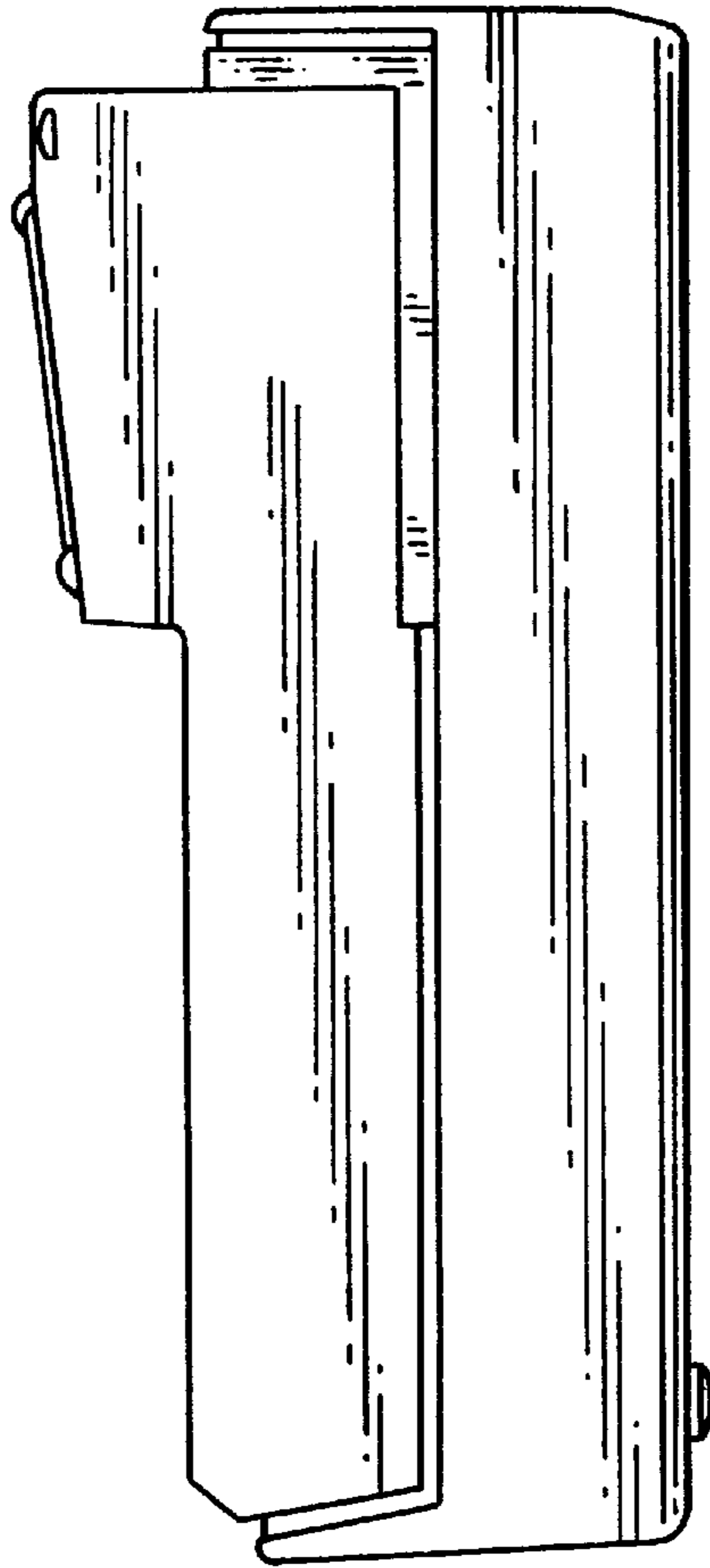


FIG. 8