



US00D400532S

United States Patent [19] Hattori

[11] Patent Number: Des. 400,532

[45] Date of Patent: **Nov. 3, 1998

[54] **DIGITAL AUDIO DISC PLAYER COMBINED WITH RADIO RECEIVER AND TAPE RECORDER**

[75] Inventor: Naofumi Hattori, Tokyo, Japan

[73] Assignee: Sony Kabushiki Kaisha, Tokyo, Japan

[**] Term: 14 Years

[21] Appl. No.: 73,976

[22] Filed: Jul. 21, 1997

[51] LOC (6) Cl. 14-01

[52] U.S. Cl. D14/168

[58] Field of Search D14/124, 156,
D14/160, 164-165, 168-171, 188, 192-198;
455/344, 350, 351

[56] **References Cited**

U.S. PATENT DOCUMENTS

D. 273,785	5/1984	Davidson	D14/171
D. 313,597	1/1991	Takimoto	D14/168 X
D. 339,339	9/1993	Pepall	D14/171
D. 339,345	9/1993	Fuke	D14/168
5,146,618	9/1992	Wenner	455/347 X

Primary Examiner—Ted Shooman
Assistant Examiner—Nanda Bondade
Attorney, Agent, or Firm—Morgan & Finnegan LLP

[57] **CLAIM**

We claim the ornamental design for the digital audio disc player combined with radio receiver and tape recorder, as shown and described.

DESCRIPTION

FIG. 1 is a front perspective view of the digital audio disc player combined with radio receiver and tape recorder in accordance with the present invention;

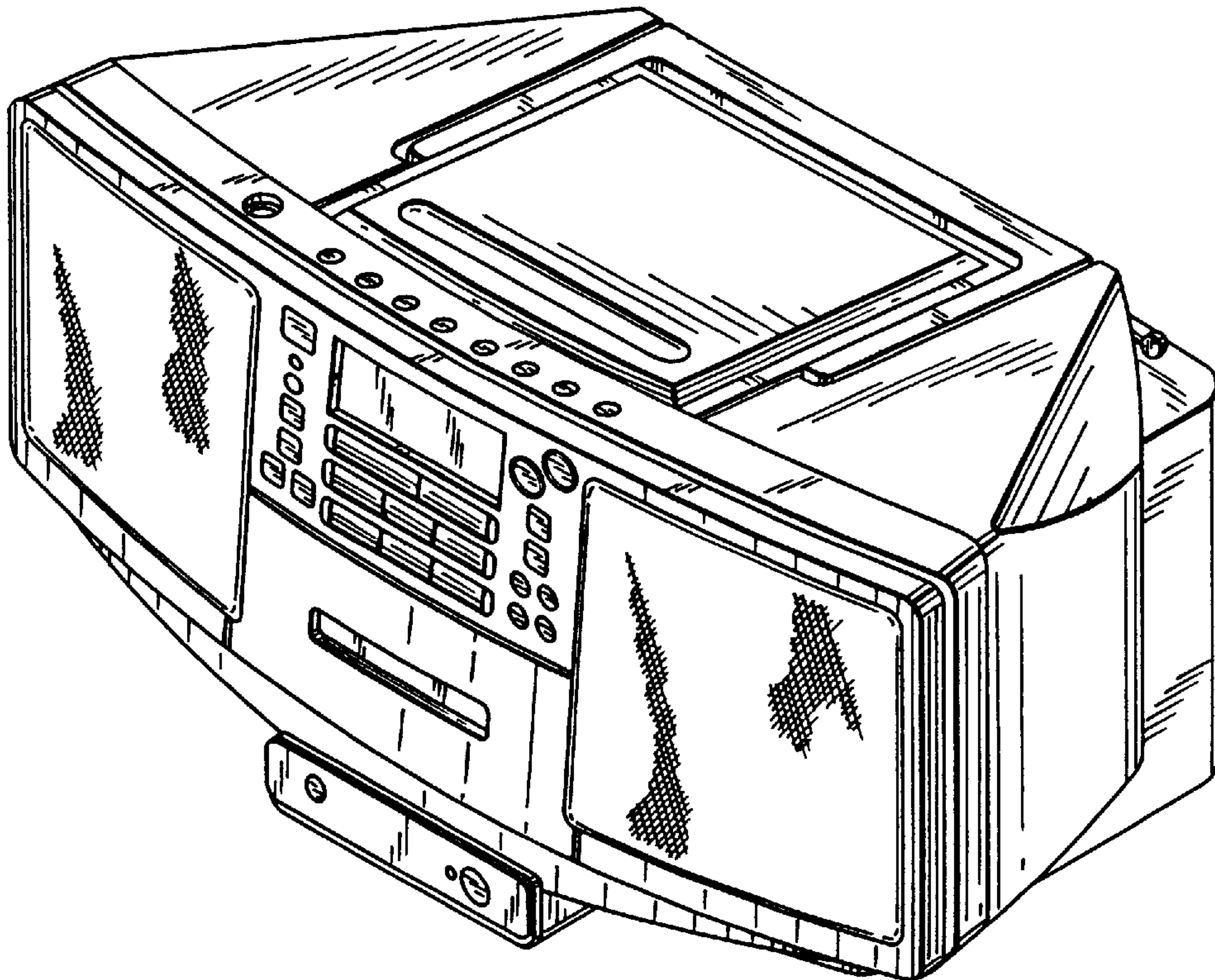
FIG. 2 is a front perspective view of the digital audio disc player combined with radio receiver and tape recorder of FIG. 1 shown in an open and using position, the undisclosed inside of the digital audio disc player combined with radio receiver and tape recorder form no part of the claimed design;

FIG. 3 is a front elevation view of the digital audio disc player combined with radio receiver and tape recorder of FIG. 1;

FIG. 4 is a top plan view of the digital audio disc player combined with radio receiver and tape recorder of FIG. 1; FIG. 5 is a bottom plan view of the digital audio disc player combined with radio receiver and tape recorder of FIG. 1; FIG. 6 is a rear elevation view of the digital audio disc player combined with radio receiver and tape recorder of FIG. 1; FIG. 7 is a left side elevation view of the digital audio disc player combined with radio receiver and tape recorder of FIG. 1 ; and,

FIG. 8 is a right side elevation view of the digital audio disc player combined with radio receiver and tape recorder of FIG. 1.

1 Claim, 5 Drawing Sheets



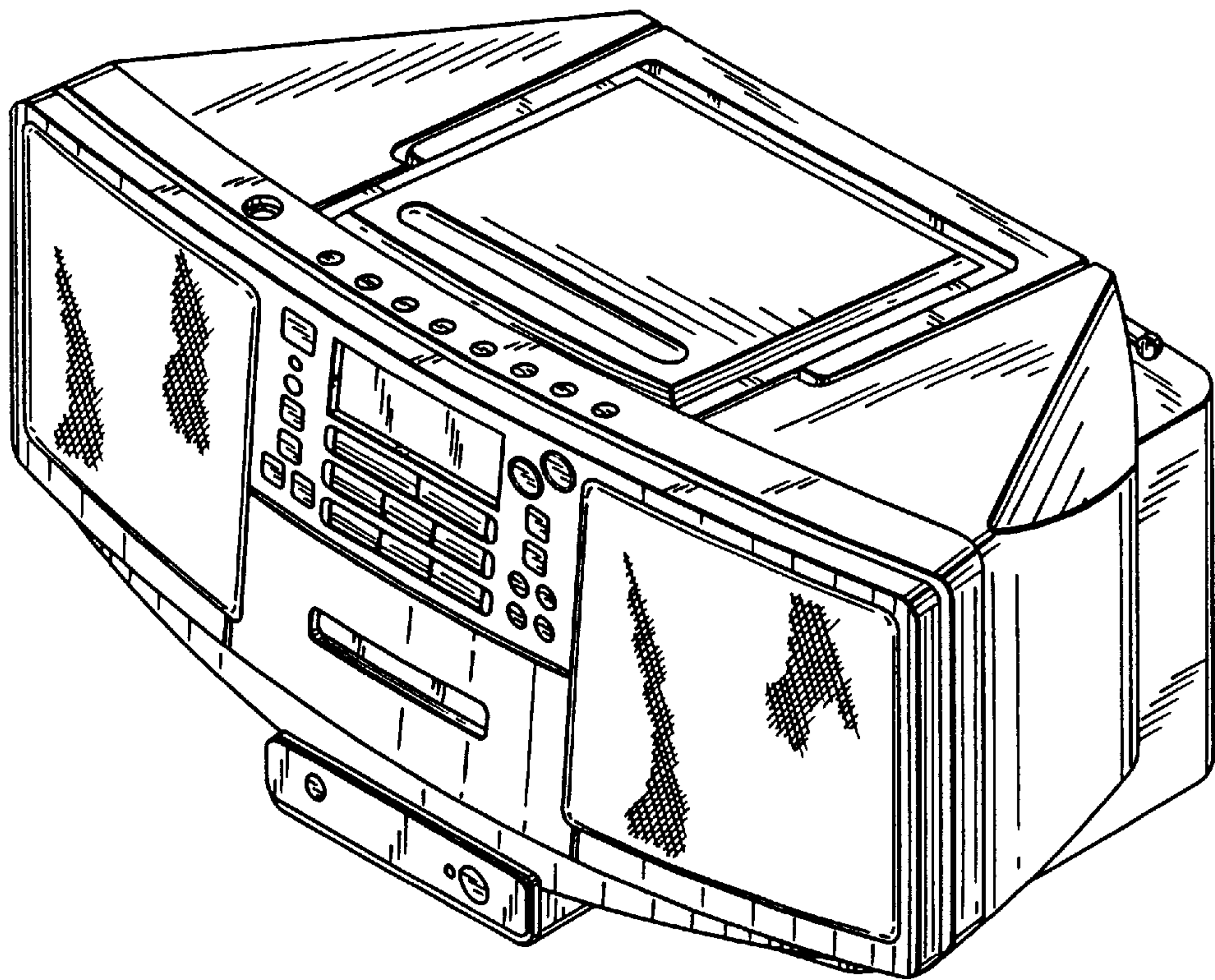


FIG. 1

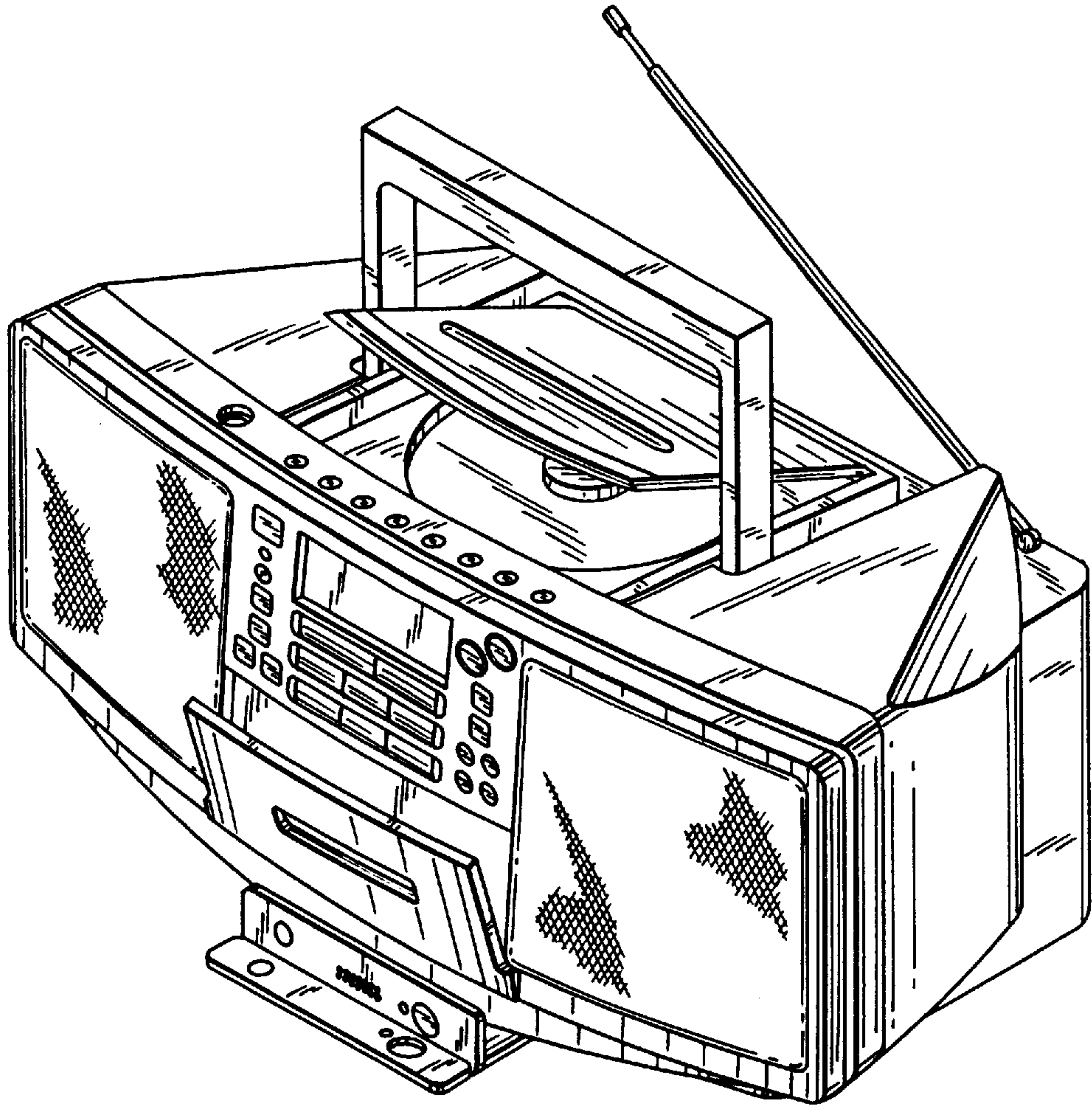


FIG.2

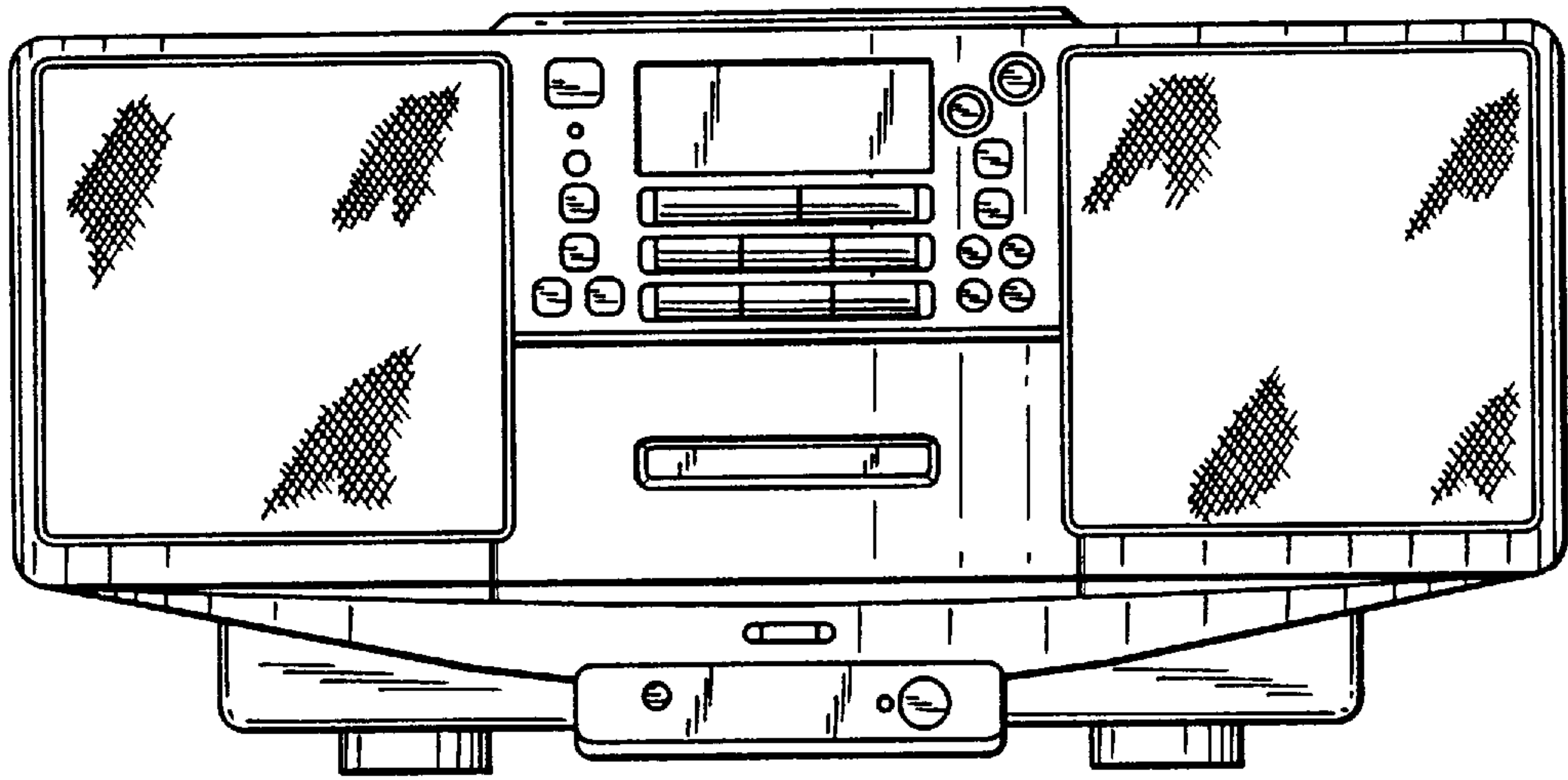


FIG.3

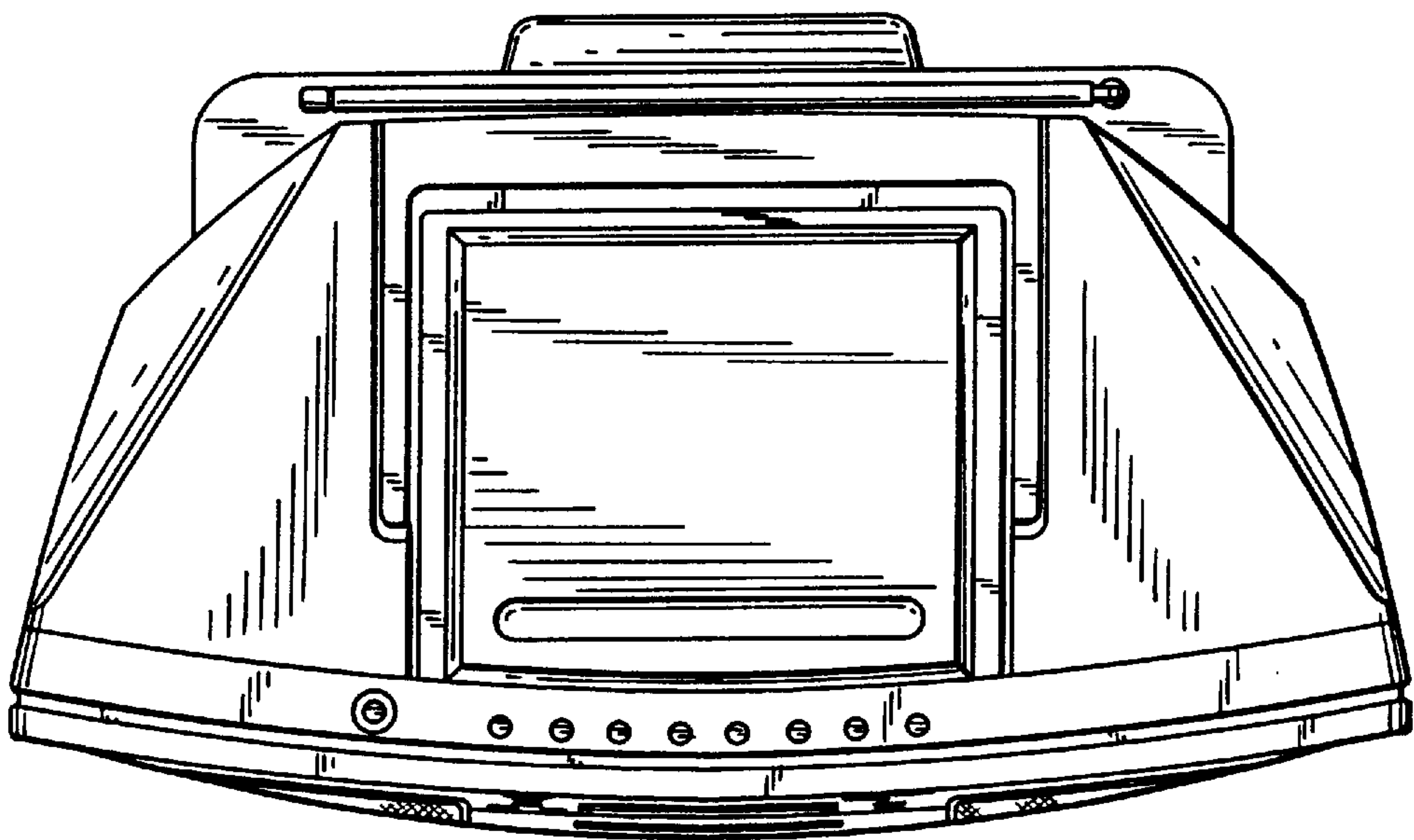


FIG.4

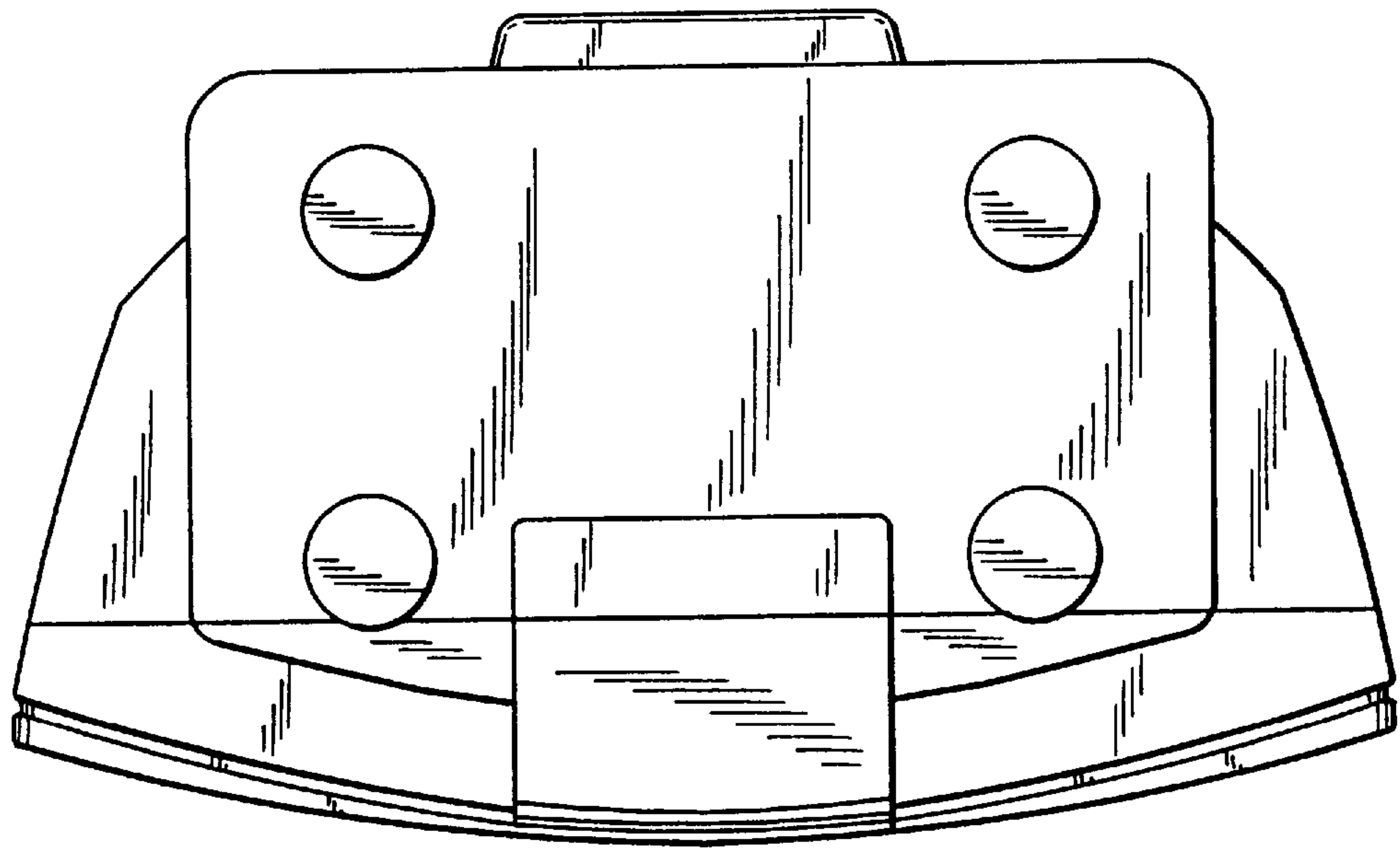


FIG. 5

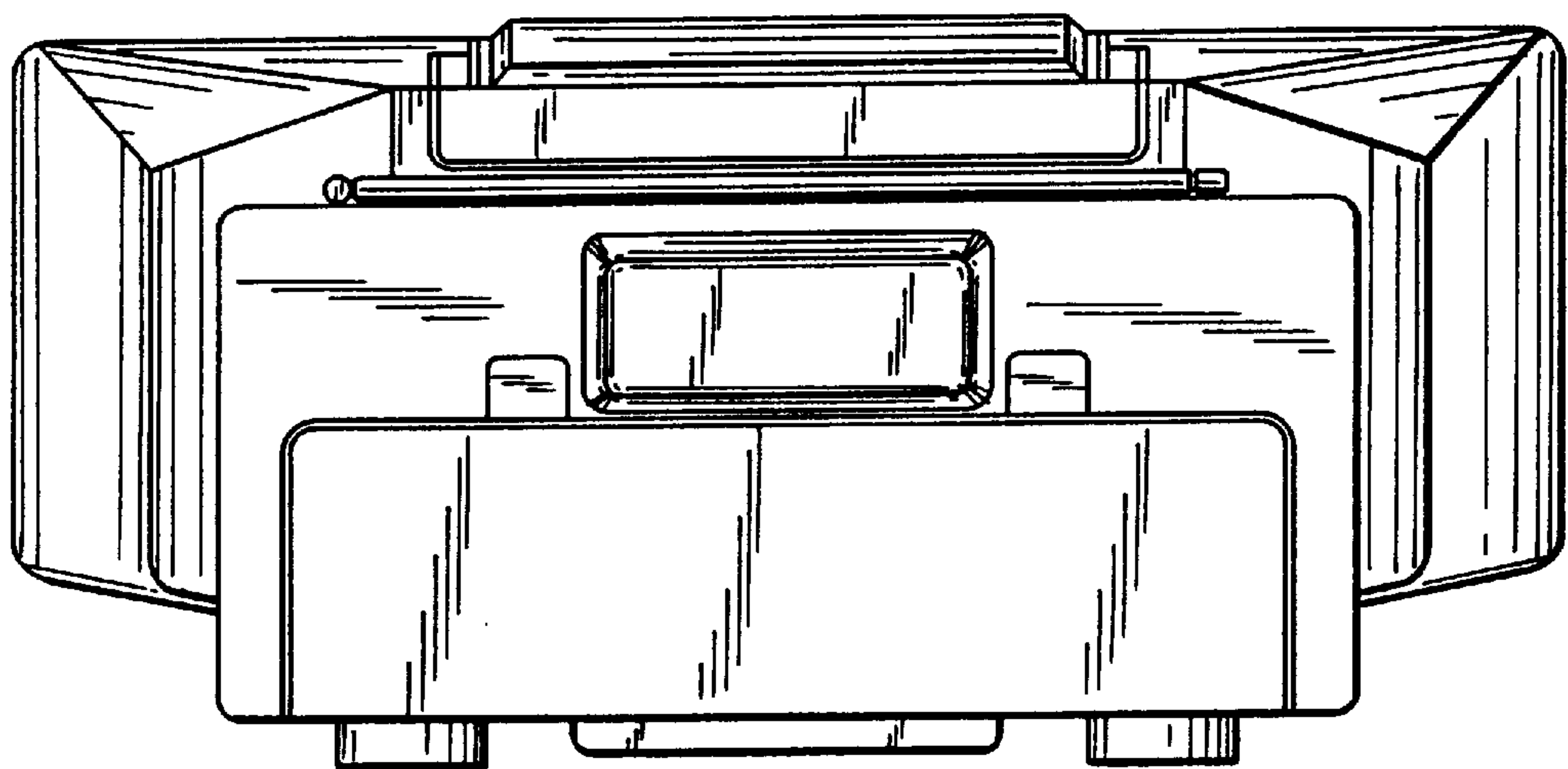


FIG. 6

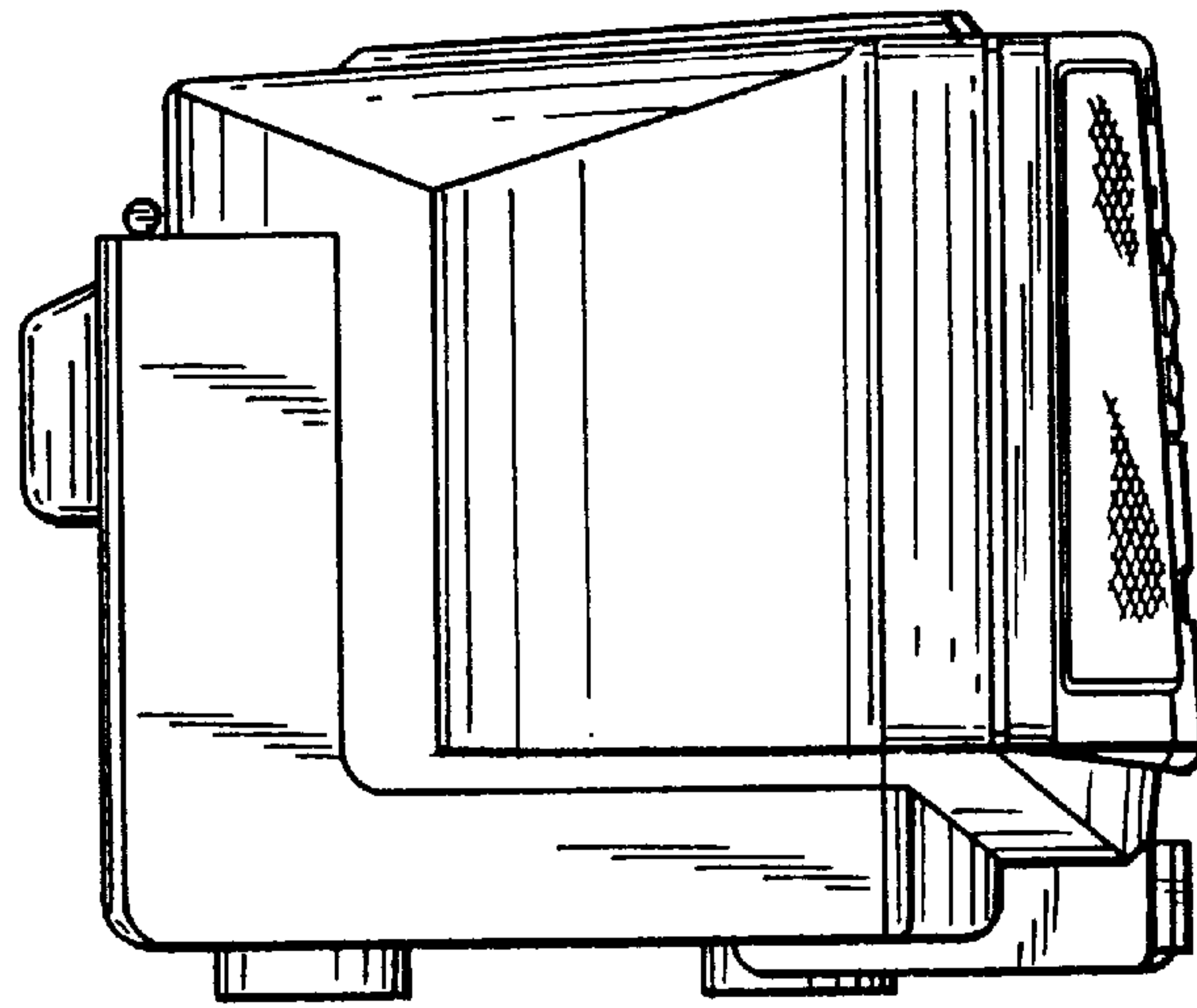


FIG. 7

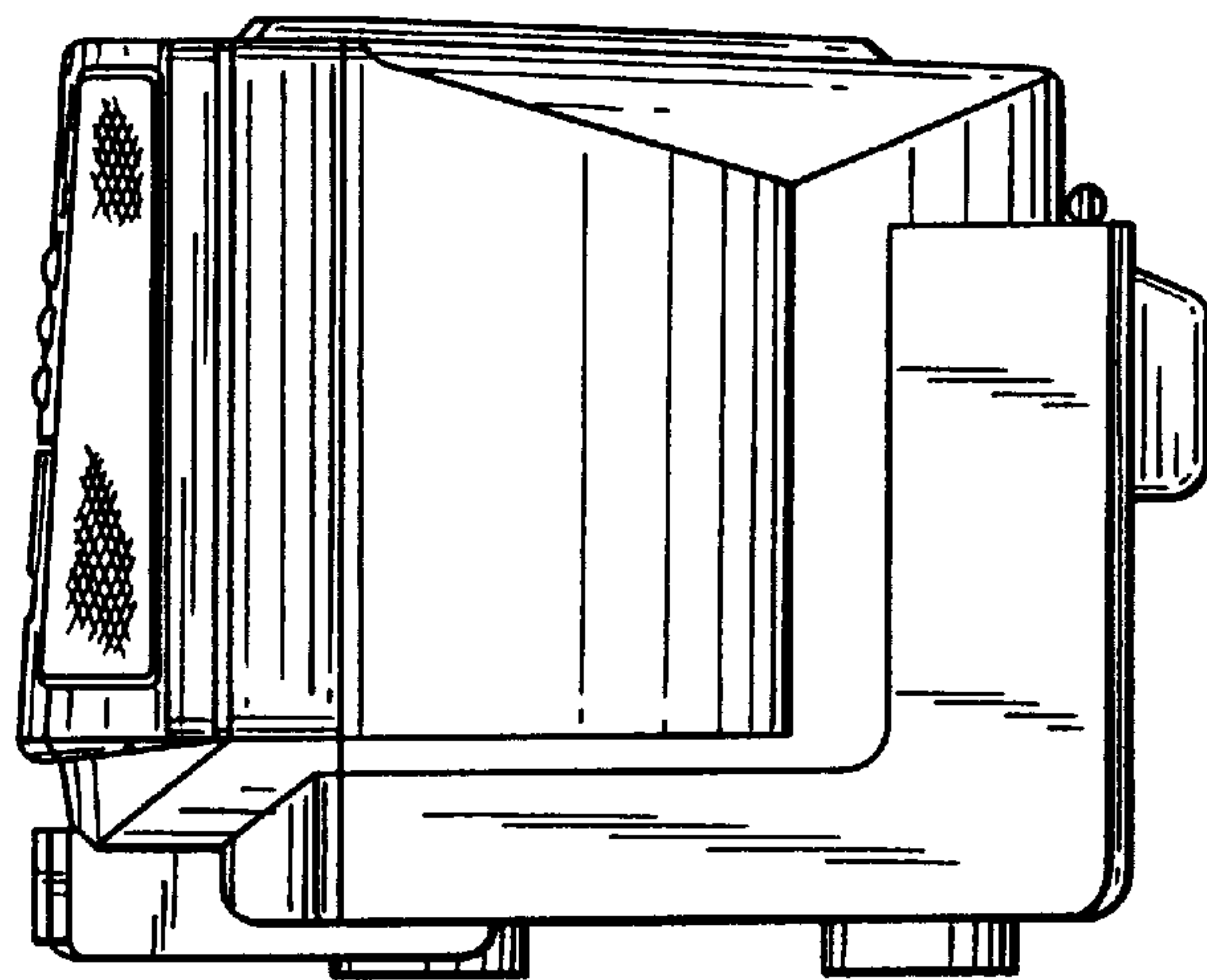


FIG. 8